

US00D502219S

(12) **United States Design Patent** (10) **Patent No.:** **US D502,219 S**  
**Shova et al.** (45) **Date of Patent:** **\*\* Feb. 22, 2005**

(54) **CAP FOR WRITING INSTRUMENT OR CONTAINER**

(75) Inventors: **Bryan Martin Shova**, Columbus, OH (US); **Donald James Staufenberg**, Dublin, OH (US); **Joshua Michael Broehl**, Worthington, OH (US)

(73) Assignee: **Elmer's Investments, LLC**, Wilmington, DE (US)

(\*\*) Term: **14 Years**

(21) Appl. No.: **29/190,821**

(22) Filed: **Sep. 26, 2003**

(51) **LOC (7) Cl.** ..... **19-06**

(52) **U.S. Cl.** ..... **D19/57; D19/51; D19/66; D9/454**

(58) **Field of Search** ..... D28/7, 76, 88; D9/454; D19/35, 36, 41-51, 53-58, 66, 81-85; 401/98, 202, 198, 213, 243-247, 262, 217

(56) **References Cited**

**U.S. PATENT DOCUMENTS**

D158,051 S	*	4/1950	Compas	.....	D19/66
2,571,620 A	*	10/1951	Sala	.....	401/217
3,345,674 A	*	10/1967	De Groft	.....	401/198
D243,886 S	*	3/1977	Rho	.....	D28/7
D327,707 S	*	7/1992	Katami	.....	D19/49
D390,785 S		2/1998	Saunders et al.	.....	D9/523
D390,786 S		2/1998	Saunders et al.	.....	D9/523
6,066,689 A		5/2000	Spiros et al.	.....	524/322
D448,121 S	*	9/2001	Gebb et al.	.....	D28/88
D465,519 S	*	11/2002	Kennedy et al.	.....	D19/43
D466,934 S	*	12/2002	Schung	.....	D19/50
D470,052 S		2/2003	Klutts	.....	D9/447
D493,484 S	*	7/2004	Shova et al.	.....	D19/43

**OTHER PUBLICATIONS**

“Glue-All-Precision Pens,” Elmer’s Products product literature from company website, undated.

“Craft Bond Acid Free Memory Glue Pen Carded,” Elmer’s Products product literature from company website, undated.

“Instant Crazy Glue,” Elmer’s Products product literature from company website, undated.

\* cited by examiner

*Primary Examiner*—Martie K. Holtje  
(74) *Attorney, Agent, or Firm*—Kurt L. Ehresman; Jonathan P. Miller; McNees Wallace & Nurick LLC

(57) **CLAIM**

The ornamental design for a cap for writing instrument or container, as shown and described.

**DESCRIPTION**

FIG. 1 is an exploded perspective view of a cap for writing instrument or container showing my new design;

FIG. 2 is a perspective view thereof;

FIG. 3 is a side elevational view thereof, taken in the direction of arrows 3—3 in FIG. 2, the opposite side being a mirror image thereof;

FIG. 4 is a side elevational view thereof, taken in the direction of arrows 4—4 in FIG. 2, the opposite side being a mirror image thereof;

FIG. 5 is a bottom plan view thereof, taken in the direction of arrows 5—5 in FIG. 2;

FIG. 6 is a top plan view thereof, taken in the direction of arrows 6—6 in FIG. 2;

FIG. 7 is a side elevational view thereof, taken in the direction of arrows 7—7 in FIG. 1;

FIG. 8 is a side elevational view thereof, taken in the direction of arrows 8—8 in FIG. 1;

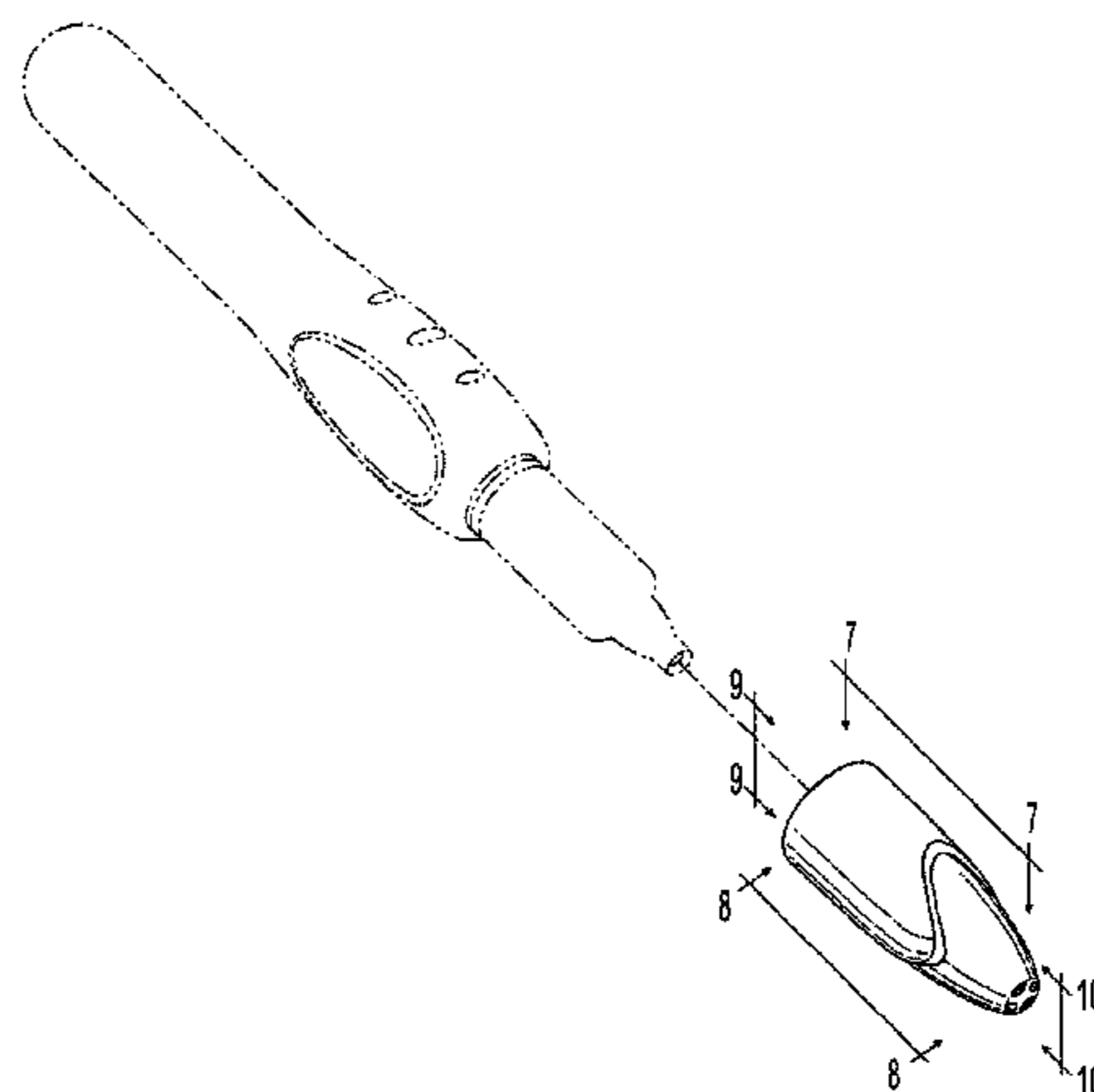
FIG. 9 is a bottom plan view thereof, taken in the direction of arrows 9—9 in FIG. 1;

FIG. 10 is a top plan view thereof, taken in the direction of arrows 10—10 in FIG. 1; and,

FIG. 11 is a second alternative perspective view thereof.

All structural features depicted by means of broken lines have been shown for illustrative purposes only and form no part of the claimed design.

**1 Claim, 4 Drawing Sheets**



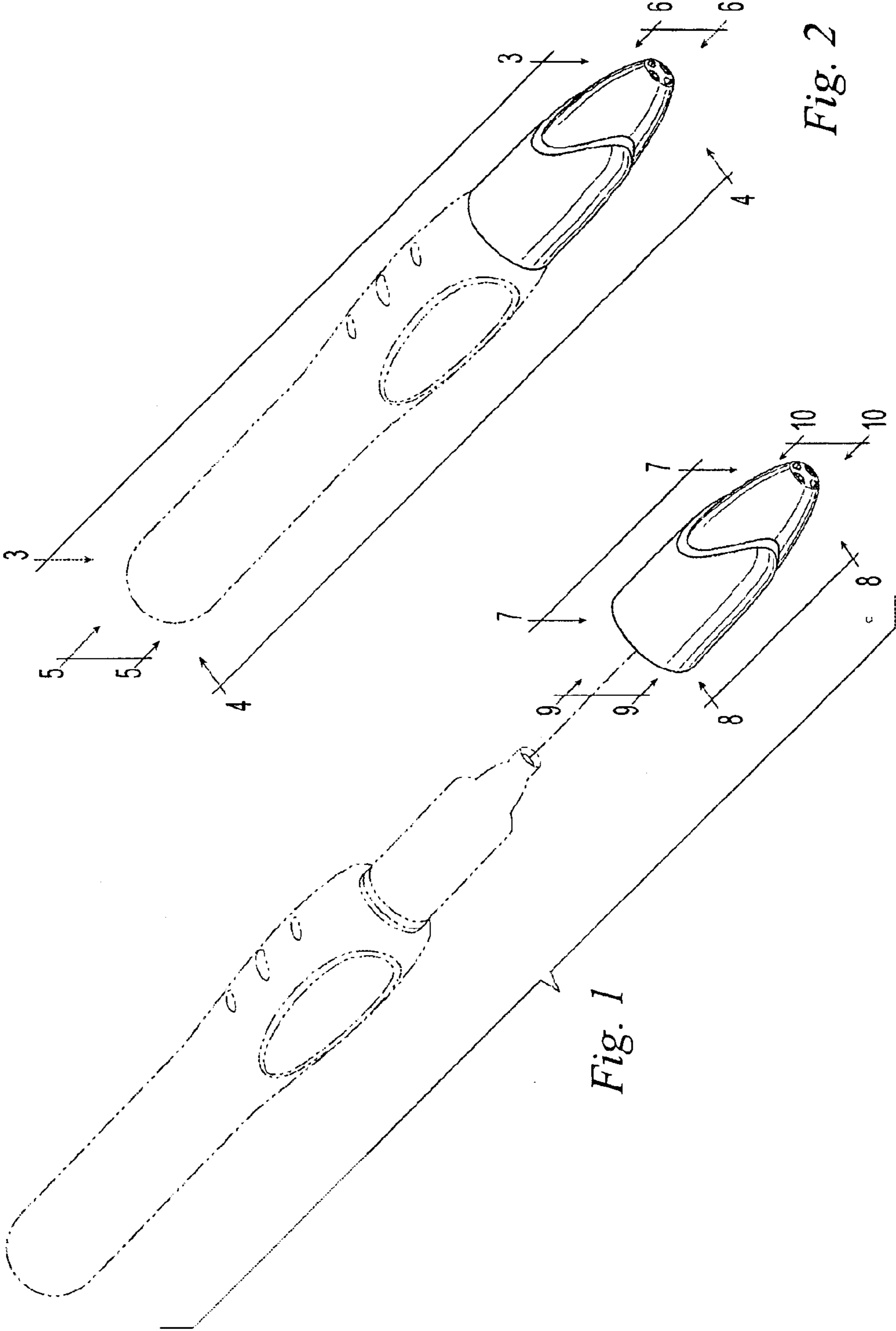


Fig. 1

Fig. 2

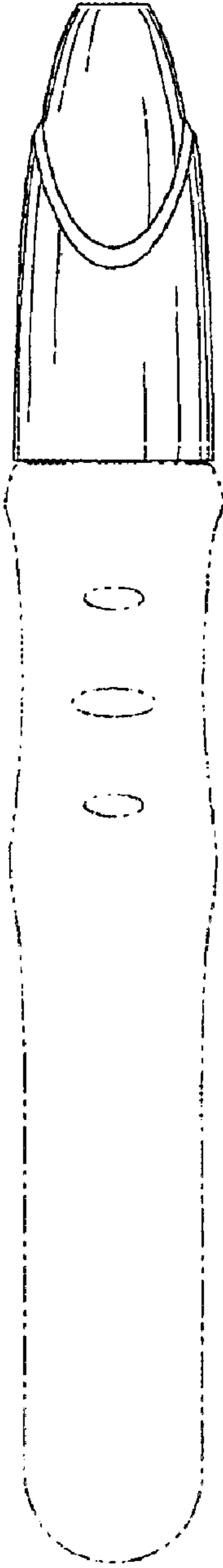


Fig. 3

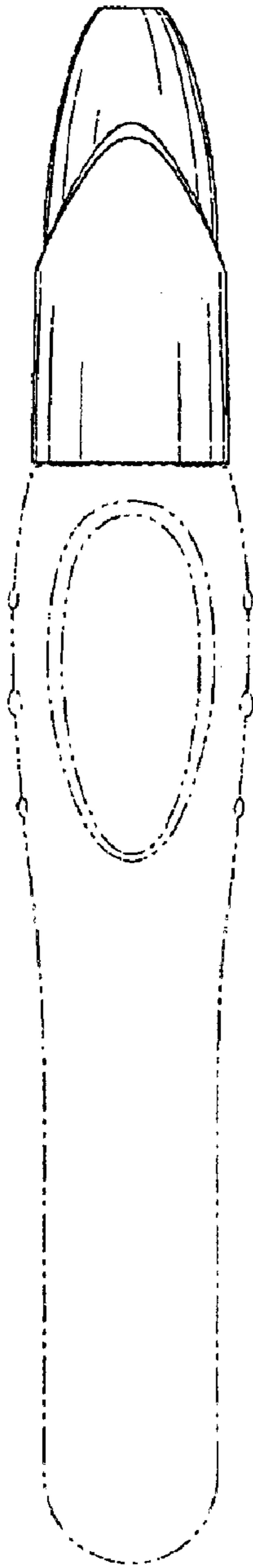


Fig. 4

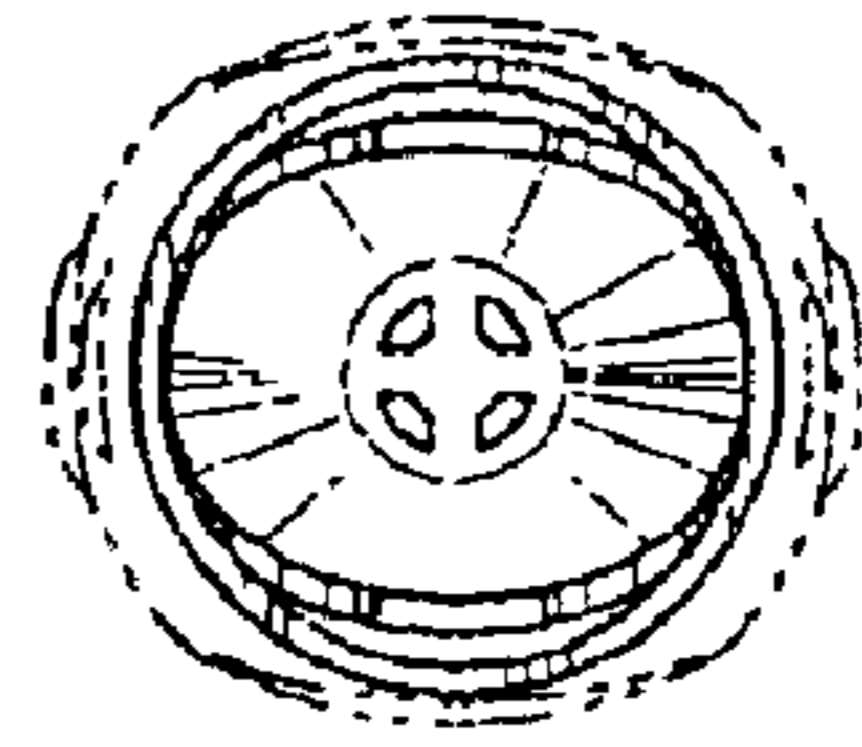


Fig. 5

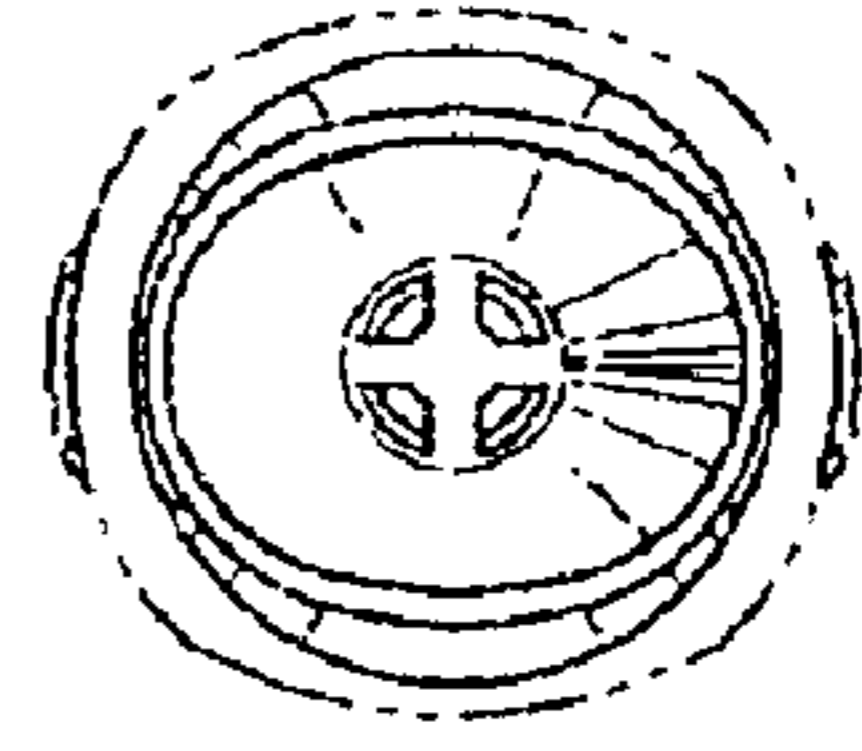


Fig. 6

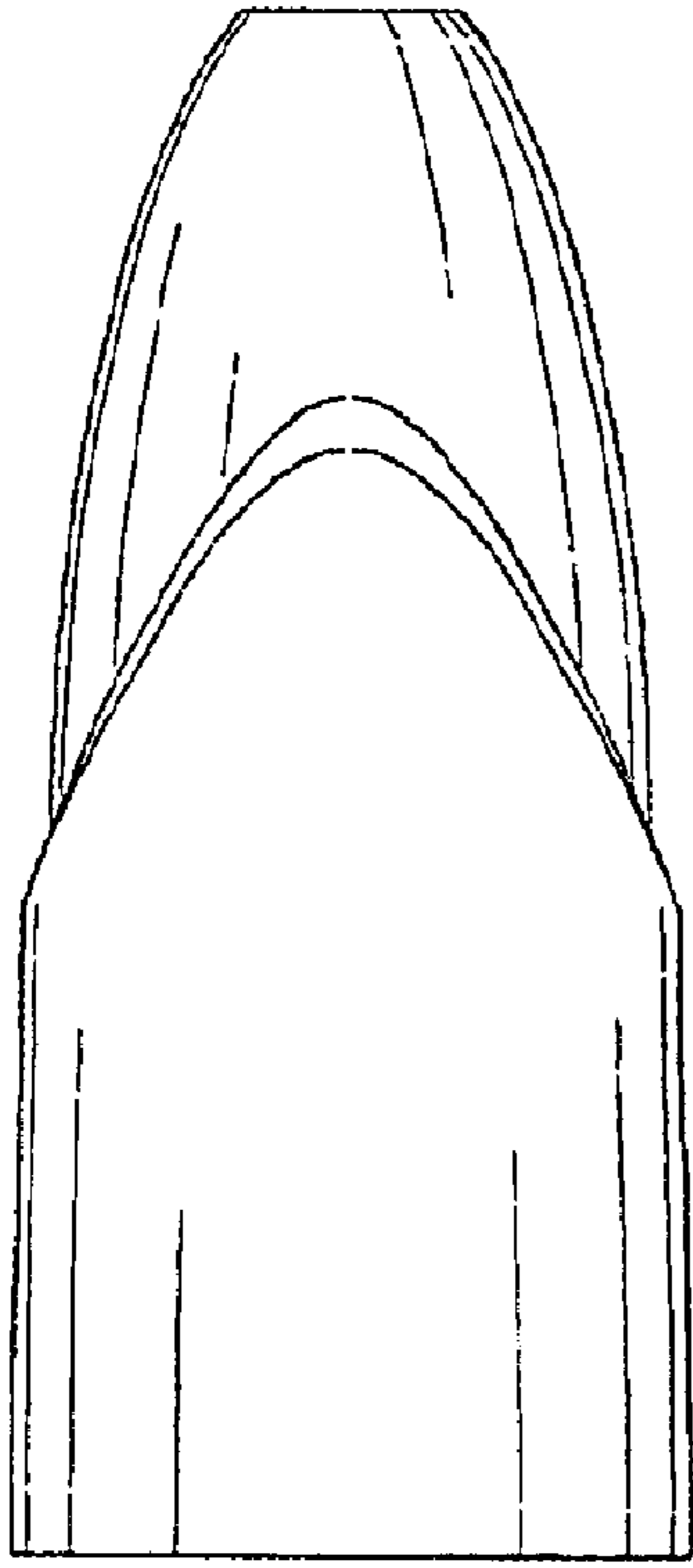


Fig. 7

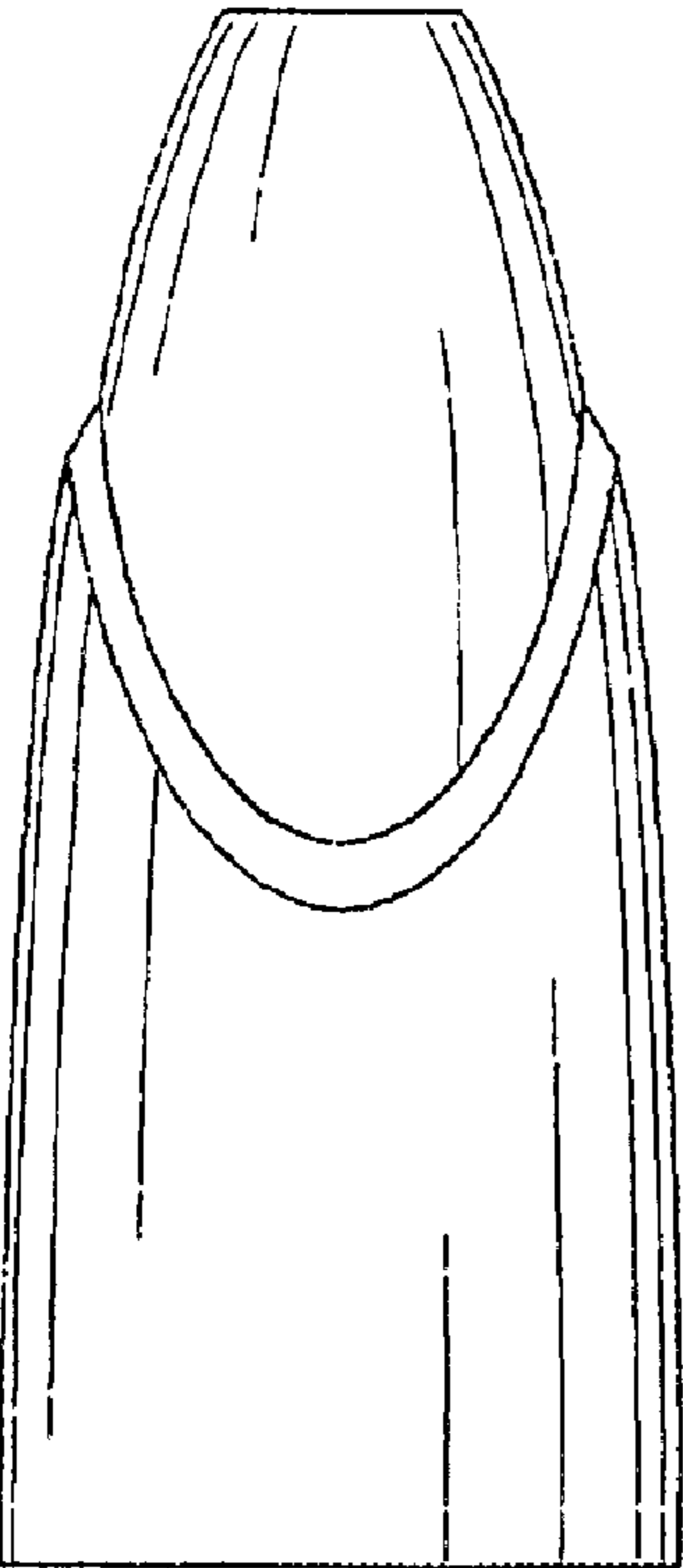


Fig. 8

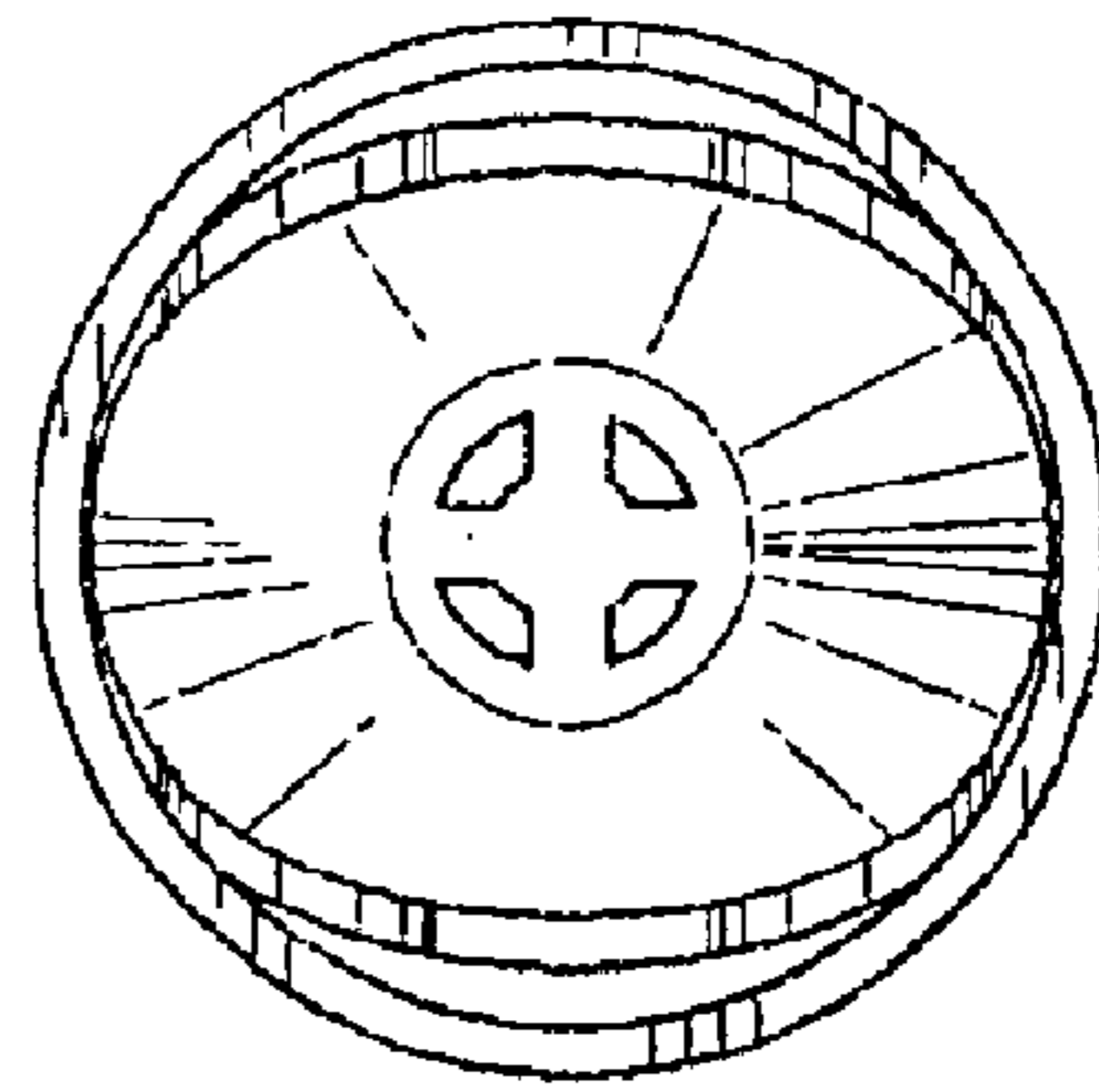


Fig. 9

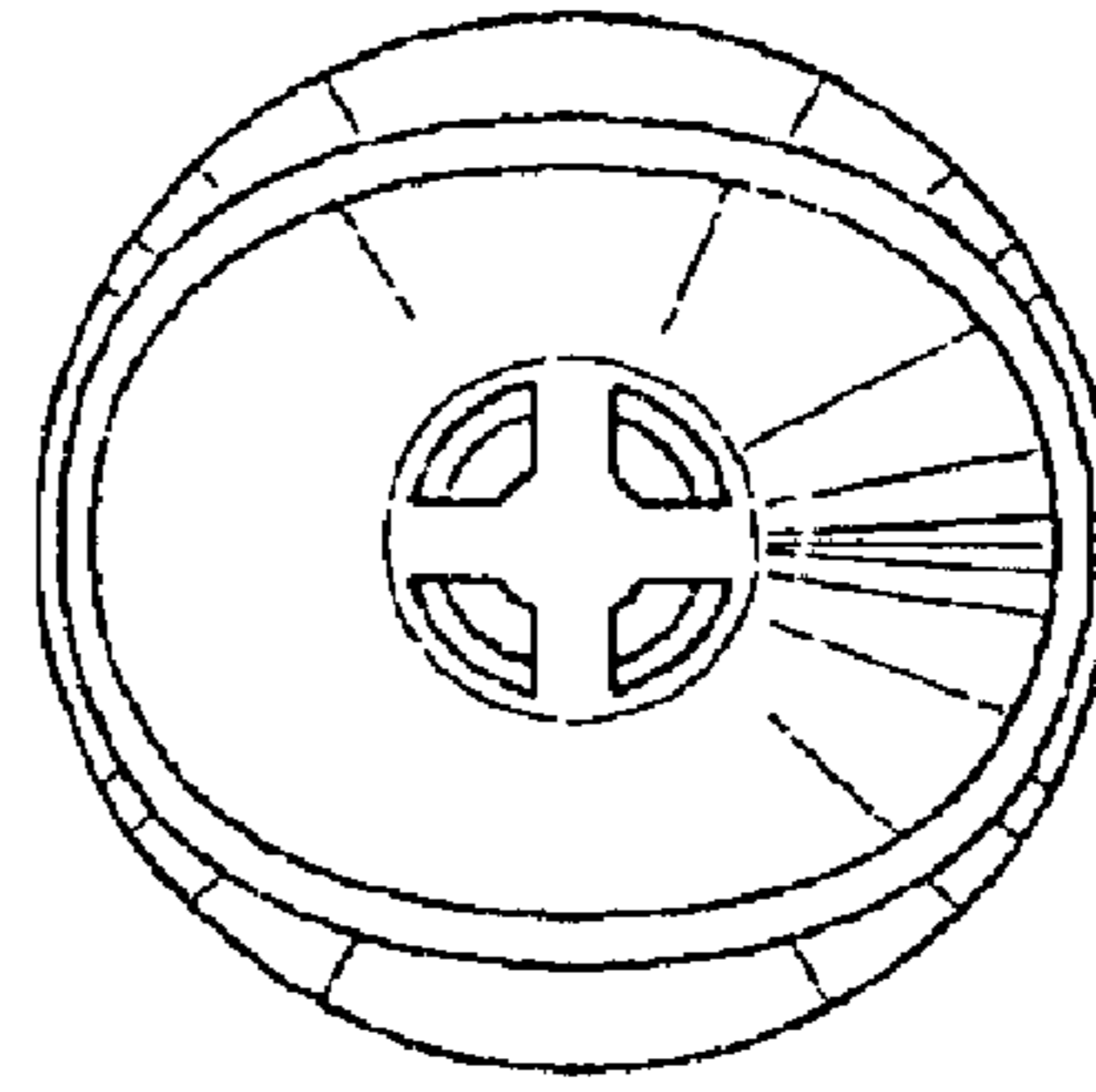
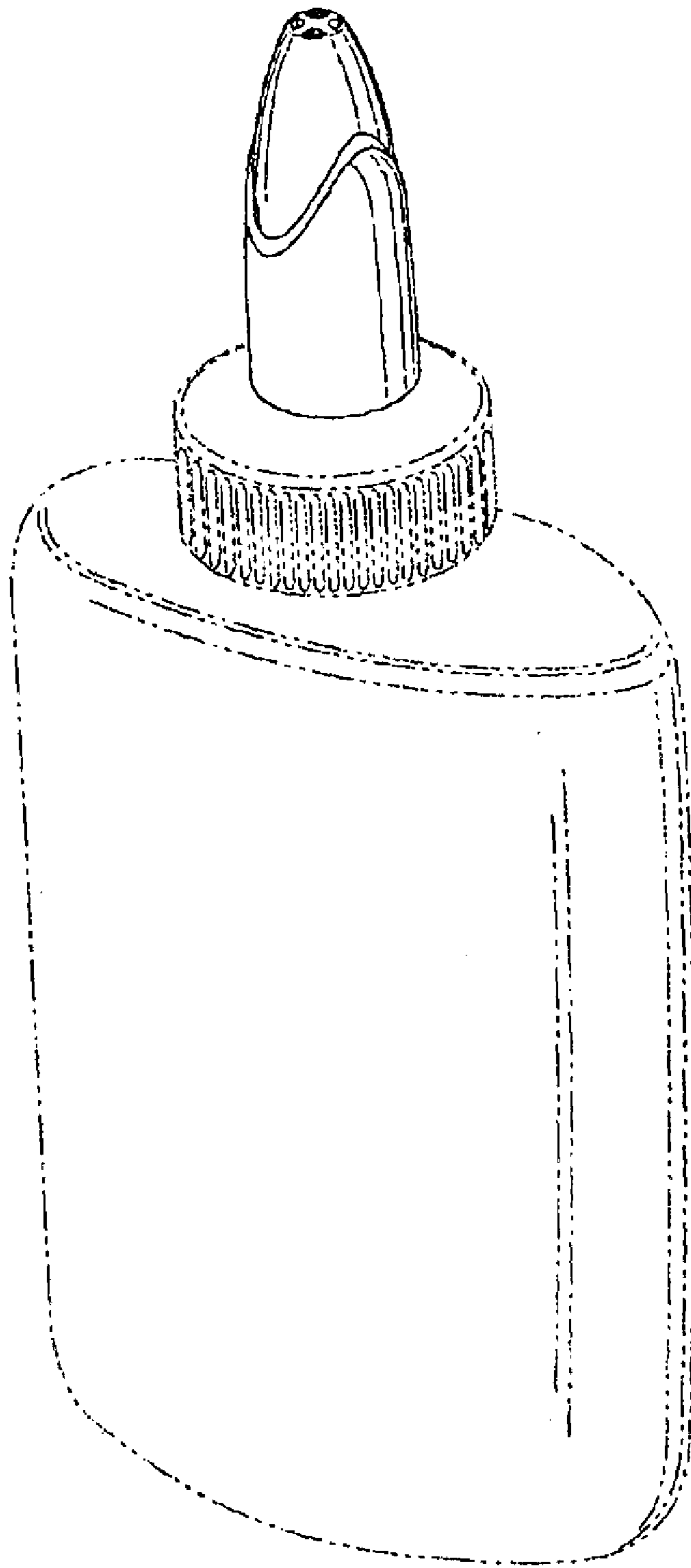


Fig. 10



*Fig. 11*