



US00D502214S

(12) **United States Design Patent**  
**Davis et al.**

(10) **Patent No.: US D502,214 S**  
(45) **Date of Patent: \*\* Feb. 22, 2005**

(54) **COMBINED PEN AND TIRE GAUGE**  
(76) Inventors: **Clifford B. Davis**, 1022 Augusta Ave.,  
Pekin, IL (US) 61554; **Jeffery K. Davis**, 806 State St., Pekin, IL (US)  
61554

(\*\*) Term: **14 Years**

(21) Appl. No.: **29/189,445**

(22) Filed: **Sep. 5, 2003**

(51) **LOC (7) Cl. .... 19-06**

(52) **U.S. Cl. .... D19/36; D19/46; D19/55;  
D10/86**

(58) **Field of Search .... D10/86, 85; D19/35,  
D19/36, 41-51, 53-58, 81-85; 401/6, 7,  
88, 99-117, 209, 52, 195; 33/836, 203.11;  
15/105; 73/146.3, 146.8, 714, 715**

(56) **References Cited**

**U.S. PATENT DOCUMENTS**

|           |   |   |         |            |       |        |
|-----------|---|---|---------|------------|-------|--------|
| 1,647,536 | A | * | 11/1927 | Miller     | ..... | 401/88 |
| 2,619,727 | A | * | 12/1952 | Krohn, Jr. | ..... | 33/836 |
| 2,654,156 | A | * | 10/1953 | Boyer      | ..... | 33/836 |
| 3,269,019 | A |   | 8/1966  | Krohn      |       |        |
| 3,352,018 | A | * | 11/1967 | Mazeika    | ..... | 33/836 |
| 3,380,296 | A |   | 4/1968  | Malanga    |       |        |
| D211,540  | S | * | 6/1968  | Malanga    | ..... | D10/86 |

|           |   |   |         |                   |       |          |
|-----------|---|---|---------|-------------------|-------|----------|
| D258,454  | S | * | 3/1981  | Echevarria et al. | ..... | D19/42   |
| 4,501,142 | A | * | 2/1985  | Huang             | ..... | 73/146.8 |
| D280,215  | S |   | 8/1985  | Huang             |       |          |
| D286,270  | S |   | 10/1986 | Huang             |       |          |
| 5,117,684 | A | * | 6/1992  | Hwang             | ..... | 73/146.8 |
| D444,171  | S | * | 6/2001  | McCullough        | ..... | D19/42   |

\* cited by examiner

*Primary Examiner*—Martie K. Holtje

(74) *Attorney, Agent, or Firm*—Golden's M&I; James B. Golden

(57) **CLAIM**

The ornamental design for a combined pen and tire gauge, as shown and described.

**DESCRIPTION**

FIG. 1 is a perspective view of a combined pen and tire gauge showing our new design, the broken line showing of a clip is environmental only and forms no part of the claimed design;

FIG. 2 is a front view of the design shown in FIG. 1;

FIG. 3 is a rear view of the design shown in FIG. 1;

FIG. 4 is a left side view of the design shown in FIG. 1;

FIG. 5 is a right side view of the design shown in FIG. 1;

FIG. 6 is a top view of the design shown in FIG. 1; and,

FIG. 7 is a bottom view of the design shown in FIG. 1.

**1 Claim, 1 Drawing Sheet**

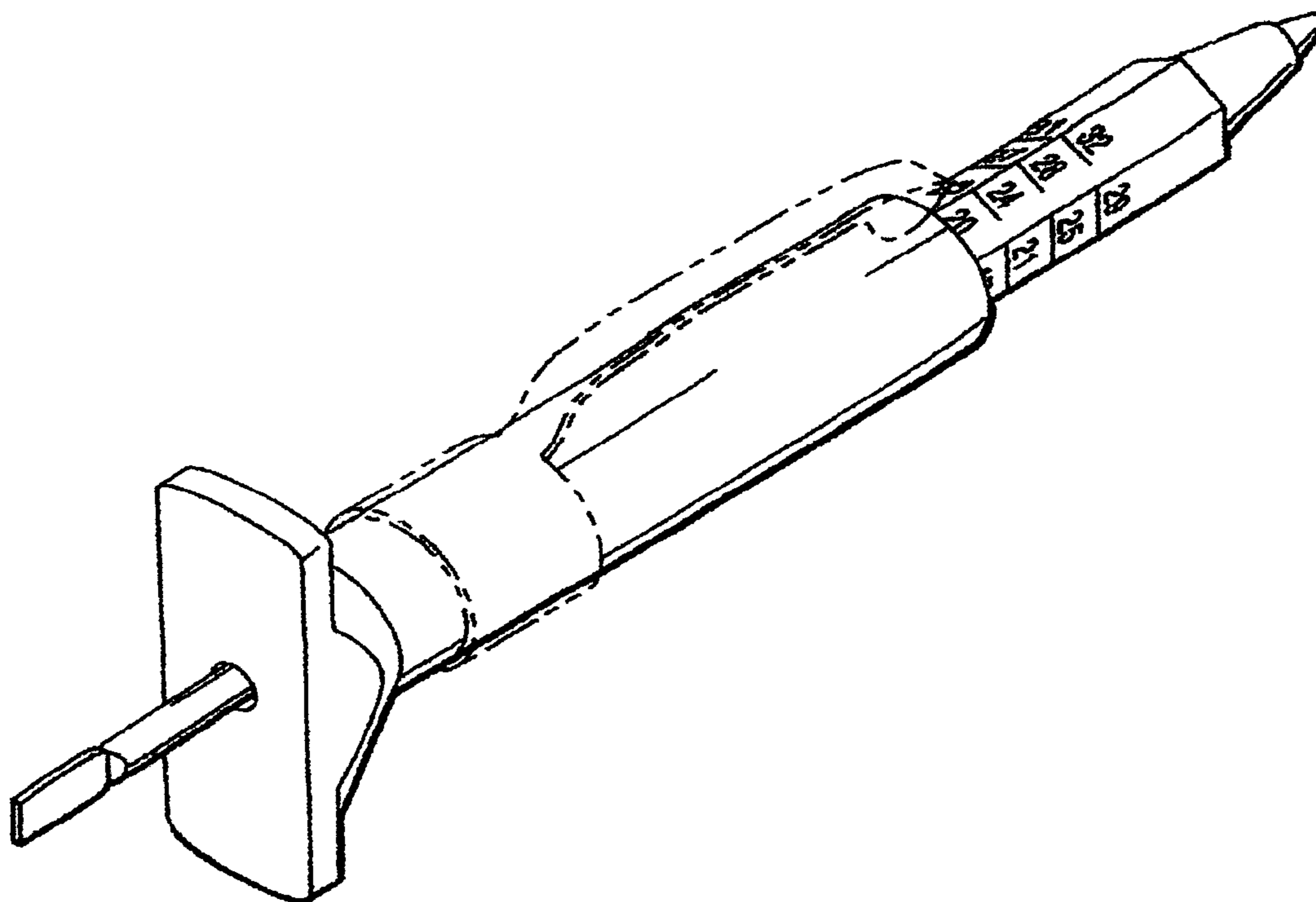


FIG. 1.

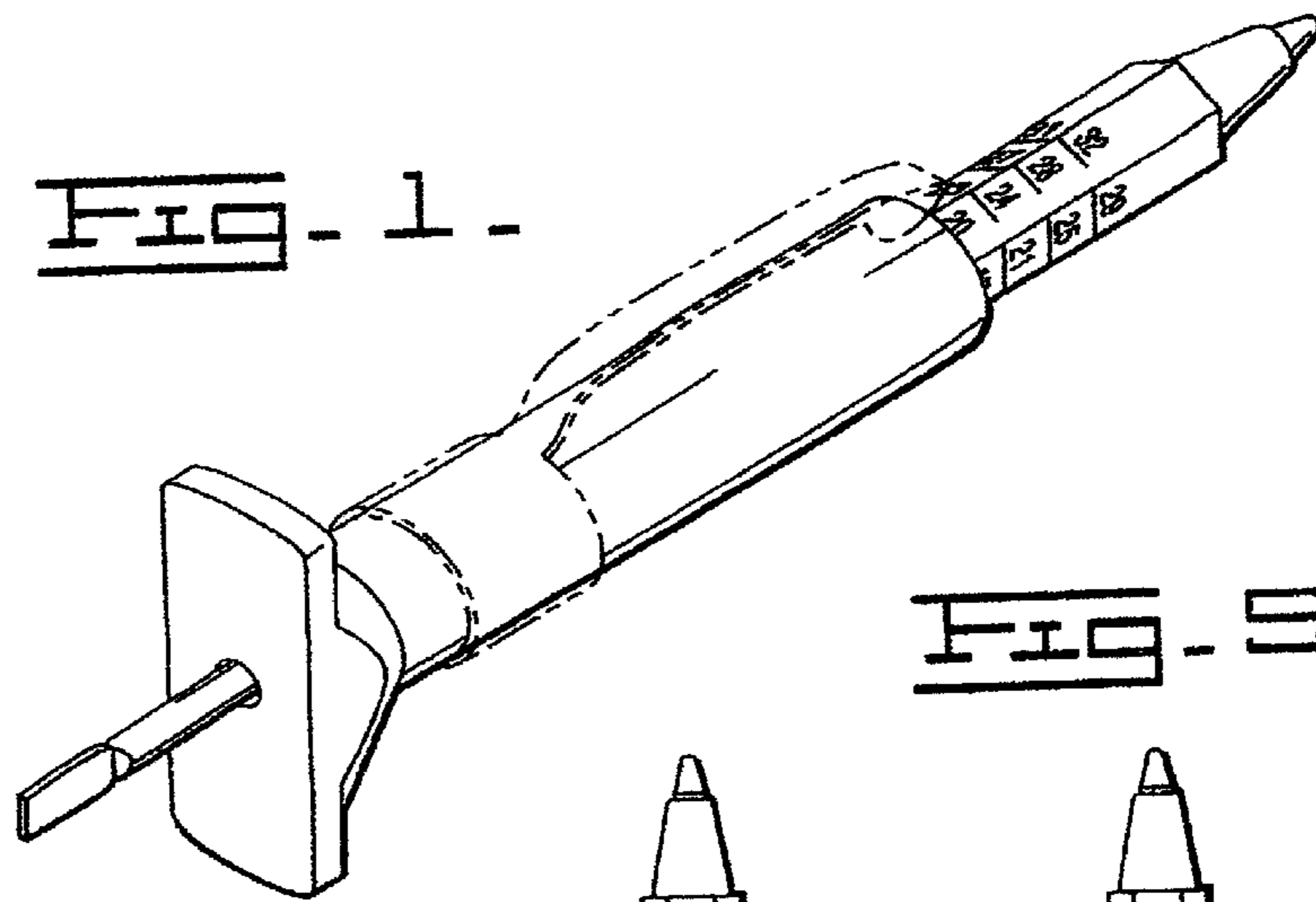


FIG. 5.

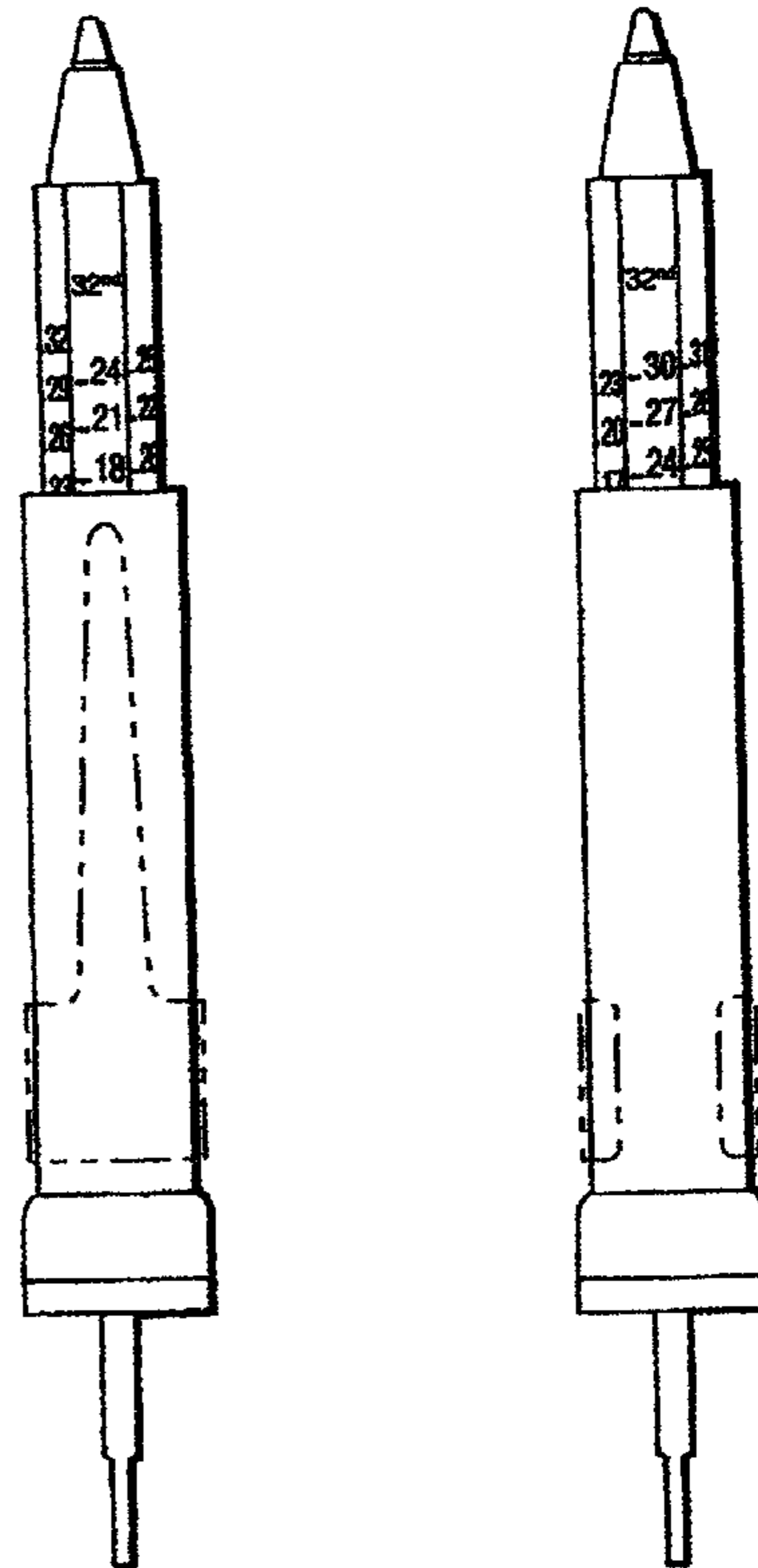


FIG. 3.

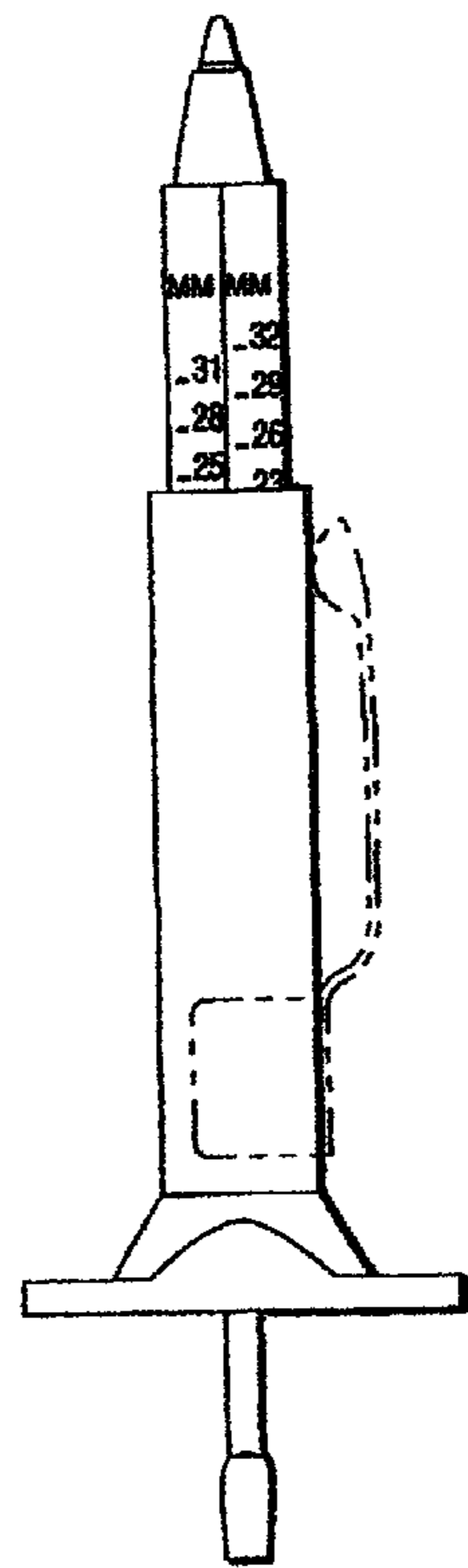


FIG. 4.

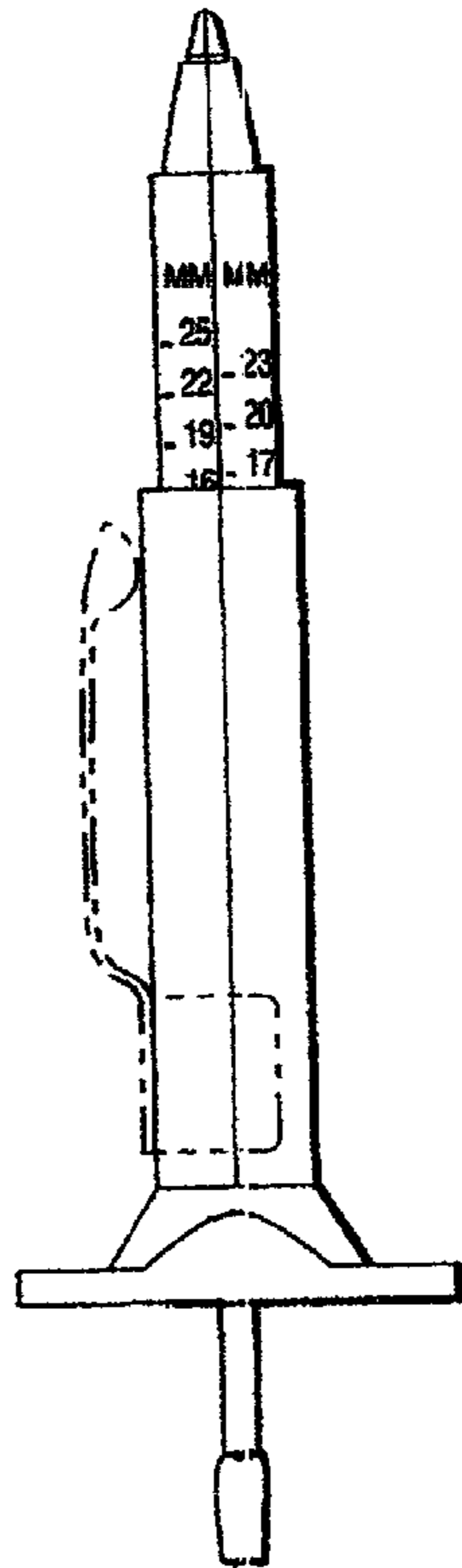


FIG. 2.



FIG. 6.

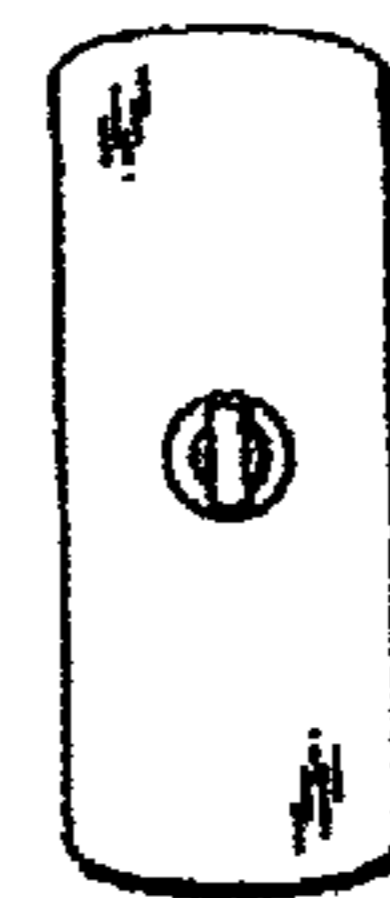


FIG. 7.