

US00D502211S

(12) **United States Design Patent**  
**Hattori**

(10) **Patent No.:** **US D502,211 S**

(45) **Date of Patent:** **\*\* Feb. 22, 2005**

(54) **PRINTER WITH COPYING FUNCTION**

(75) Inventor: **Mitsuharu Hattori, Nagoya (JP)**

(73) Assignee: **Brother Industries, Limited, Nagoya (JP)**

(\*\*) Term: **14 Years**

(21) Appl. No.: **29/185,382**

(22) Filed: **Jun. 27, 2003**

(30) **Foreign Application Priority Data**

Jan. 7, 2003 (JP) ..... 2003-000128

(51) **LOC (7) Cl.** ..... **14-02**

(52) **U.S. Cl.** ..... **D18/50; D18/41**

(58) **Field of Search** ..... D18/19, 36-41,  
D18/50, 53, 54, 54.1, 55; D14/420-425,  
462-470, 349; 400/613, 613.1, 613.4, 690.1-690.4,  
691-694

(56) **References Cited**

**U.S. PATENT DOCUMENTS**

D350,741 S \* 9/1994 Chen ..... D14/462  
D398,917 S \* 9/1998 Senshiki ..... D14/470

D424,104 S \* 5/2000 Rorke et al. .... D18/50  
D437,877 S \* 2/2001 Chen ..... D18/36  
D479,556 S \* 9/2003 Hattori et al. .... D18/50  
D480,732 S \* 10/2003 Hattori et al. .... D14/469  
D487,287 S \* 3/2004 Hoshiya ..... D18/50  
D491,576 S \* 6/2004 Yamaguchi ..... D14/468

\* cited by examiner

*Primary Examiner*—Cathy Anne MacCormac

(74) *Attorney, Agent, or Firm*—Oliff & Berridge, PLC

(57) **CLAIM**

The ornamental design for a printer with copying function, as shown and described.

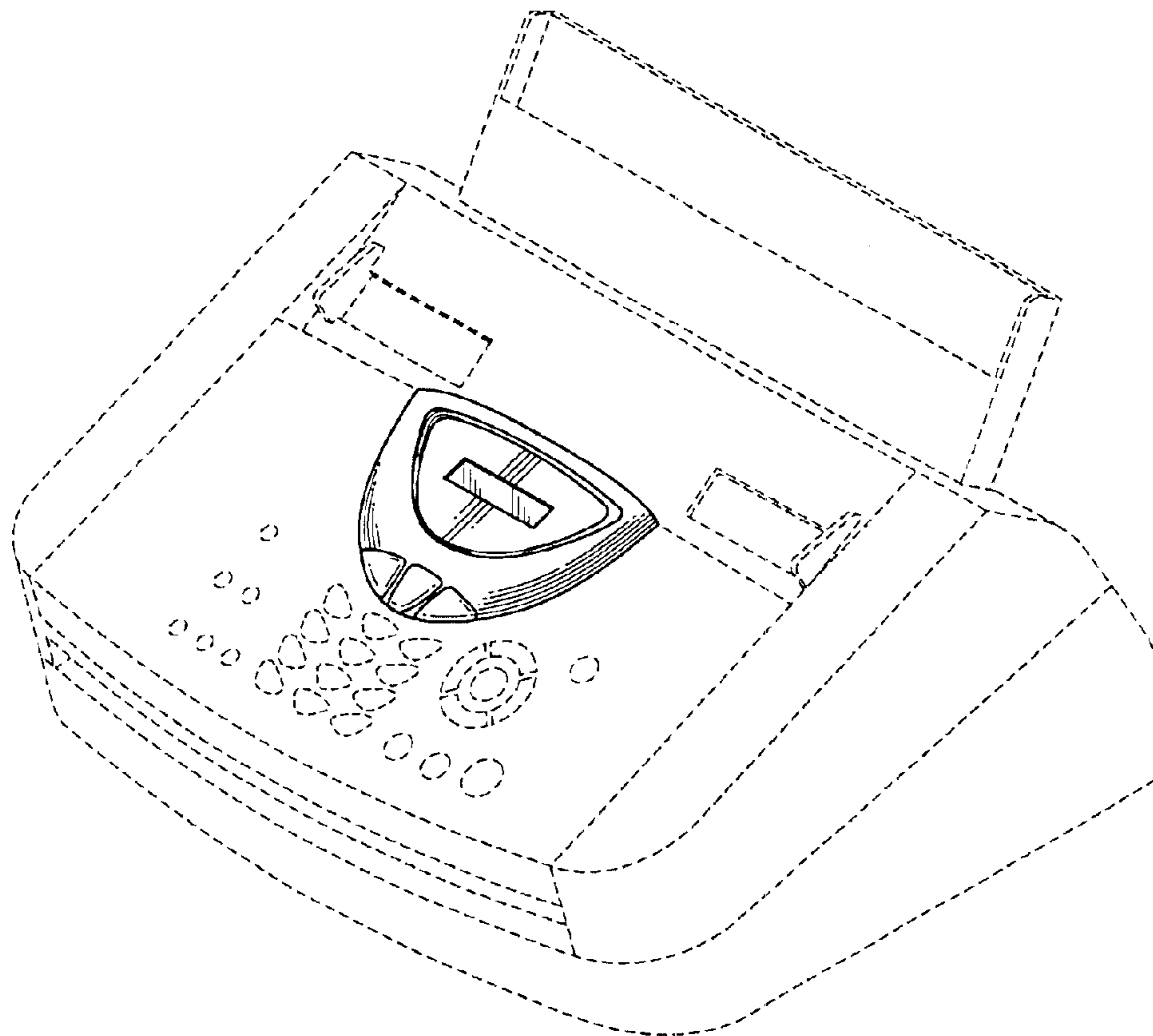
**DESCRIPTION**

FIG. 1 is a front view of a printer with a copying function; FIG. 2 is a top view thereof; FIG. 3 is a right-side view thereof; FIG. 4 is a left-side view thereof; and, FIG. 5 is a perspective view thereof.

The rear and bottom views contain no ornamentality and are omitted.

The broken lines are for illustrative purposes only and form no part of the claimed design.

**1 Claim, 3 Drawing Sheets**



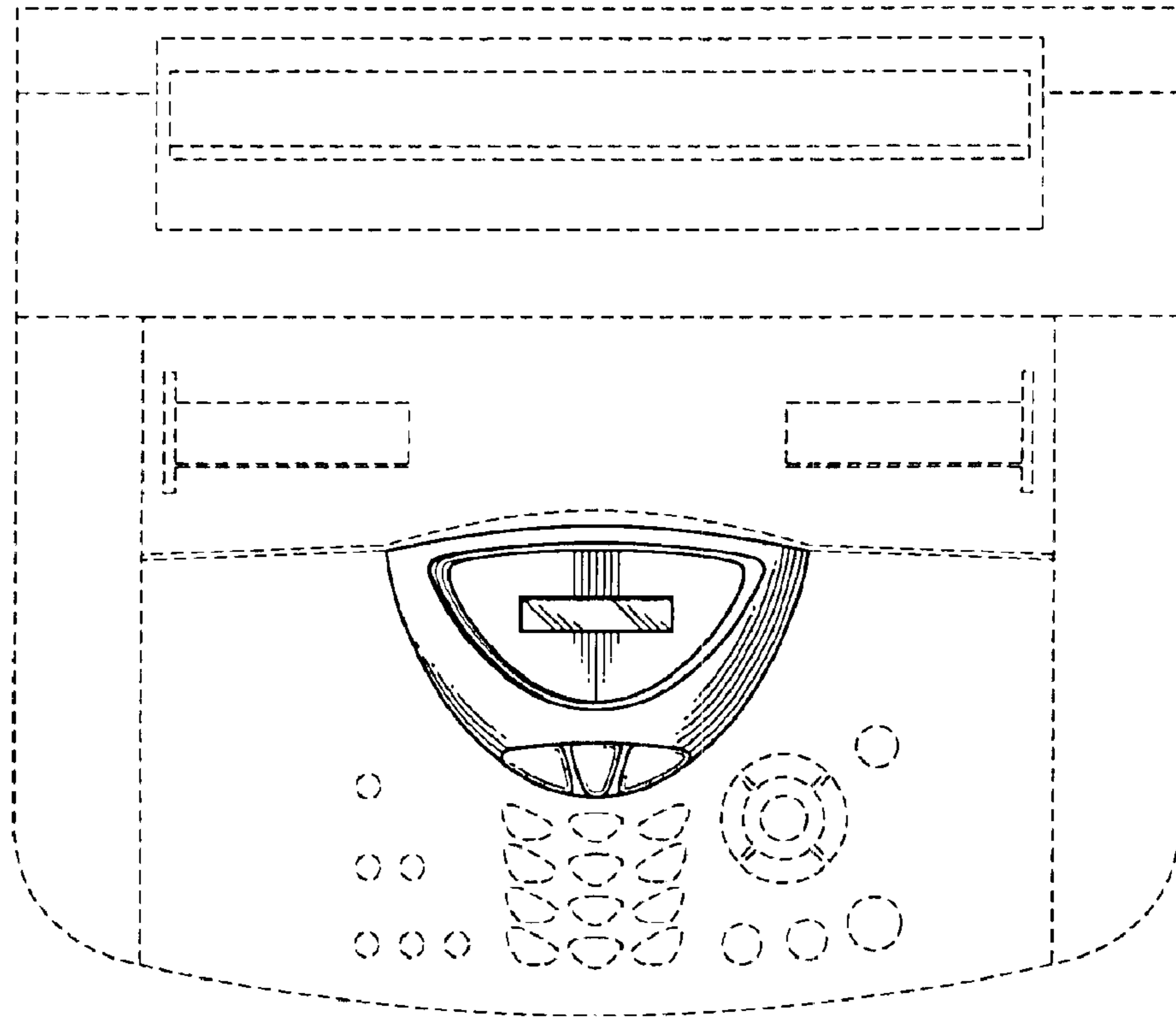


FIG. 2

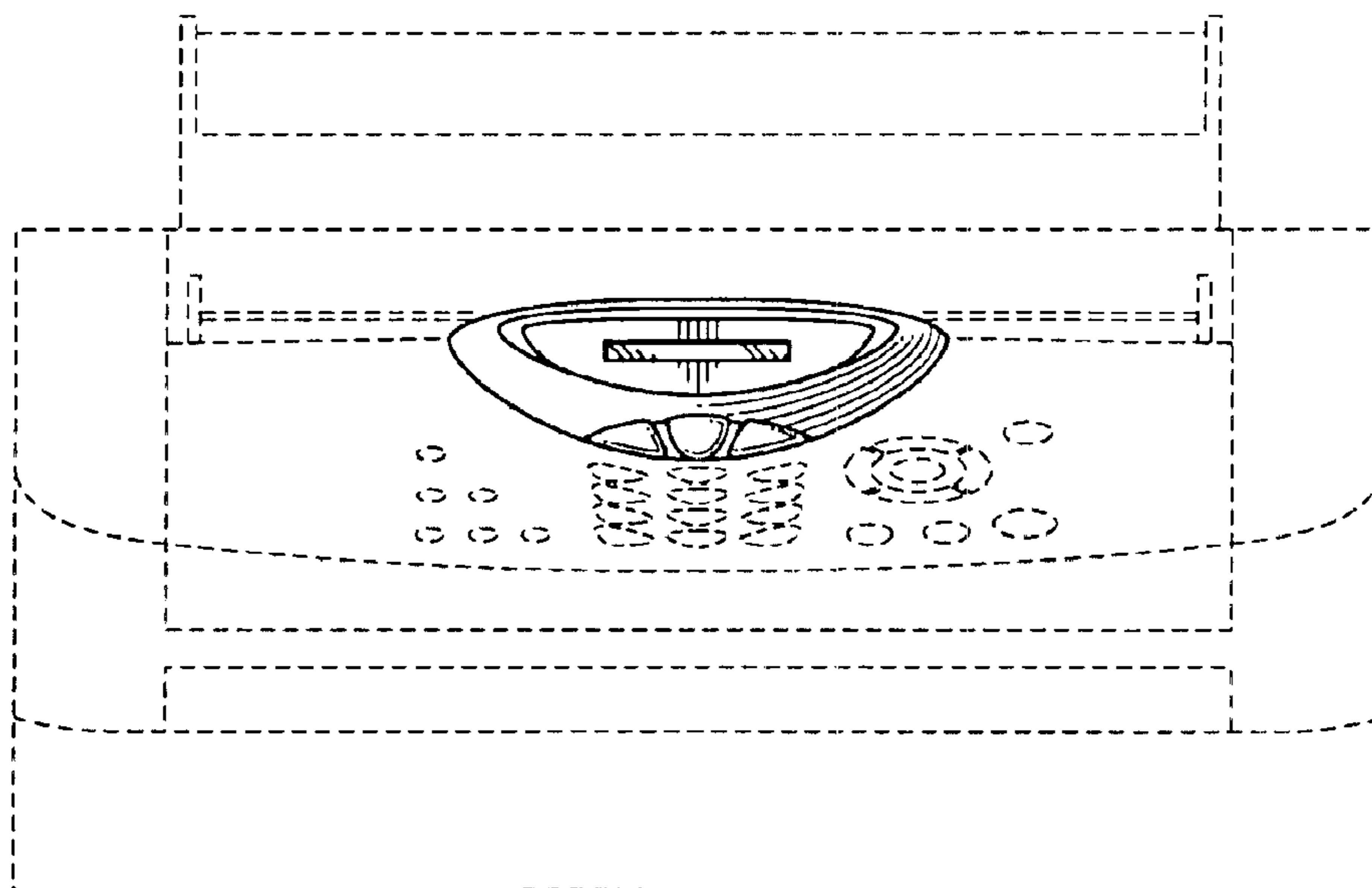


FIG. 1

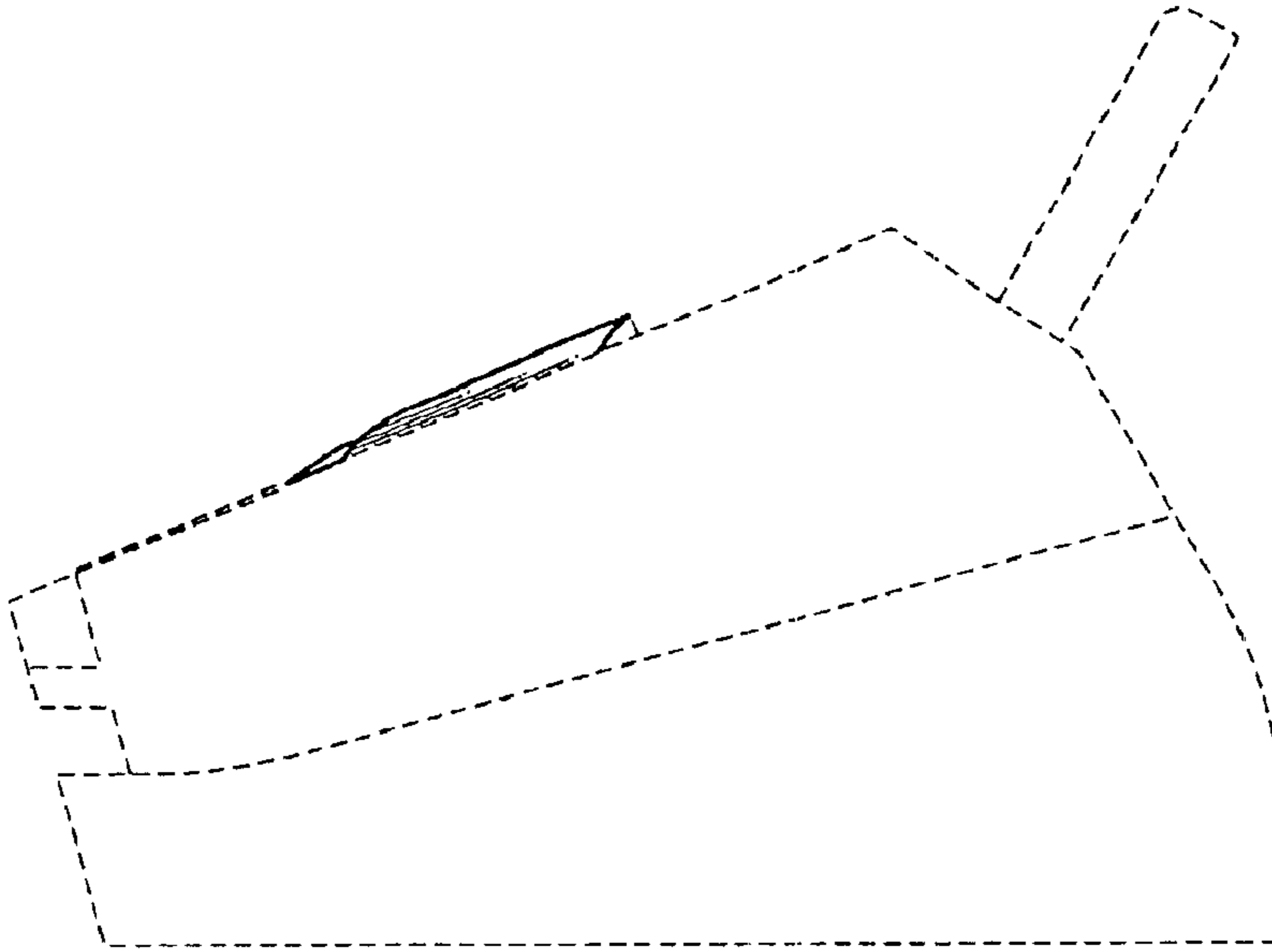


FIG. 3

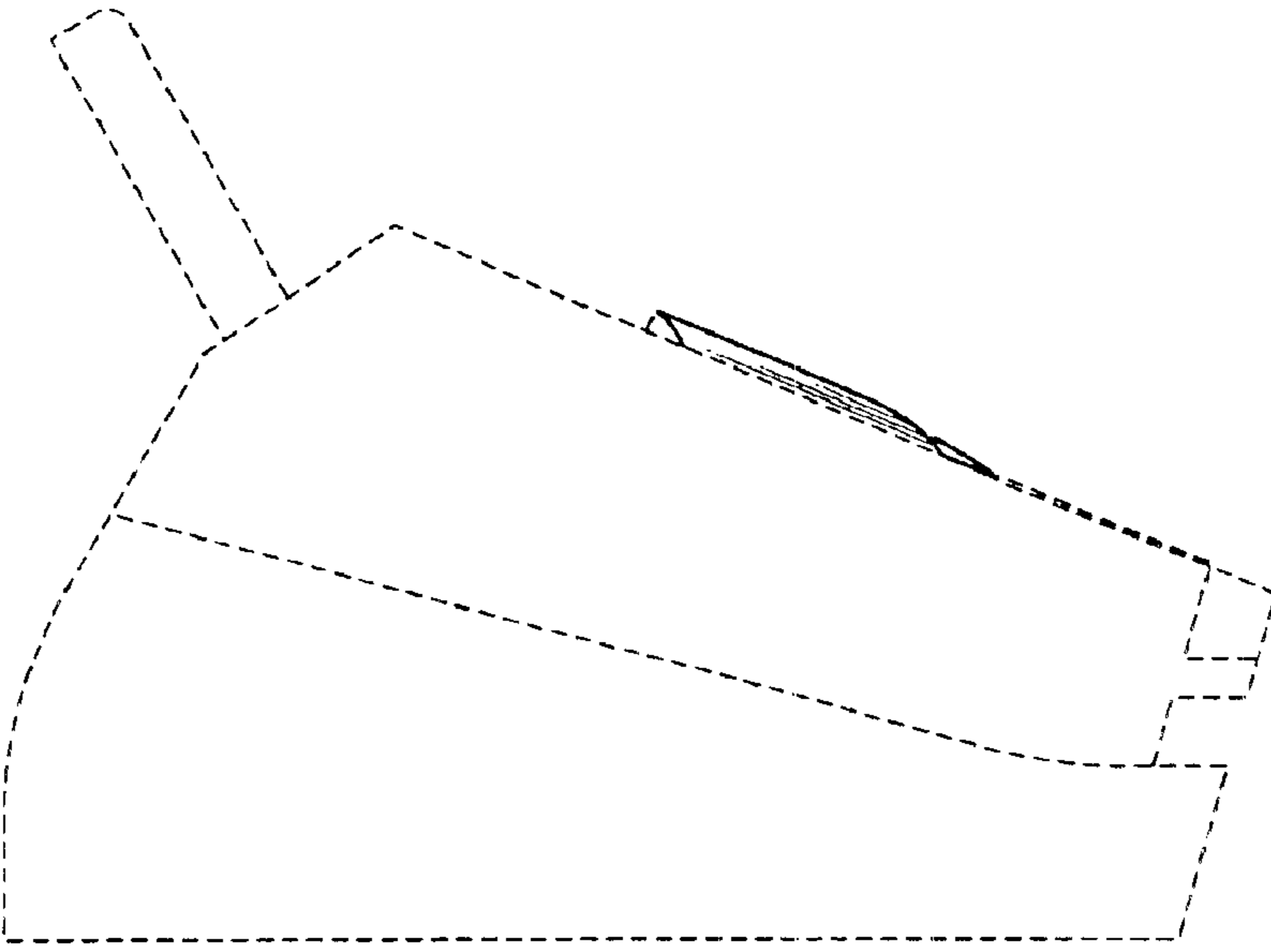


FIG. 4

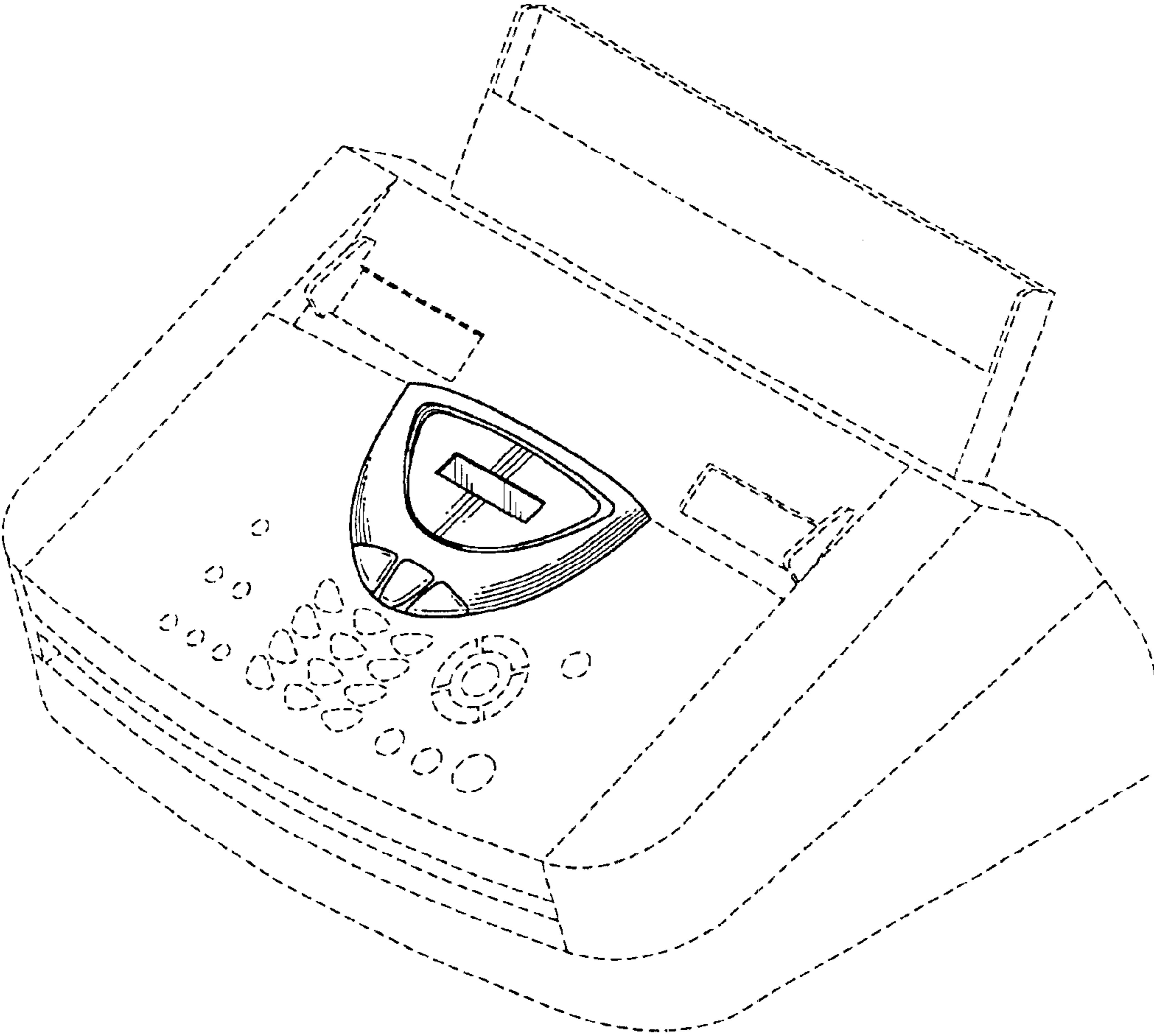


FIG. 5