



US00D502207S

(12) **United States Design Patent** (10) **Patent No.:** **US D502,207 S**
Cohen (45) **Date of Patent:** **** Feb. 22, 2005**

(54) **SHAKER**

(76) Inventor: **Wayne Cohen**, 44 Convent Road,
Silom, Bangrak (TH), 10500

(**) Term: **14 Years**

(21) Appl. No.: **29/155,774**

(22) Filed: **Feb. 15, 2002**

(51) **LOC (7) Cl.** **17-04**

(52) **U.S. Cl.** **D17/22**

(58) **Field of Search** D17/22, 99; D21/405,
D21/406; D20/11, 22, 27, 40; 84/402; 446/419,
421

(56) **References Cited**

U.S. PATENT DOCUMENTS

2,318,460	A	*	5/1943	Brief	446/419
D139,510	S	*	11/1944	Allen	D21/406
D139,511	S	*	11/1944	Allen	D21/406
2,484,159	A	*	10/1949	Flynn, Jr.	446/422
D277,111	S	*	1/1985	Gordon	D20/11
D277,112	S	*	1/1985	Gordon	D20/11
D428,298	S	*	7/2000	Cohen	D7/300.2
D449,332	S	*	10/2001	Cohen	D17/22
D459,749	S	*	7/2002	Cohen	D17/22
D459,750	S	*	7/2002	Cohen	D17/22
D463,482	S	*	9/2002	Cohen	D17/22

* cited by examiner

Primary Examiner—Ruth McInroy

(74) *Attorney, Agent, or Firm*—Baker Botts LLP

(57) **CLAIM**

The ornamental design for a shaker, as shown and described.

DESCRIPTION

FIG. 1 is a first side view of a shaker showing my new design;

FIG. 2 is a second side view thereof;

FIG. 3 is a top view thereof;

FIG. 4 is a bottom view thereof;

FIG. 5 is a first side view of a second embodiment thereof;

FIG. 6 is a second side view of FIG. 5;

FIG. 7 is a top view of FIG. 5;

FIG. 8 is a bottom view of FIG. 5;

FIG. 9 is a first side view of a third embodiment thereof;

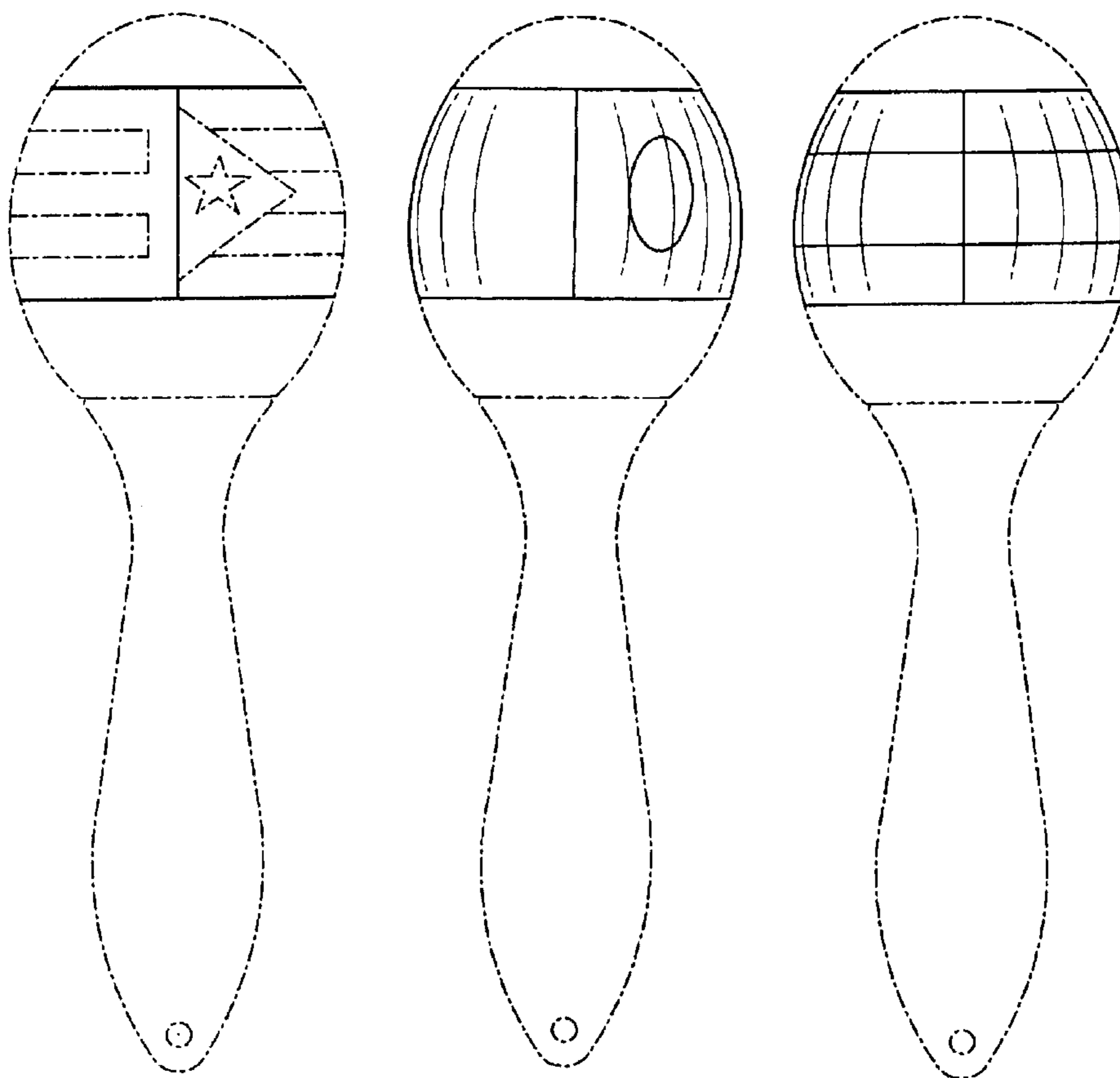
FIG. 10 is a second side view of FIG. 9;

FIG. 11 is a top view of FIG. 9; and,

FIG. 12 is a bottom view of FIG. 9.

The broken lines are provided for illustrative purposes only and form no part of the claimed design. In addition, the portions of the shaker that are not shown in the drawings do not form any part of the claimed design.

1 Claim, 3 Drawing Sheets



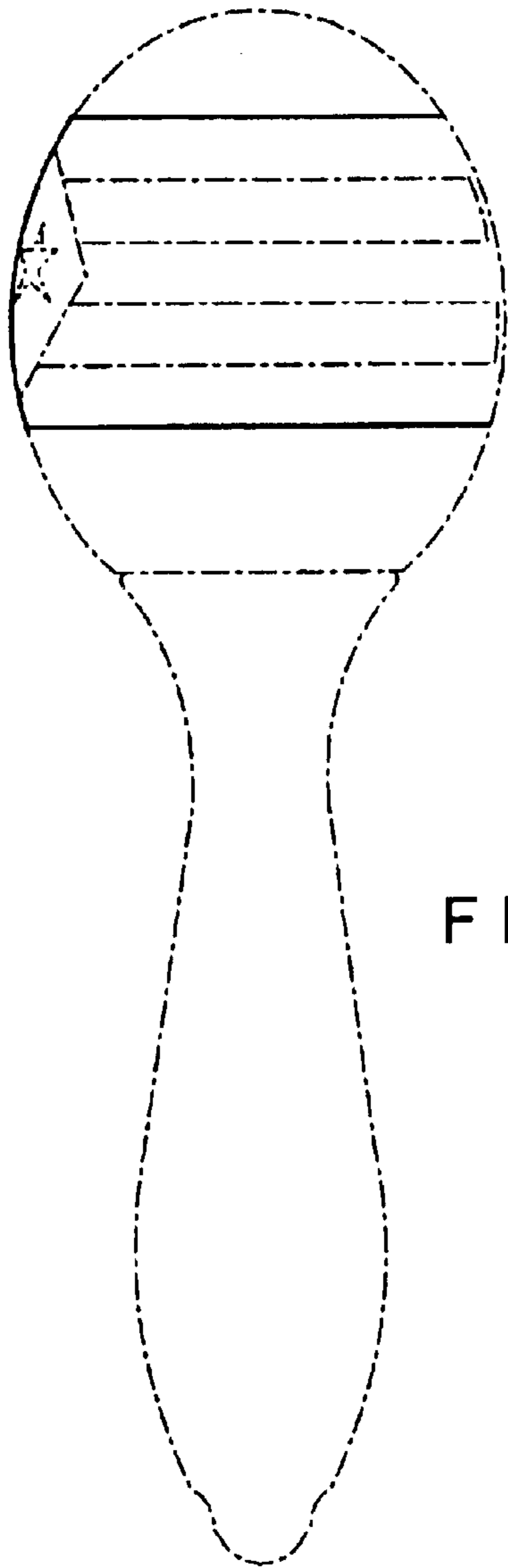


FIG. 1

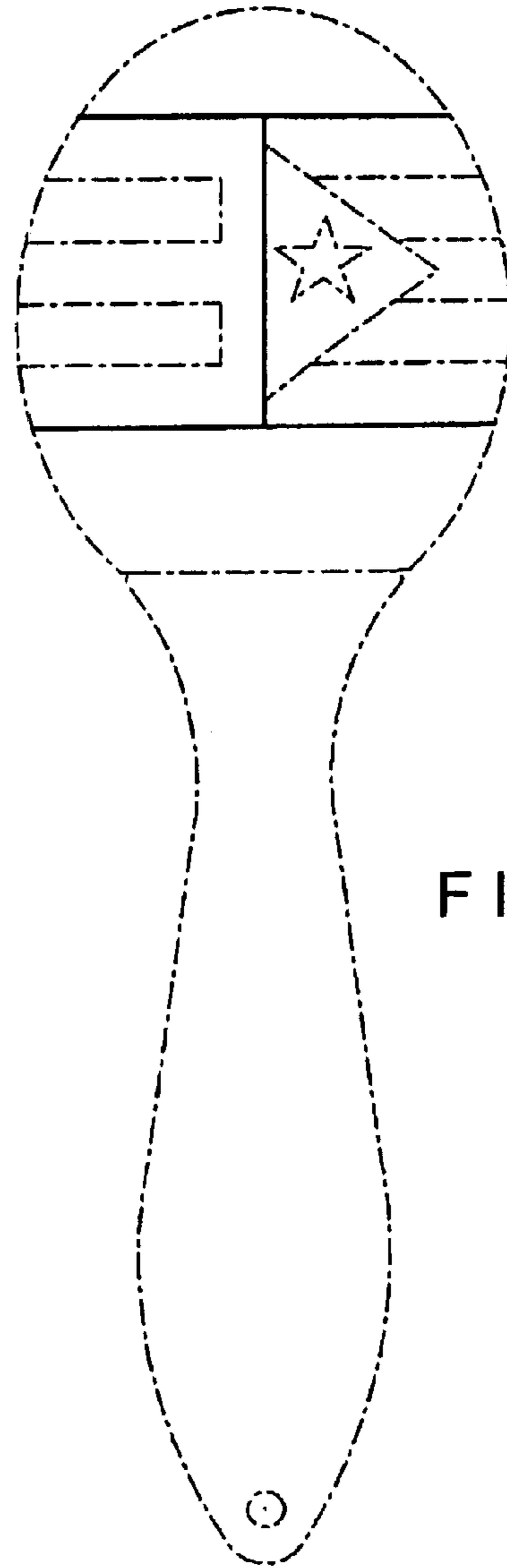


FIG. 2

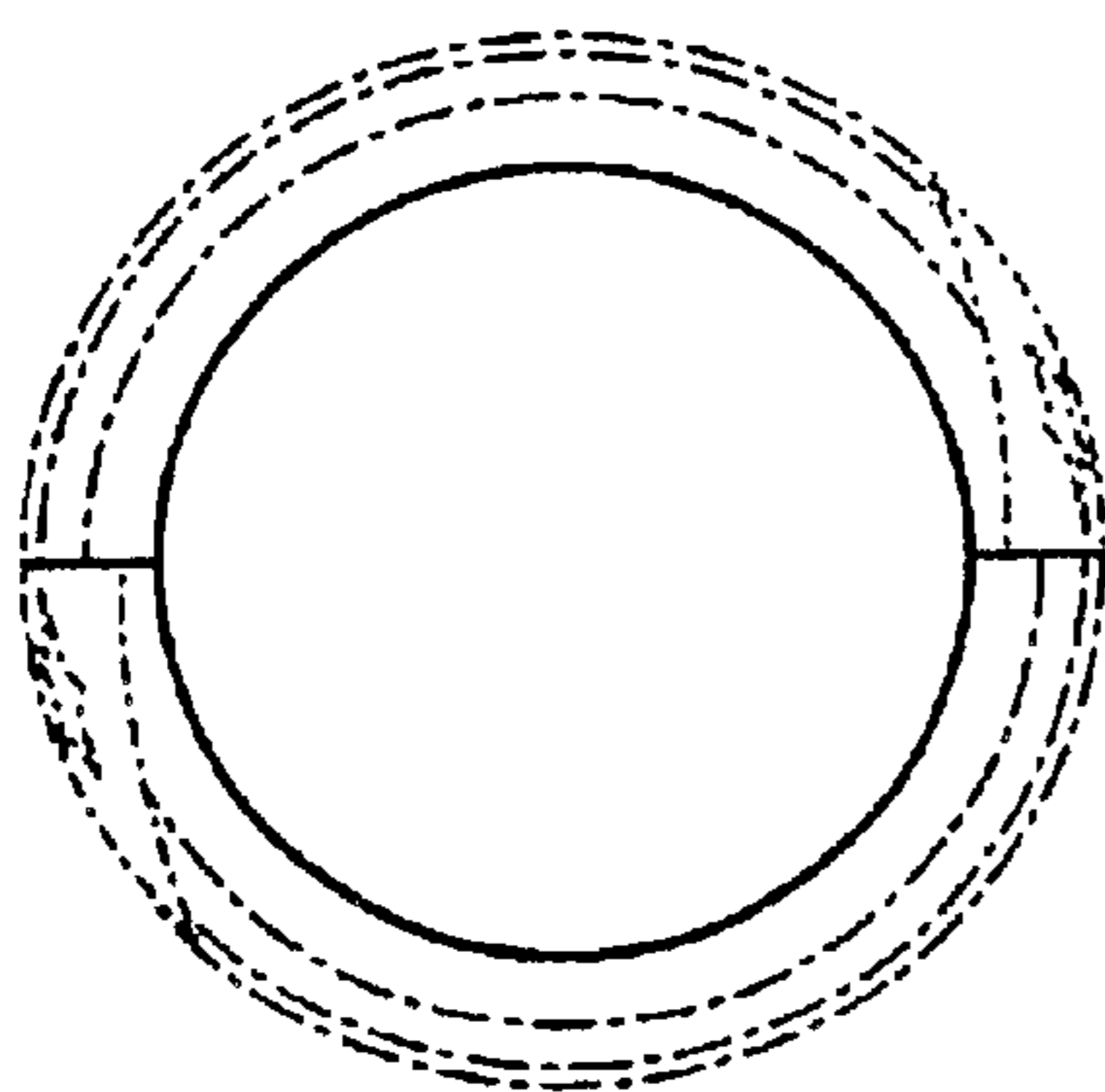


FIG. 3

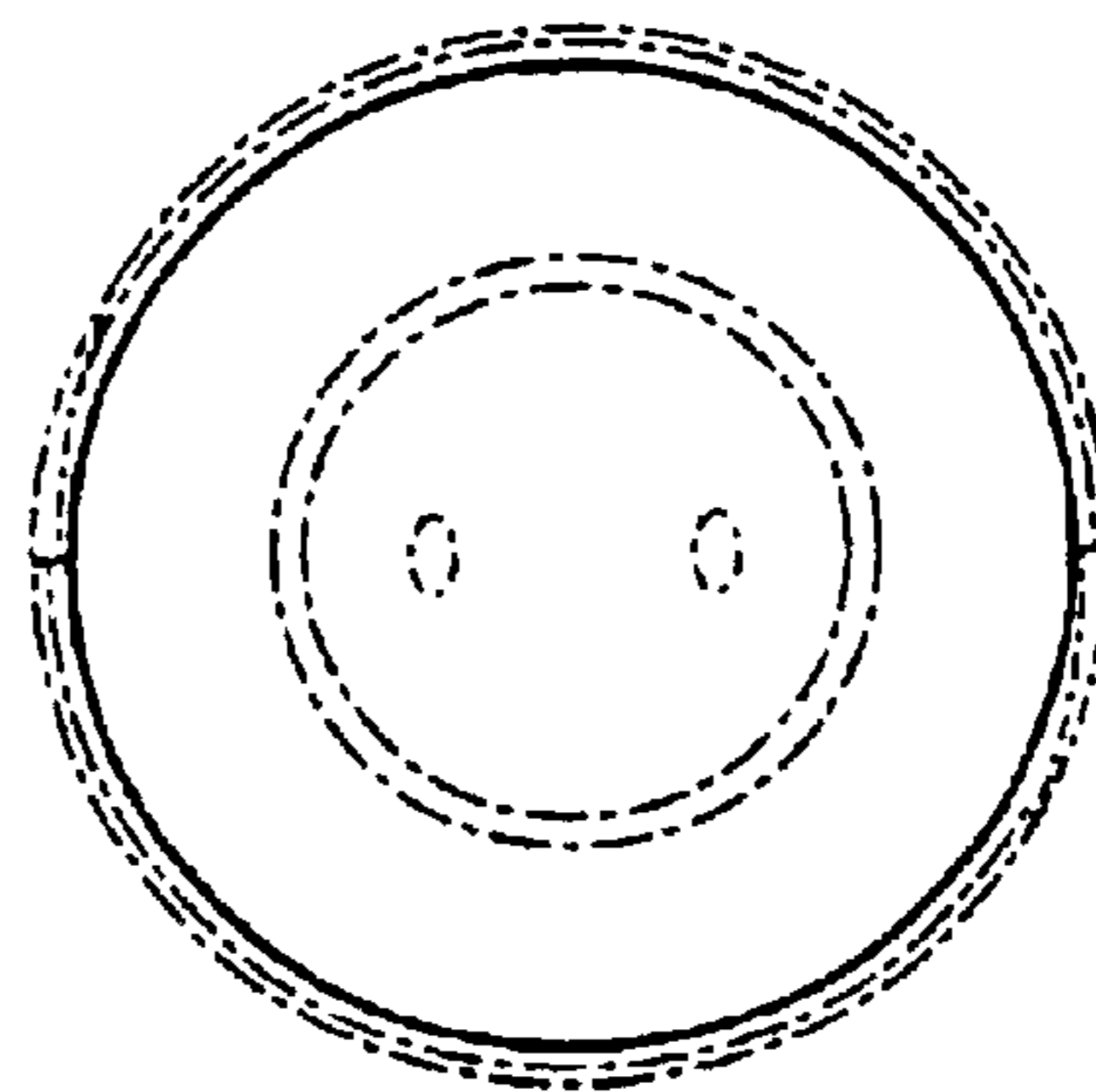


FIG. 4

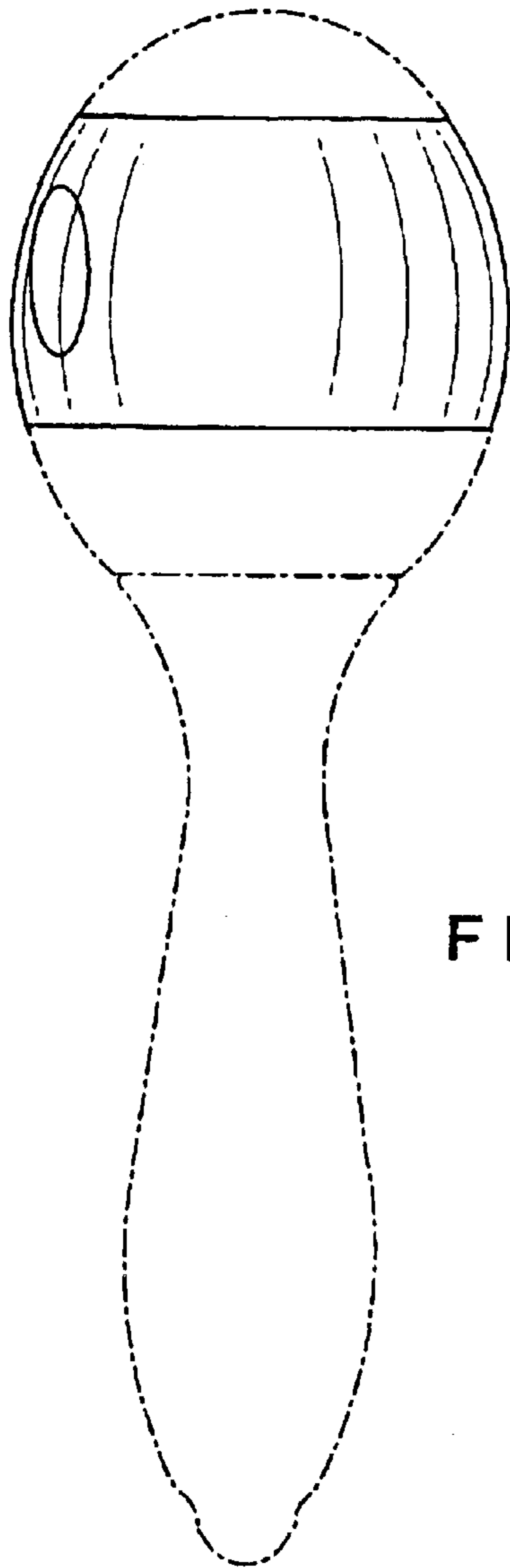


FIG. 5

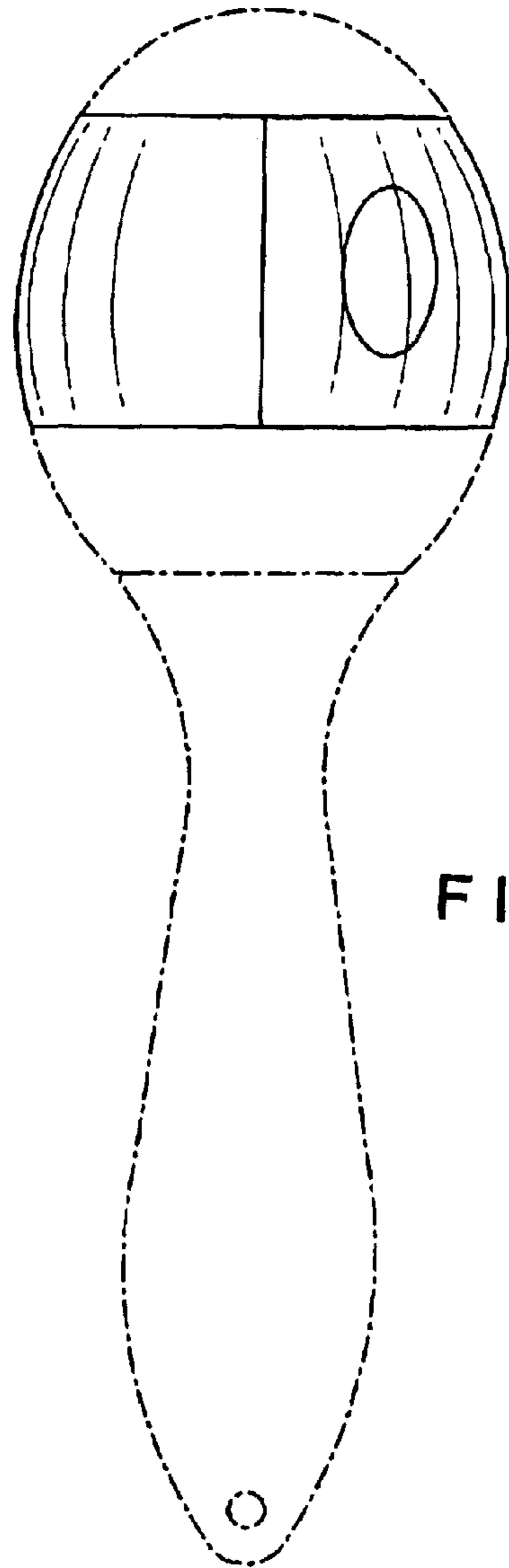


FIG. 6

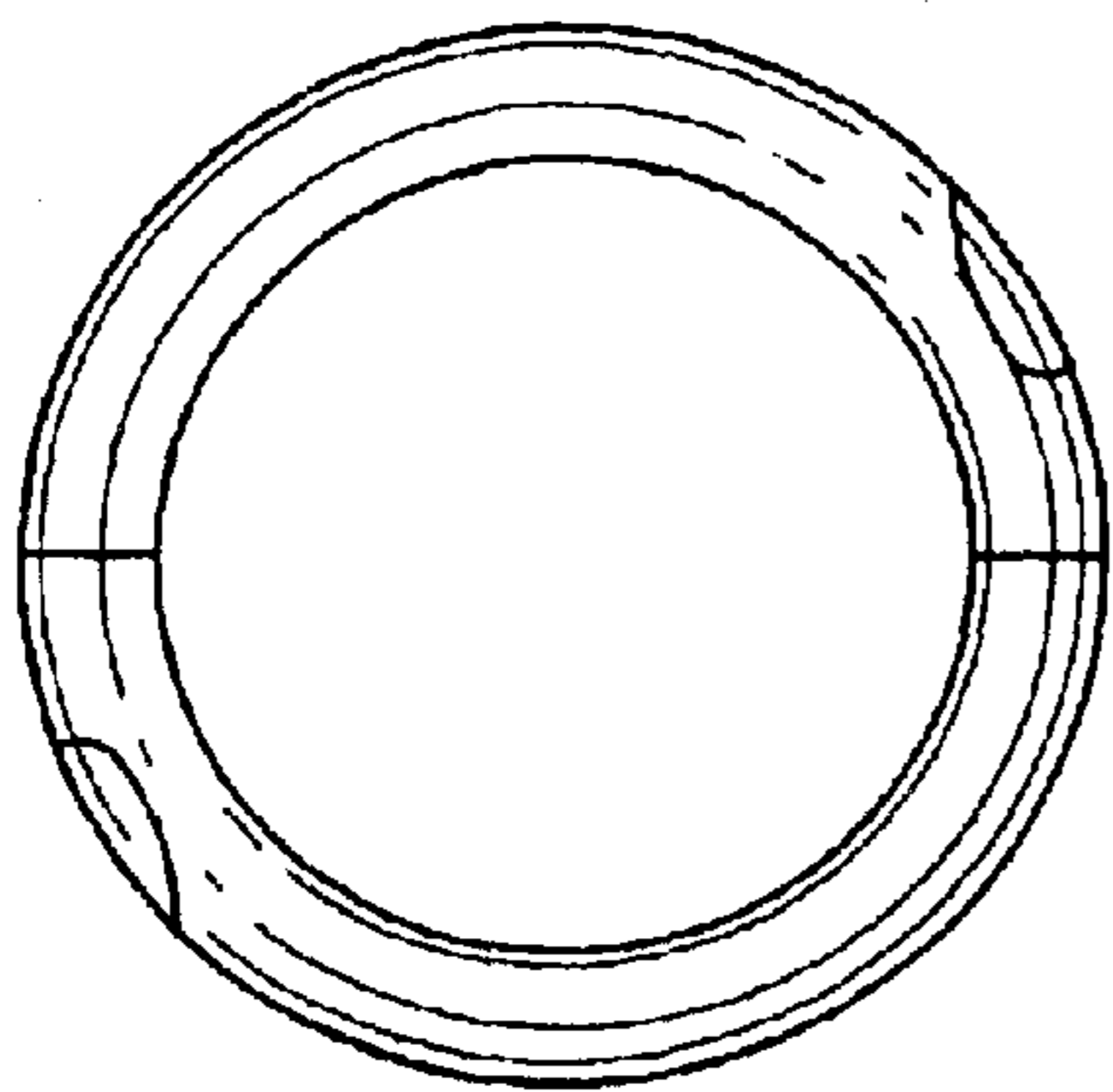


FIG. 7

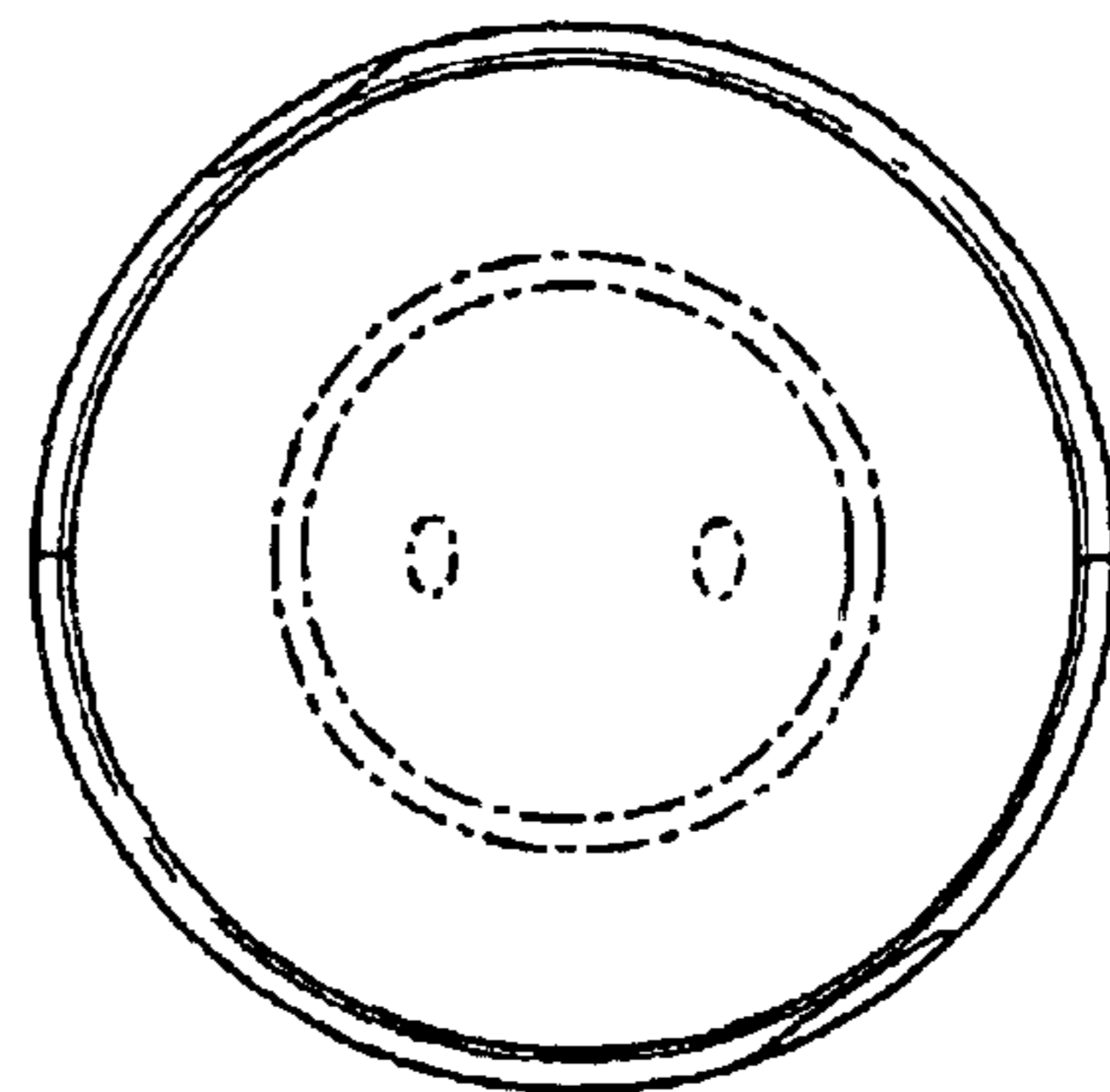


FIG. 8

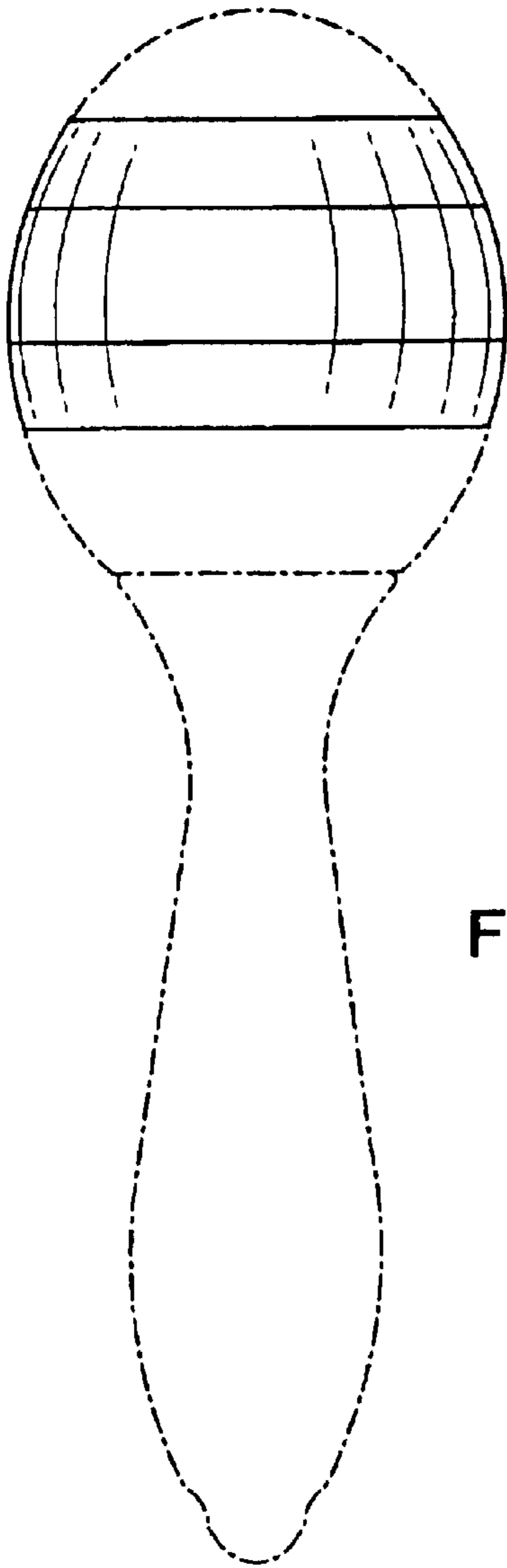


FIG. 9

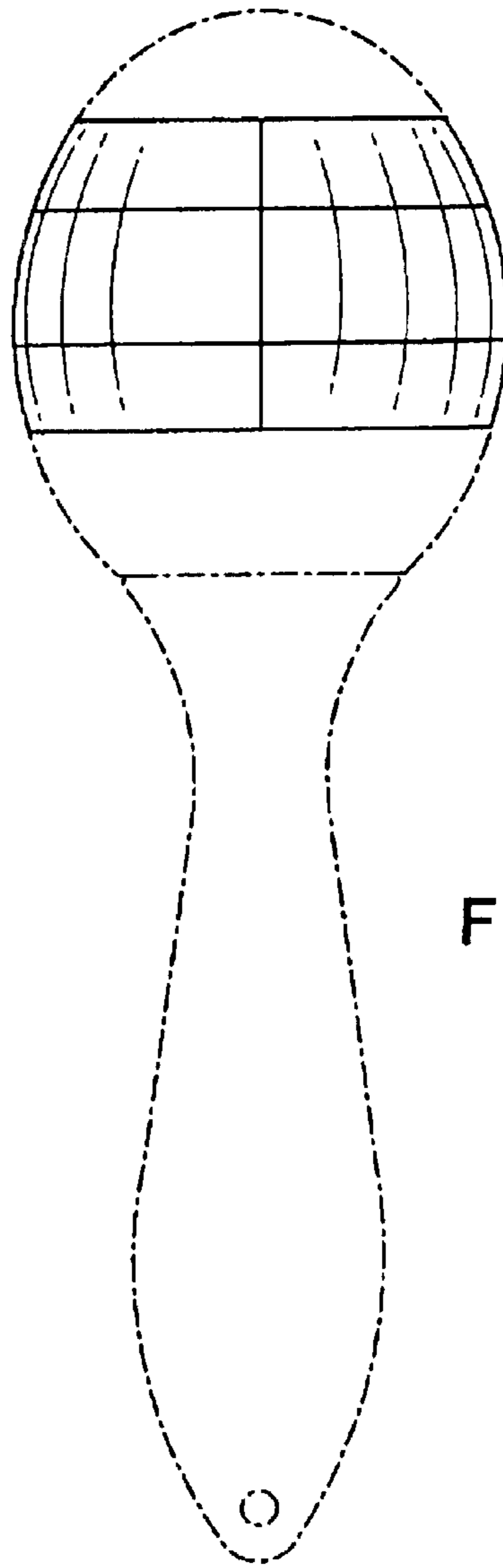


FIG. 10

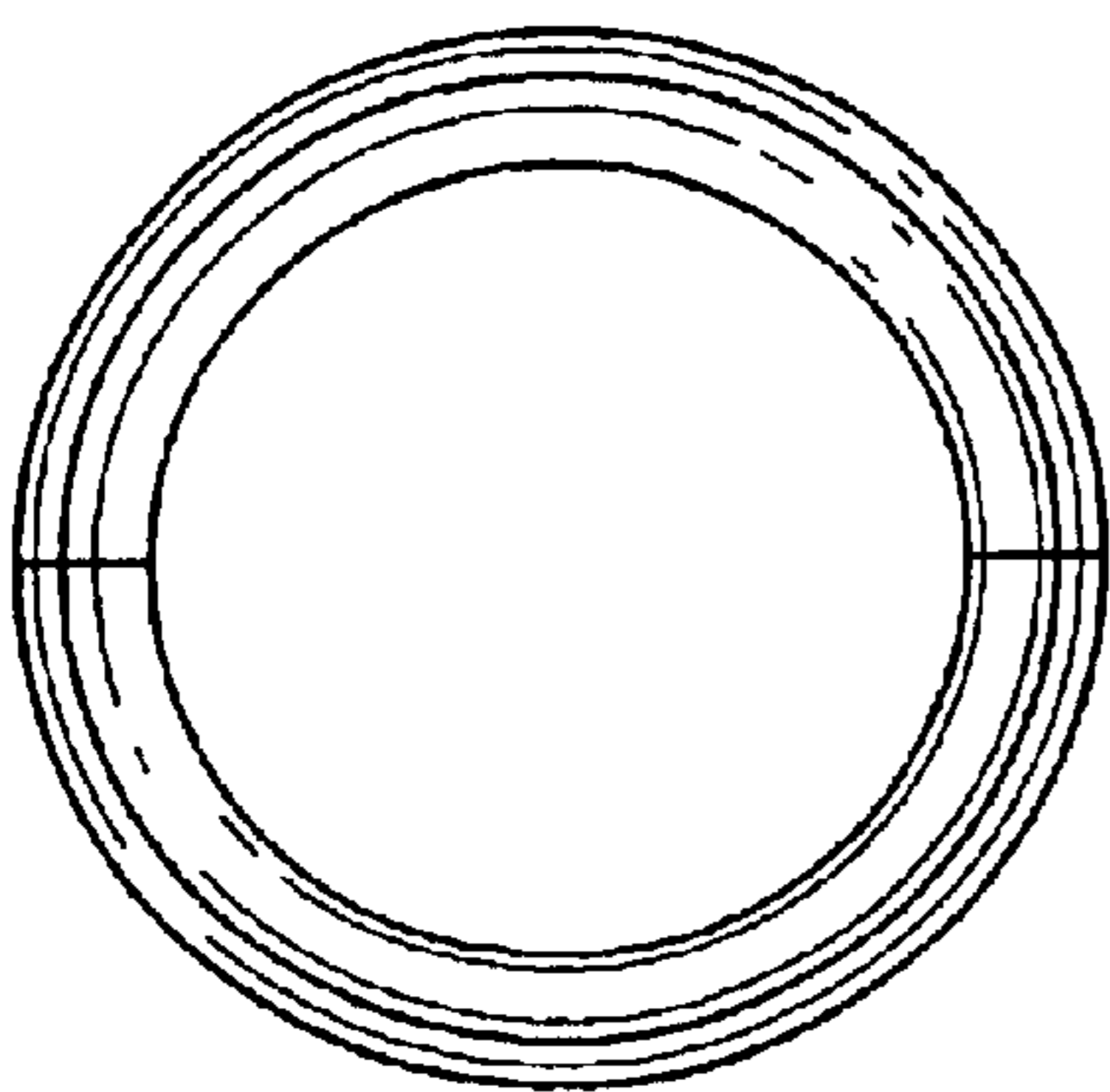


FIG. 11

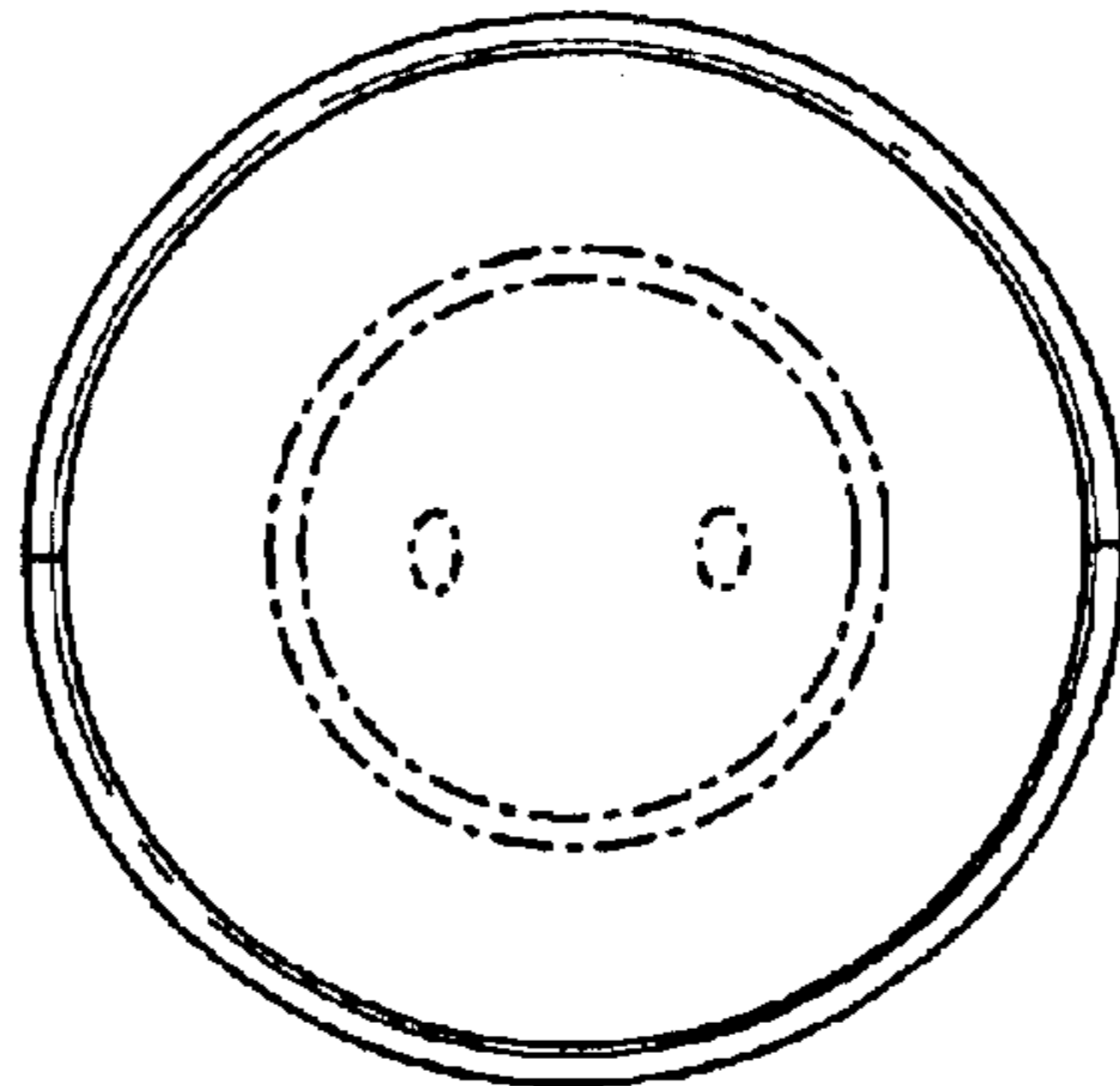


FIG. 12