

US00D502202S

(12) **United States Design Patent**
Mitsuse

(10) **Patent No.:** **US D502,202 S**
(45) **Date of Patent:** **** Feb. 22, 2005**

(54) **DIGITAL CAMERA**
(75) Inventor: **Akinori Mitsuse, Fucyu (JP)**
(73) Assignee: **Olympus Corporation, Tokyo (JP)**
(**) Term: **14 Years**

D449,633 S	*	10/2001	Suzuki et al.	D16/219
D462,080 S	*	8/2002	Suzuki et al.	D16/219
D463,810 S		10/2002	Suzuki et al.	D16/202
D465,800 S		11/2002	Suzuki et al.	D16/202
D467,953 S		12/2002	Suzuki et al.	D16/202
D484,156 S	*	12/2003	Tanio	D16/202
D486,844 S	*	2/2004	Mitsuse	D16/202
2002/0081115 A1		6/2002	Suzuki et al.	396/429

(21) Appl. No.: **29/190,193**
(22) Filed: **Sep. 16, 2003**

* cited by examiner

Related U.S. Application Data

Primary Examiner—Adir Aronovich
(74) *Attorney, Agent, or Firm*—Hogan & Hartson LLP

(62) Division of application No. 29/175,133, filed on Jan. 27, 2003, now abandoned.

(57) **CLAIM**

(30) **Foreign Application Priority Data**

The design for digital camera, substantially as shown and described.

Jan. 17, 2003 (JP) 2003-001061

DESCRIPTION

(51) **LOC (7) Cl.** **16-05**
(52) **U.S. Cl.** **D16/219; D16/202; D16/212**
(58) **Field of Search** **D16/200–205, D16/208, 212, 218, 219; 348/373–376; 358/906, 909.1; 396/349, 448, 535–541**

FIG. 1 is a front perspective view of a digital camera showing my new design;
FIG. 2 is a front elevational view thereof;
FIG. 3 is a rear elevational view thereof;
FIG. 4 is a top plan view thereof;
FIG. 5 is a bottom plan view thereof;
FIG. 6 is a left side elevational view thereof; and,
FIG. 7 is a right side elevational view thereof.

(56) **References Cited**

The portions of the camera in broken lines are shown for illustrative purposes only and form no part of the claimed design.

U.S. PATENT DOCUMENTS

5,913,089 A	6/1999	Ebe	396/448
D412,518 S	8/1999	Naito	D16/212
D449,324 S	10/2001	Iue et al.	D16/202
D449,330 S	* 10/2001	Suzuki et al.	D16/219

1 Claim, 4 Drawing Sheets

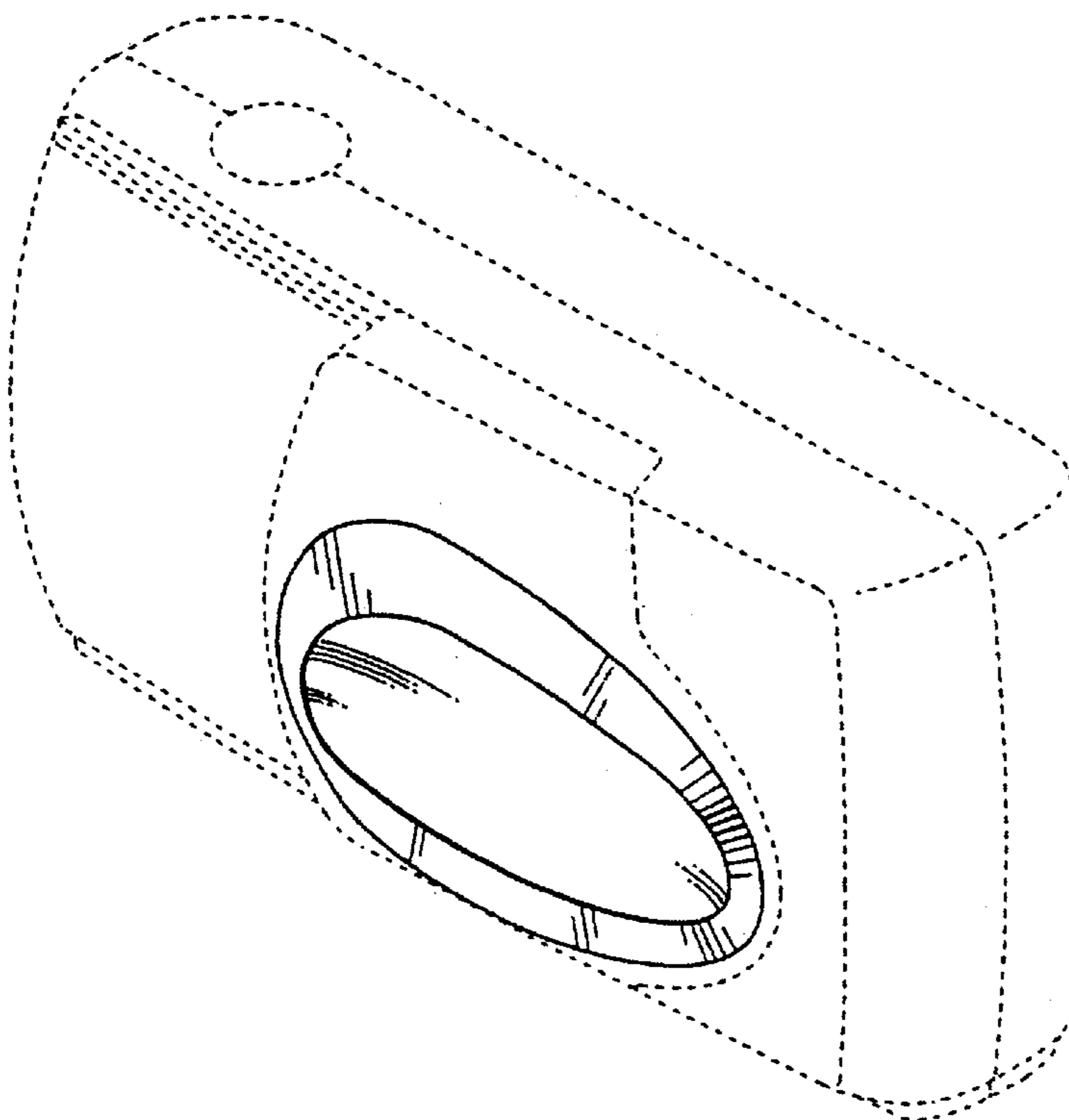


FIG. 1

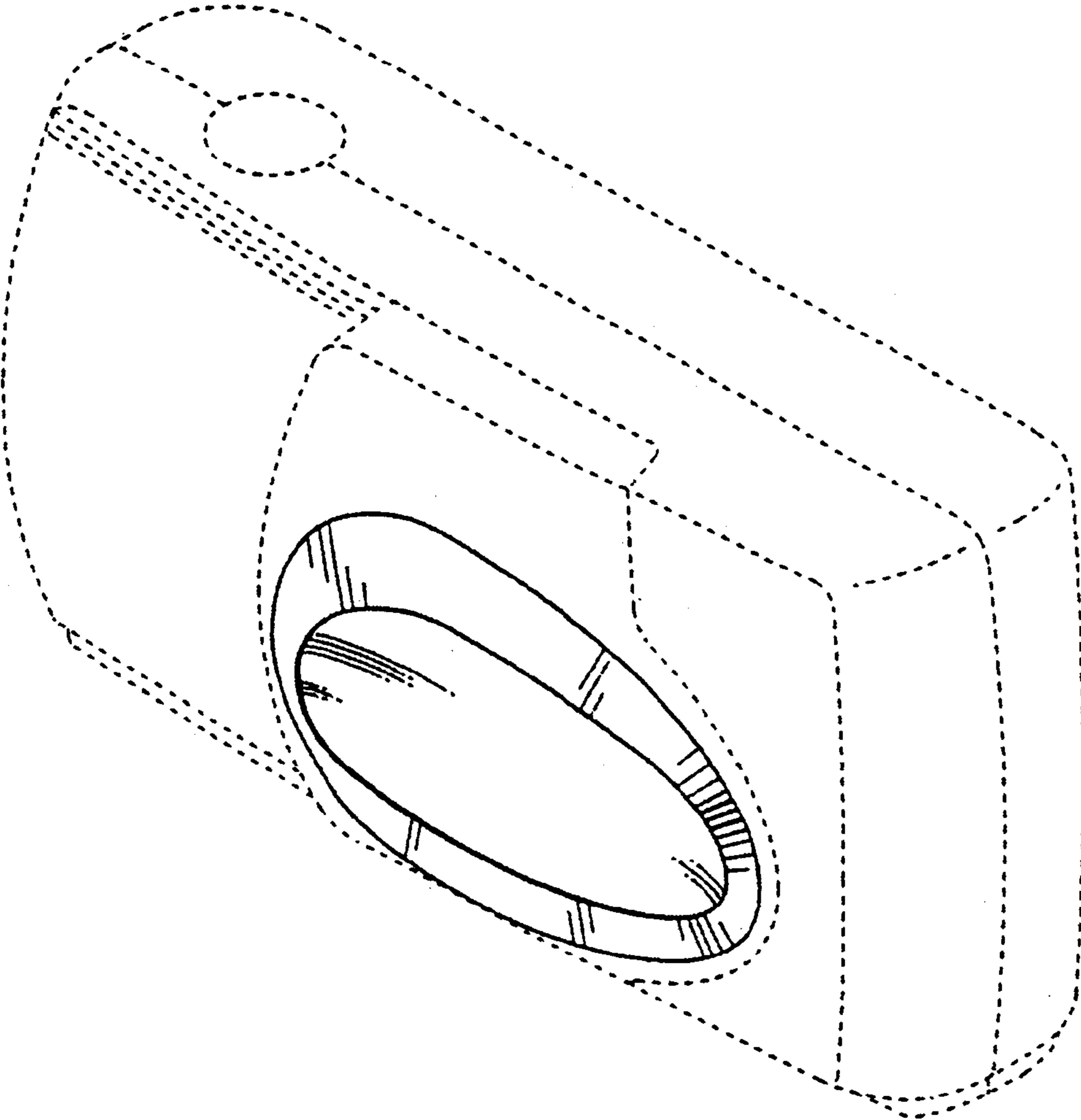


FIG. 2

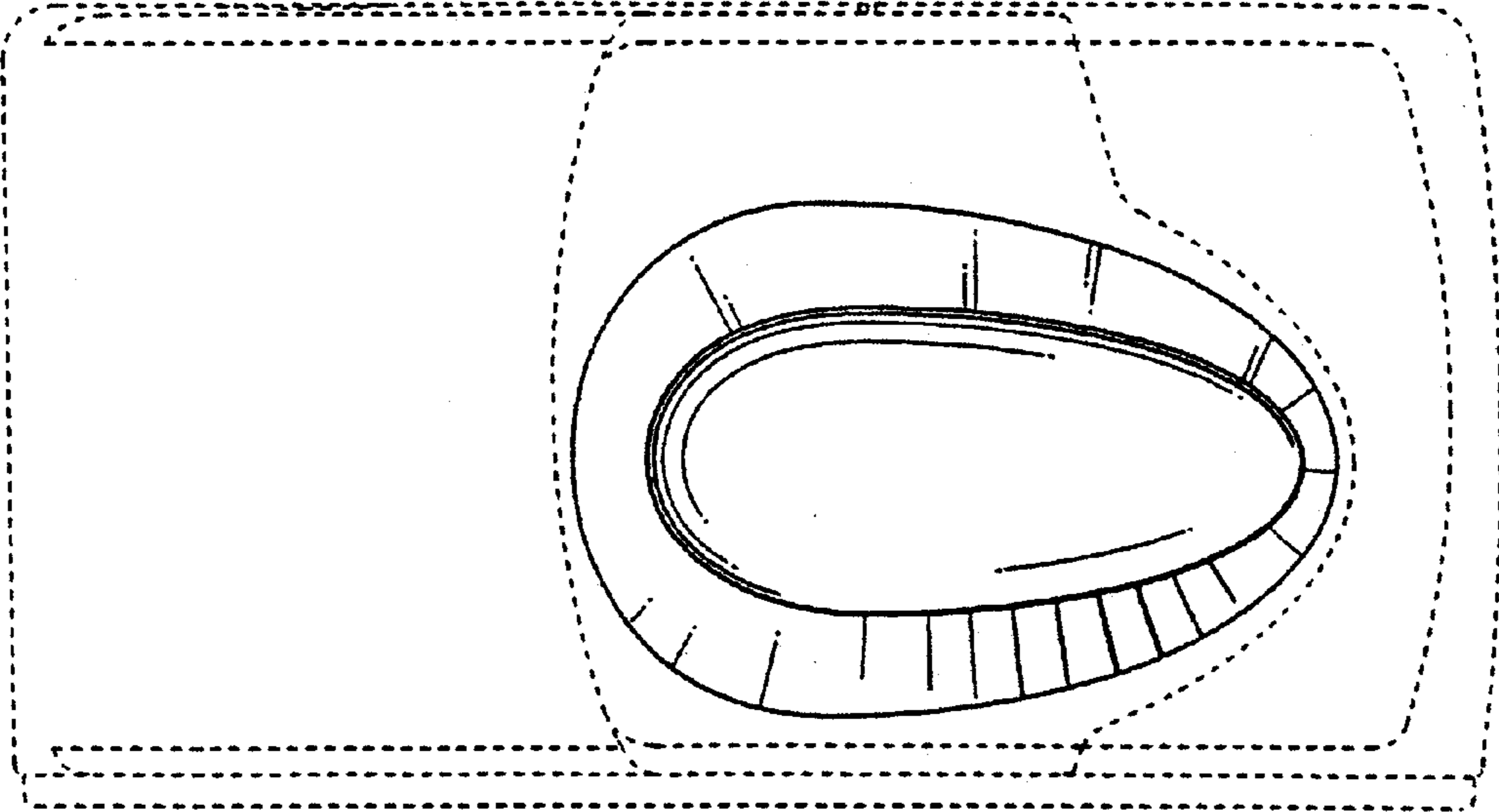


FIG. 3

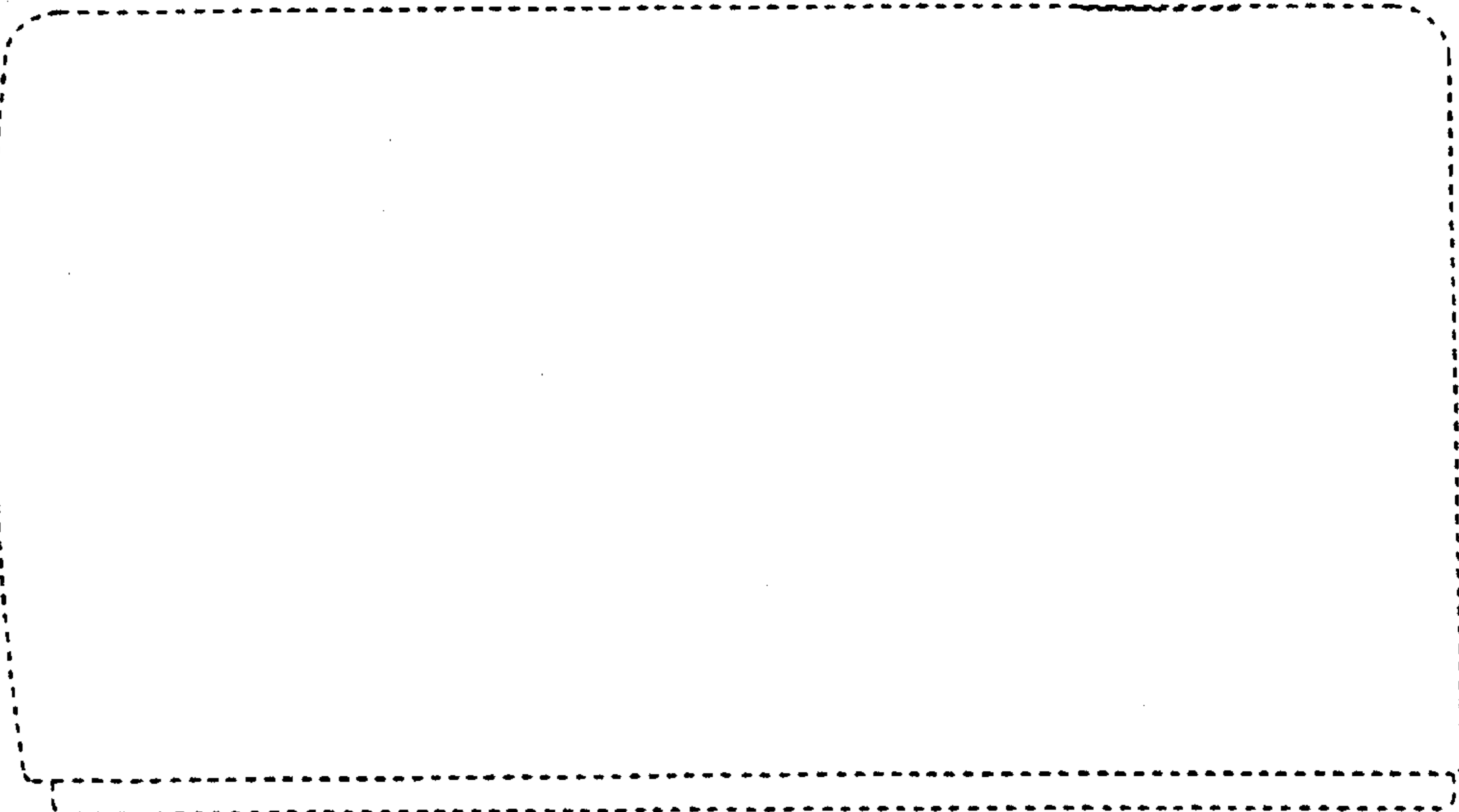


FIG. 4

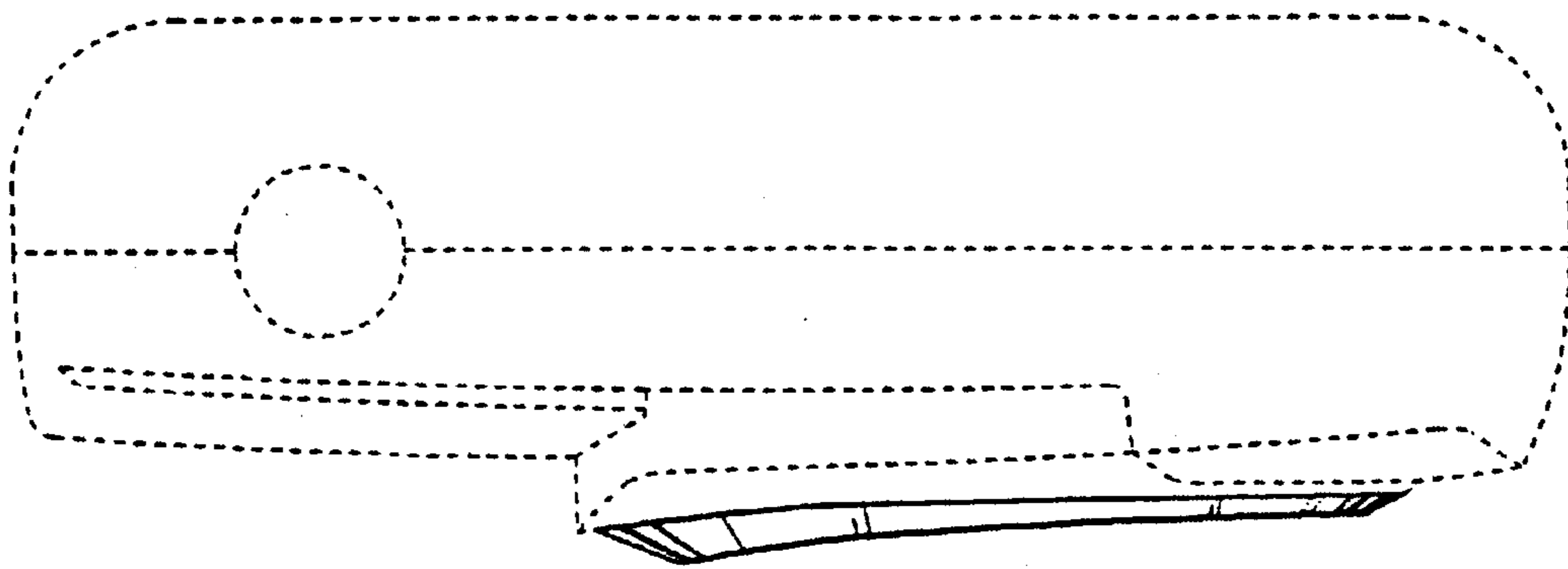


FIG. 5

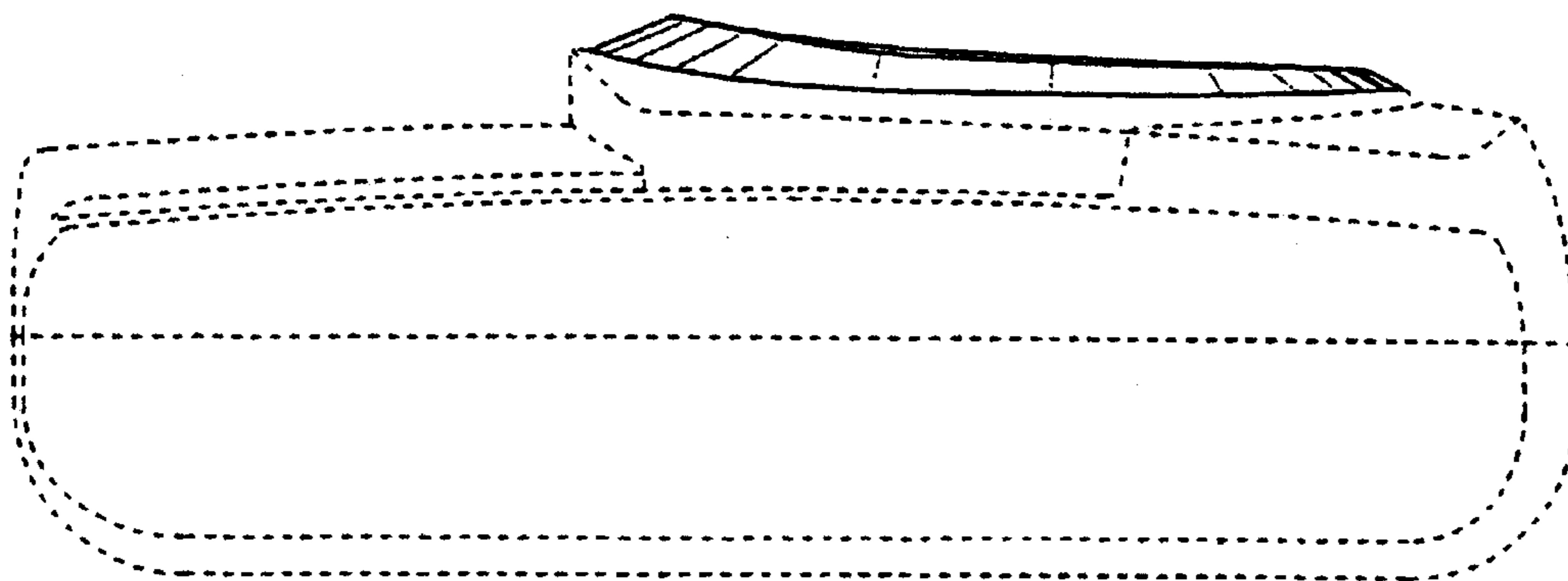


FIG. 6

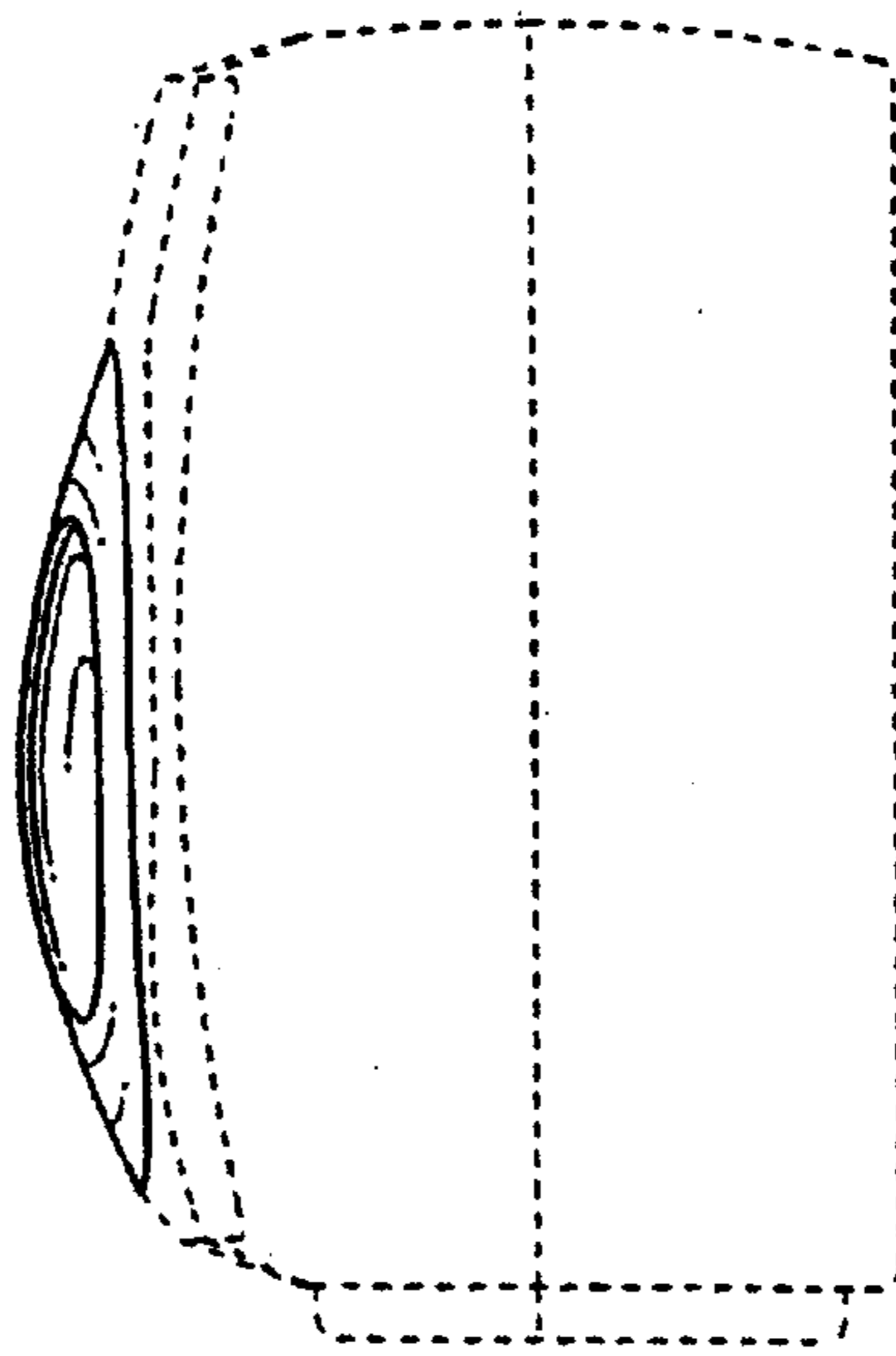


FIG. 7

