

US00D502201S

(12) **United States Design Patent** (10) **Patent No.:** **US D502,201 S**
Hines et al. (45) **Date of Patent:** **** Feb. 22, 2005**

(54) **COMBINATION BINOCULARS AND CAMERA**

(75) Inventors: **David M. Hines**, Santa Ana, CA (US);
Andres Dandler, Aliso Viejo, CA (US);
Jaime Canedo, Irvine, CA (US)

(73) Assignee: **Meade Instruments Corp.**, Irvine, CA (US)

(**) Term: **14 Years**

5,861,994 A	1/1999	Kelly	
5,986,803 A	11/1999	Kelly	
5,999,299 A	12/1999	Chan et al.	
6,067,190 A	5/2000	Kelly	
6,088,053 A	7/2000	Hammack et al.	
D447,160 S	* 8/2001	Kishigami et al. D16/133
6,476,963 B1	* 11/2002	Chen 359/407
D476,349 S	* 6/2003	Fujii D16/133
D484,899 S	1/2004	Yanagisawa	
D484,900 S	1/2004	Lee et al.	
D488,178 S	* 4/2004	Huang D16/218
2002/0109785 A1	8/2002	Hammack et al.	

(21) Appl. No.: **29/199,964**

(22) Filed: **Feb. 20, 2004**

(51) **LOC (7) Cl.** **16-01**

(52) **U.S. Cl.** **D16/208; D16/133**

(58) **Field of Search** D16/130, 133,
D16/200-204, 208, 211, 218, 219; 359/407-413;
396/429, 432, 535-541

(56) **References Cited**

U.S. PATENT DOCUMENTS

2,882,791 A	4/1959	Moller et al.	
2,955,156 A	10/1960	Heilig	
3,833,758 A	9/1974	Ferrari	
3,981,021 A	9/1976	Beecher	
4,067,027 A	1/1978	Yamazaki	
4,186,992 A	* 2/1980	Kamakura 359/408
D259,569 S	6/1981	Nishioka	
D262,632 S	1/1982	Yamazaki	
4,443,819 A	4/1984	Funada et al.	
4,450,487 A	5/1984	Koide	
4,496,981 A	1/1985	Ota	
4,539,701 A	9/1985	Galbreath et al.	
4,571,628 A	2/1986	Thornton	
4,676,619 A	6/1987	Woolley	
D303,534 S	* 9/1989	Lane et al. D16/218
4,915,487 A	4/1990	Riddell, III et al.	
5,040,068 A	8/1991	Parulski et al.	
5,307,202 A	4/1994	Martino et al.	
D353,388 S	12/1994	Matsushita	
5,416,633 A	5/1995	Michel et al.	
D365,831 S	1/1996	Miyahara et al.	
D365,832 S	1/1996	Miyahara et al.	
5,579,165 A	11/1996	Michel et al.	

OTHER PUBLICATIONS

Frontgate Catalog, published on or before Dec. 4, 2003.
Brochure by Meade Instruments Corporation for Travel-View Binoculars "Capture View", undated.
Meade Instruments Corporation website print-out for Meade Sports Optics - Capture View, 2003.
Target weekly ad containing Bushnell Binoculars with built-in digital camera, undated.

* cited by examiner

Primary Examiner—Adir Aronovich

(74) *Attorney, Agent, or Firm*—Knobbe Martens Olson & Bear LLP

(57) **CLAIM**

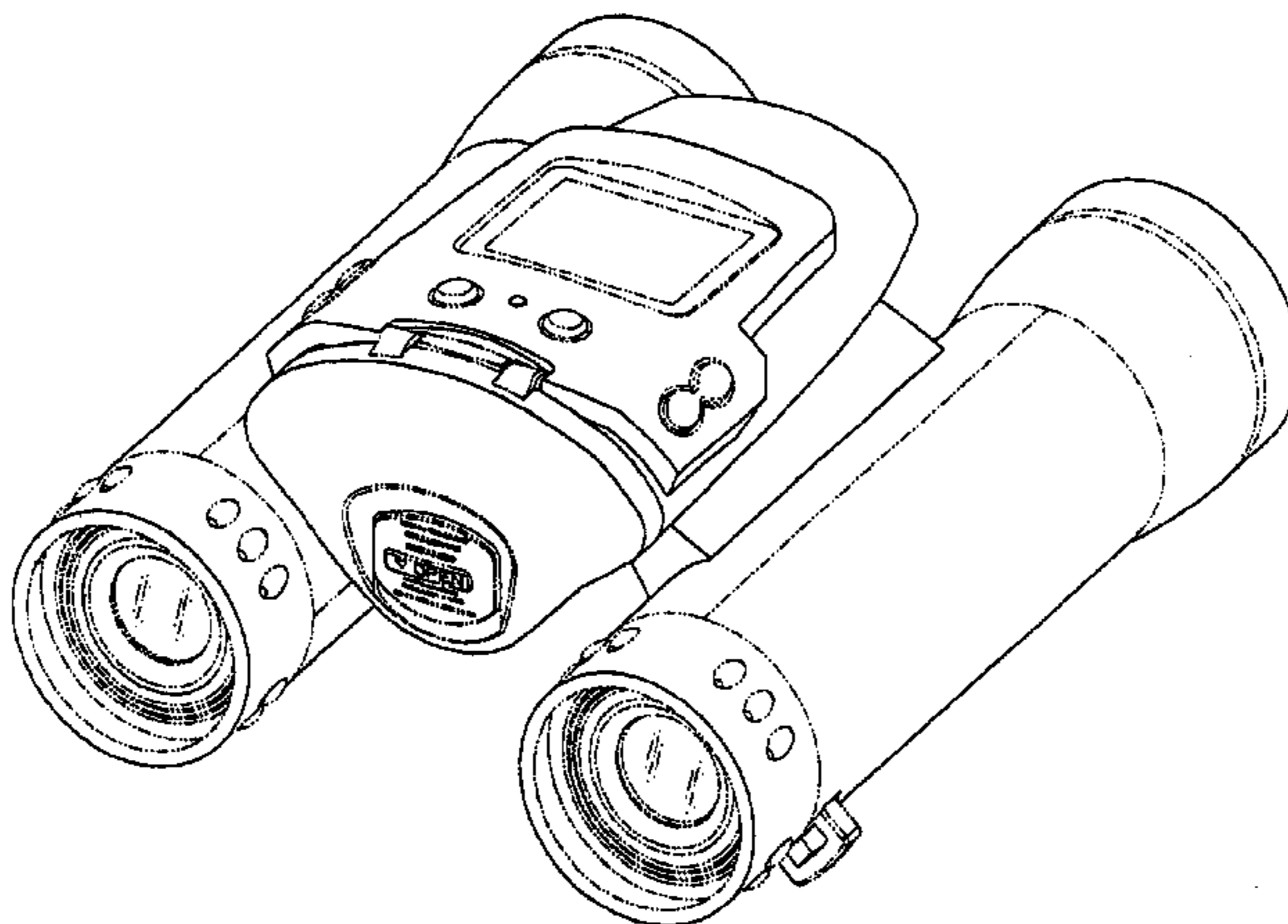
The ornamental design for a combination binoculars and camera, as shown and described.

DESCRIPTION

FIG. 1 is a rear perspective view of a combination binoculars and camera showing our new design;
FIG. 2 is a left side elevational view thereof;
FIG. 3 is a right side elevational view thereof;
FIG. 4 is a top plan view thereof;
FIG. 5 is a bottom plan view thereof;
FIG. 6 is a rear elevational view thereof; and,
FIG. 7 is a front elevational view thereof.

The portions of the article in broken lines are shown for illustrative purposes only and form no part of the claimed design.

1 Claim, 4 Drawing Sheets



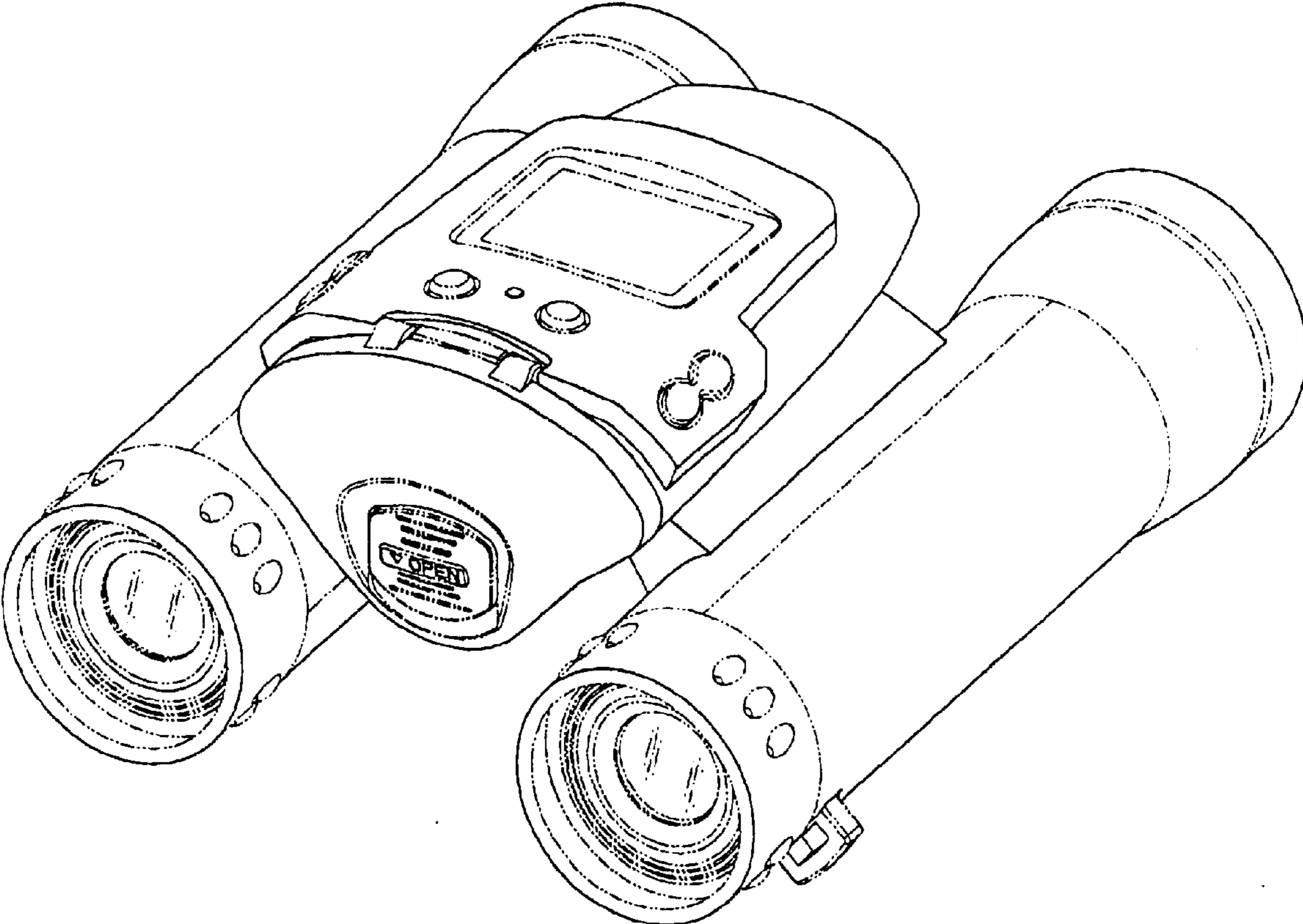


FIG. 1

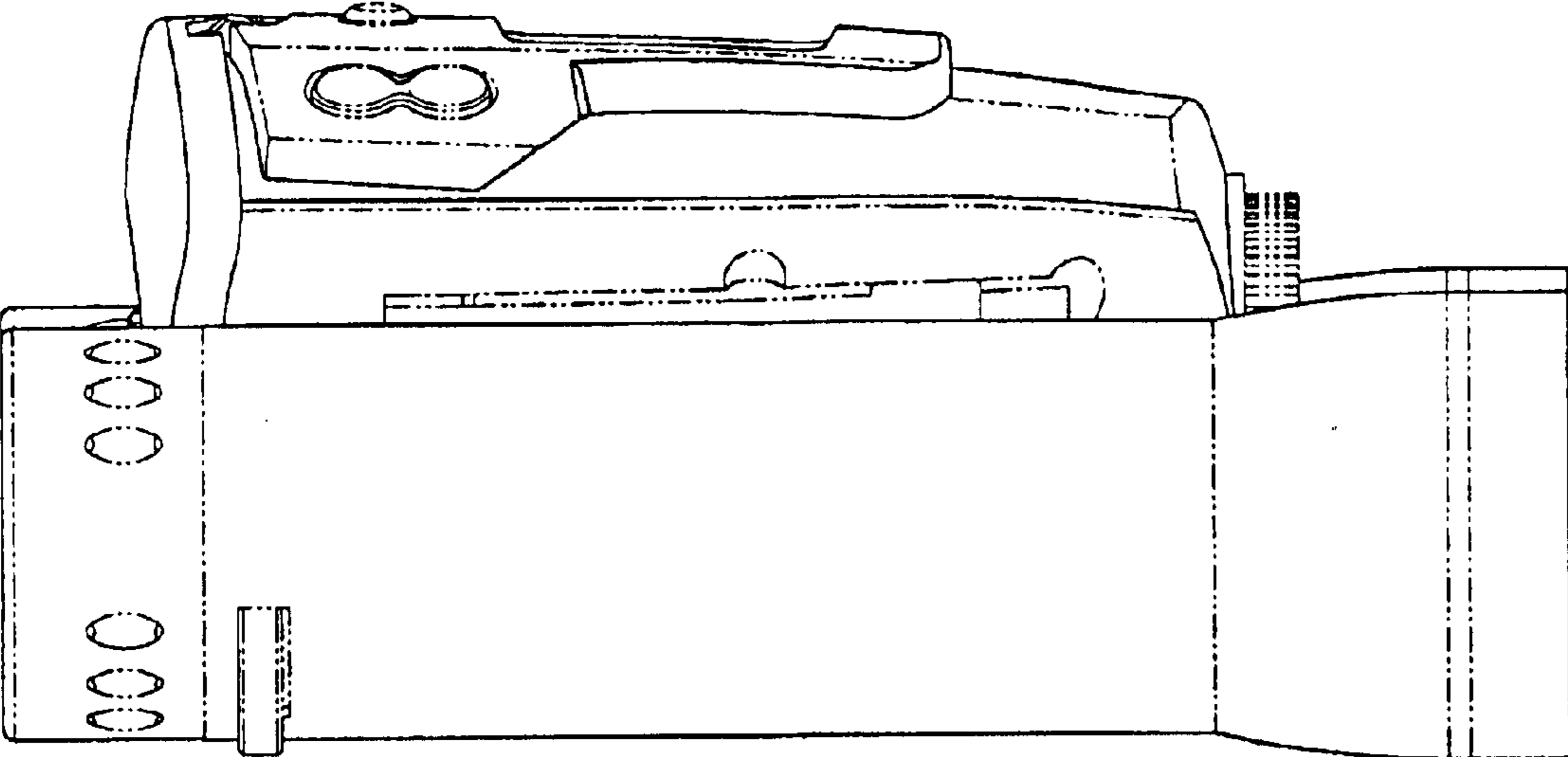


FIG. 2

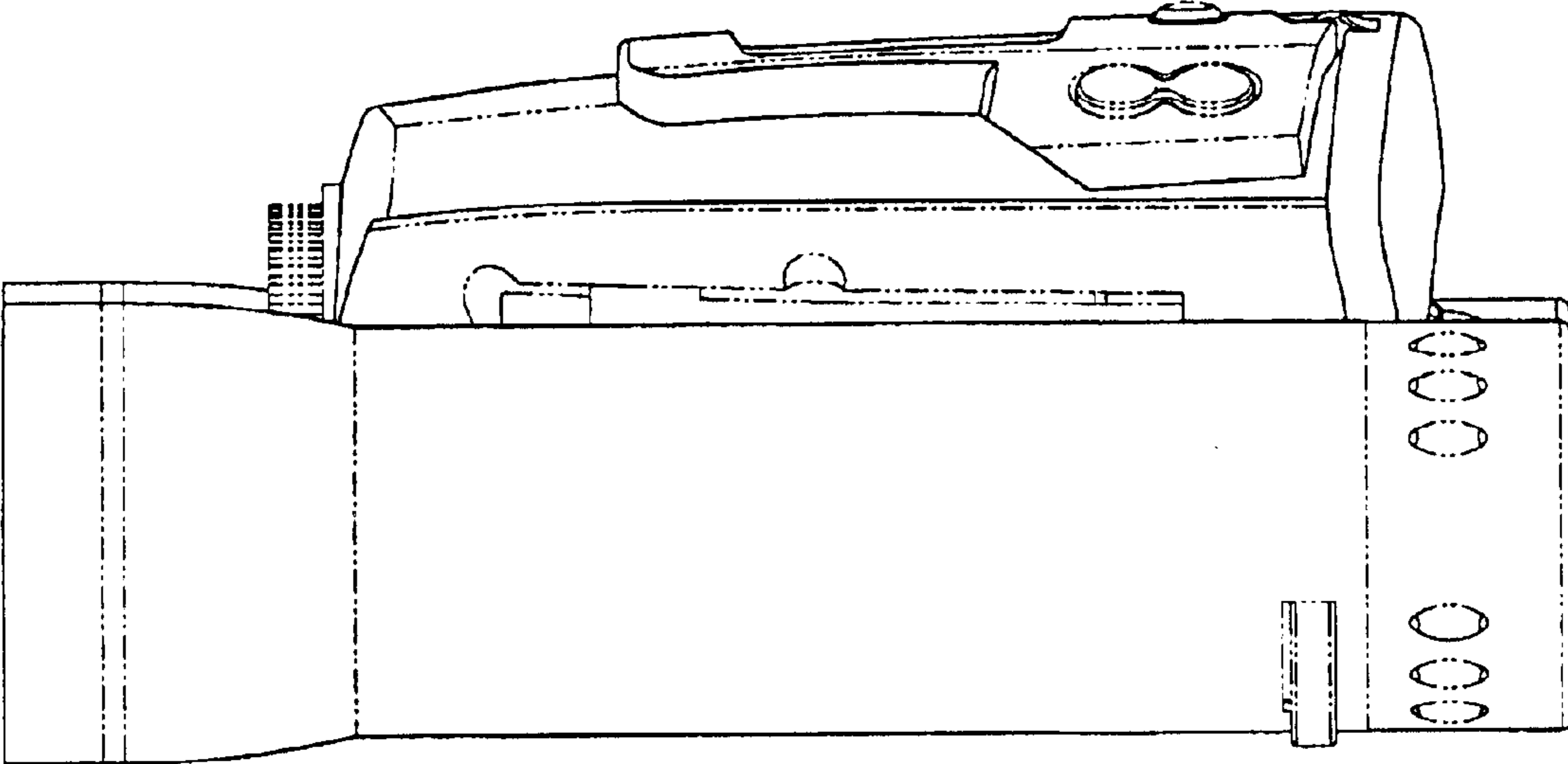


FIG. 3

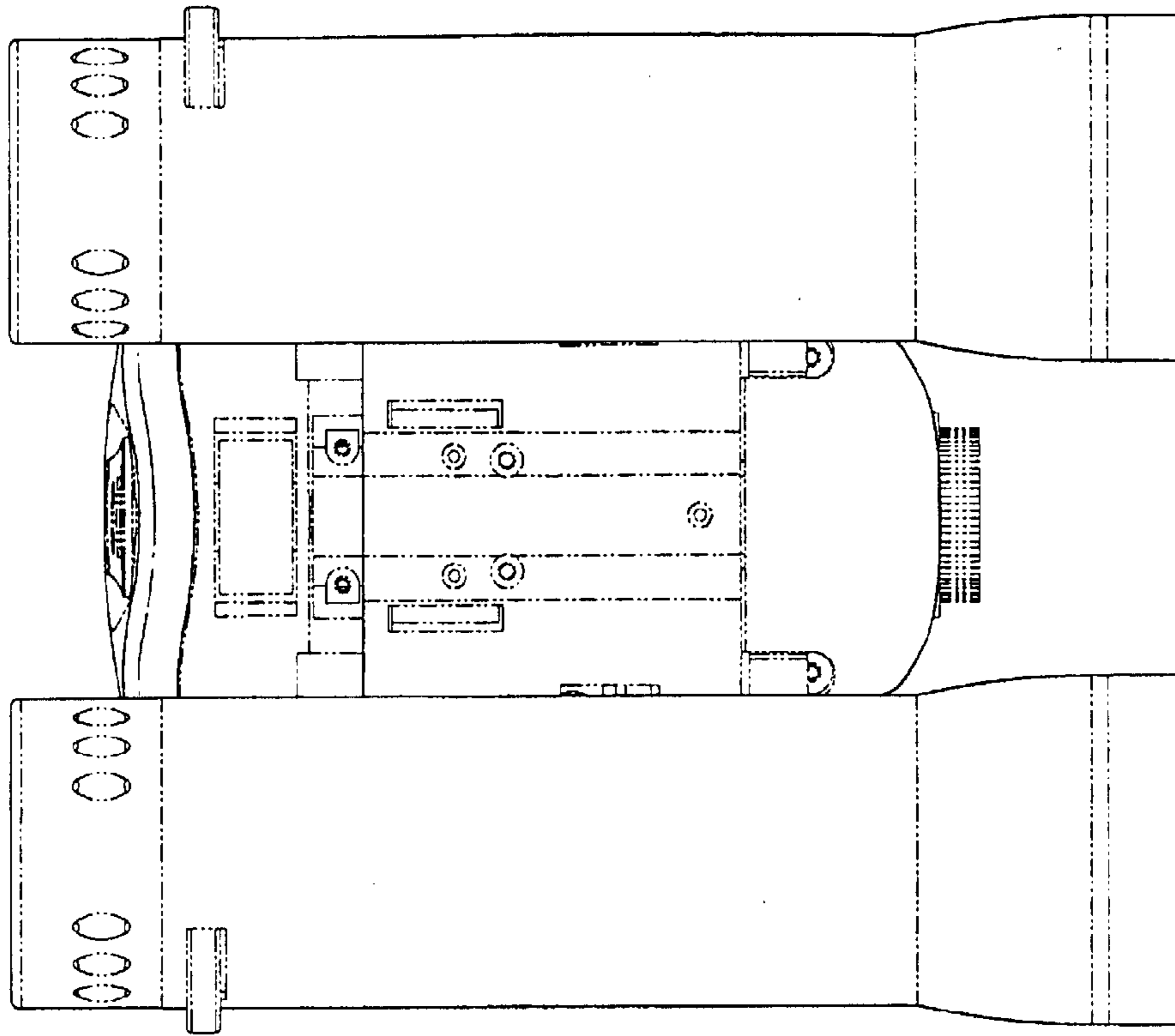


FIG. 5

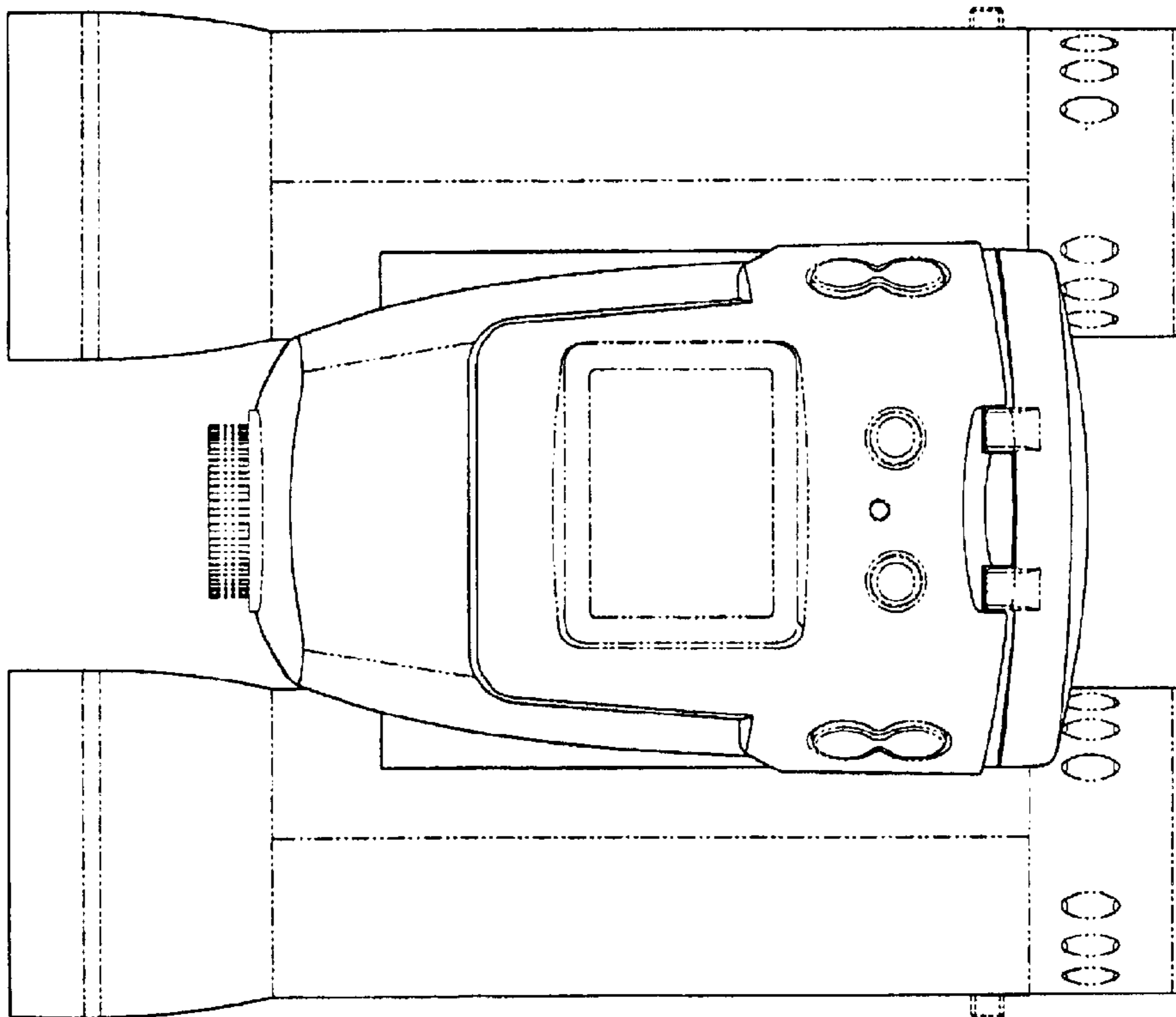


FIG. 4

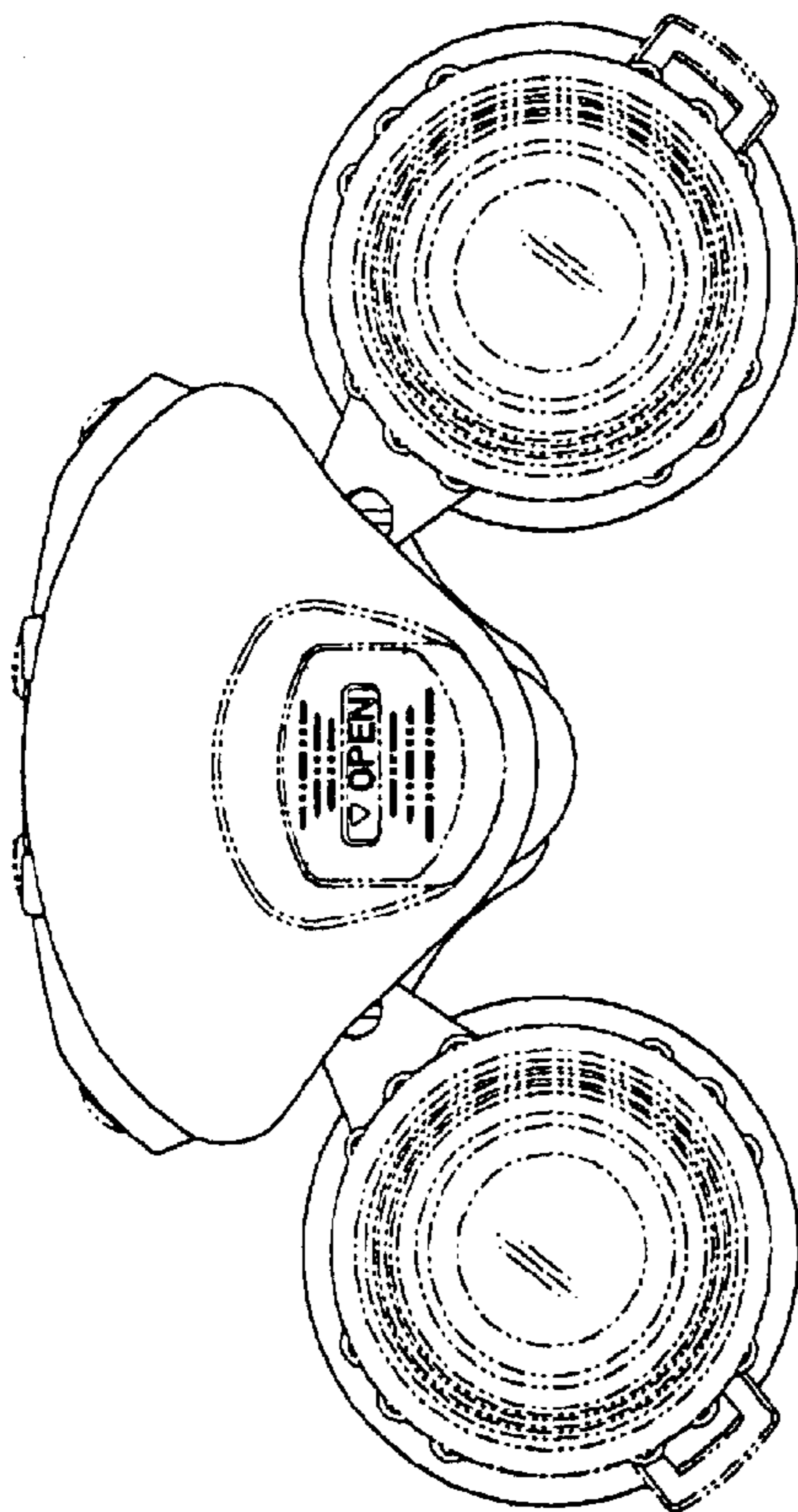


FIG. 6

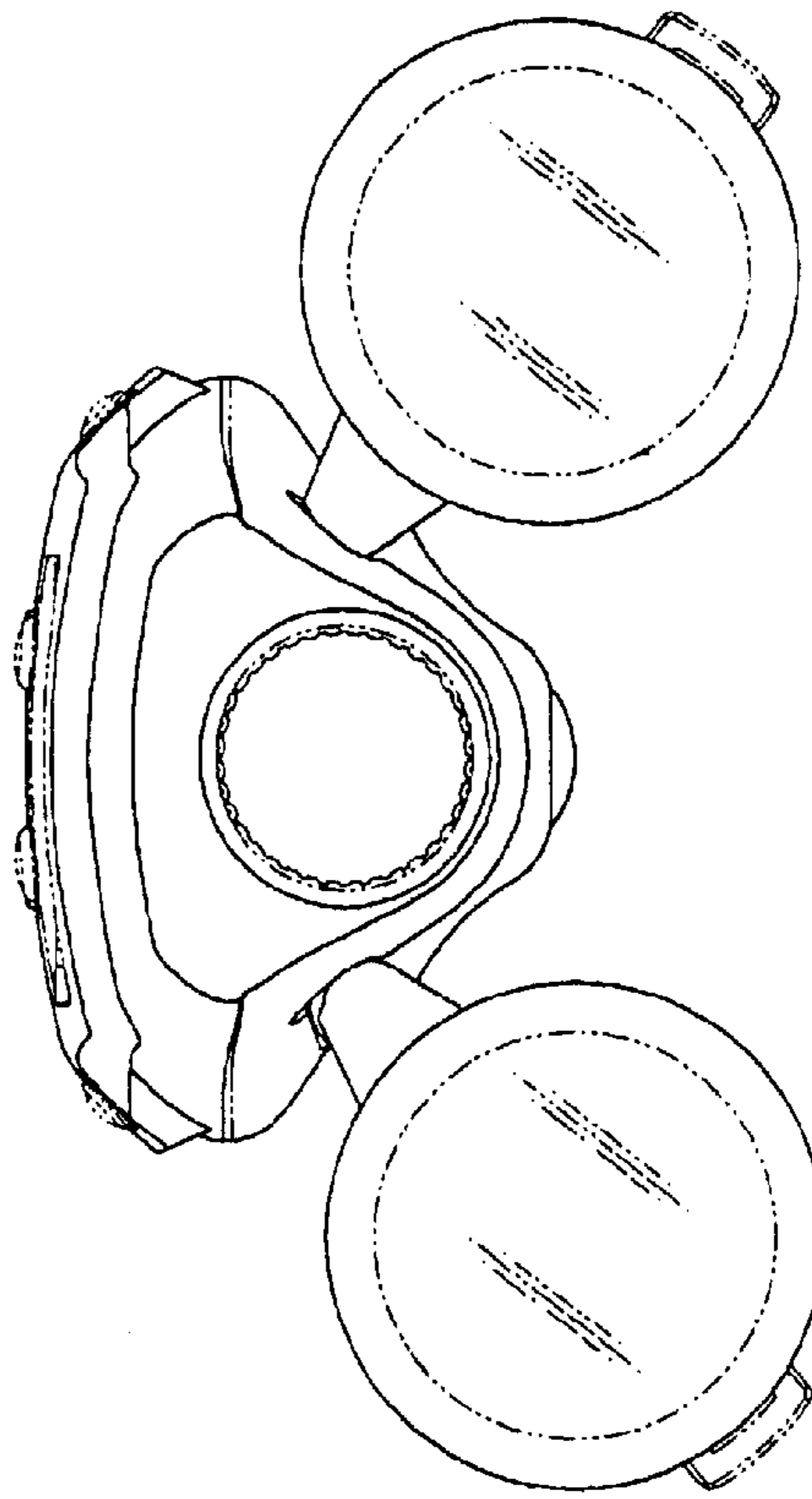


FIG. 7