

US00D502200S

(12) **United States Design Patent**  
**Abe**

(10) **Patent No.:** **US D502,200 S**  
(45) **Date of Patent:** **\*\* Feb. 22, 2005**

(54) **VIDEO CAMERA FOR SEMICONDUCTOR MEMORY CARD**

(75) Inventor: **Toru Abe**, Hyogo (JP)

(73) Assignee: **Matsushita Electric Industrial Co., Ltd.**, Osaka (JP)

(\*\*) Term: **14 Years**

(21) Appl. No.: **29/200,732**

(22) Filed: **Mar. 2, 2004**

(30) **Foreign Application Priority Data**

Dec. 22, 2003 (JP) ..... 2003-037745

(51) **LOC (7) Cl.** ..... **16-01**

(52) **U.S. Cl.** ..... **D16/206; D16/200**

(58) **Field of Search** ..... D16/200-206,  
D16/208, 218; 348/373-376; 358/906, 909.1;  
396/535-541

(56) **References Cited**

**U.S. PATENT DOCUMENTS**

D212,651 S	*	11/1968	Yagi	.....	D16/200
D256,469 S	*	8/1980	Stemme et al.	.....	D16/206
D370,922 S	*	6/1996	Onoda et al.	.....	D16/208
D412,899 S	*	8/1999	Rosen	.....	D14/132
D496,674 S	*	9/2004	Hayashi	.....	D16/202

**FOREIGN PATENT DOCUMENTS**

JP	D769724	9/1989
JP	D950151	3/1996

JP	D1036914	4/1999
JP	D976270	12/1999
JP	D1067510	4/2000
JP	D1068305	4/2000
JP	D1079001	7/2000
JP	D1113551	7/2000
JP	D1164052	1/2003
JP	D1183622	9/2003

\* cited by examiner

*Primary Examiner*—Adir Aronovich

(74) *Attorney, Agent, or Firm*—Brinks Hofer Gilson & Lione

(57) **CLAIM**

The ornamental design for a video camera for semiconductor memory card, as shown and described.

**DESCRIPTION**

FIG. 1 is a top front perspective view of a video camera for semiconductor memory card of the present invention, wherein a hand grip is in an open position;

FIG. 2 is a front view thereof;

FIG. 3 is a top view thereof;

FIG. 4 is a first side view thereof;

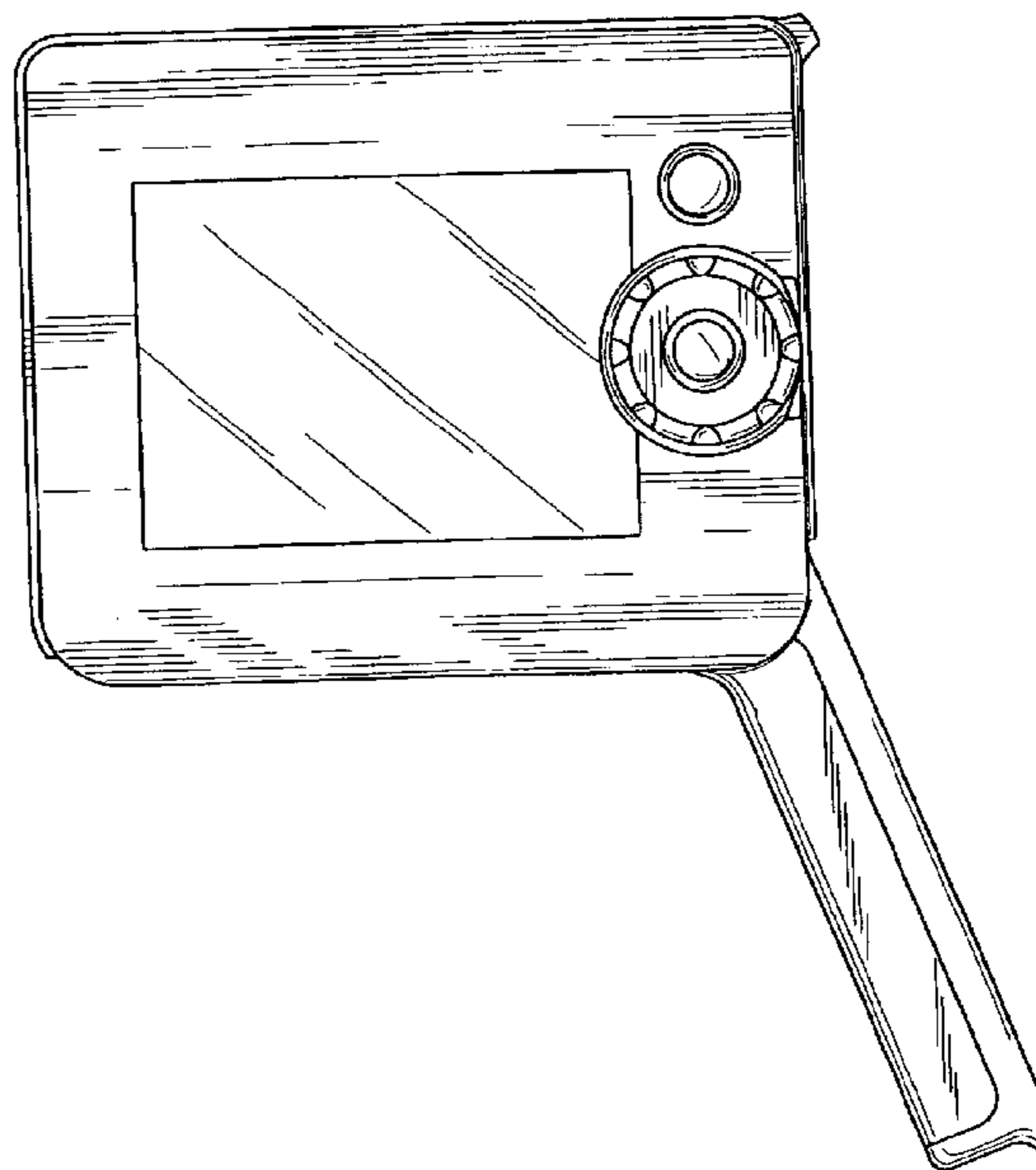
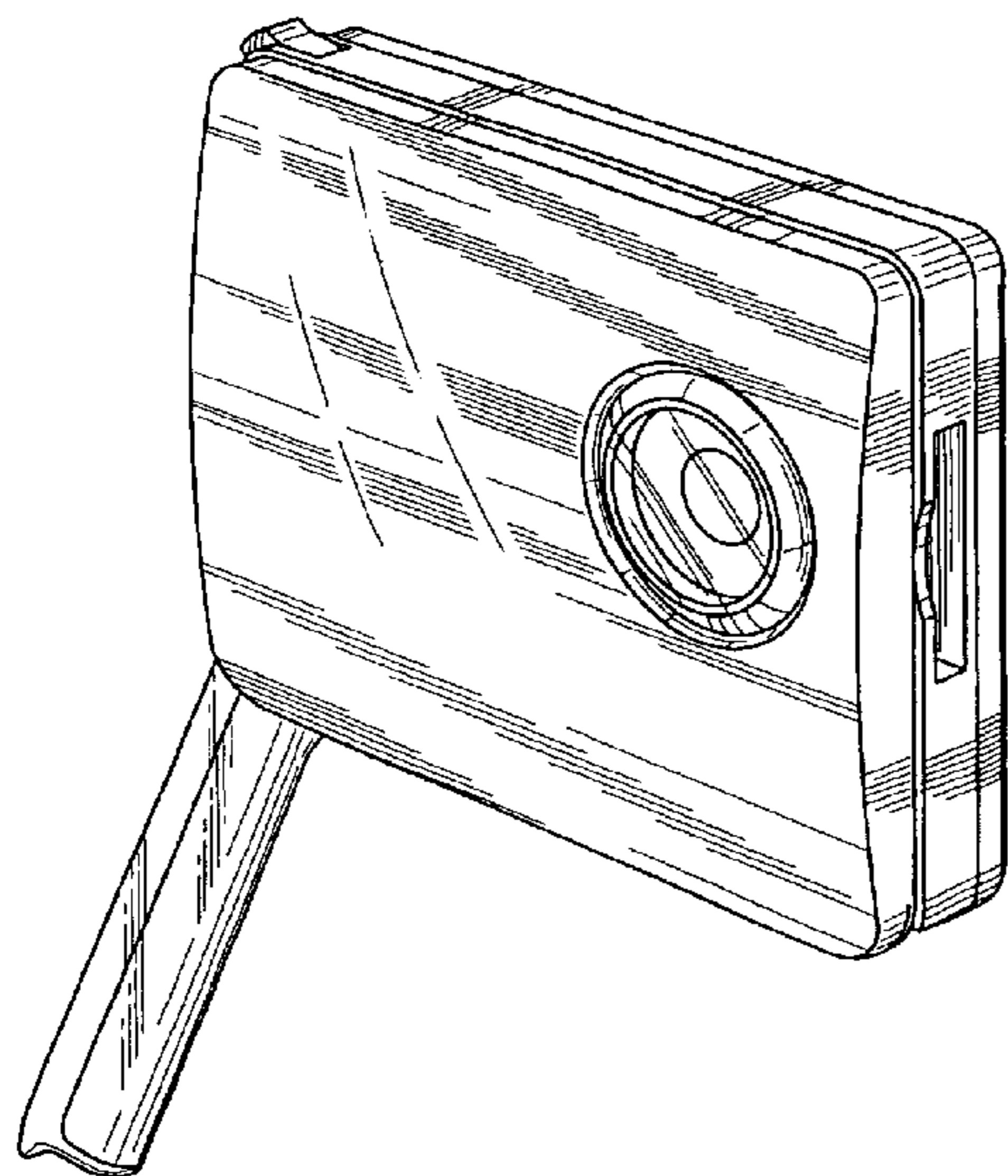
FIG. 5 is a second side view thereof;

FIG. 6 is a bottom view thereof;

FIG. 7 is a rear view thereof; and,

FIG. 8 is a top front perspective view of a video camera for semiconductor memory card of the present invention, wherein the hand grip is in a closed position.

**1 Claim, 5 Drawing Sheets**



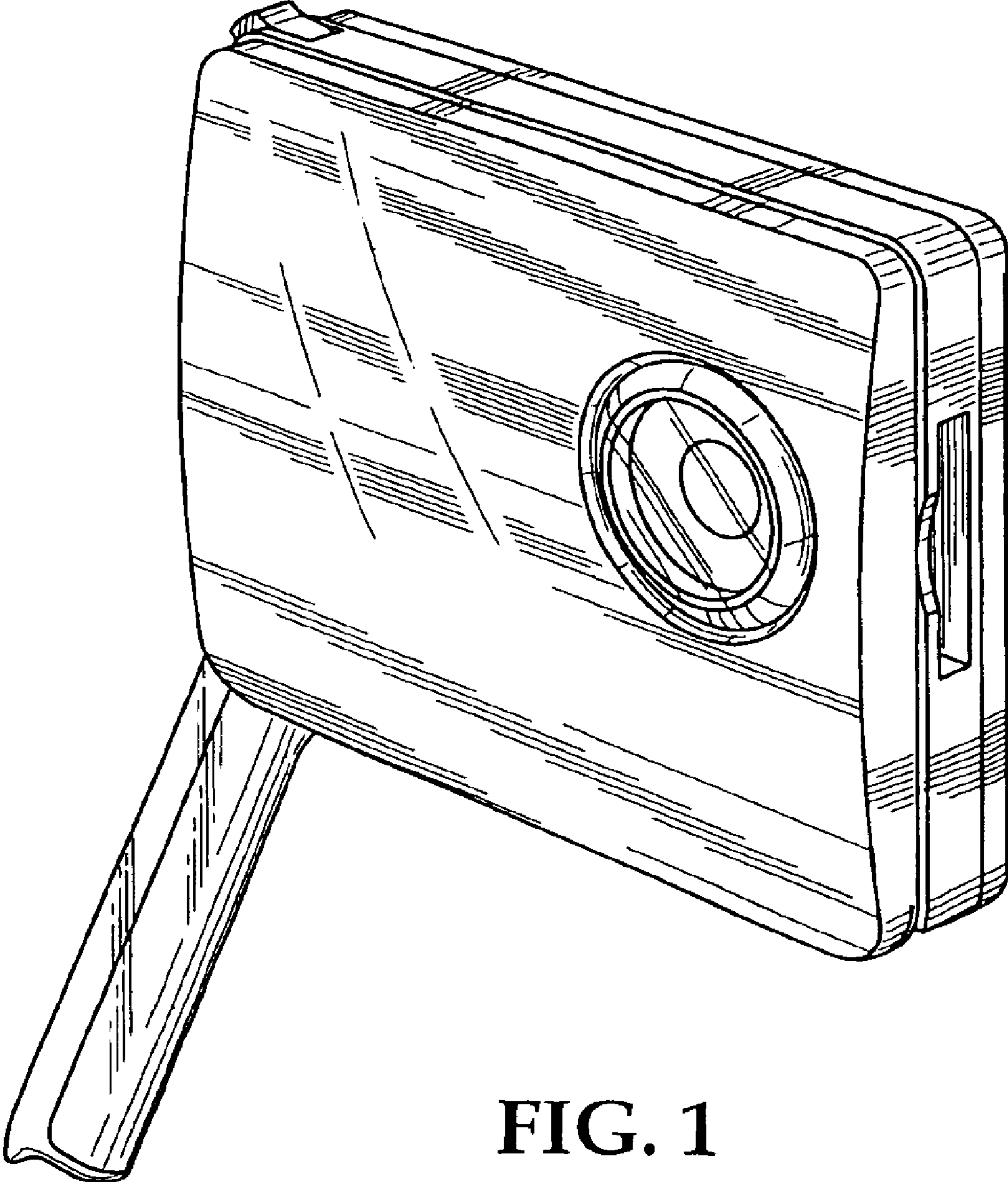


FIG. 1

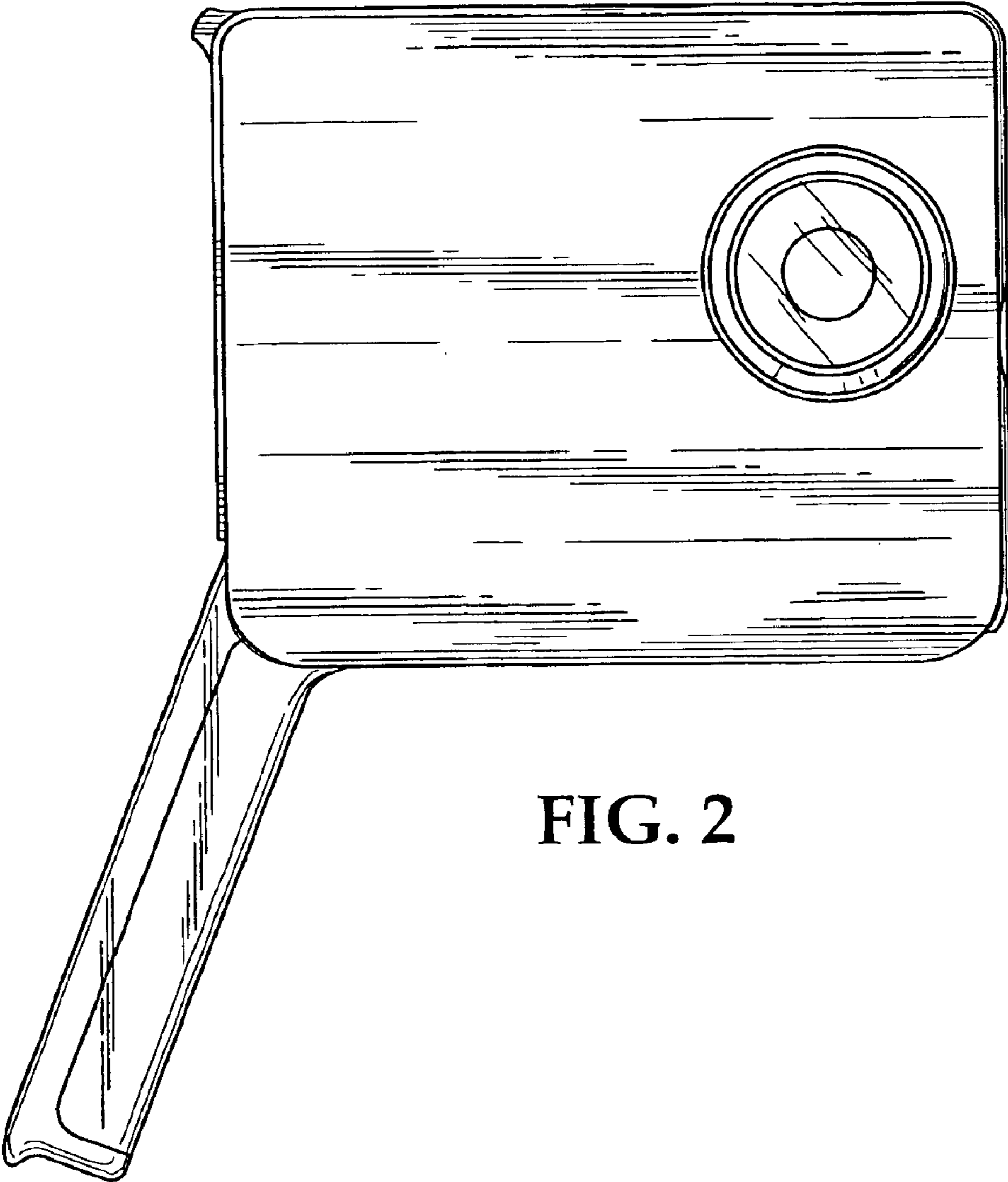


FIG. 2

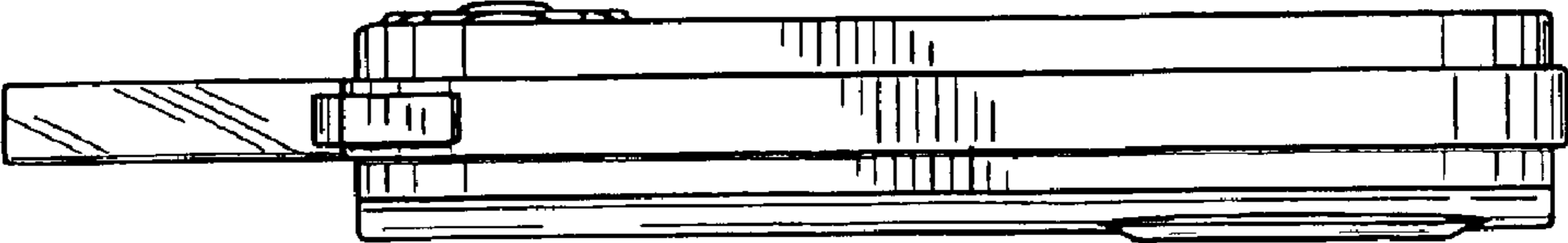


FIG. 3

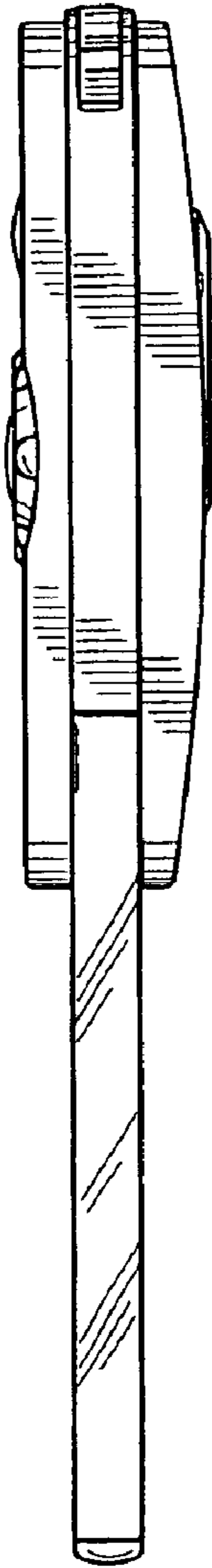


FIG. 4

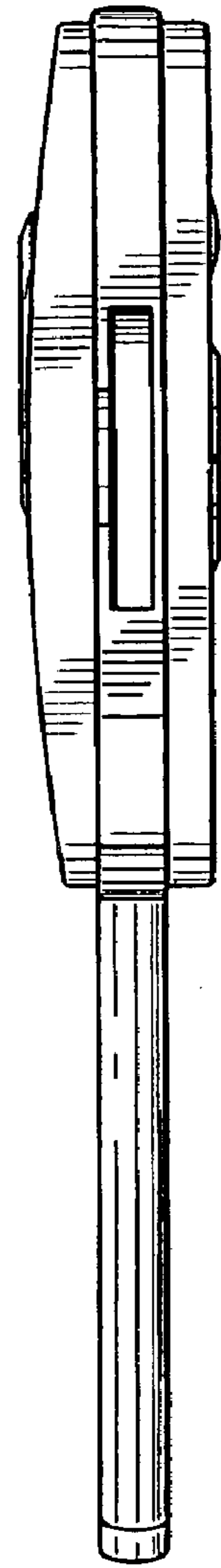


FIG. 5



FIG. 6

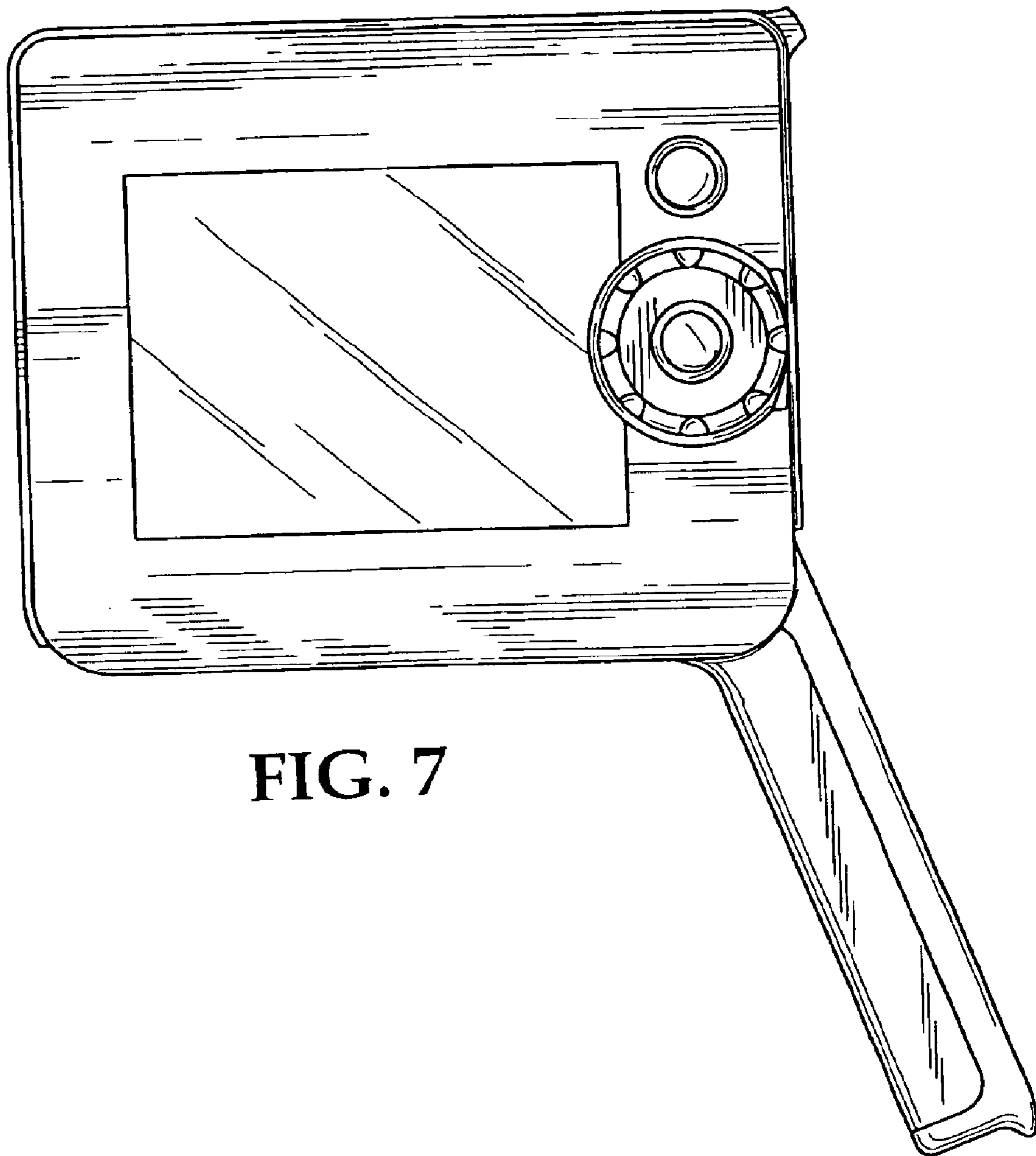


FIG. 7

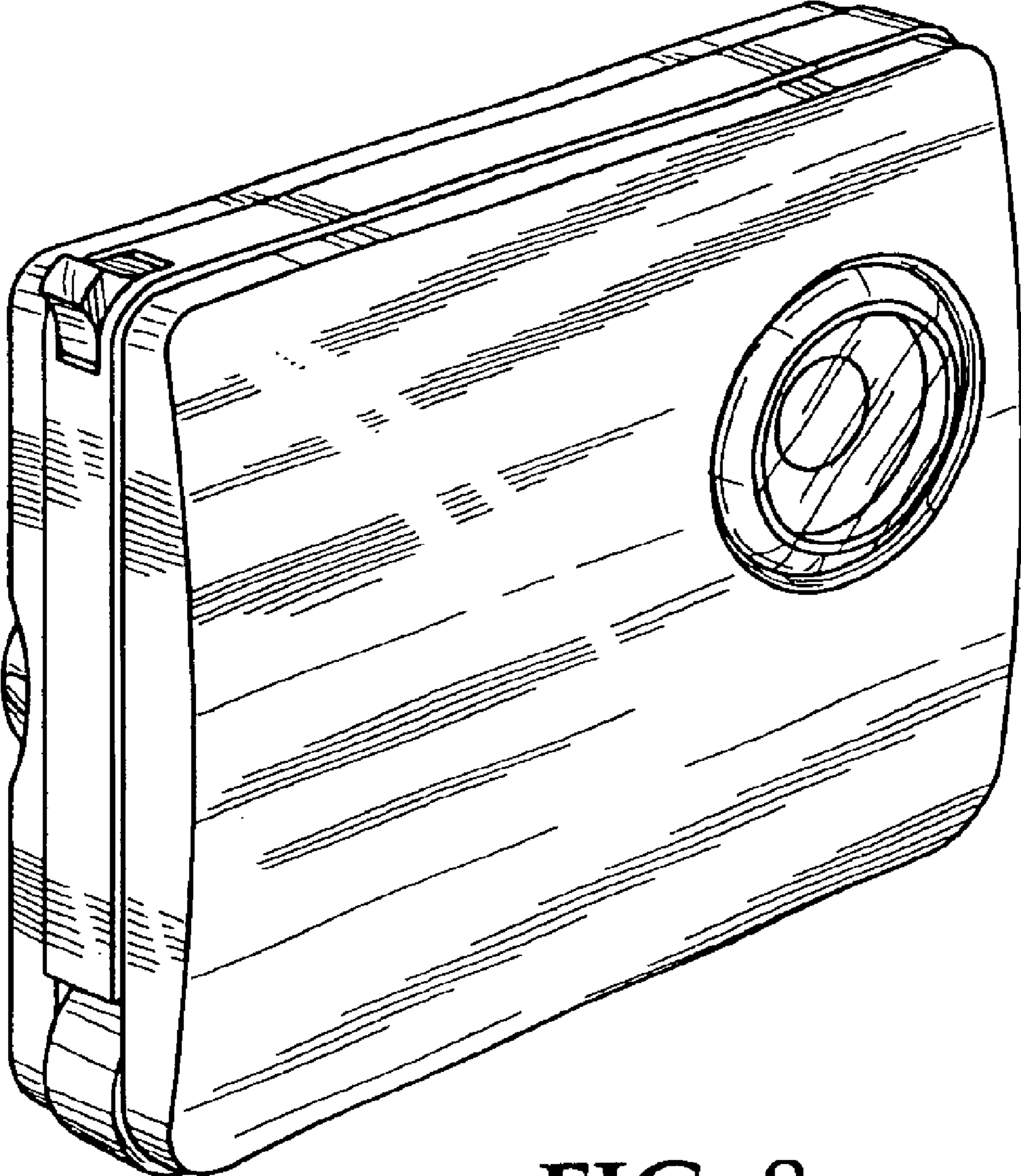


FIG. 8