

US00D502197S

(12) **United States Design Patent**
Imai

(10) **Patent No.:** **US D502,197 S**
(45) **Date of Patent:** **** Feb. 22, 2005**

- (54) **ELECTRONIC CAMERA**
- (75) **Inventor:** **Masazumi Imai, Tokyo (JP)**
- (73) **Assignee:** **Fuji Photo Film Co., Ltd., Kanagawa (JP)**
- (**) **Term:** **14 Years**
- (21) **Appl. No.:** **29/203,886**
- (22) **Filed:** **Apr. 22, 2004**
- (30) **Foreign Application Priority Data**
Nov. 20, 2003 (JP) 2003-034663
- (51) **LOC (7) Cl.** **16-01**
- (52) **U.S. Cl.** **D16/202**
- (58) **Field of Search** D16/200-205,
D16/208, 218; 348/373-376; 358/906, 909.1;
396/535-541

- D450,734 S * 11/2001 Shinano D16/202
- D479,547 S * 9/2003 Nagayama D16/202
- D494,201 S * 8/2004 Chen D16/202
- D494,203 S * 8/2004 Yoo D16/202

* cited by examiner

Primary Examiner—Adir Aronovich
(74) *Attorney, Agent, or Firm*—Young & Thompson

(57) **CLAIM**

The ornamental design for an electronic camera, as shown and described.

DESCRIPTION

FIG. 1 is a top, front and side perspective view of an electronic camera showing my new design; FIG. 2 is a front elevational view thereof; FIG. 3 is a rear elevational view thereof; FIG. 4 is a top plan view thereof; FIG. 5 is a bottom plan view thereof; and, FIG. 6 is a side elevational view thereof from the left of FIG. 2, the appearance of the side opposite that shown in FIG. 6 being identical thereto.

(56) **References Cited**

U.S. PATENT DOCUMENTS

- D200,126 S * 1/1965 Drucker D16/200
- 6,148,149 A * 11/2000 Kagle 358/909.1

1 Claim, 3 Drawing Sheets

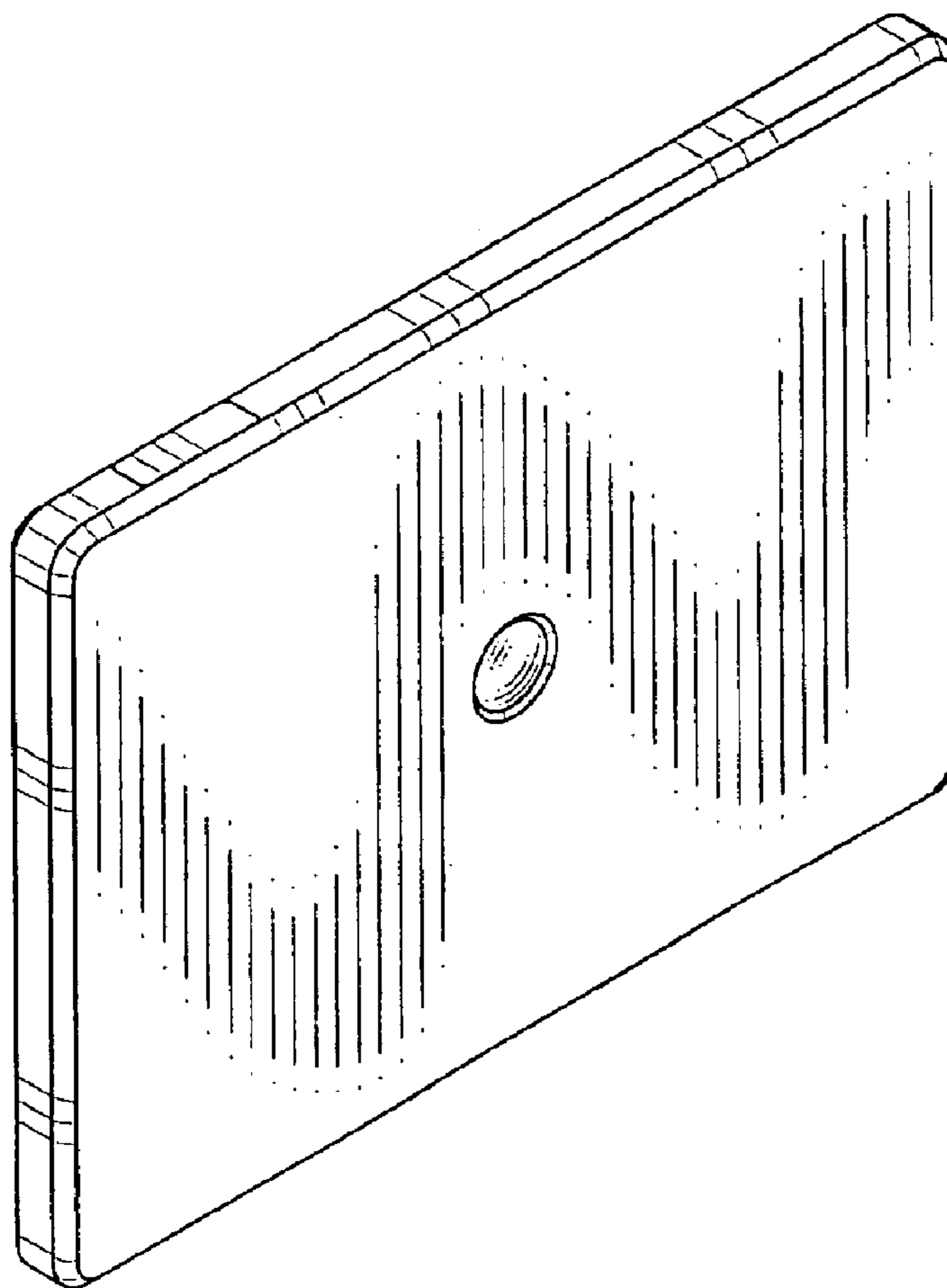


FIG. 1

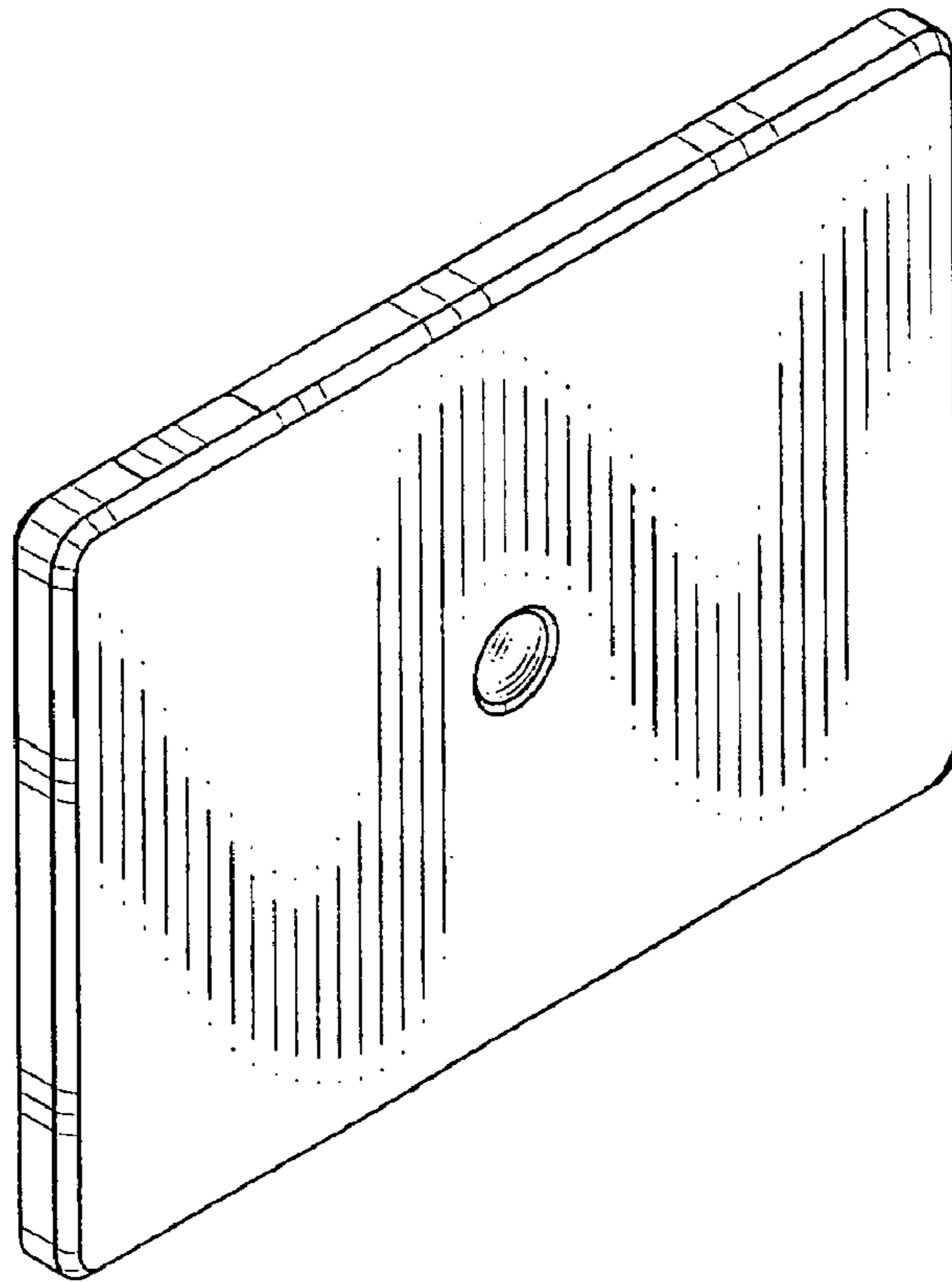


FIG. 2

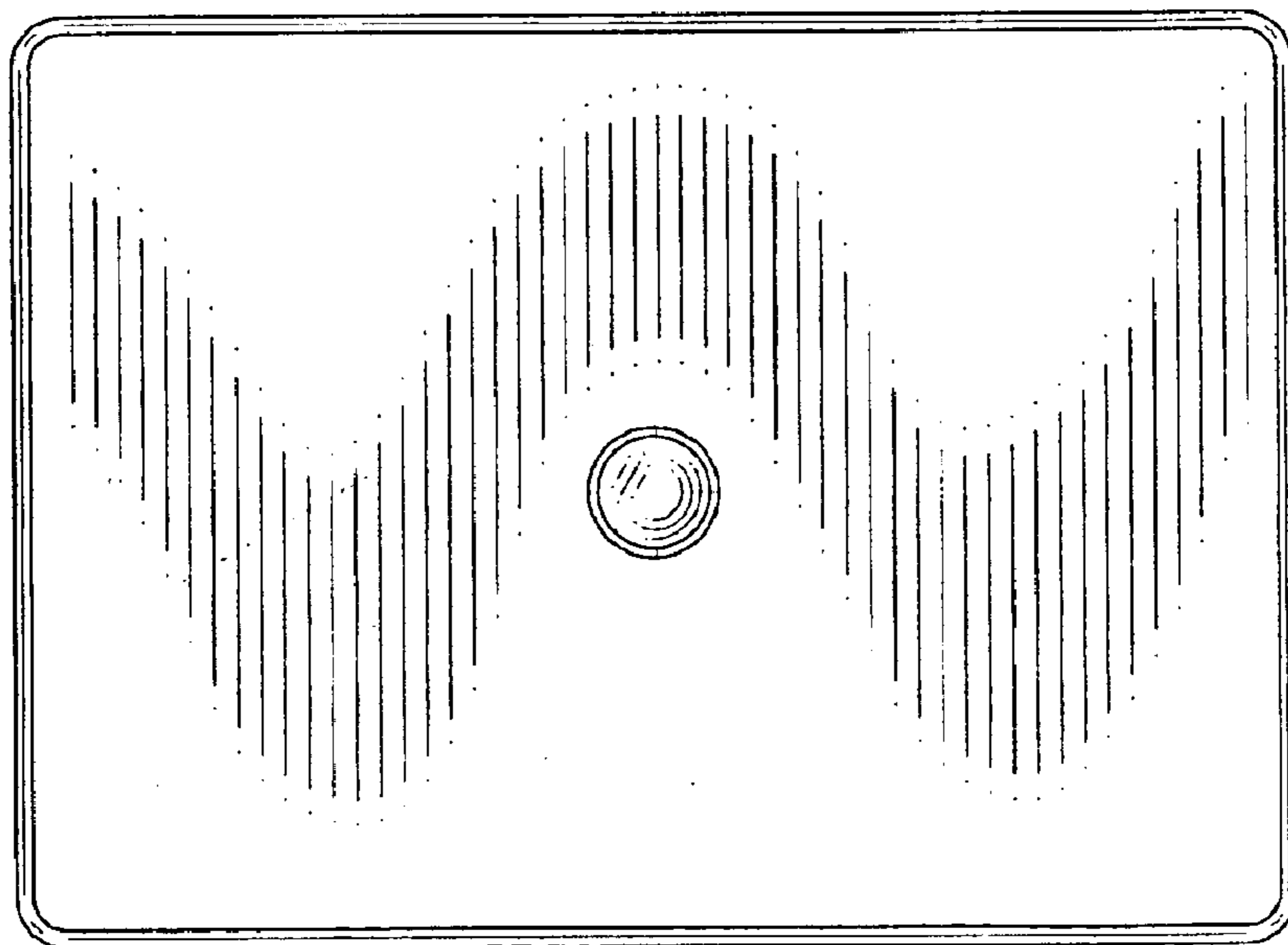


FIG.3

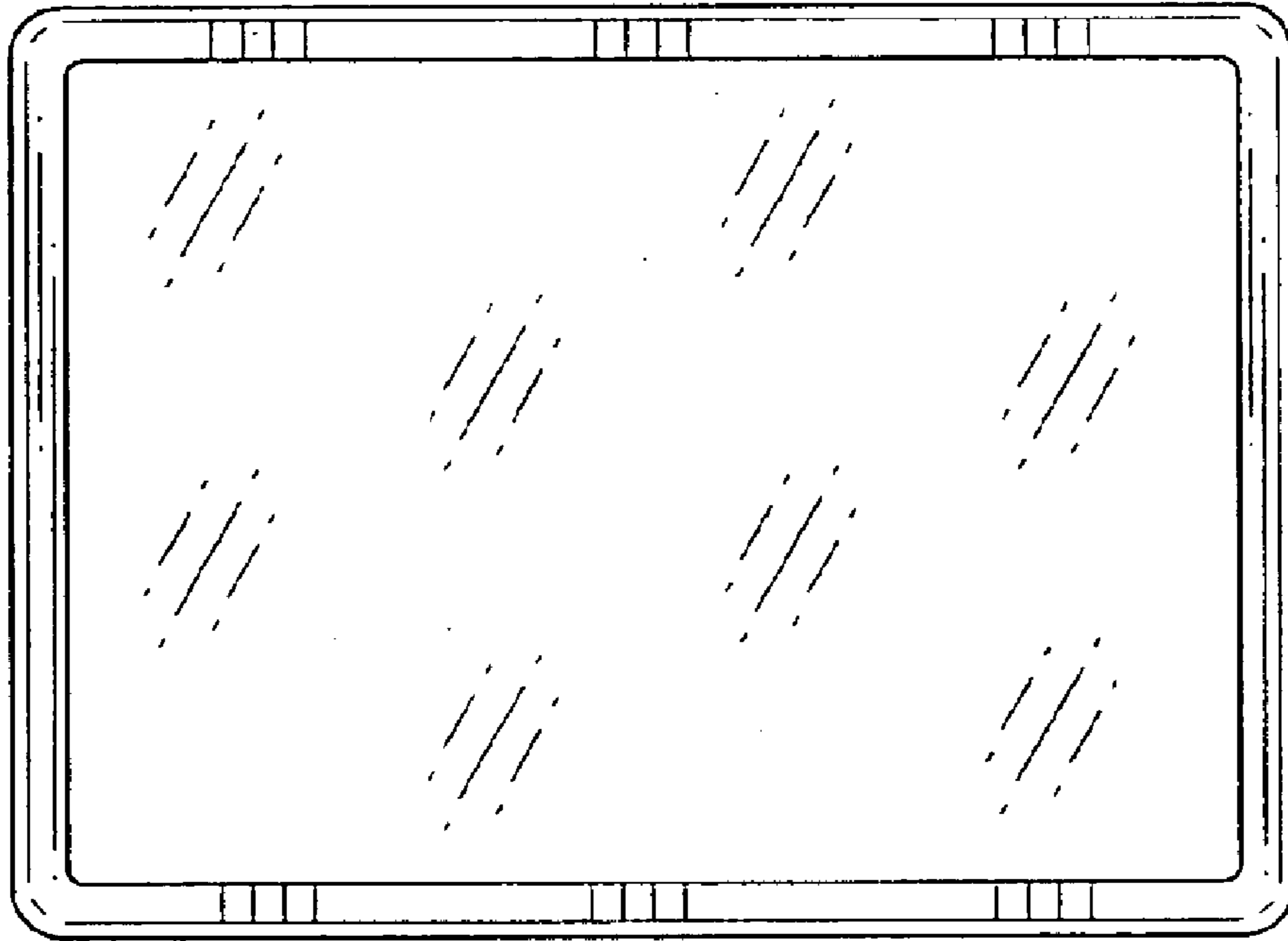


FIG.4



FIG.5



FIG.6

