



US00D502196S

(12) **United States Design Patent**
Miyazaki

(10) **Patent No.:** **US D502,196 S**

(45) **Date of Patent:** **** Feb. 22, 2005**

(54) **VIDEO CAMERA**

(75) Inventor: **Tetsuro Miyazaki**, Tokyo (JP)

(73) Assignee: **Sony Corporation**, Tokyo (JP)

(**) Term: **14 Years**

(21) Appl. No.: **29/199,504**

(22) Filed: **Feb. 18, 2004**

(51) **LOC (7) Cl.** **16-01**

(52) **U.S. Cl.** **D16/202; D16/203**

(58) **Field of Search** **D16/200–205,**
D16/208, 218; 348/14.01–14.1, 14.11, 143,
151, 373, 374–376; 396/427, 535, 536–541

(56) **References Cited**

U.S. PATENT DOCUMENTS

D438,223 S	*	2/2001	Kawashima	D16/202
D458,289 S		6/2002	Ogura		
D458,621 S	*	6/2002	Kawashima	D16/202
D467,952 S		12/2002	Nakamura		
6,503,000 B1	*	1/2003	Kim	396/427
D476,345 S	*	6/2003	Phelps et al.	D16/202
D478,108 S		8/2003	Miyazaki		
D487,475 S	*	3/2004	Uehara	D16/202
D487,764 S	*	3/2004	Adachi et al.	D16/203

FOREIGN PATENT DOCUMENTS

WO 059952 * 4/2002

OTHER PUBLICATIONS

Web page “Sony Global—ISP Homepage Products List, EVI-D70/D70P” <http://www.sony.net.Products/ISP/products/ptz/EVID70.html>, 1 sheet, Sony (Dec. 2003).

Web page “Sony Global—ISP Homepage Products List, EVI-D100/D100P” <http://www.sony.net.Products/ISP/products/ptz/EVID100.html>, 1 sheet, Sony (Dec. 2003).

* cited by examiner

Primary Examiner—Adir Aronovich

(74) *Attorney, Agent, or Firm*—Rader, Fishman & Grauer PLLC

(57) **CLAIM**

The ornamental design for a video camera, as shown.

DESCRIPTION

FIG. 1 is a front right top perspective view of a video camera showing my new design;

FIG. 2 is a front left bottom perspective view of a video camera showing my new design;

FIG. 3 is a front elevational view thereof;

FIG. 4 is a rear elevational view thereof;

FIG. 5 is a left side elevational view thereof;

FIG. 6 is a right side elevational view thereof;

FIG. 7 is a top plan view thereof; and,

FIG. 8 is a bottom plan view thereof.

1 Claim, 5 Drawing Sheets

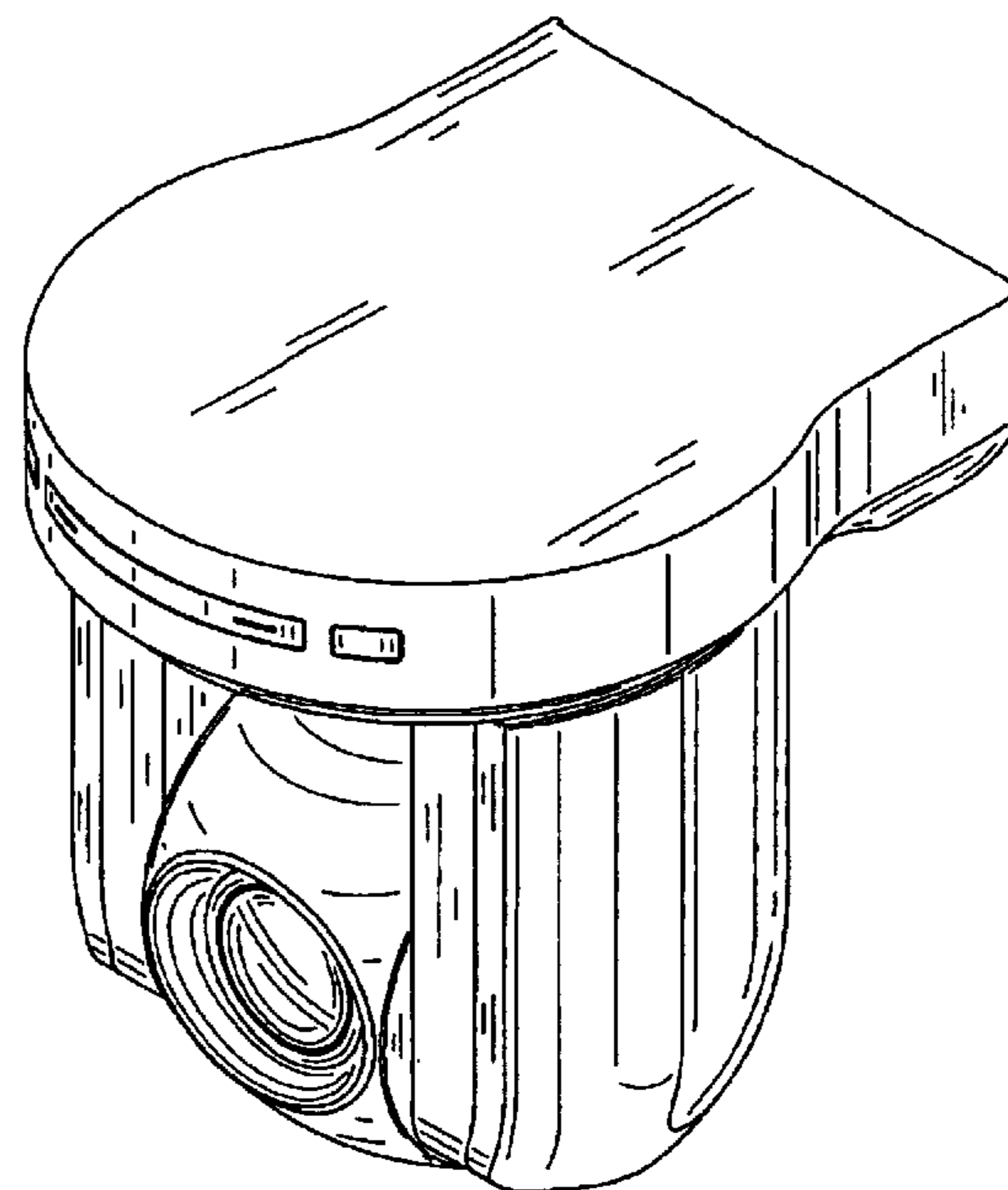
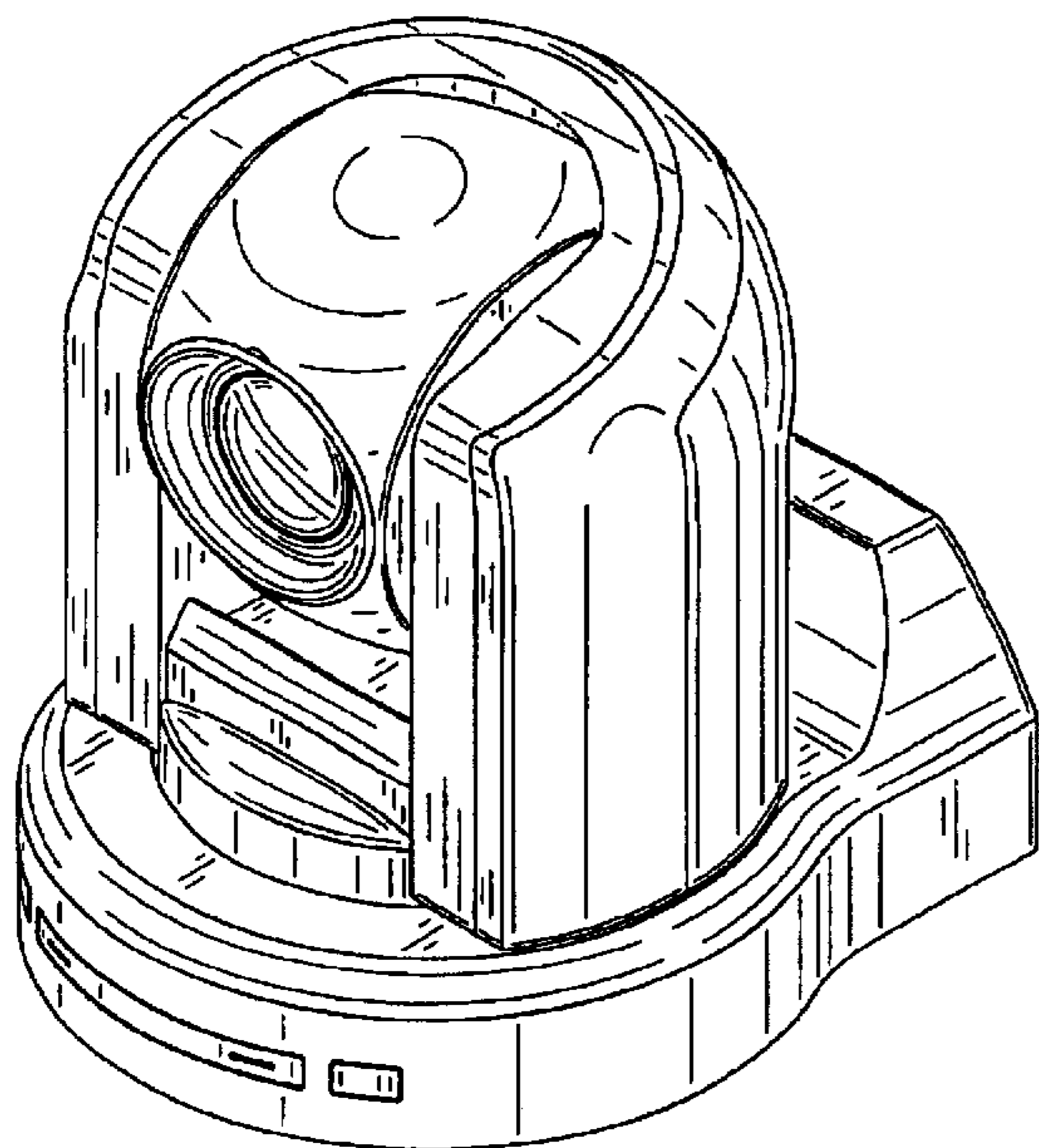


Fig. 1

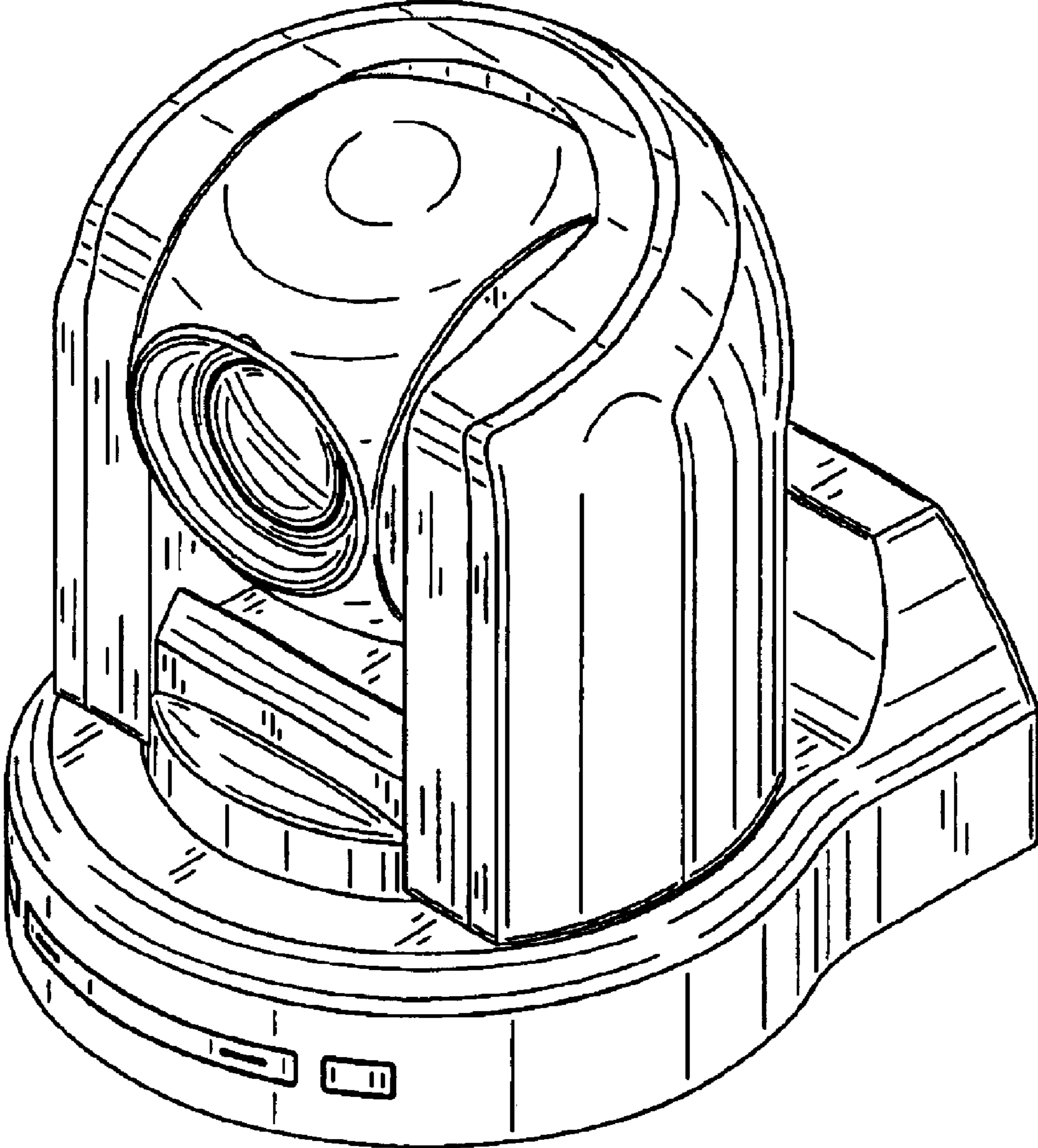


Fig.2

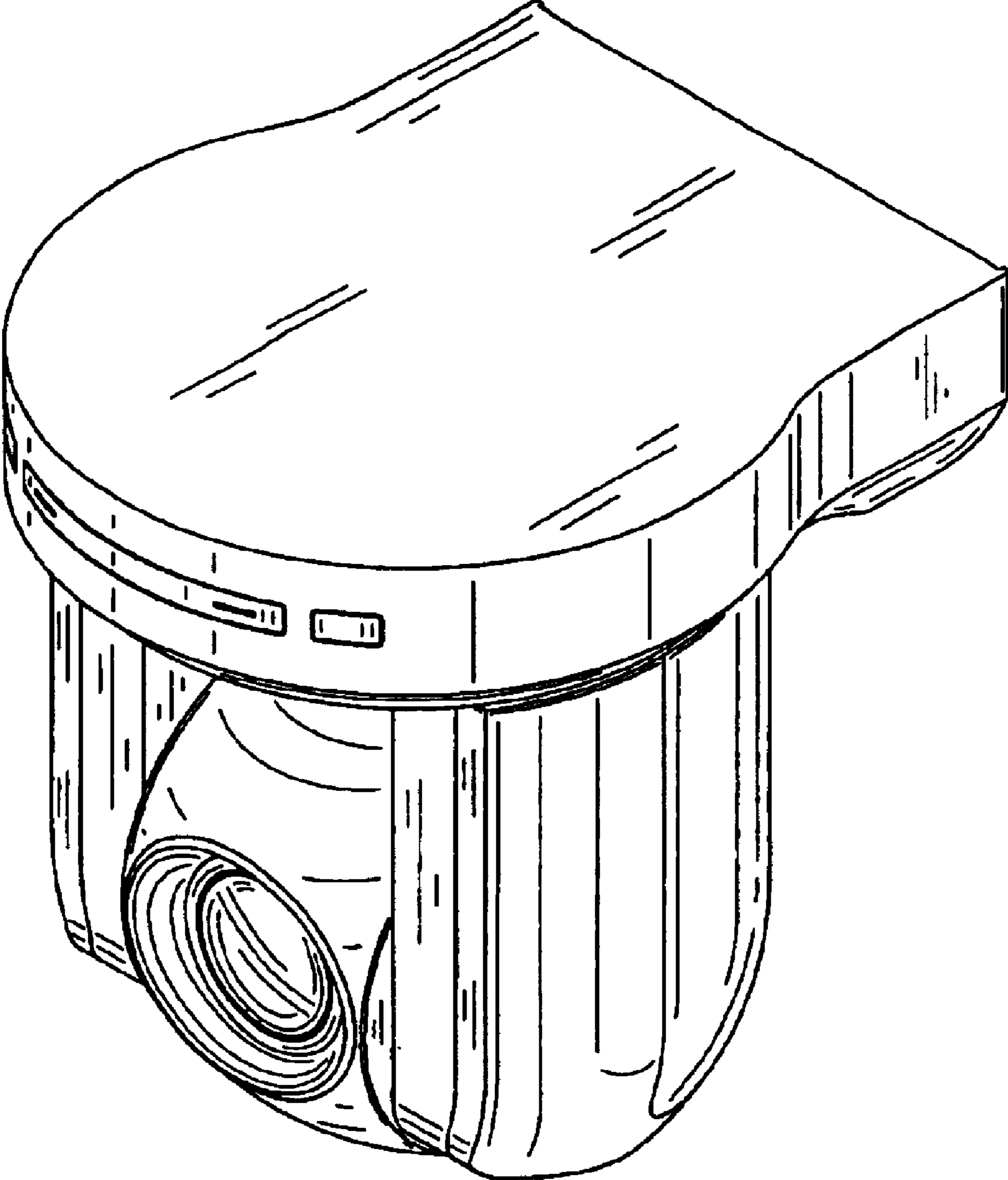


Fig.3

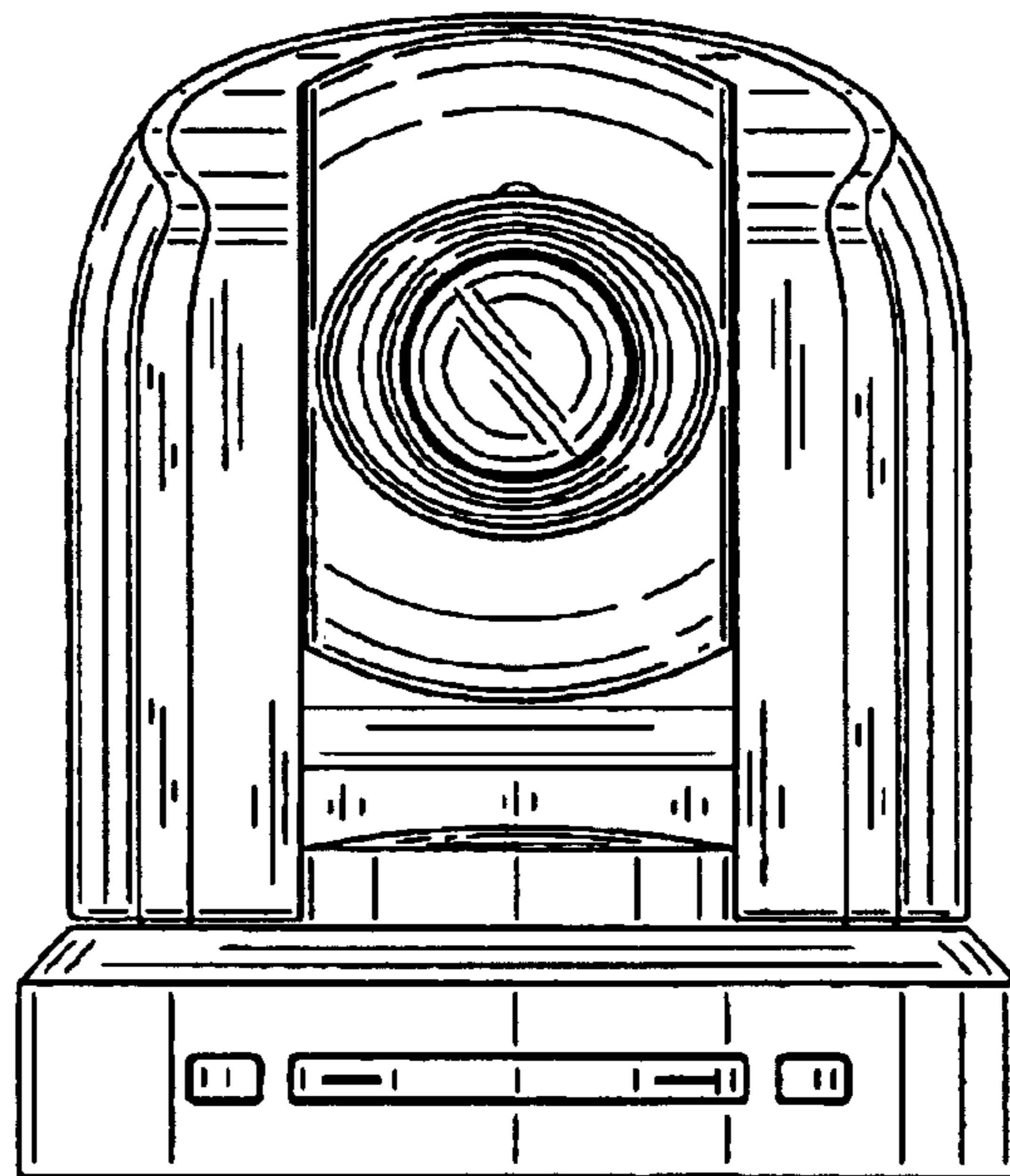


Fig.4

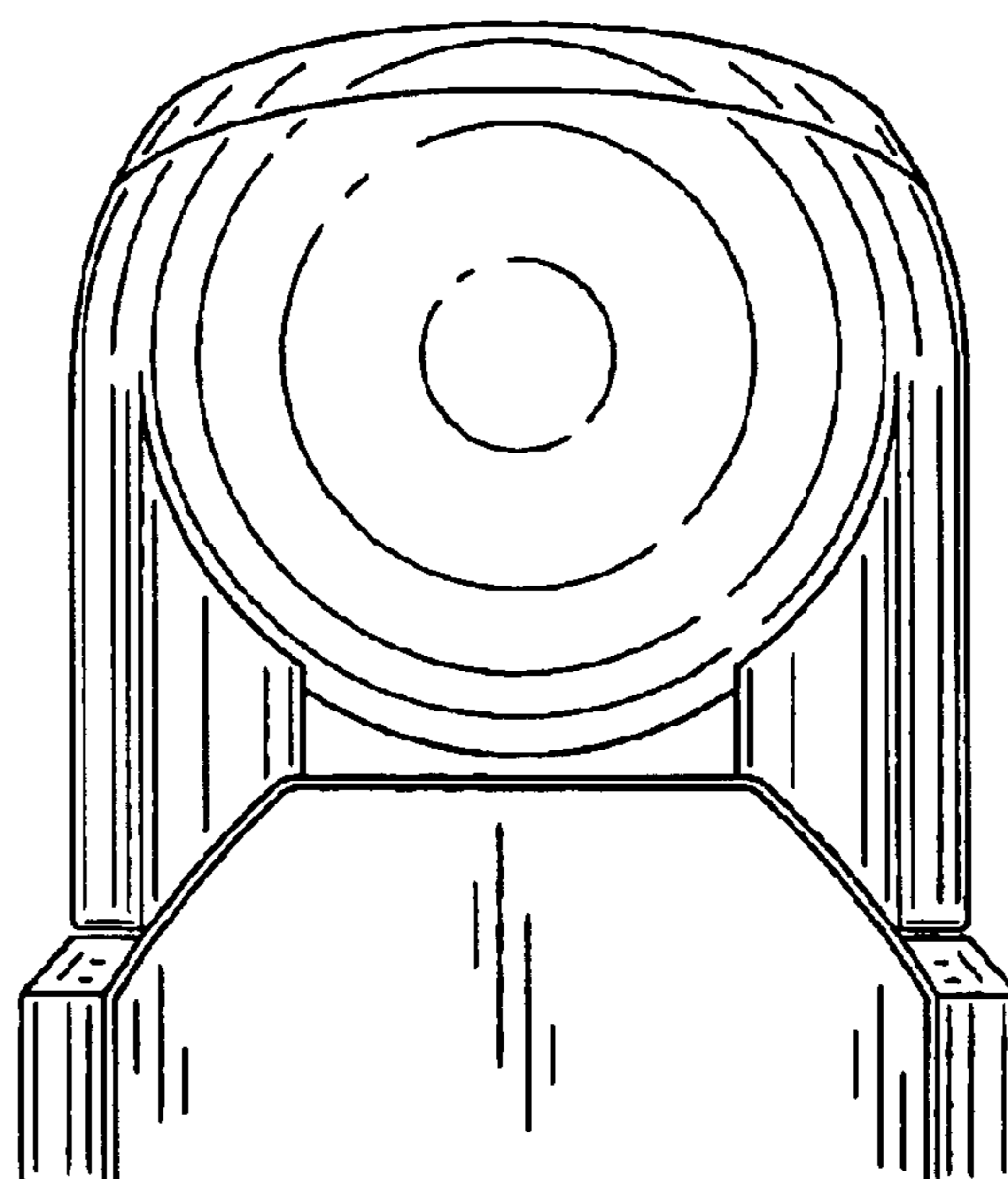


Fig.5

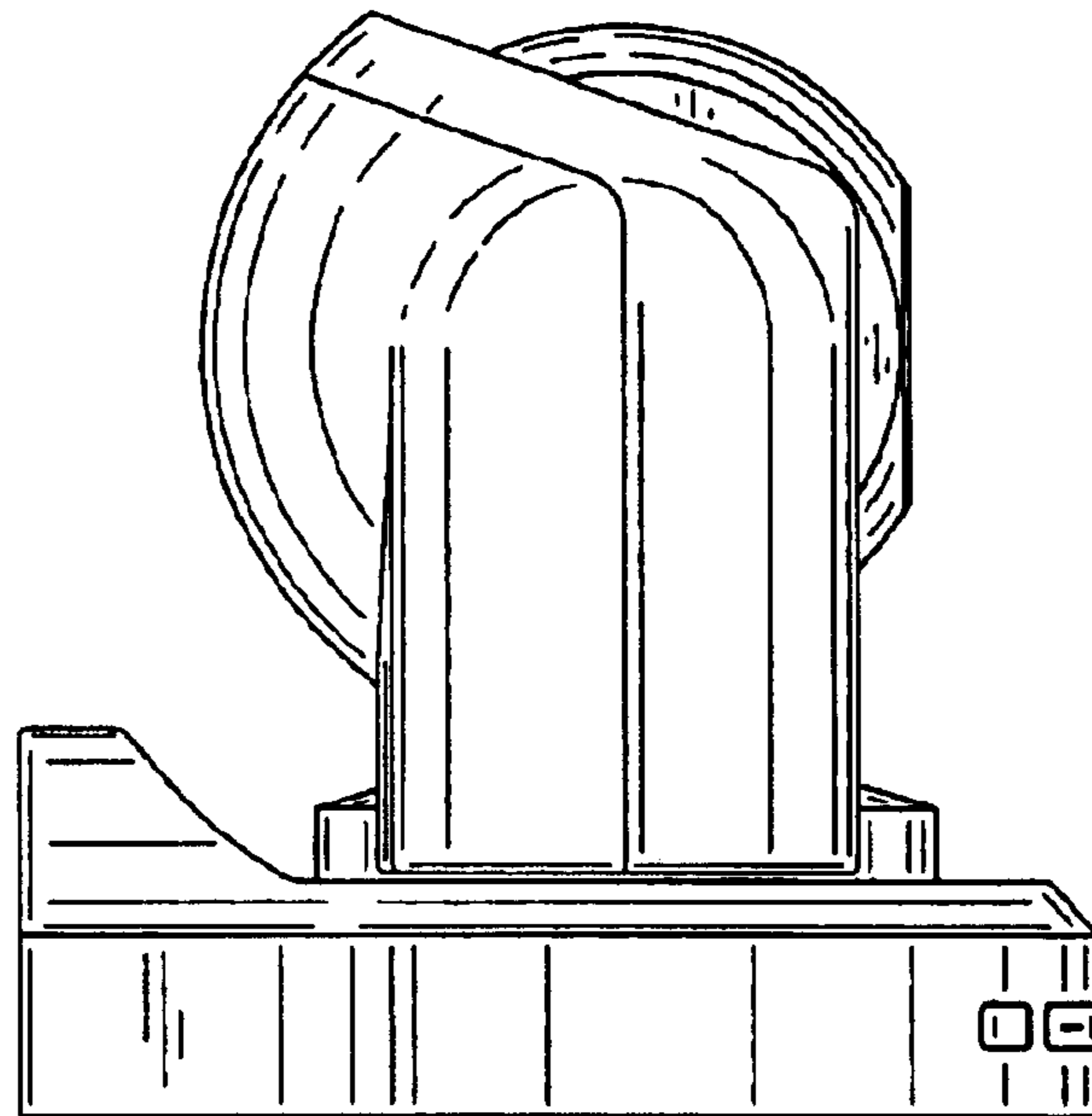


Fig.6

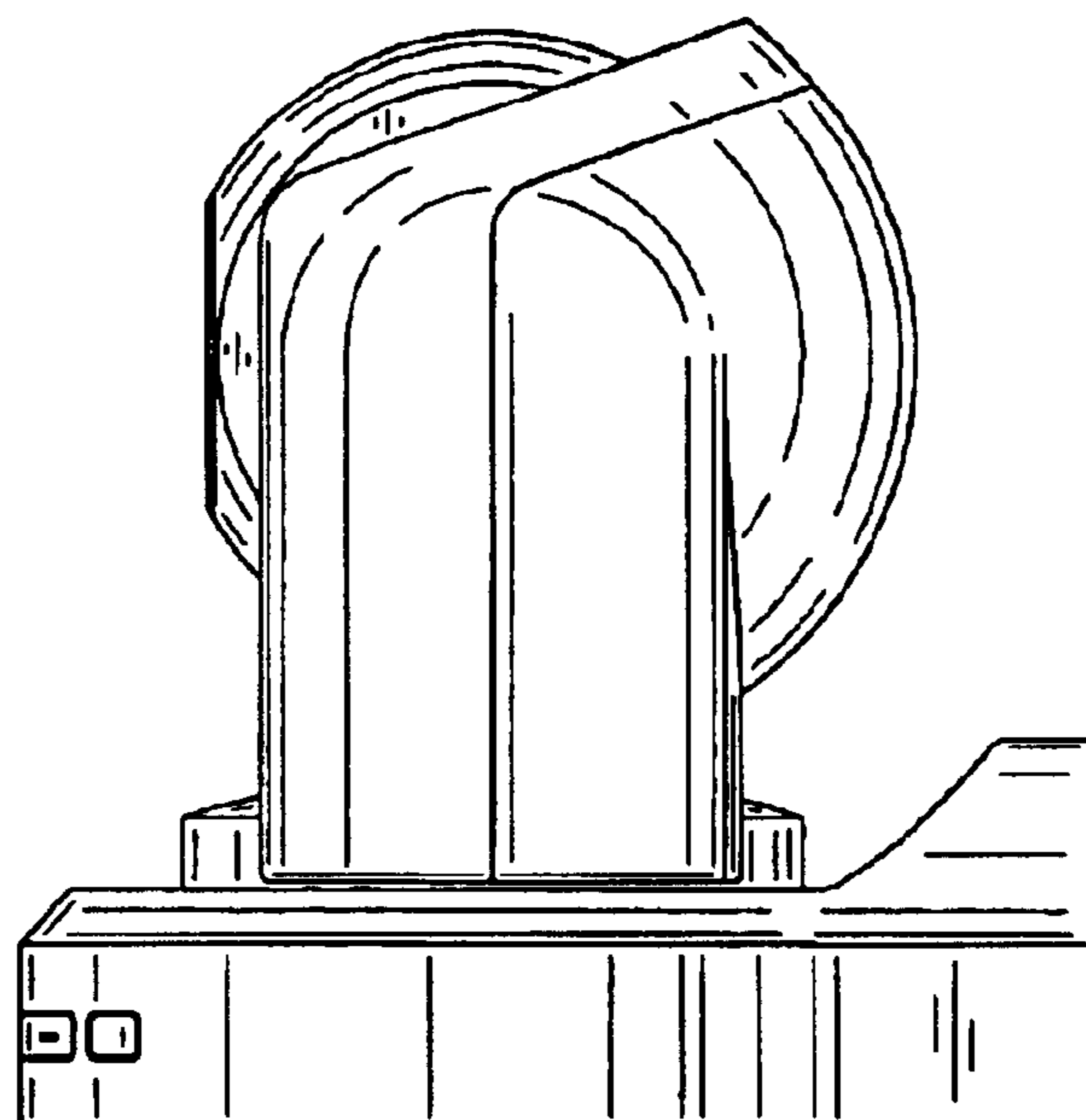


Fig.7

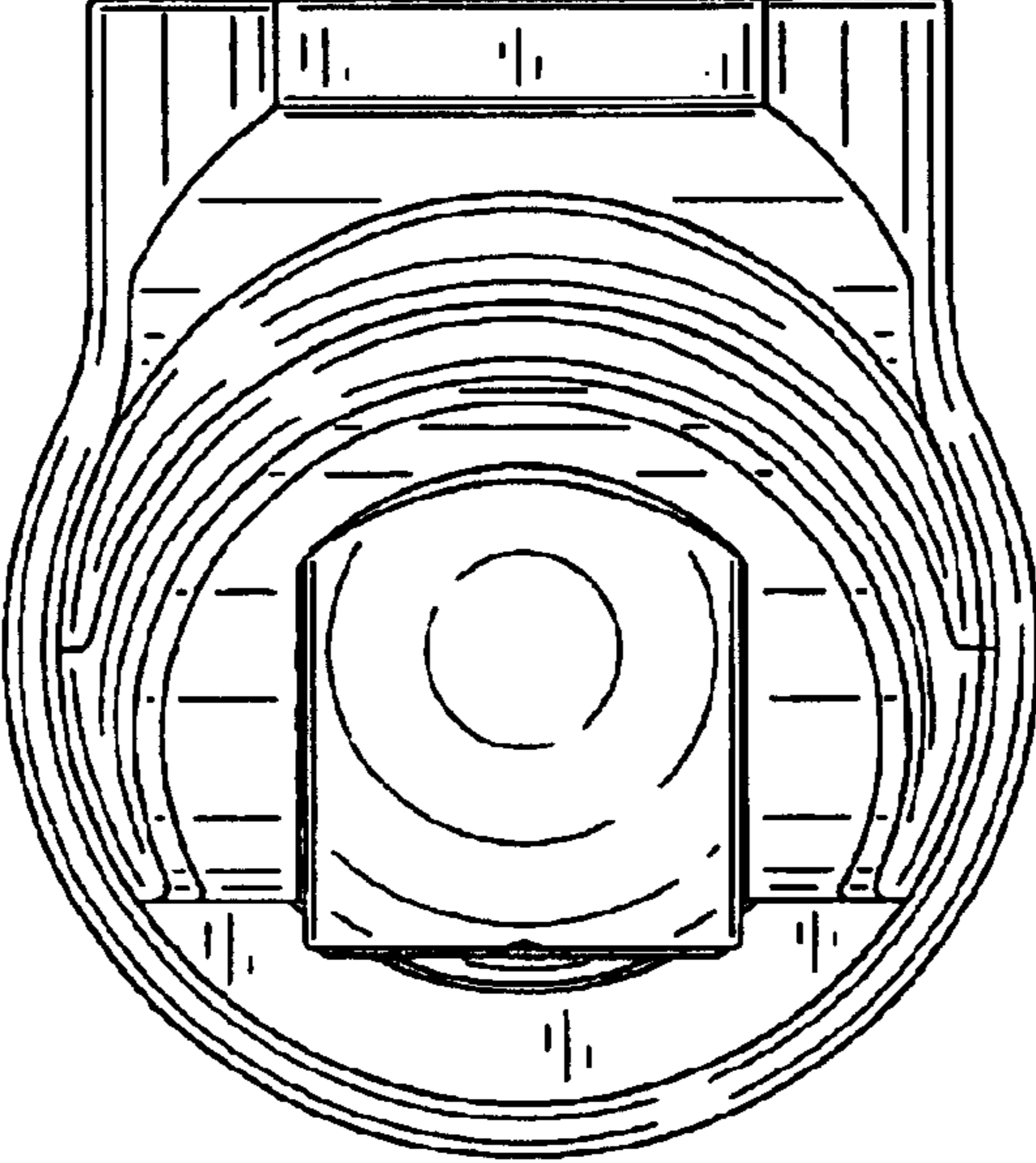


Fig.8

