



US00D502195S

(12) **United States Design Patent** (10) **Patent No.:** **US D502,195 S**
Shimobayashi (45) **Date of Patent:** **** Feb. 22, 2005**

(54) **DIGITAL CAMERA**

(75) Inventor: **Koji Shimobayashi**, Hachioji (JP)

(73) Assignee: **Olympus Corporation**, Tokyo (JP)

(**) Term: **14 Years**

(21) Appl. No.: **29/194,383**

(22) Filed: **Nov. 24, 2003**

(30) **Foreign Application Priority Data**

Sep. 19, 2003 (JP) 2003-027547
 Sep. 19, 2003 (JP) 2003-027548

(51) **LOC (7) Cl.** **16-01**

(52) **U.S. Cl.** **D16/202; D16/212**

(58) **Field of Search** **D16/200-204, D16/208, 209, 211, 212, 218, 219; 348/373-376; 358/909.1; 396/349, 448, 535-541**

(56) **References Cited**

U.S. PATENT DOCUMENTS

D392,660 S * 3/1998 Kim et al. D16/209
 6,424,803 B1 * 7/2002 Mikami et al. 396/448
 D465,800 S * 11/2002 Suzuki et al. D16/202
 D483,786 S * 12/2003 Urushihata D16/212
 D485,288 S * 1/2004 Watarai D16/212

OTHER PUBLICATIONS

Olympus Corporation Catalog showing a digital camera (CAMEDIA X-2), Published Dec. 2002.

* cited by examiner

Primary Examiner—Adir Aronovich
(74) *Attorney, Agent, or Firm—Hogan & Hartson LLP*

(57) **CLAIM**

The ornamental design for a digital camera, as shown and described.

DESCRIPTION

FIG. 1 is a front, top and right side perspective view of a digital camera with a barrier in a closed state, showing my new design;

FIG. 2 is a front, top and right side perspective view thereof, with a barrier in an opened state and lens in an extended position;

FIG. 3 is a rear, top and left side perspective view of FIG. 1 with the barrier in a closed state;

FIG. 4 is a top plan view thereof;

FIG. 5 is a front elevational view thereof;

FIG. 6 is a bottom plan view thereof;

FIG. 7 is a right side elevational view thereof;

FIG. 8 is a left side elevational view thereof;

FIG. 9 is a rear elevational view thereof;

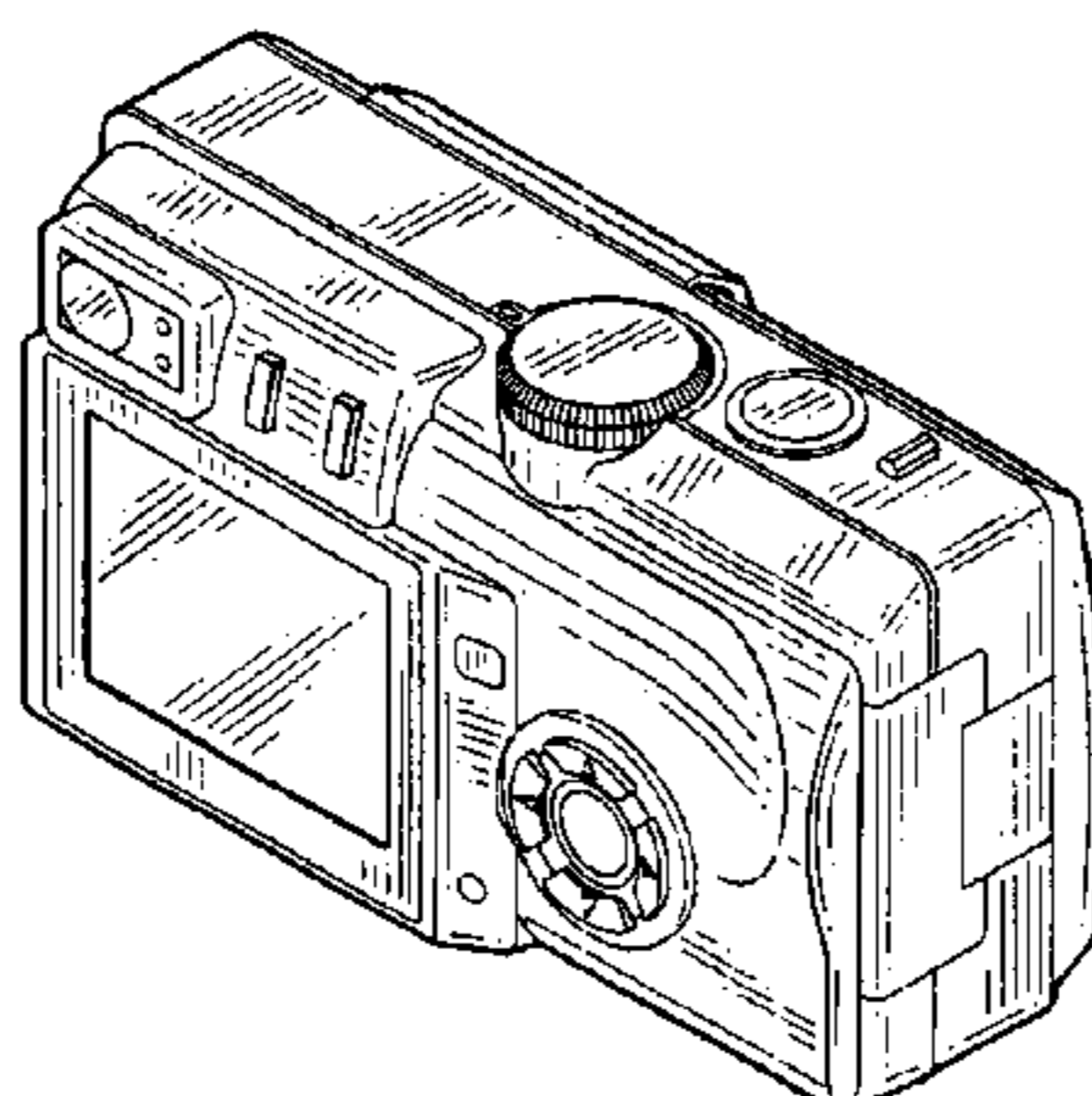
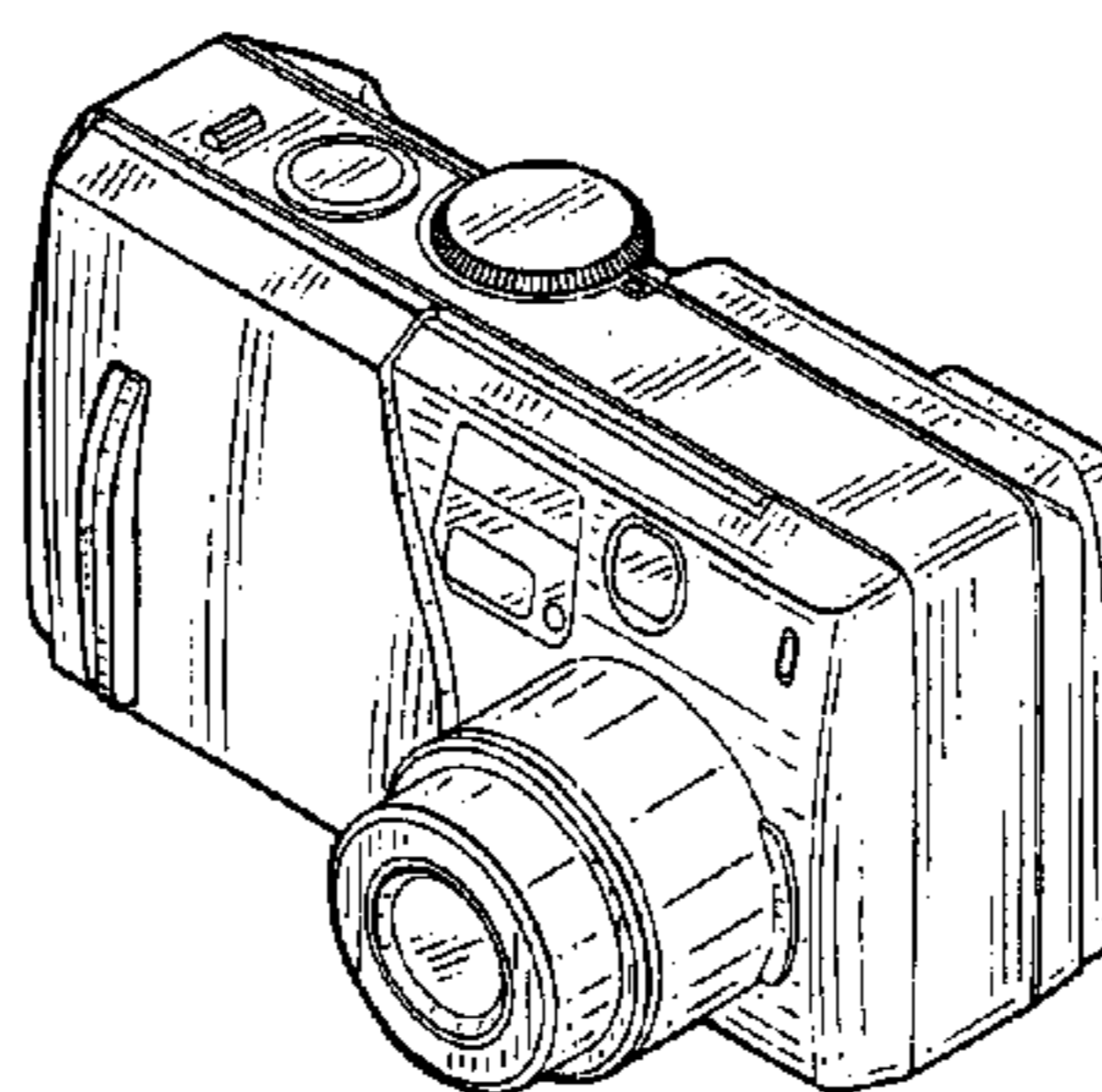
FIG. 10 is a top plan view thereof, with a barrier in an opened state and lens in an extended position;

FIG. 11 is a front elevational view thereof with the barrier in an opened state; and,

FIG. 12 is a right side elevational view thereof with the barrier in an opened state.

The broken lines are for illustrative purposes only and form no part of the claimed design.

1 Claim, 5 Drawing Sheets



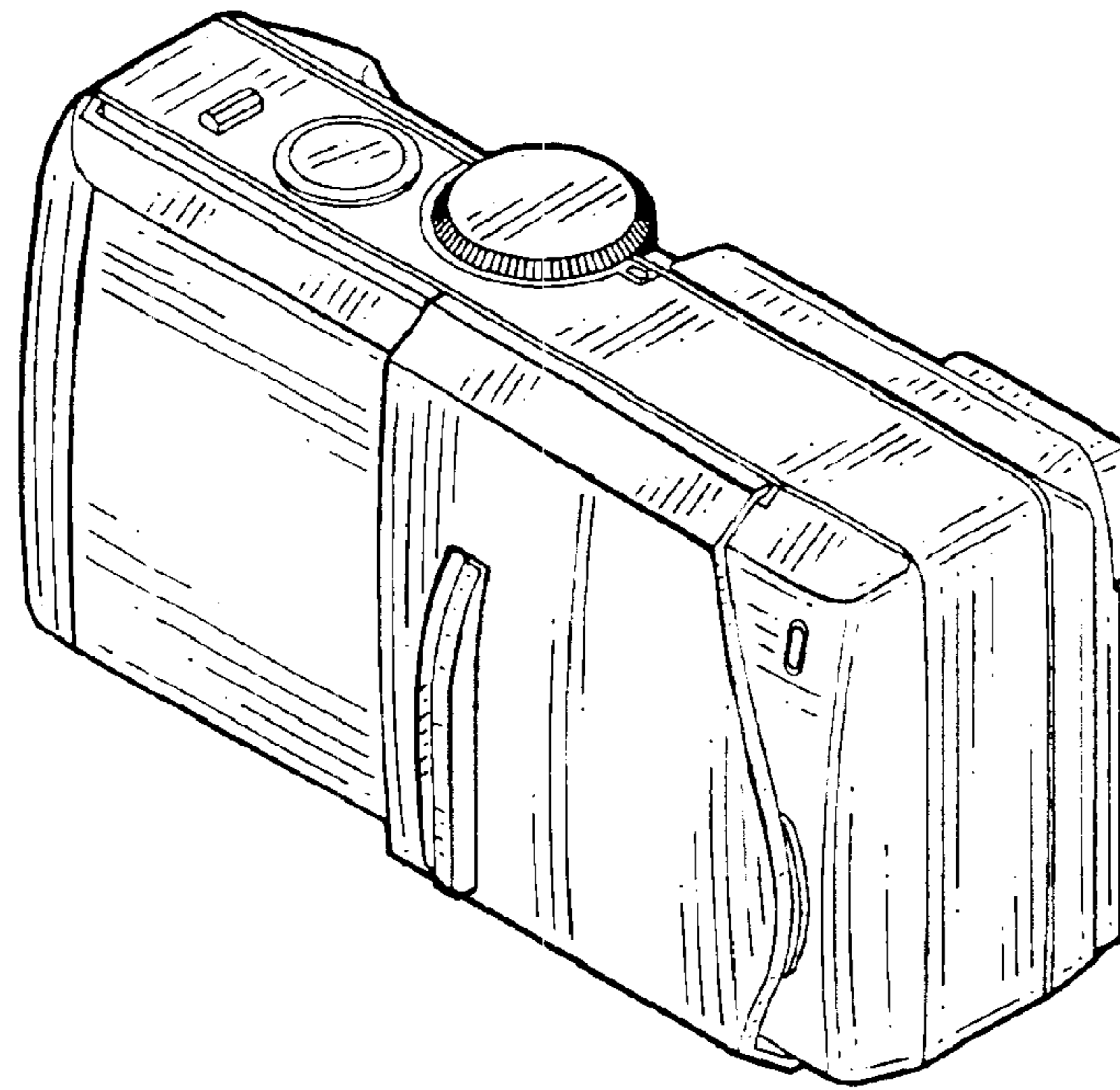


FIG. 1

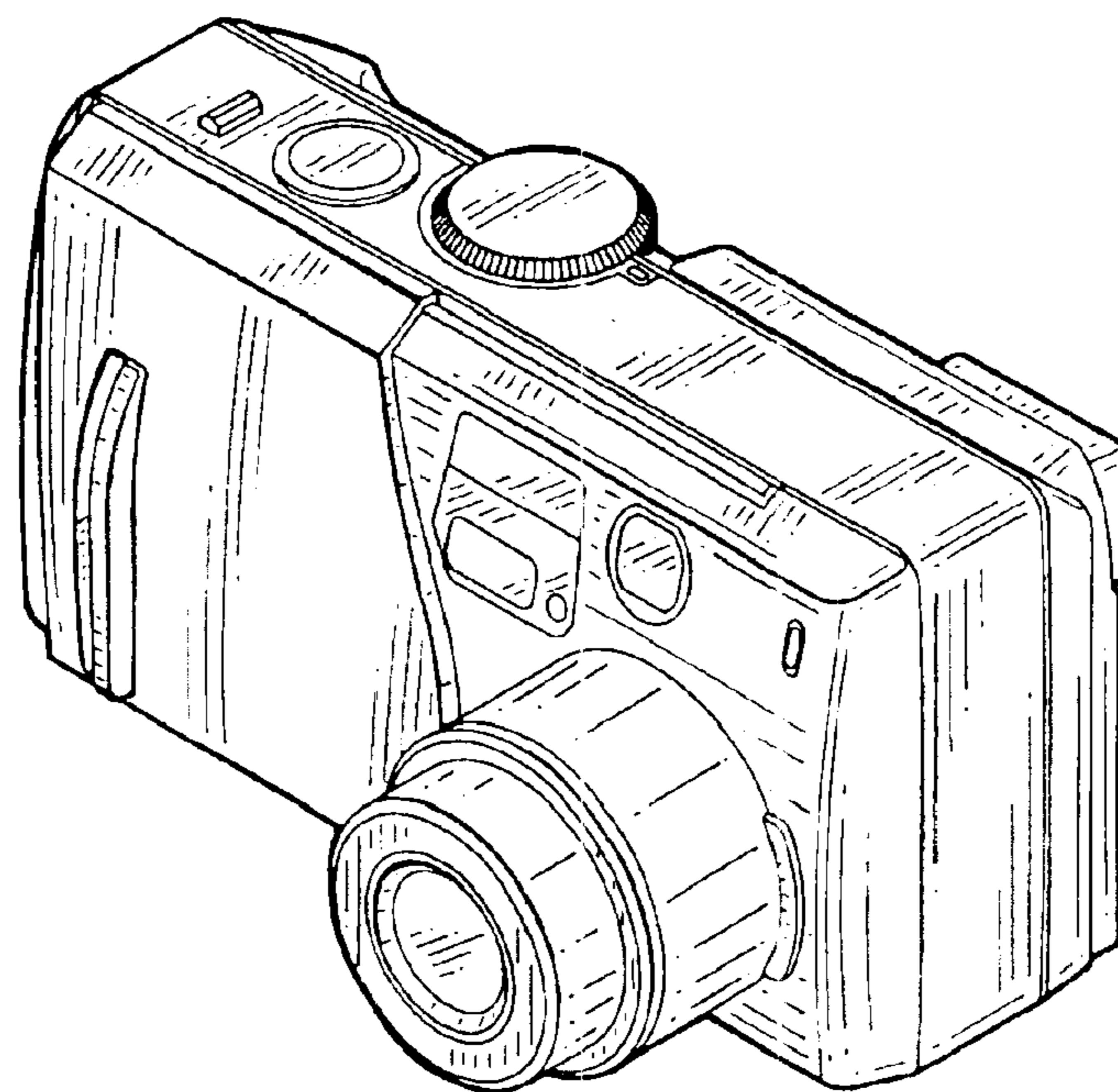


FIG. 2

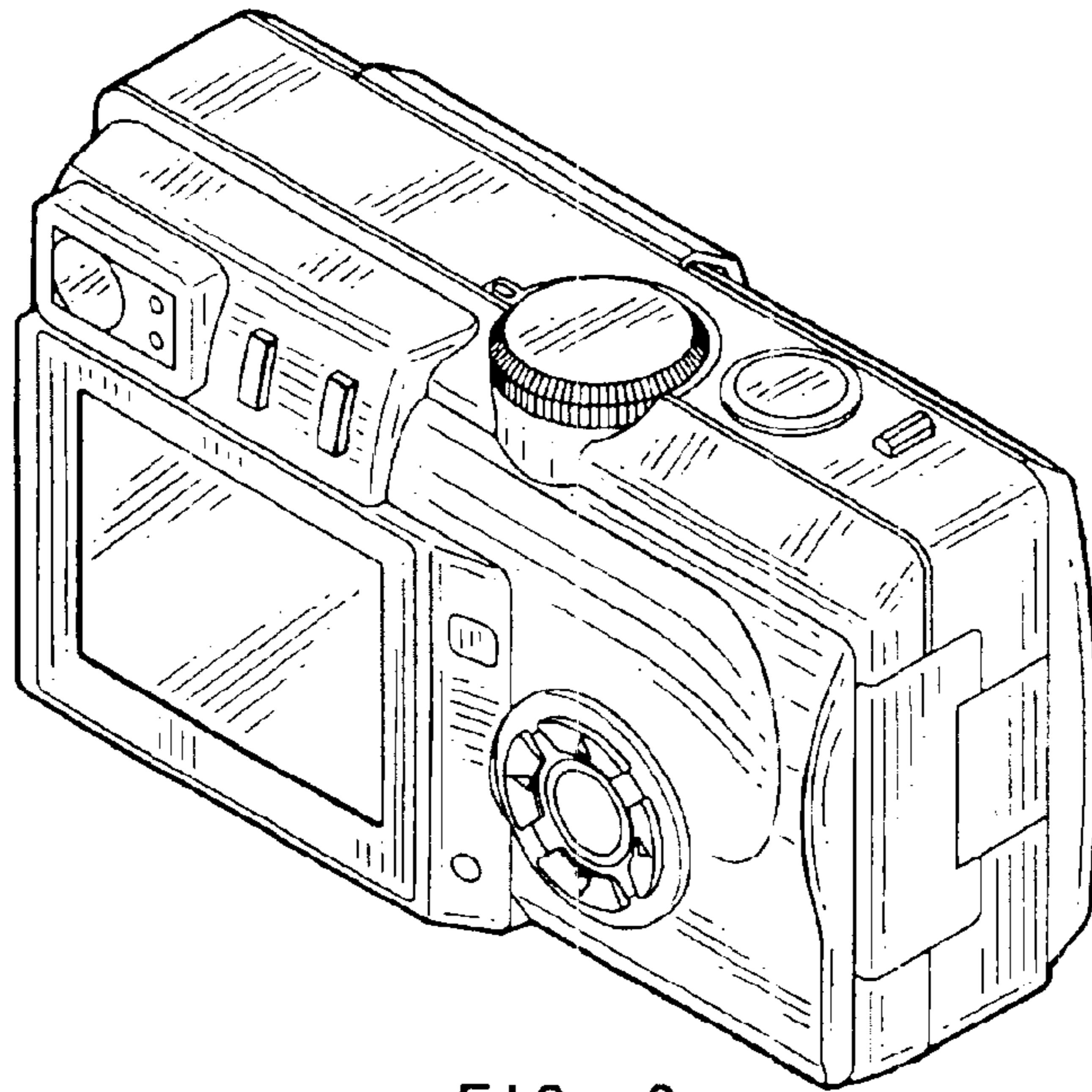


FIG. 3

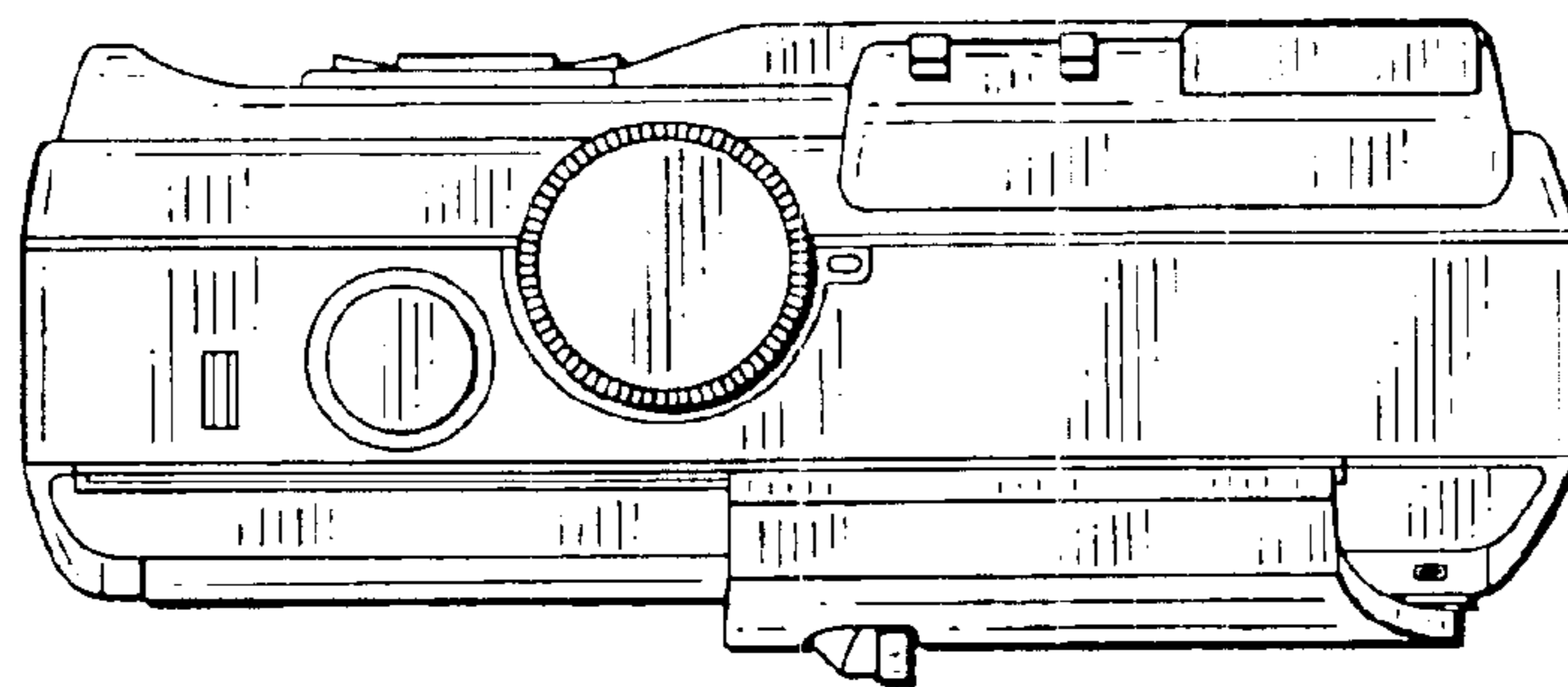


FIG. 4

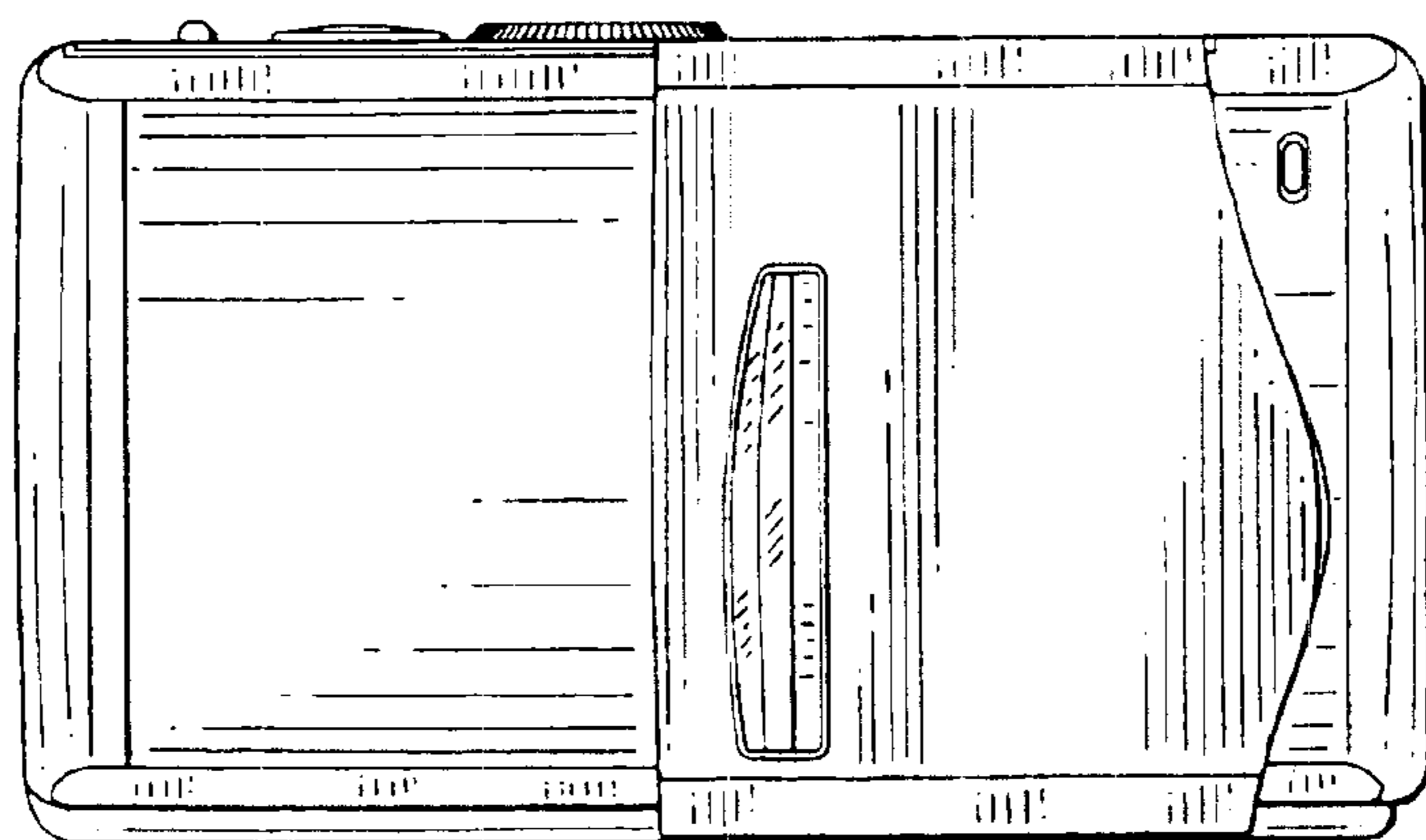


FIG. 5

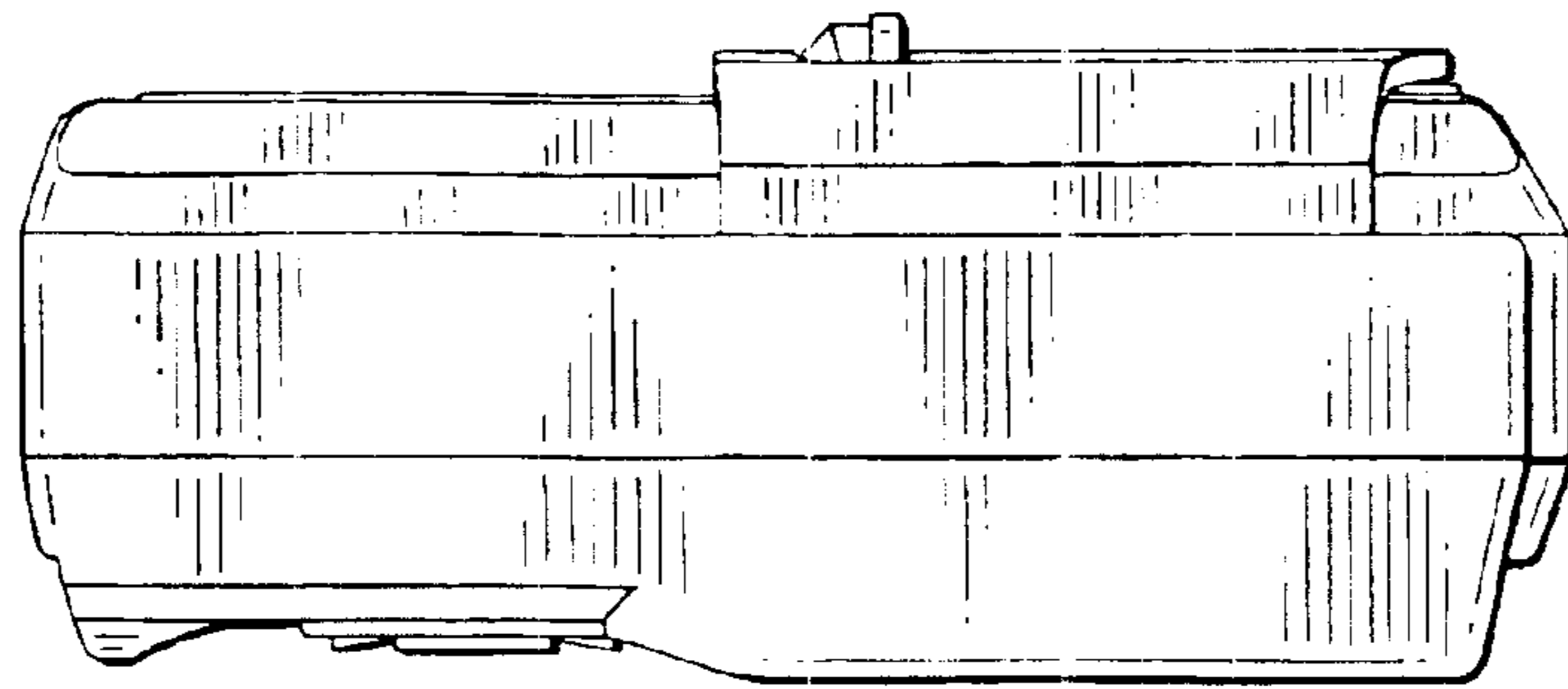


FIG. 6

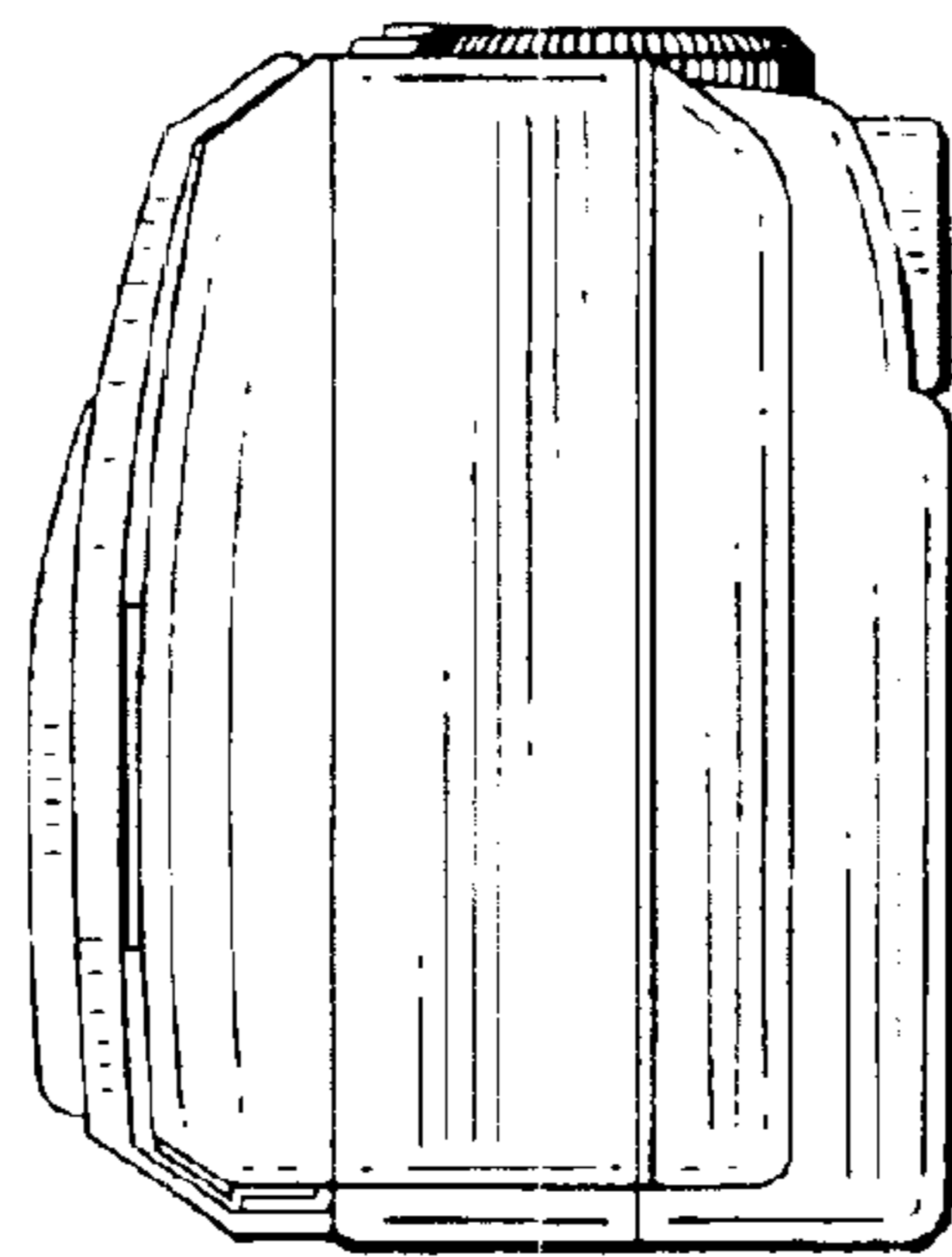


FIG. 7

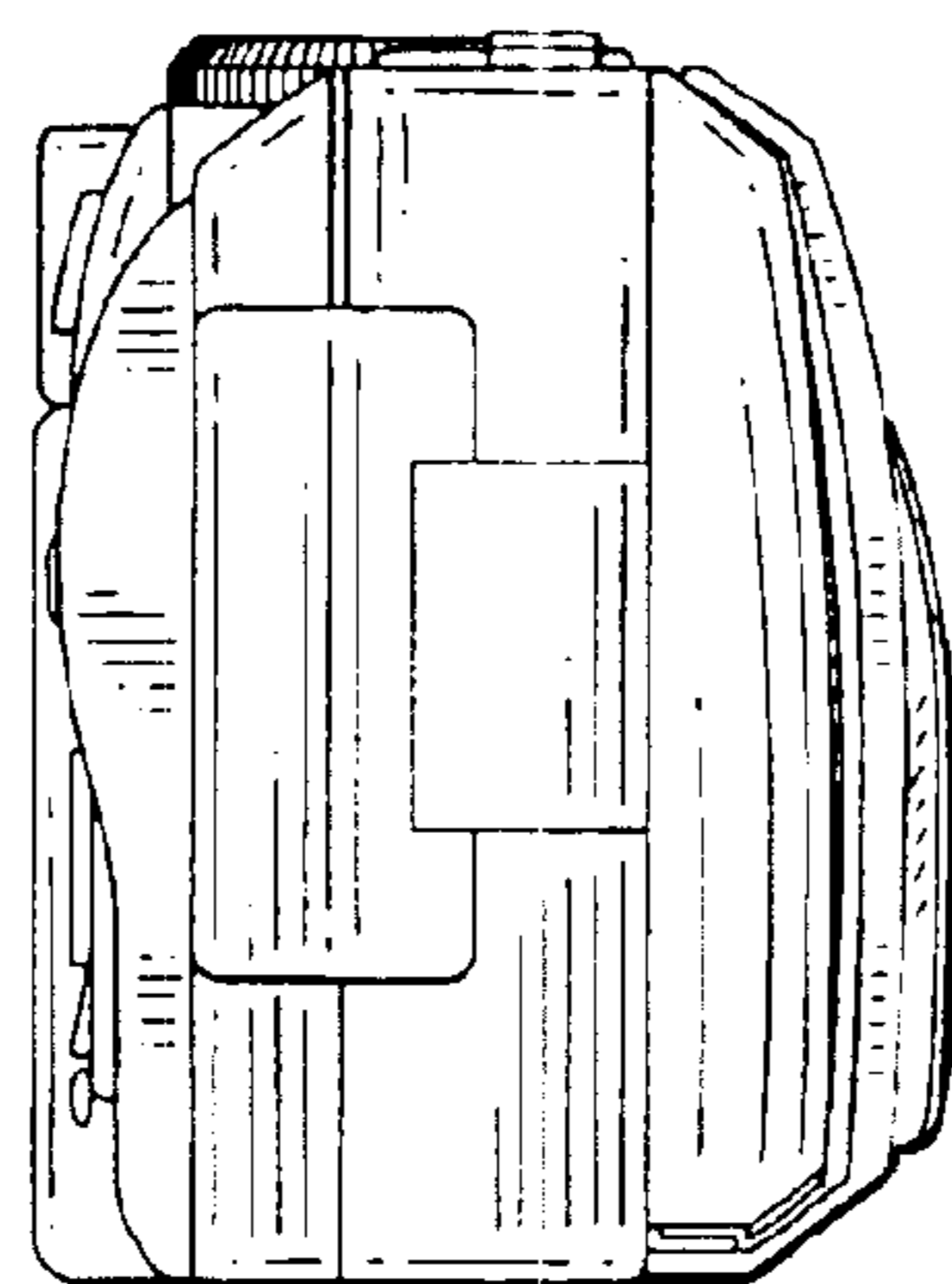


FIG. 8

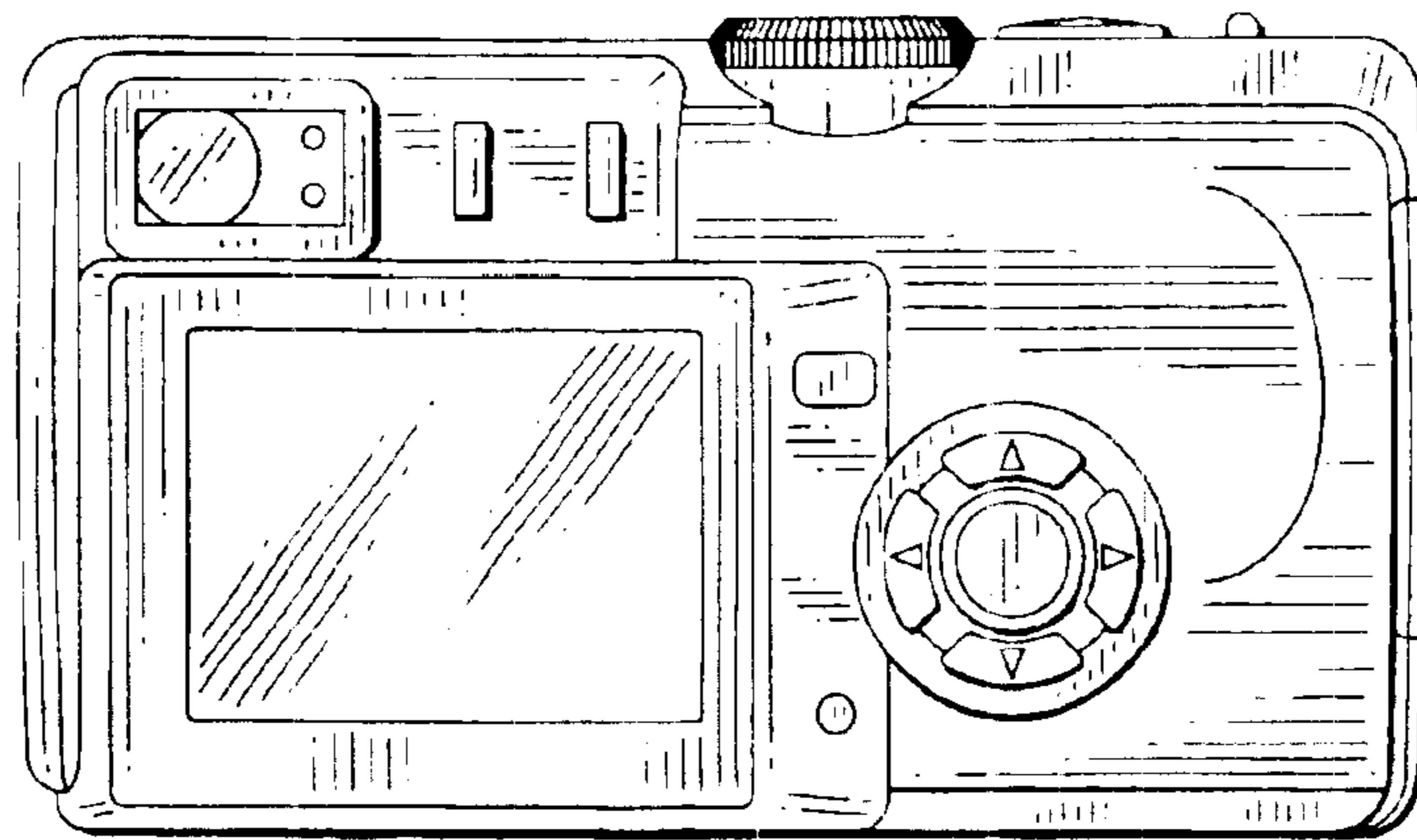


FIG. 9

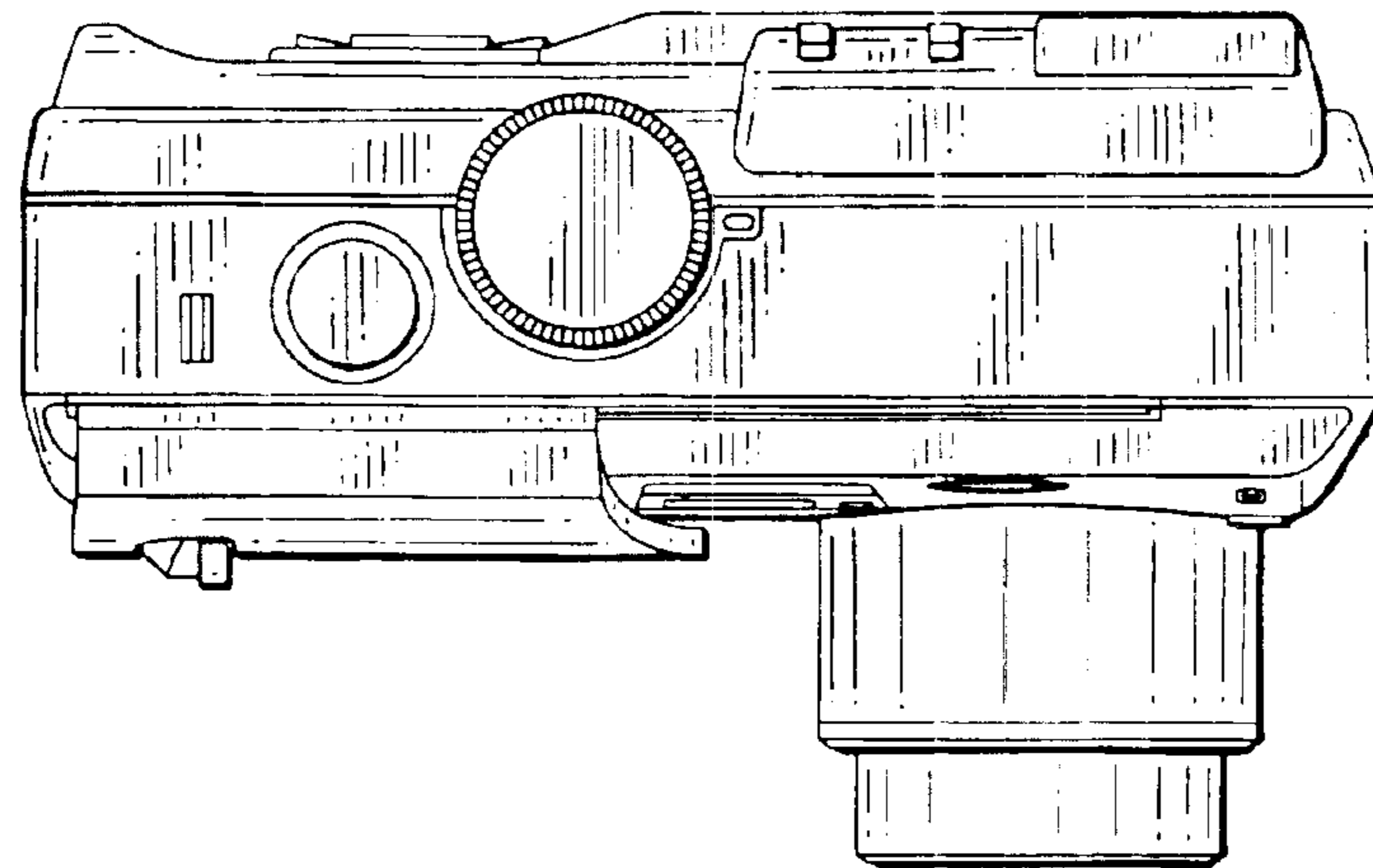


FIG. 10

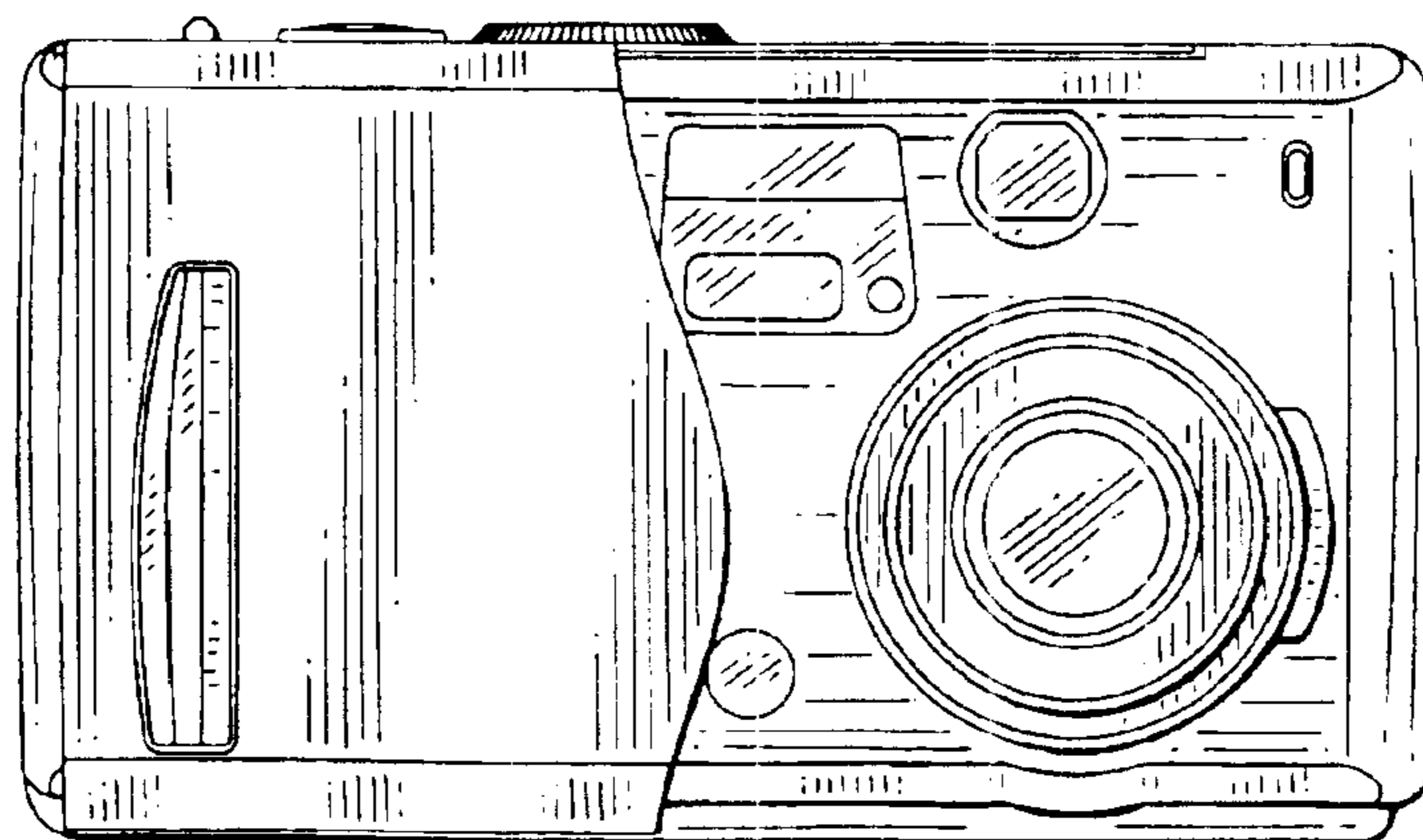


FIG. 11

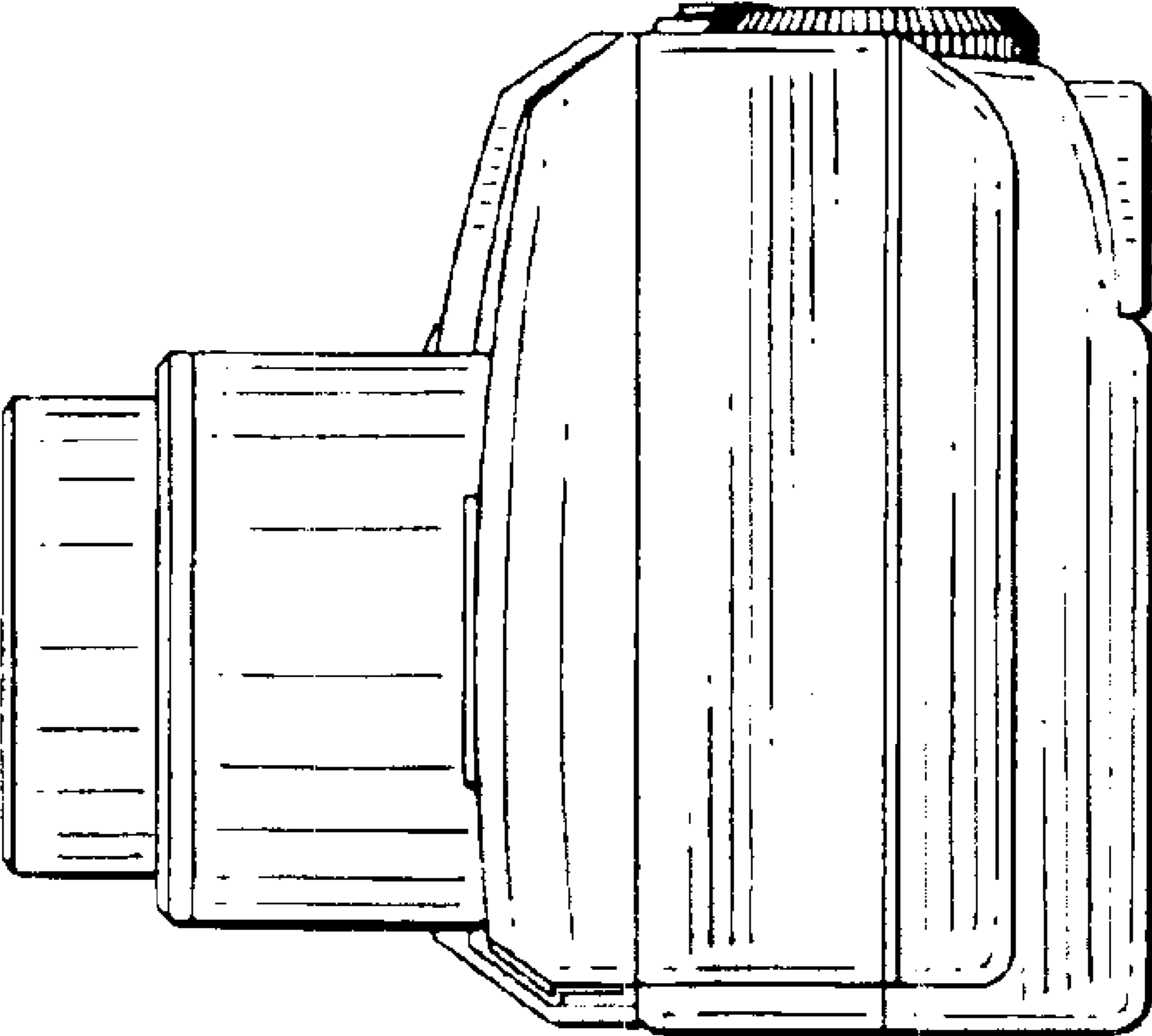


FIG. 12