

US00D502194S

(12) **United States Design Patent** (10) **Patent No.:** **US D502,194 S**  
**Suzuki et al.** (45) **Date of Patent:** **\*\* Feb. 22, 2005**

(54) **STEREOMICROSCOPE**

D459,744 S 7/2002 Apotheloz  
D460,772 S 7/2002 Apotheloz

(75) Inventors: **Koji Suzuki**, Hachioji (JP); **Keiji Shimizu**, Fussa (JP); **Keiichi Iizuka**, Nagano-ken (JP); **Yuko Obuchi**, Ina (JP)

**FOREIGN PATENT DOCUMENTS**

|    |          |         |
|----|----------|---------|
| GB | 1059289  | 5/1989  |
| JP | 689273   | 10/1986 |
| JP | 804457   | 1/1991  |
| JP | 804458   | 1/1991  |
| JP | 804457-1 | 1/1991  |
| JP | 804457-2 | 1/1991  |
| JP | 1030303  | 1/1999  |

(73) Assignee: **Olympus Corporation**, Tokyo (JP)

(\*\*) Term: **14 Years**

(21) Appl. No.: **29/196,030**

\* cited by examiner

(22) Filed: **Dec. 19, 2003**

*Primary Examiner*—Paula A. Greene

(30) **Foreign Application Priority Data**

(74) *Attorney, Agent, or Firm*—Hogan & Hartson LLP

Jun. 27, 2003 (JP) ..... 2003-018501

(57) **CLAIM**

(51) **LOC (7) Cl.** ..... **16-06**

The ornamental design for a stereomicroscope, as shown and described.

(52) **U.S. Cl.** ..... **D16/131**

(58) **Field of Search** ..... D16/130, 131;  
359/382, 383, 384, 385, 375, 376, 377,  
379, 378, 381, 368, 388, 390, 393

**DESCRIPTION**

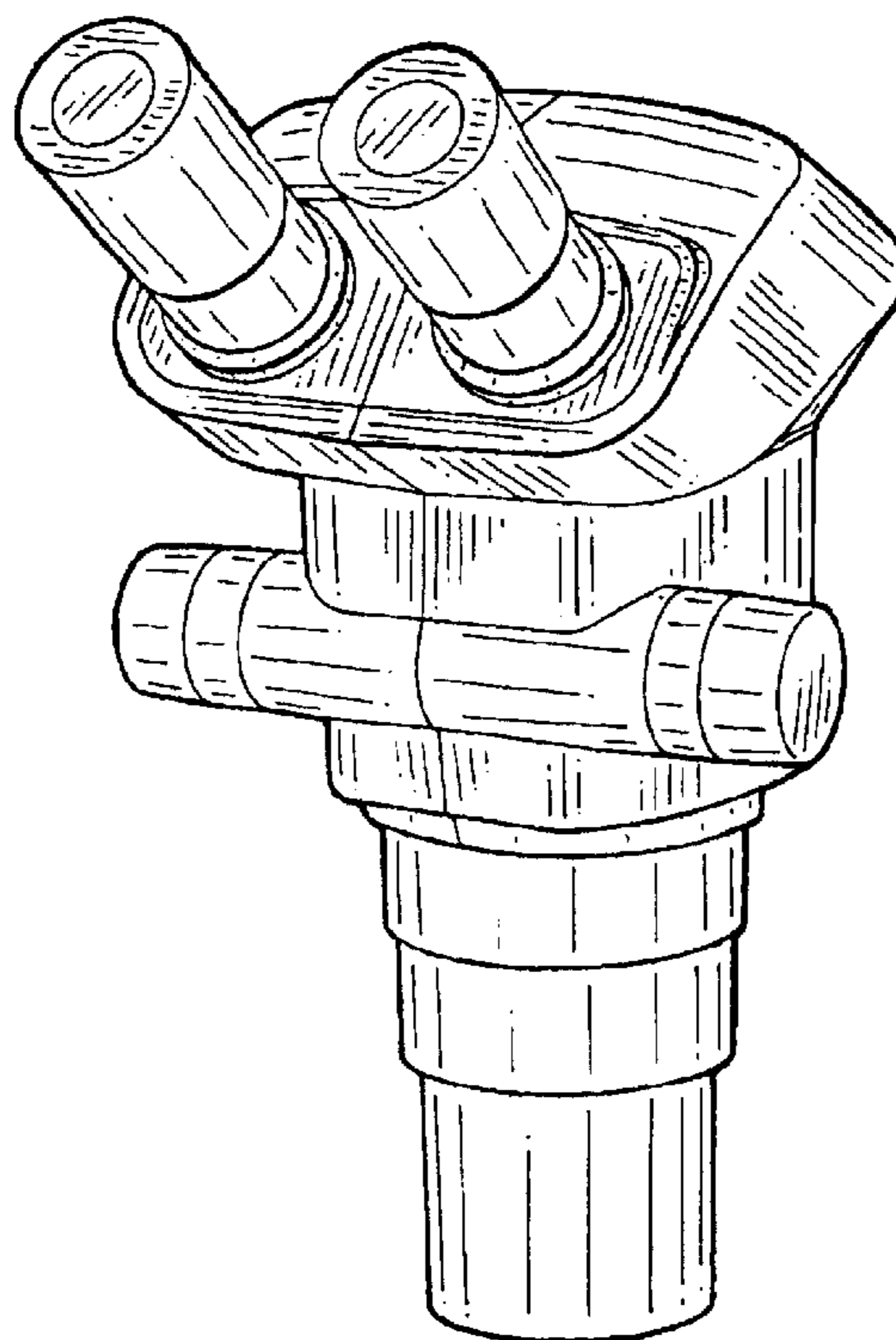
(56) **References Cited**

FIG. 1 is a perspective view of a stereomicroscope, showing our new design;  
FIG. 2 is a front elevational view thereof;  
FIG. 3 is a rear elevational view thereof;  
FIG. 4 is a top plan view thereof;  
FIG. 5 is a bottom plan view thereof;  
FIG. 6 is a right side elevational view thereof; and,  
FIG. 7 is a left side elevational view thereof.

**U.S. PATENT DOCUMENTS**

|            |   |        |                    |       |         |
|------------|---|--------|--------------------|-------|---------|
| D184,487 S | * | 2/1959 | Maier              | ..... | D16/131 |
| D345,746 S | * | 4/1994 | Holbl              | ..... | D16/131 |
| D367,869 S | * | 3/1996 | Hofmann-Igl et al. | ..... | D16/131 |
| D420,028 S | * | 2/2000 | Wani et al.        | ..... | D16/131 |
| D440,996 S | * | 4/2001 | Takanashi          | ..... | D16/131 |

**1 Claim, 4 Drawing Sheets**



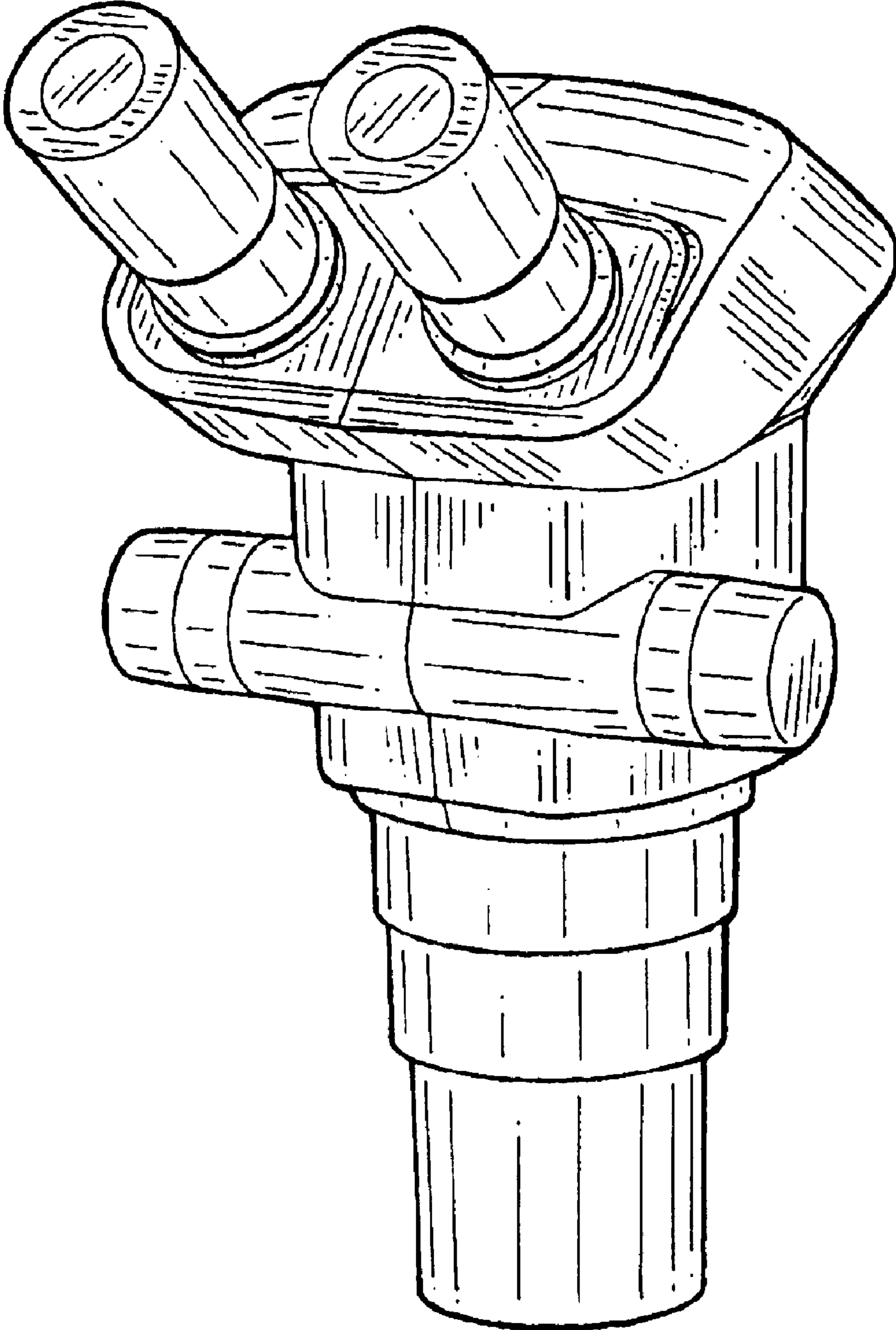


Fig. 1

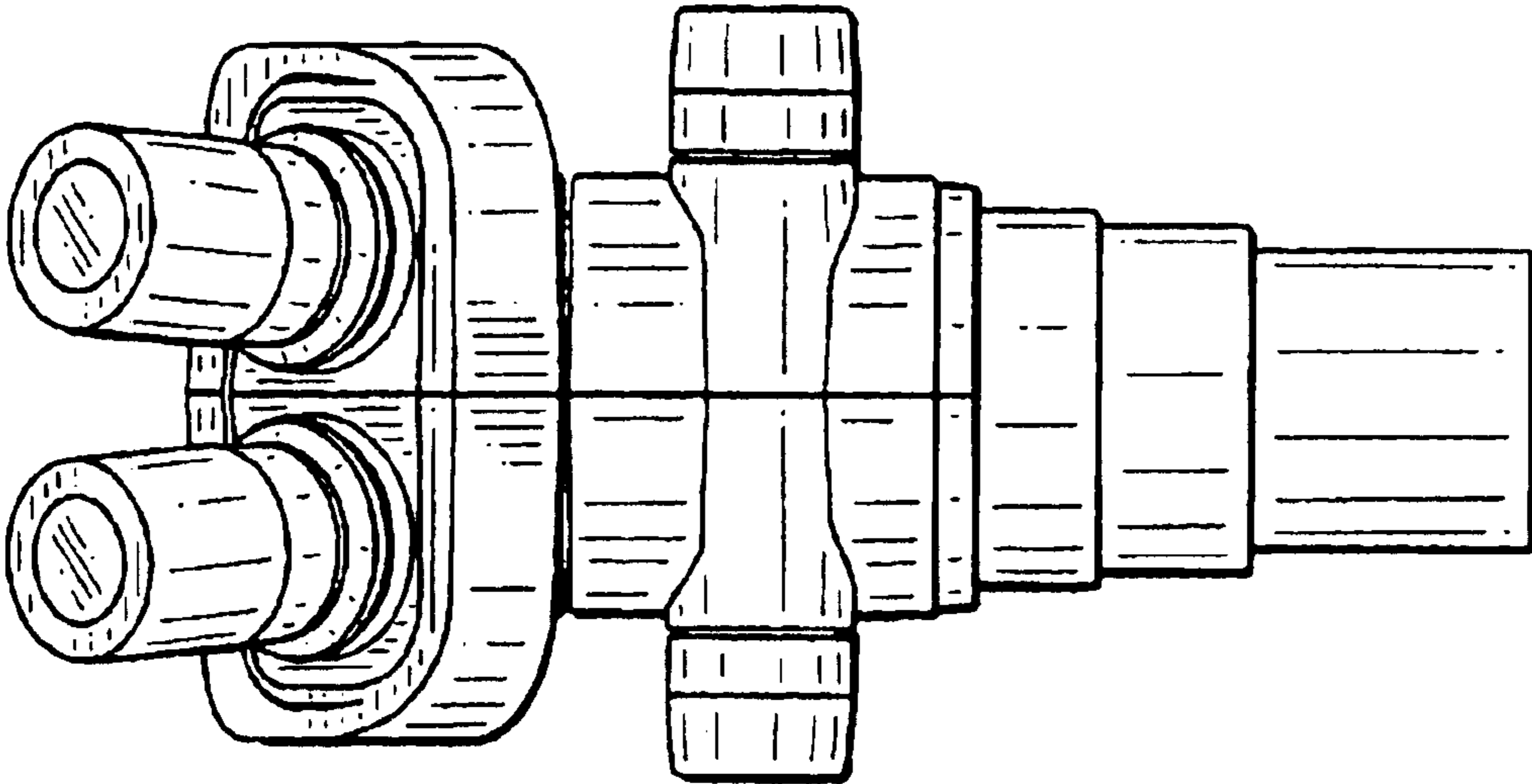


Fig. 2

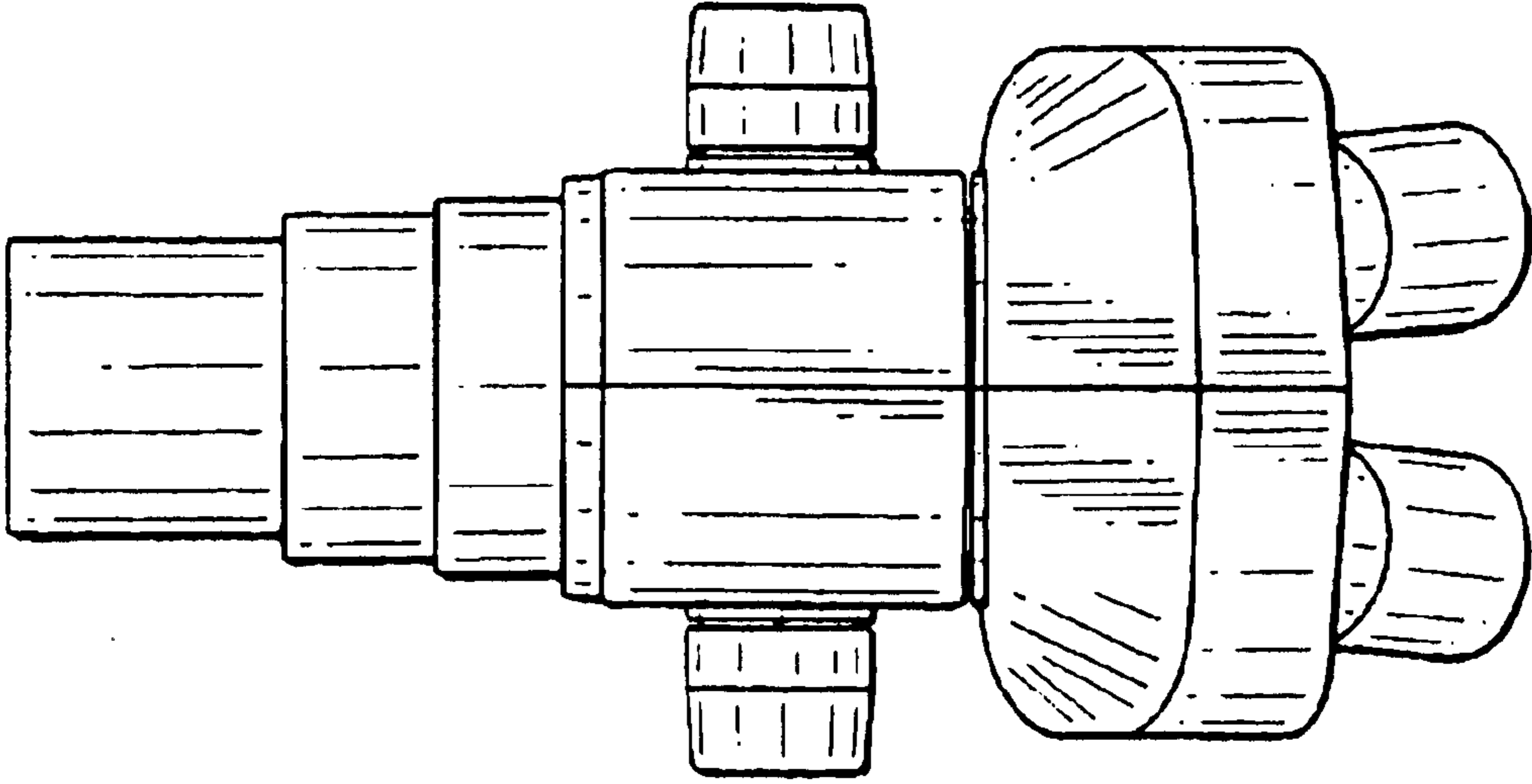


Fig. 3

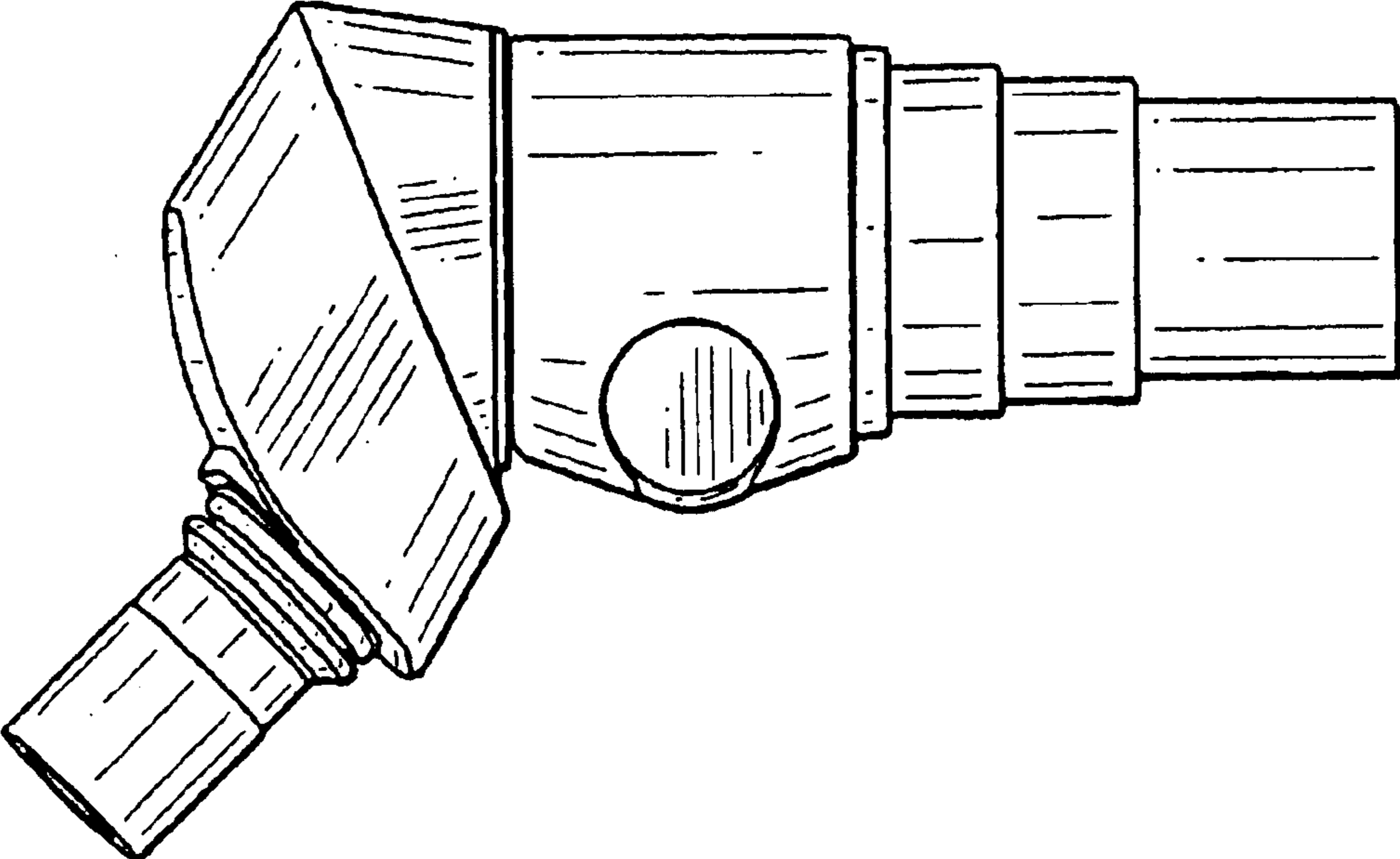


Fig. 4

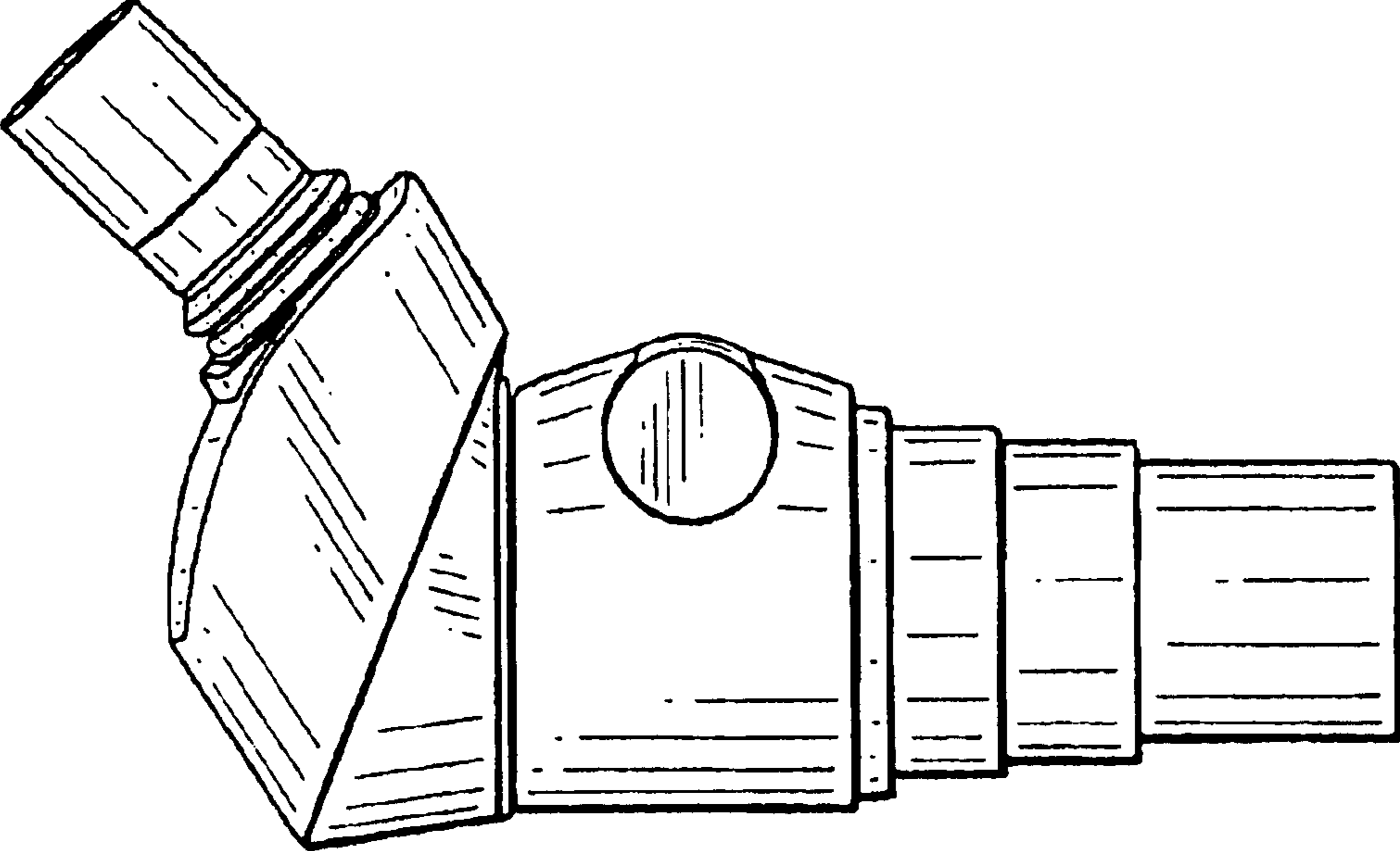


Fig. 5

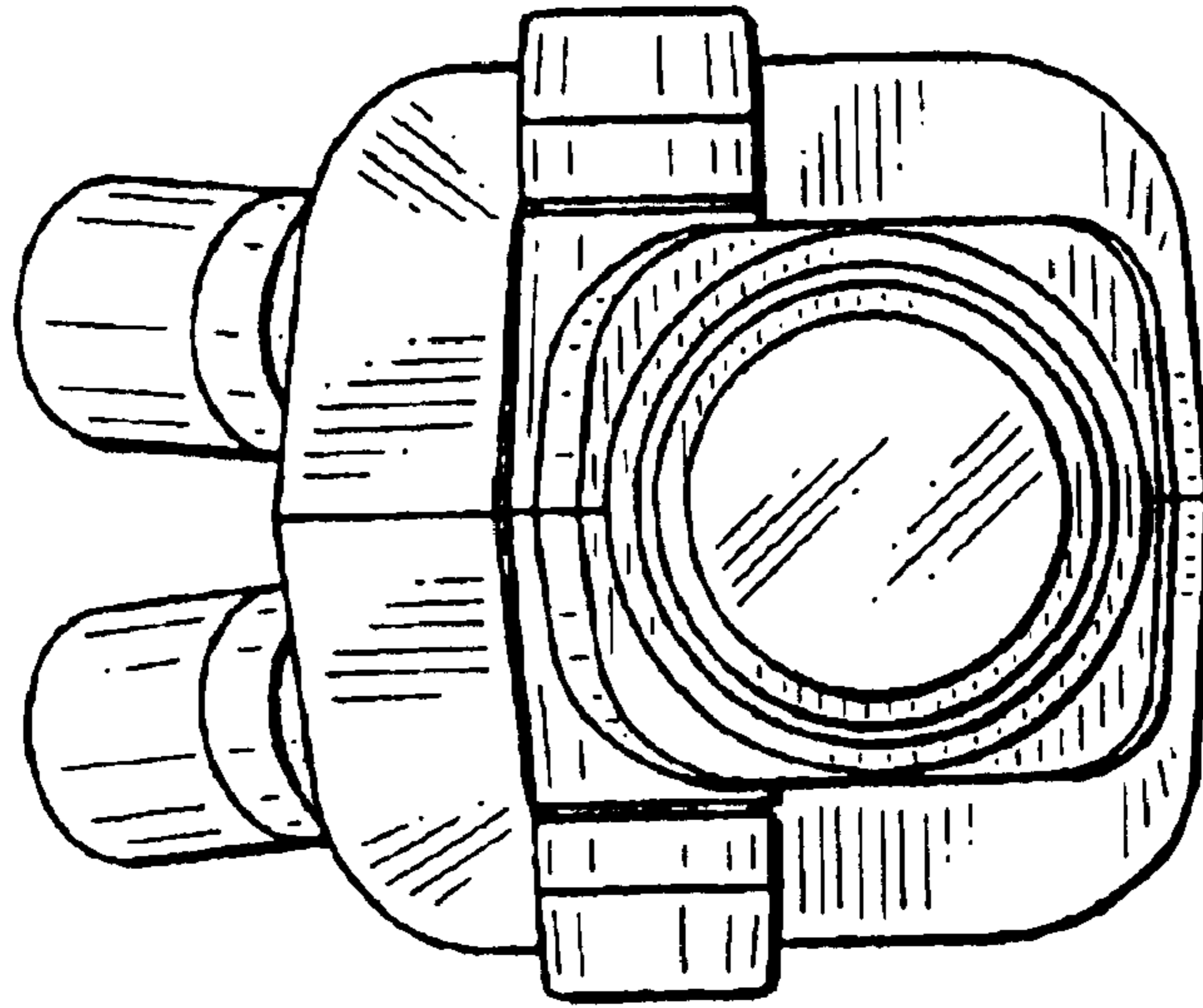


Fig. 6

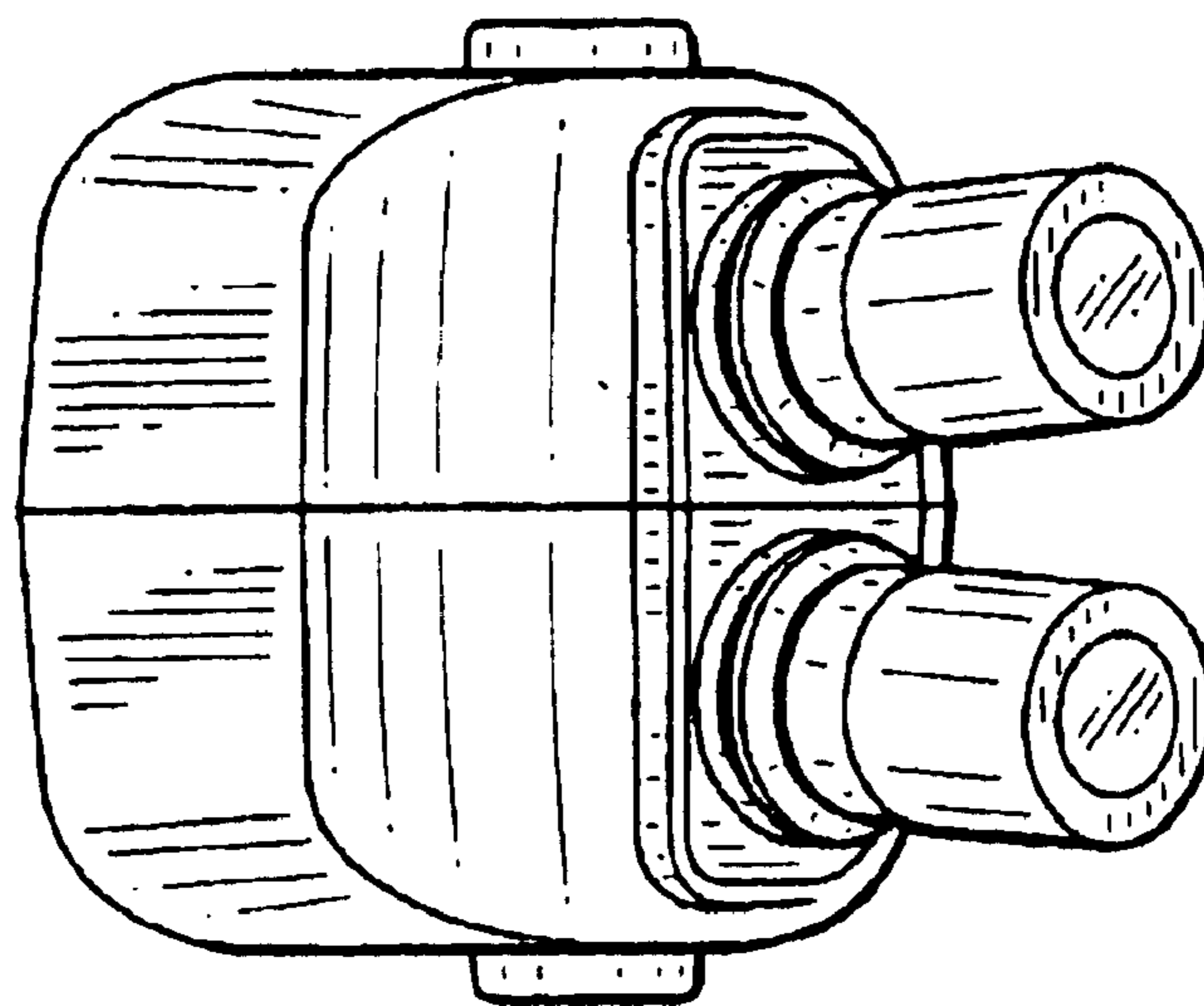


Fig. 7

UNITED STATES PATENT AND TRADEMARK OFFICE  
**CERTIFICATE OF CORRECTION**

PATENT NO. : Des. 502,194 S  
DATED : February 22, 2005  
INVENTOR(S) : Suzuki et al.

Page 1 of 1

It is certified that error appears in the above-identified patent and that said Letters Patent is hereby corrected as shown below:

Title page.

Item [30], **Foreign Application Priority Data**, change "2003-18501" to  
-- 2003-18500 --.

Signed and Sealed this

Seventh Day of June, 2005

A handwritten signature in black ink, reading "Jon W. Dudas". The signature is written in a cursive style with a large, looped initial "J".

JON W. DUDAS

*Director of the United States Patent and Trademark Office*