

US00D502193S

(12) **United States Design Patent** (10) **Patent No.:** **US D502,193 S**
Doyle (45) **Date of Patent:** **** Feb. 22, 2005**

(54) **GRIPPER BODY FOR A WIRE TYING MACHINE**

6,637,324 B2 * 10/2003 Stamps 100/26
6,668,870 B2 * 12/2003 Rossum et al. 140/118

(75) Inventor: **David Doyle**, Aberdeen, WA (US)

* cited by examiner

(73) Assignee: **Enterprise International, Inc.**,
Hoquiam, WA (US)

Primary Examiner—Stacia Cadmus

Assistant Examiner—Terrence Huang

(74) *Attorney, Agent, or Firm*—Seed IP Law Group PLLC

(**) Term: **14 Years**

(57) **CLAIM**

(21) Appl. No.: **29/192,768**

The ornamental design for a gripper body for a wire tying machine, as shown and described.

(22) Filed: **Oct. 29, 2003**

DESCRIPTION

(51) **LOC (7) Cl.** **15-99**

(52) **U.S. Cl.** **D15/145**

(58) **Field of Search** 140/115, 119,
140/93 A, 124, 118; 100/33 R, 26; D15/145

FIG. 1 is a front perspective view of a gripper body for a wire tying machine showing my new design.

FIG. 2 is a top plan view thereof.

FIG. 3 is a bottom plan view thereof.

FIG. 4 is a left side elevation view thereof.

FIG. 5 is a right side elevation view thereof.

FIG. 6 is a front elevation view thereof; and,

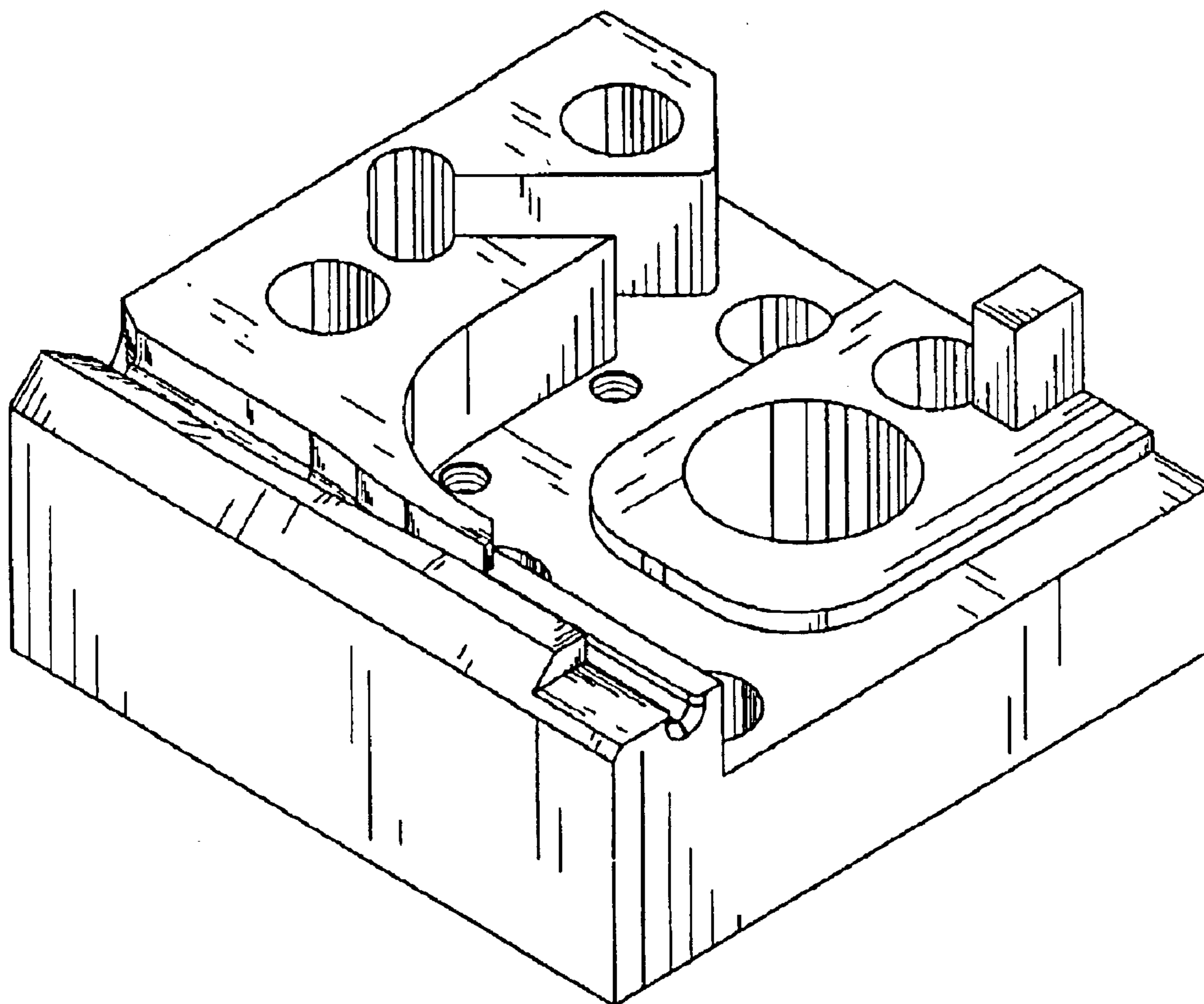
FIG. 7 is a rear elevation view thereof.

(56) **References Cited**

U.S. PATENT DOCUMENTS

3,722,553 A * 3/1973 Bartilson 140/93 A
5,870,950 A * 2/1999 Wiedel 100/33 R
6,584,891 B1 * 7/2003 Smith et al. 100/26

1 Claim, 4 Drawing Sheets



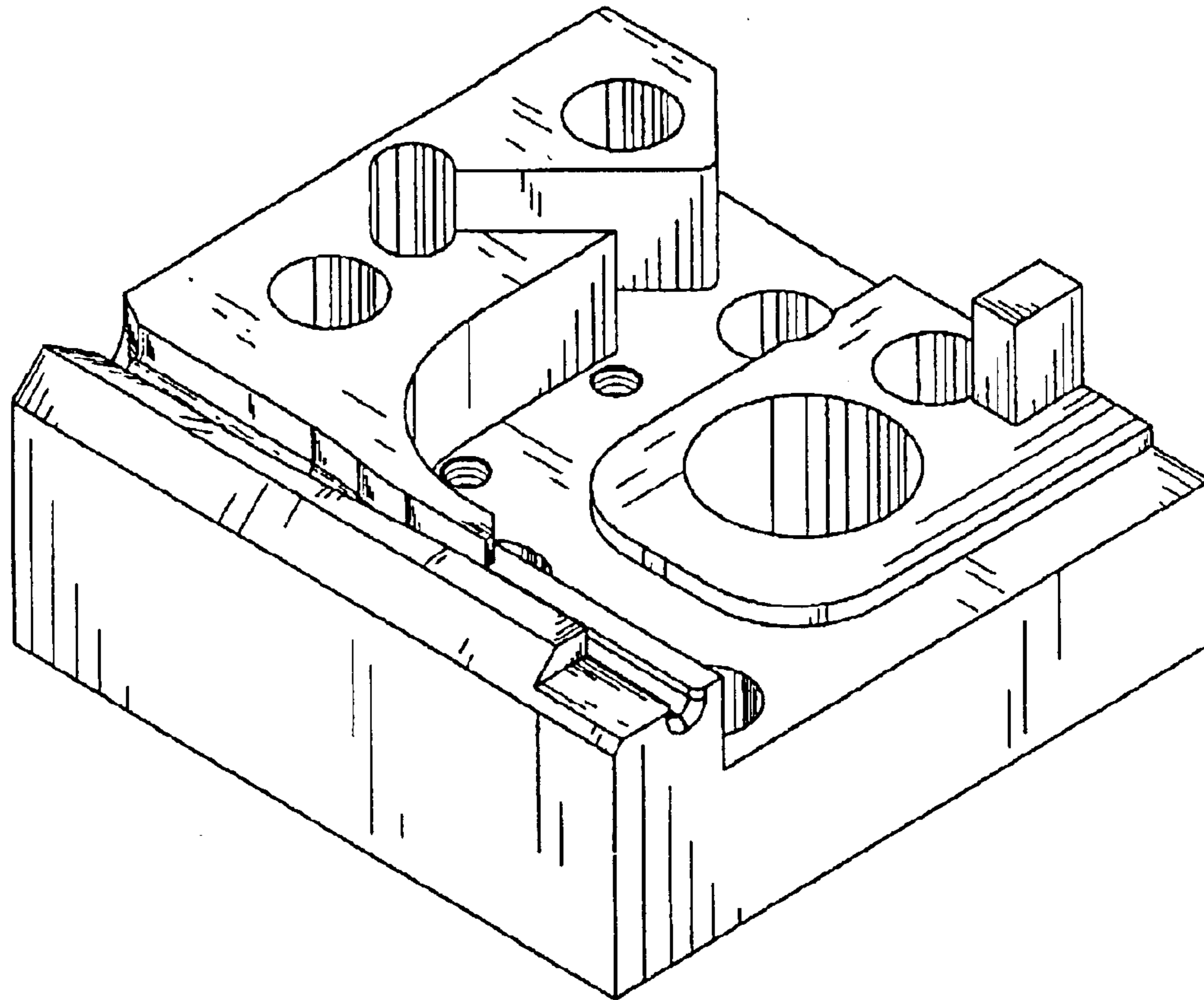


FIG. 1

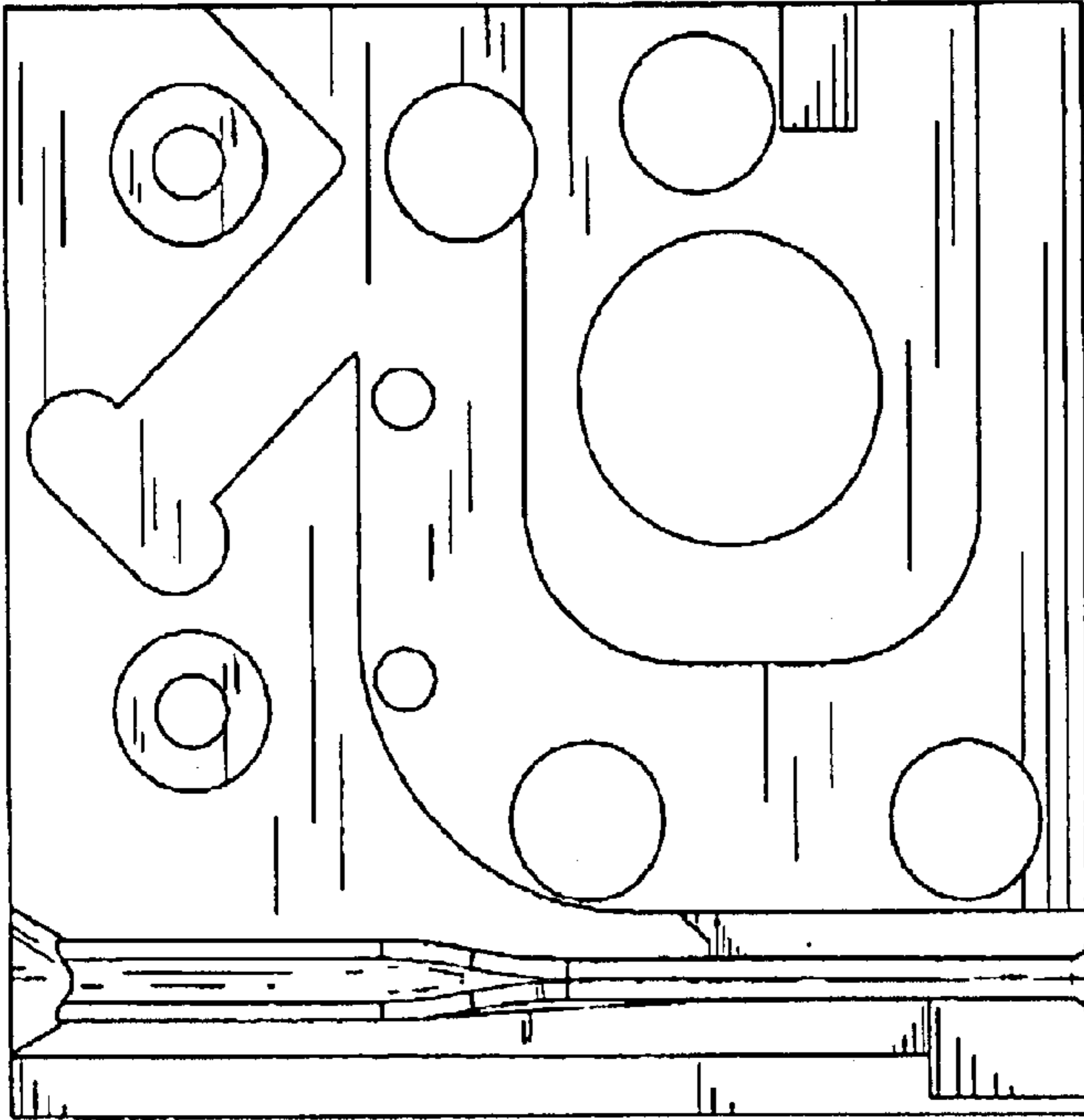


FIG. 2

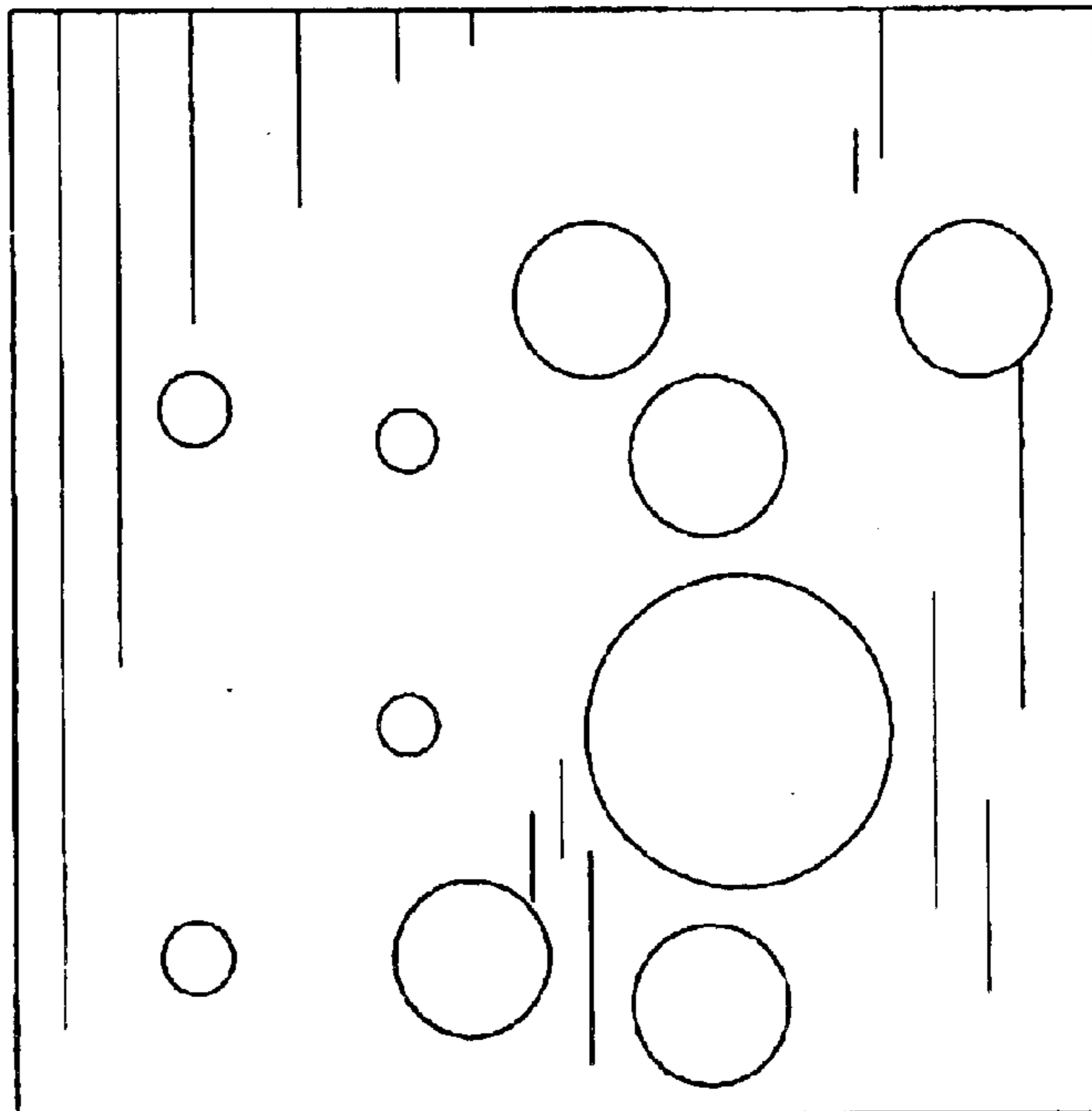


FIG. 3

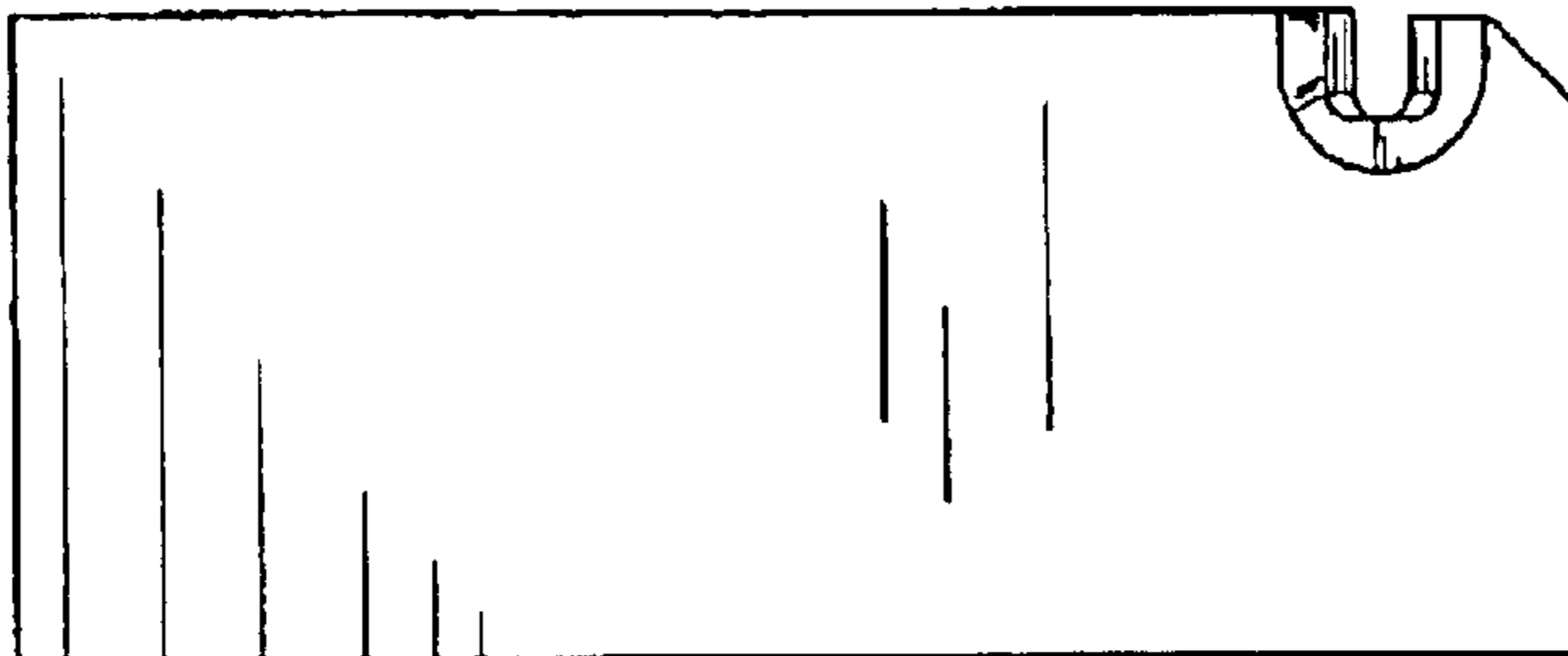


FIG. 4

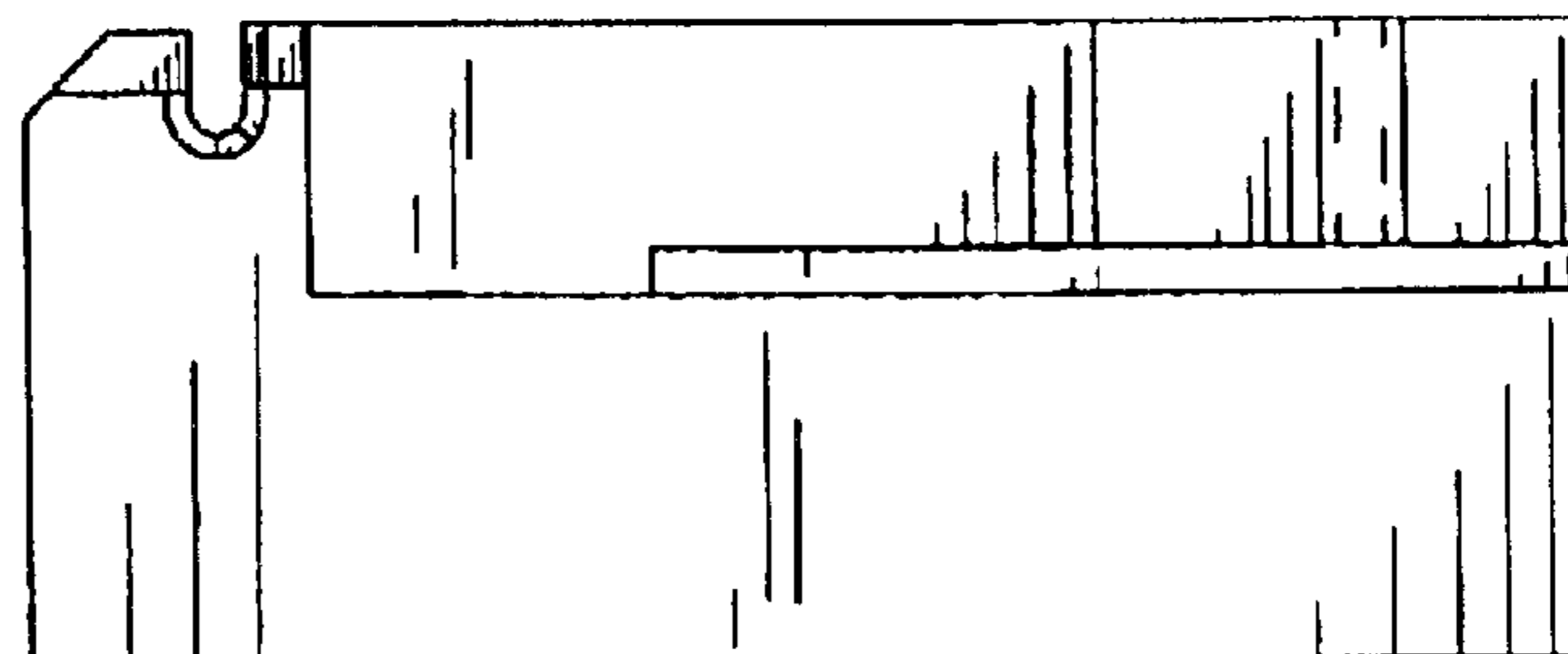


FIG. 5

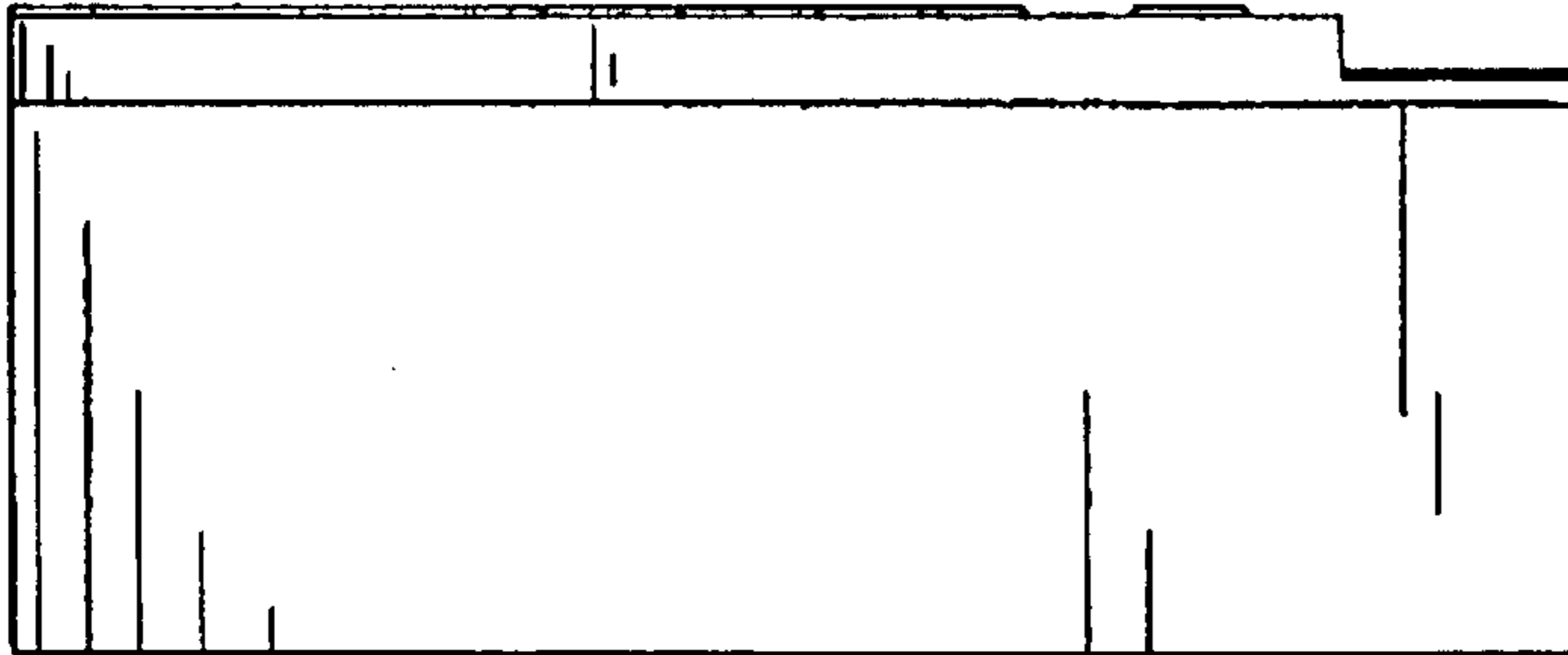


FIG. 6

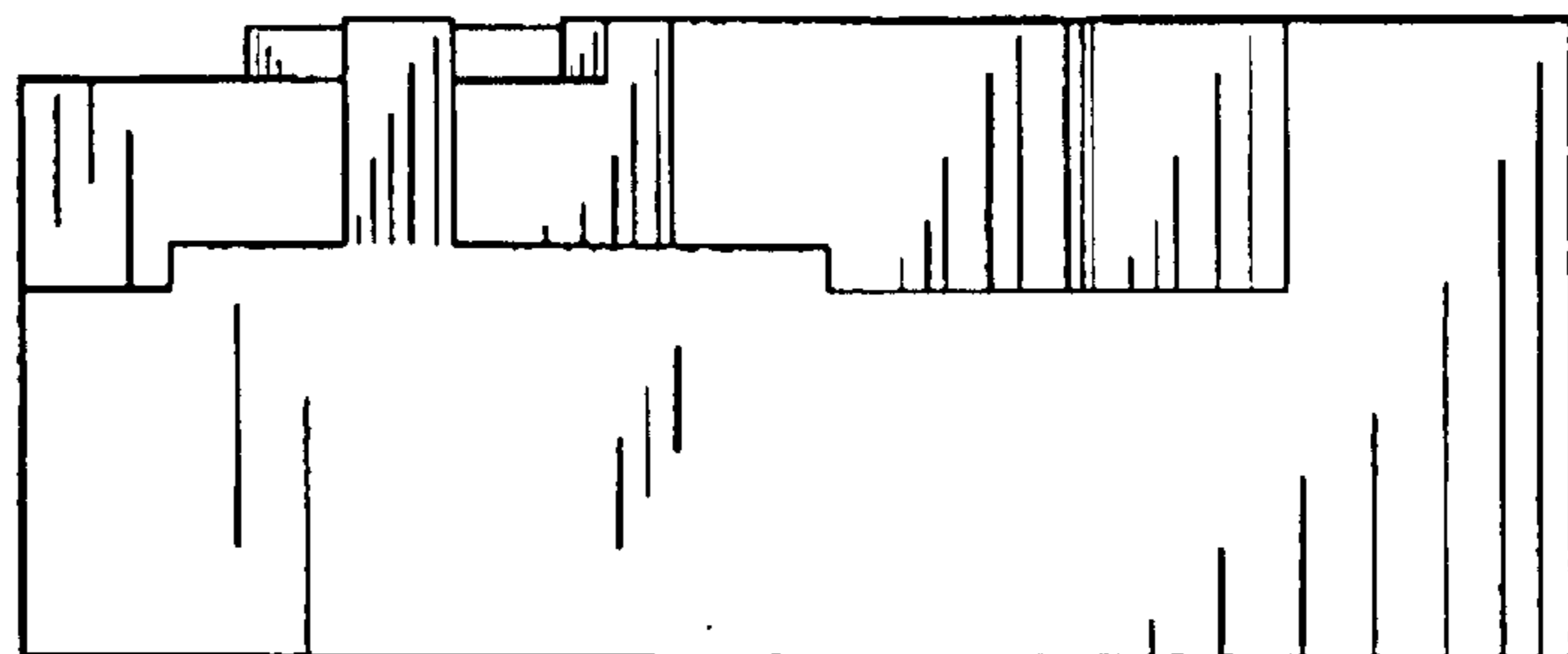


FIG. 7