



US00D502190S

(12) **United States Design Patent** (10) **Patent No.:** **US D502,190 S**
Doyle (45) **Date of Patent:** **** Feb. 22, 2005**

(54) **GRIP LEVER FOR A WIRE TYING MACHINE**

(75) Inventor: **David Doyle**, Aberdeen, WA (US)

(73) Assignee: **Enterprises International, Inc.**,
Hoquiam, WA (US)

(**) Term: **14 Years**

(21) Appl. No.: **29/192,738**

(22) Filed: **Oct. 29, 2003**

(51) **LOC (7) Cl.** **15-99**

(52) **U.S. Cl.** **D15/145**

(58) **Field of Search** 140/115, 119,
140/93 A, 124, 118; 100/33 R, 26; D15/145;
429/159, 99, 156

(56) **References Cited**

U.S. PATENT DOCUMENTS

2,460,846	A	*	2/1949	Schulze	140/93 A
3,722,553	A	*	3/1973	Bartilson	140/93 A
5,870,950	A	*	2/1999	Wiedel	100/33 R
6,558,835	B1	*	5/2003	Kurisu et al.	429/159
6,584,891	B1		7/2003	Smith et al.	100/26
6,637,324	B2	*	10/2003	Stamps	100/26
6,668,870	B2	*	12/2003	Rossum et al.	140/118

OTHER PUBLICATIONS

Lan Chang Casting Inc, Display Ad, Taiwan Hardware Magazine, Mar. 2004, Taiwan Business Media.*

Good Worth Co Ltd, Display Ad, Taiwan Hardware Magazine, Mar. 2004, Taiwan Business Media.*

Shyang Meng Industry Workshop, Display Ad, Taiwan Hardware Magazine, Mar. 2004, Taiwan Business Media.*

* cited by examiner

Primary Examiner—Stacia Cadmus

Assistant Examiner—Terrence Huang

(74) *Attorney, Agent, or Firm*—Seed IP Law Group PLLC

(57) **CLAIM**

The ornamental design for a grip lever for a wire tying machine, as shown and described.

DESCRIPTION

FIG. 1 is a front perspective view of a grip lever for a wire tying machine showing my new design.

FIG. 2 is a top plan view thereof.

FIG. 3 is a bottom plan view thereof.

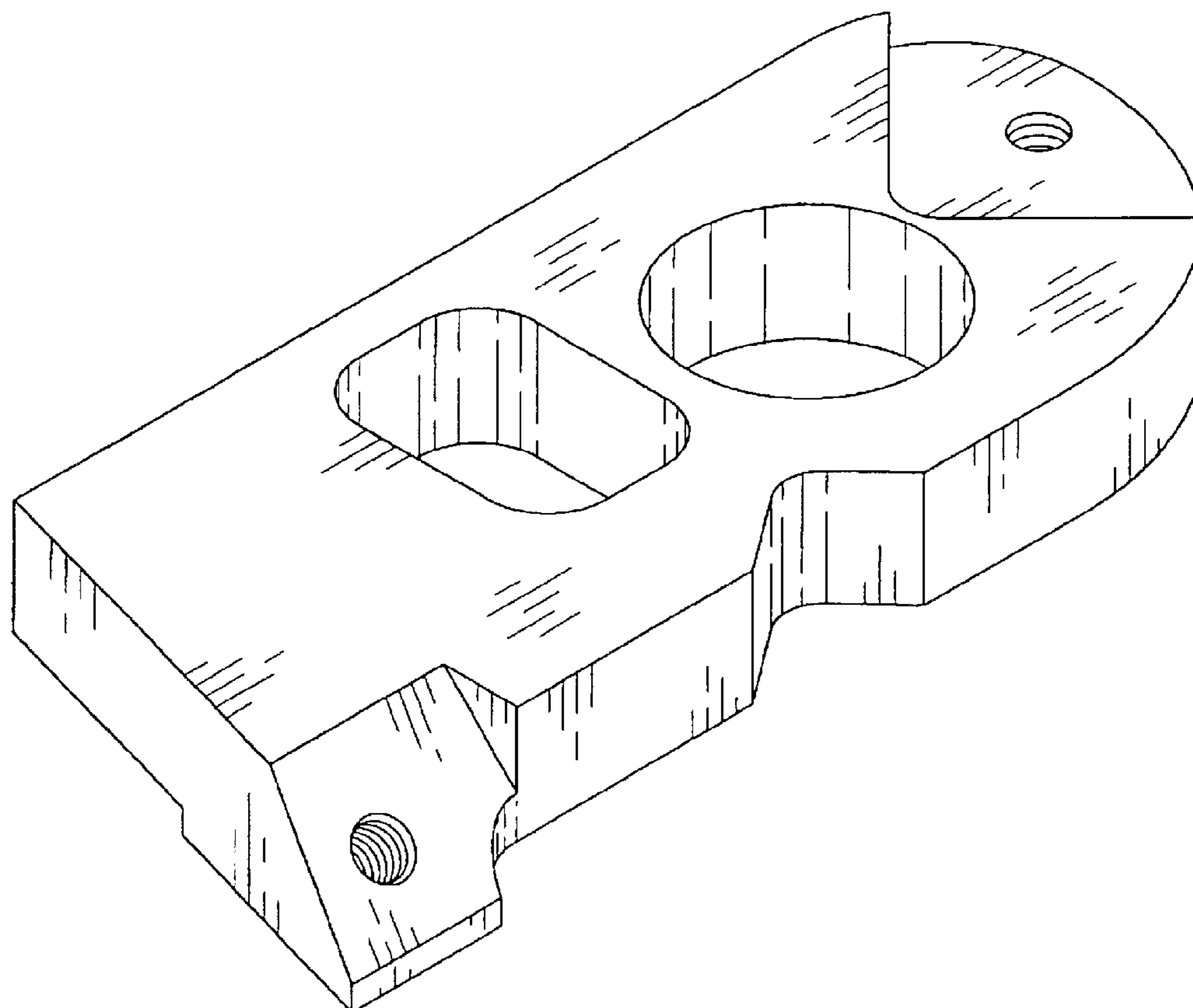
FIG. 4 is a left side elevation view thereof.

FIG. 5 is a right side elevation view thereof.

FIG. 6 is a rear elevation view thereof; and,

FIG. 7 is a front elevation view thereof.

1 Claim, 5 Drawing Sheets



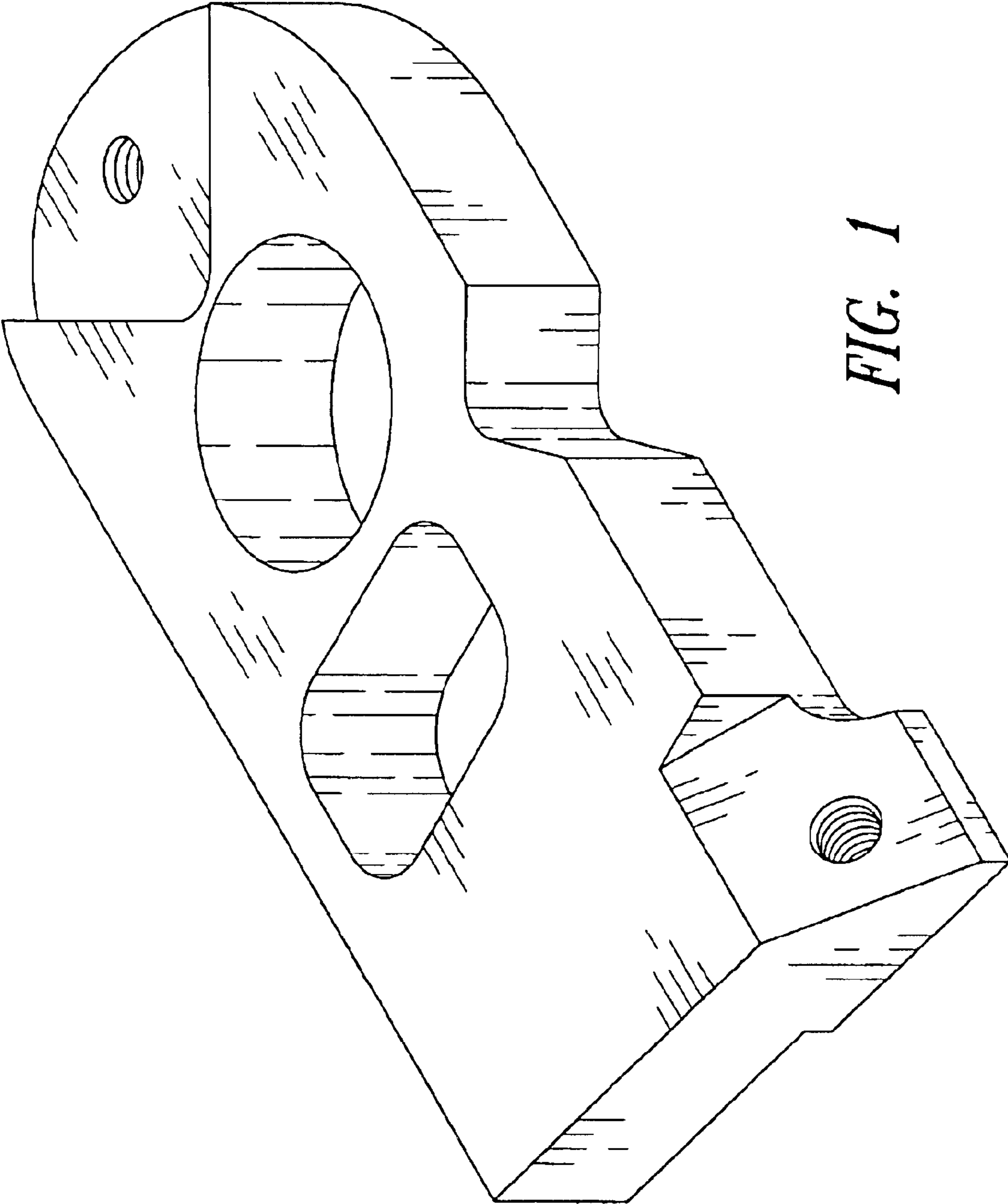


FIG. 1

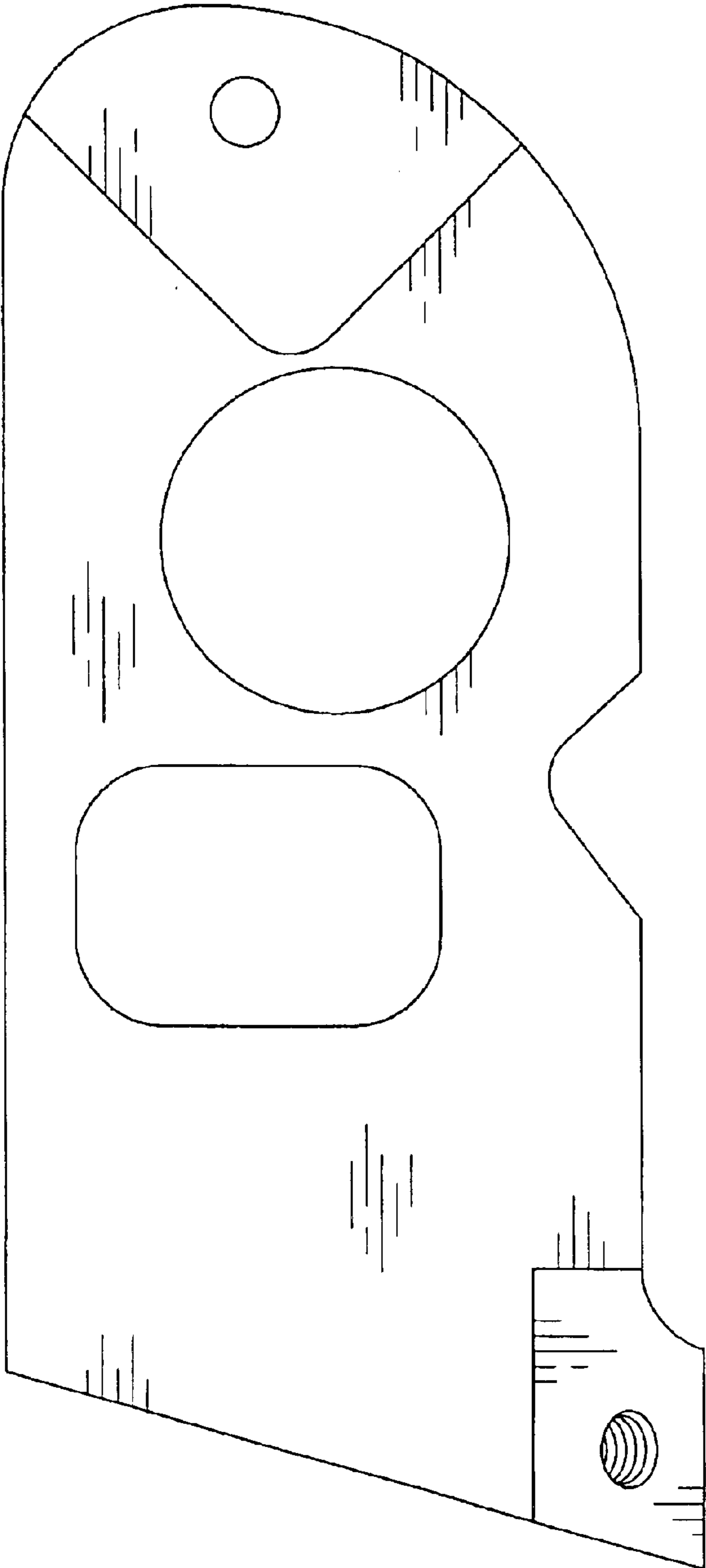


FIG. 2

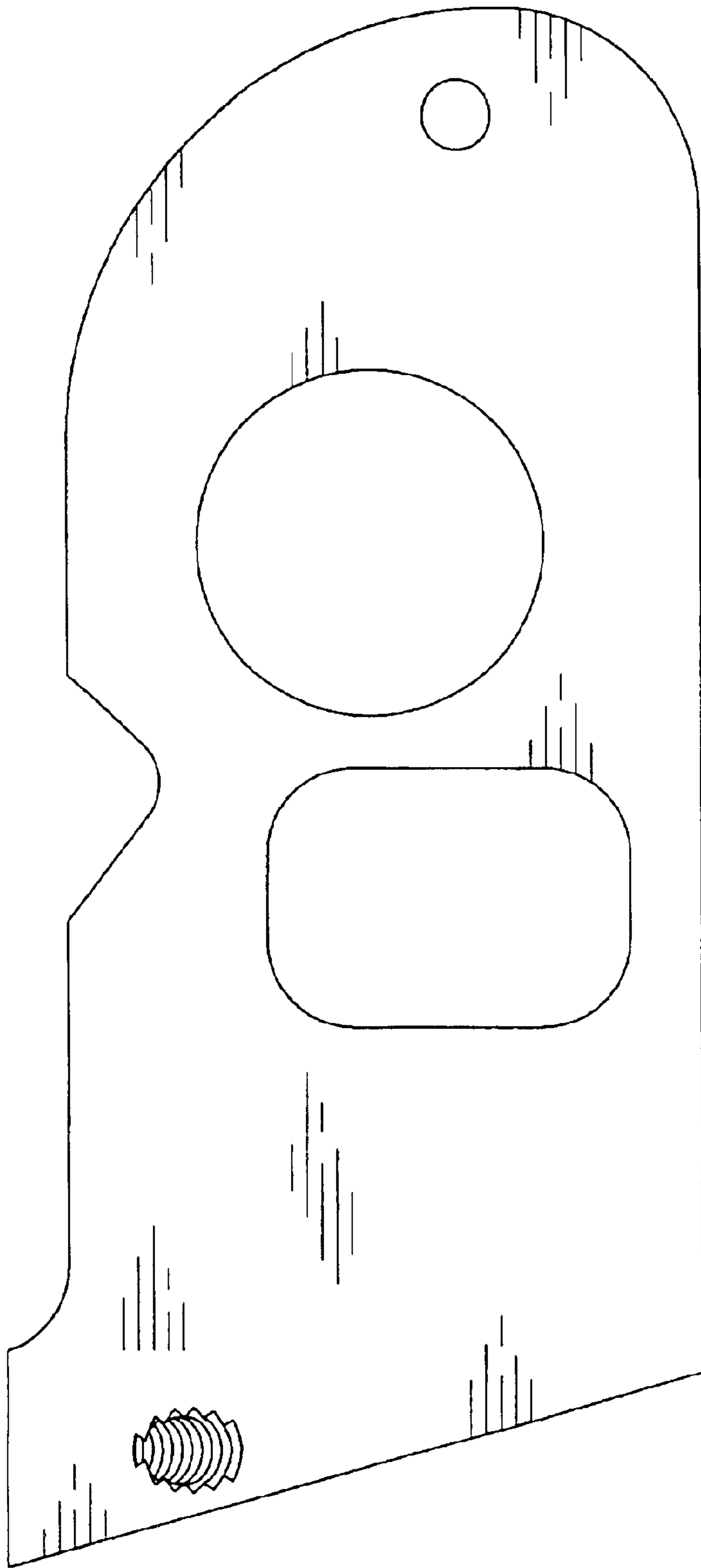


FIG. 3

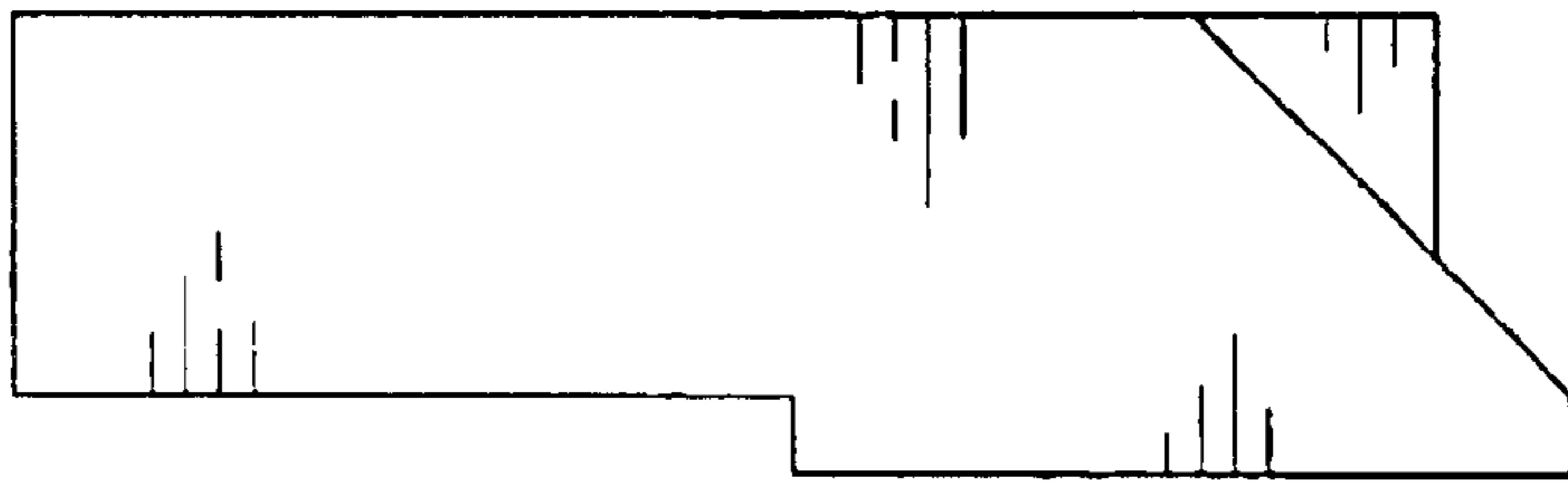


FIG. 4

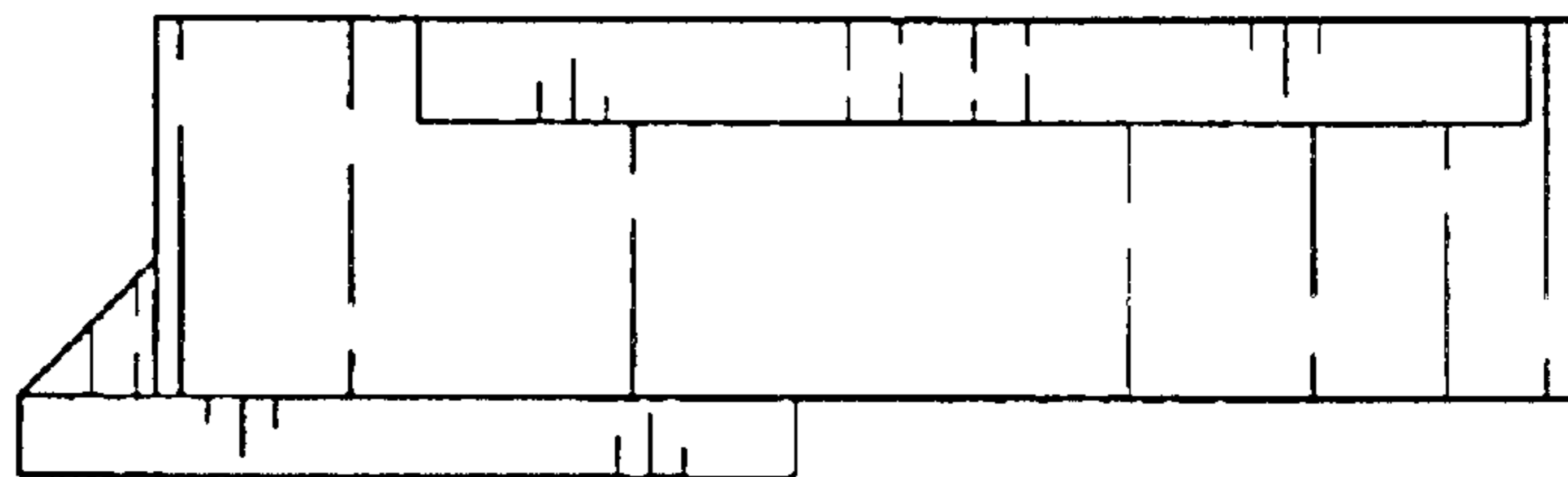


FIG. 5

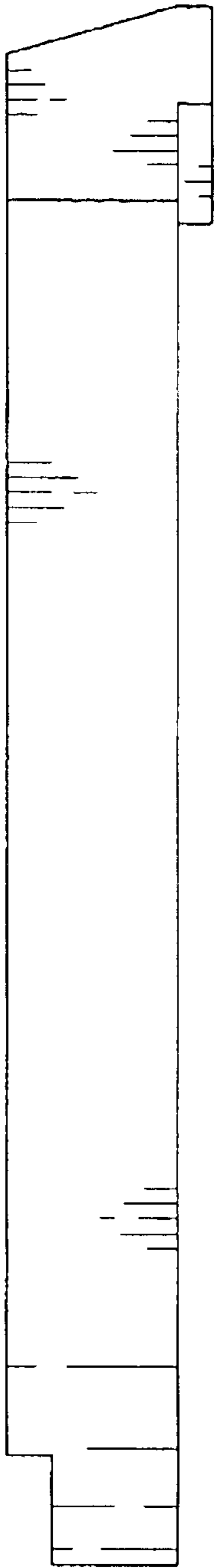


FIG. 6

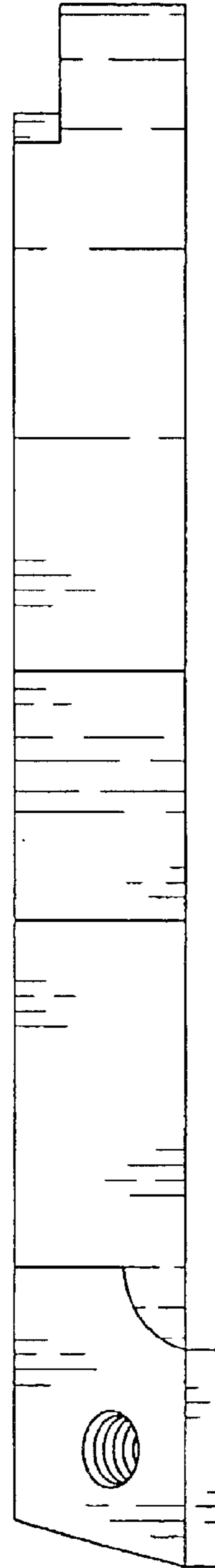


FIG. 7