

US00D502187S

(12) **United States Design Patent**
Ricci et al.

(10) **Patent No.:** **US D502,187 S**
(45) **Date of Patent:** **** Feb. 22, 2005**

(54) **RADIAL FEED FACING HEAD FOR BORING BAR**

D311,193 S * 10/1990 Andersson et al. D15/139
5,960,688 A * 10/1999 Defatte 82/117
2001/0001935 A1 * 5/2001 Wilk et al. 82/113

(75) Inventors: **Donato L. Ricci**, W8477 - 162nd Ave.,
Hager City, WI (US) 54014; **Martin A. Gardzinski**, Red Wing, MN (US)

* cited by examiner

(73) Assignee: **Donato L. Ricci**, Hager City, WI (US)

Primary Examiner—Antoine D. Davis
(74) *Attorney, Agent, or Firm*—Thomas J. Nikolai; Nikolai & Mersereau, P.A.

(**) Term: **14 Years**

(57) **CLAIM**

(21) Appl. No.: **29/192,449**

The ornamental design for a “radial feed facing head for boring bar,” as shown and described.

(22) Filed: **Oct. 27, 2003**

DESCRIPTION

(51) **LOC (7) Cl.** **15-09**

(52) **U.S. Cl.** **D15/139**

(58) **Field of Search** D15/130–132,
D15/138, 139; 82/113, 117, 123, 124

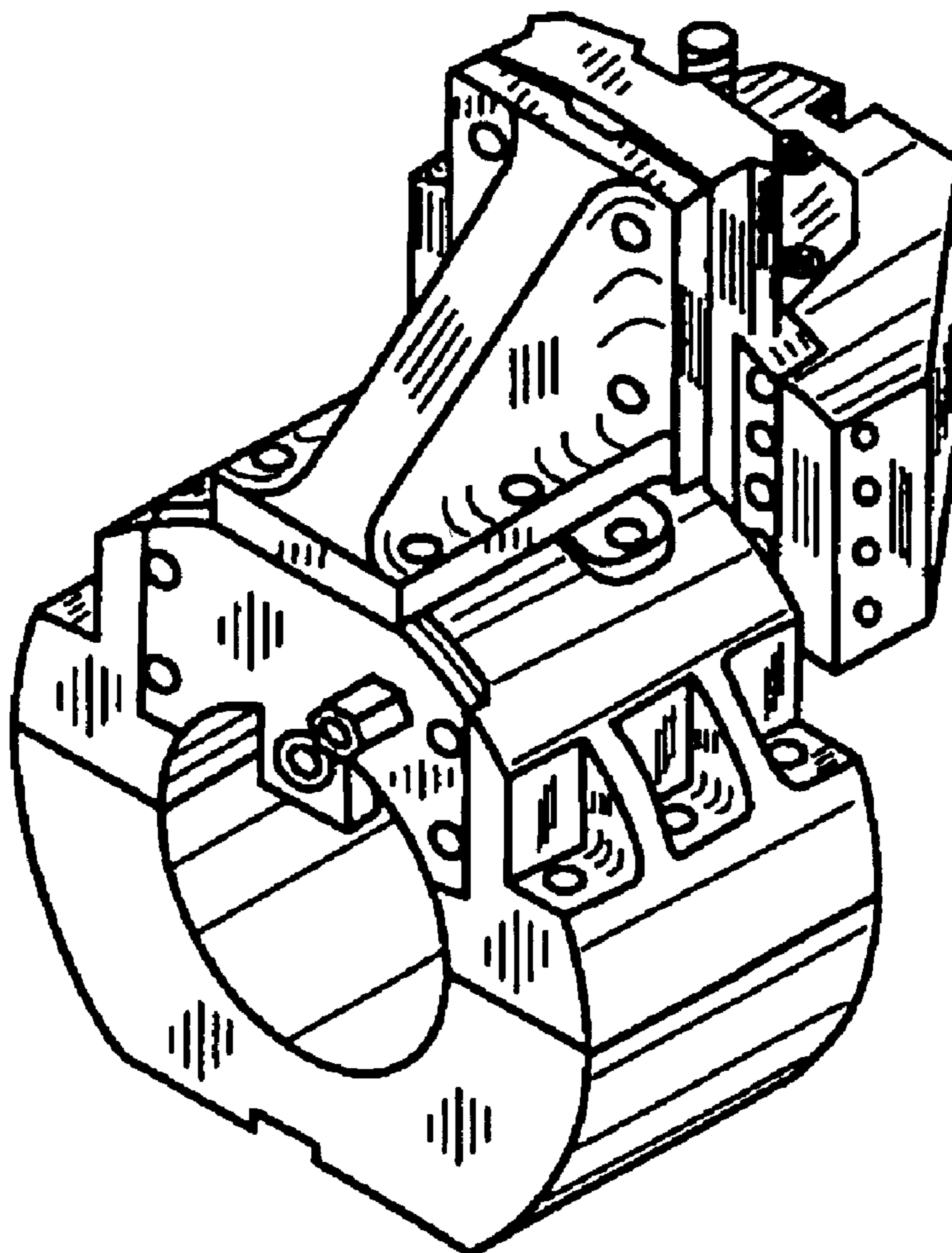
FIG. 1 is a perspective view of the radial feed facing head for boring bar showing our design;
FIG. 2 is a front elevational view thereof;
FIG. 3 is a top elevational view thereof;
FIG. 4 is a bottom side elevational view thereof;
FIG. 5 is a right side elevational view thereof;
FIG. 6 is a left elevational view thereof; and,
FIG. 7 is a rear elevational view.

(56) **References Cited**

U.S. PATENT DOCUMENTS

4,149,436 A * 4/1979 Blattler 82/113
D308,690 S * 6/1990 Andersson et al. D15/139

1 Claim, 4 Drawing Sheets



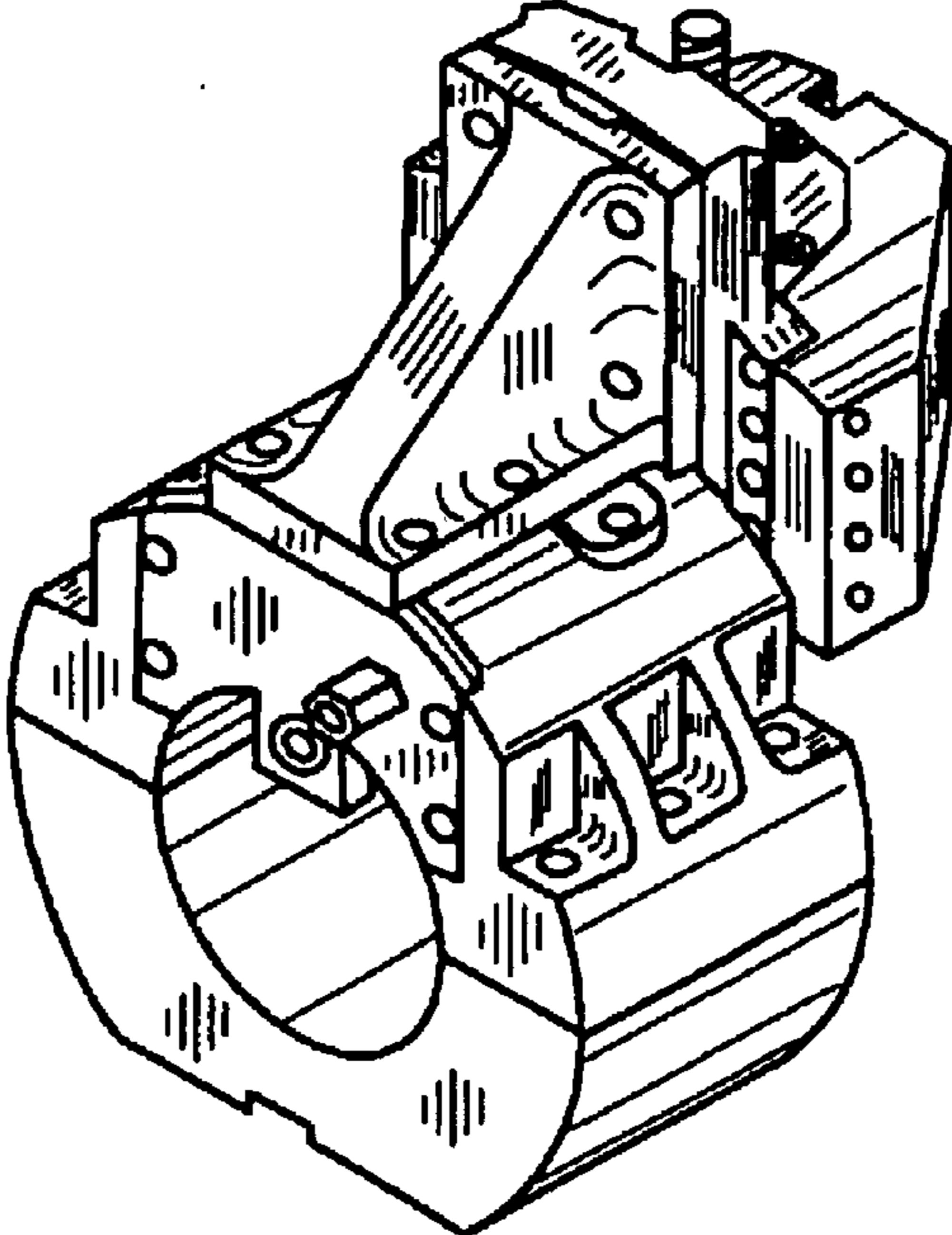


FIG. 1

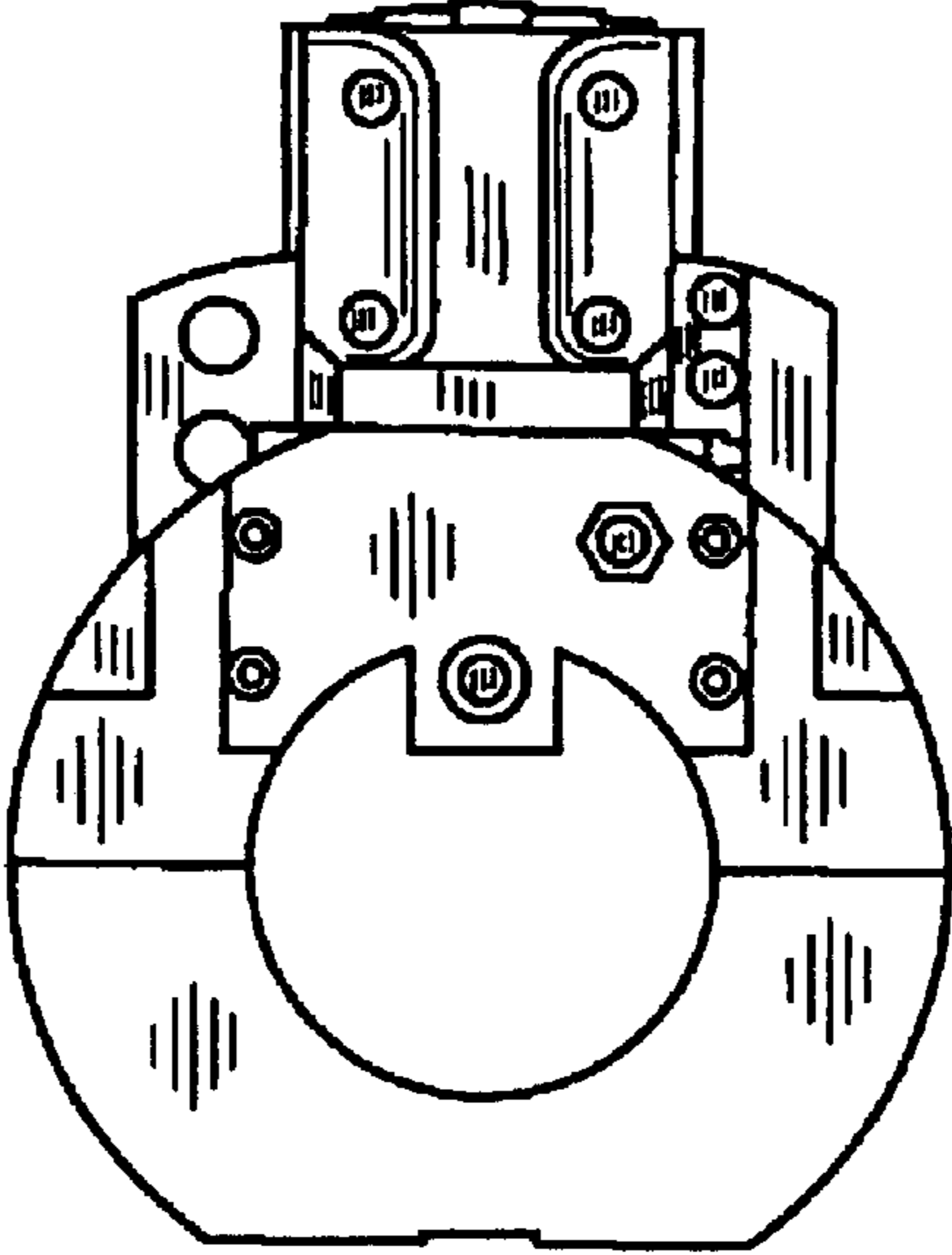


FIG. 2

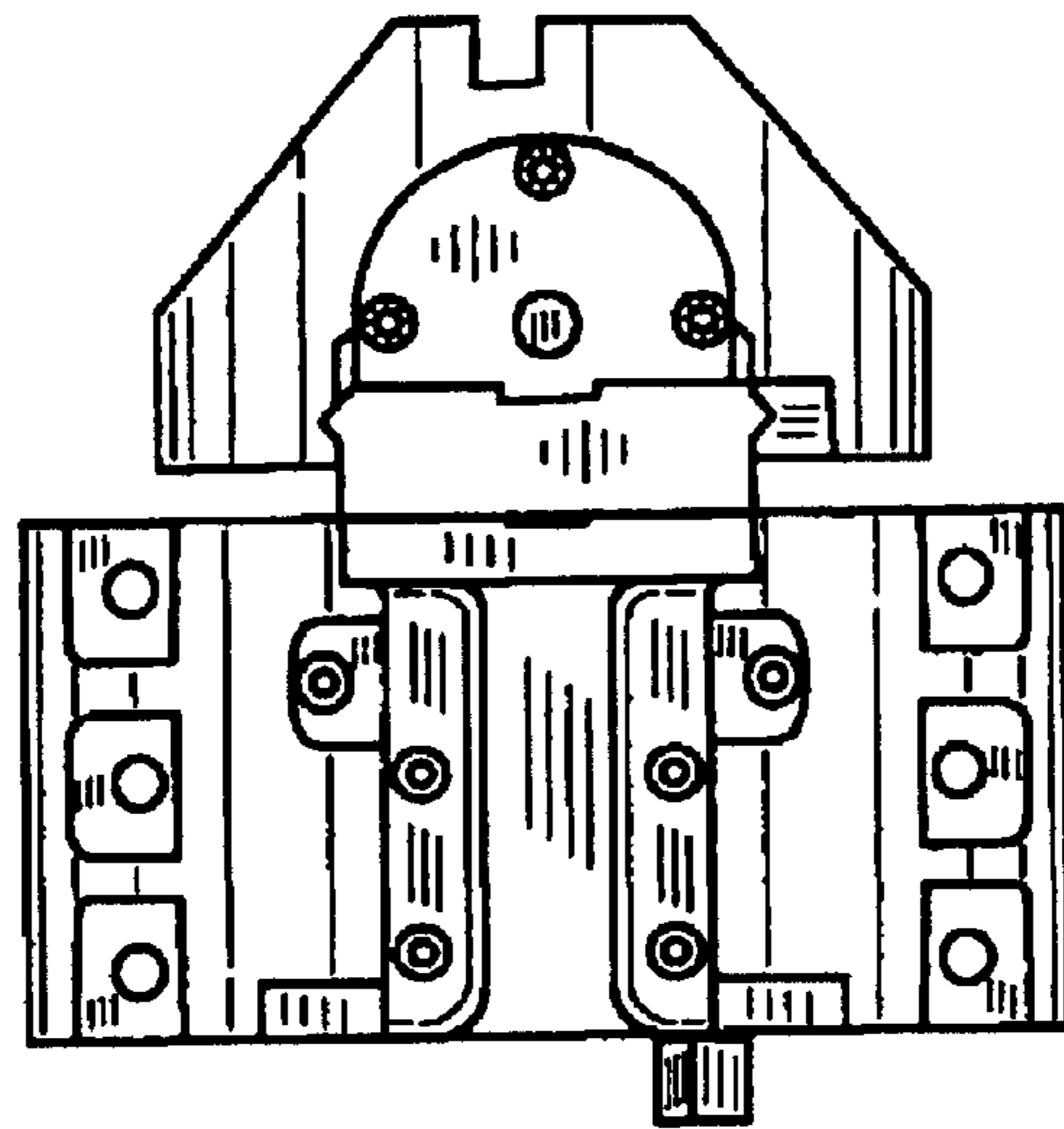


FIG. 3

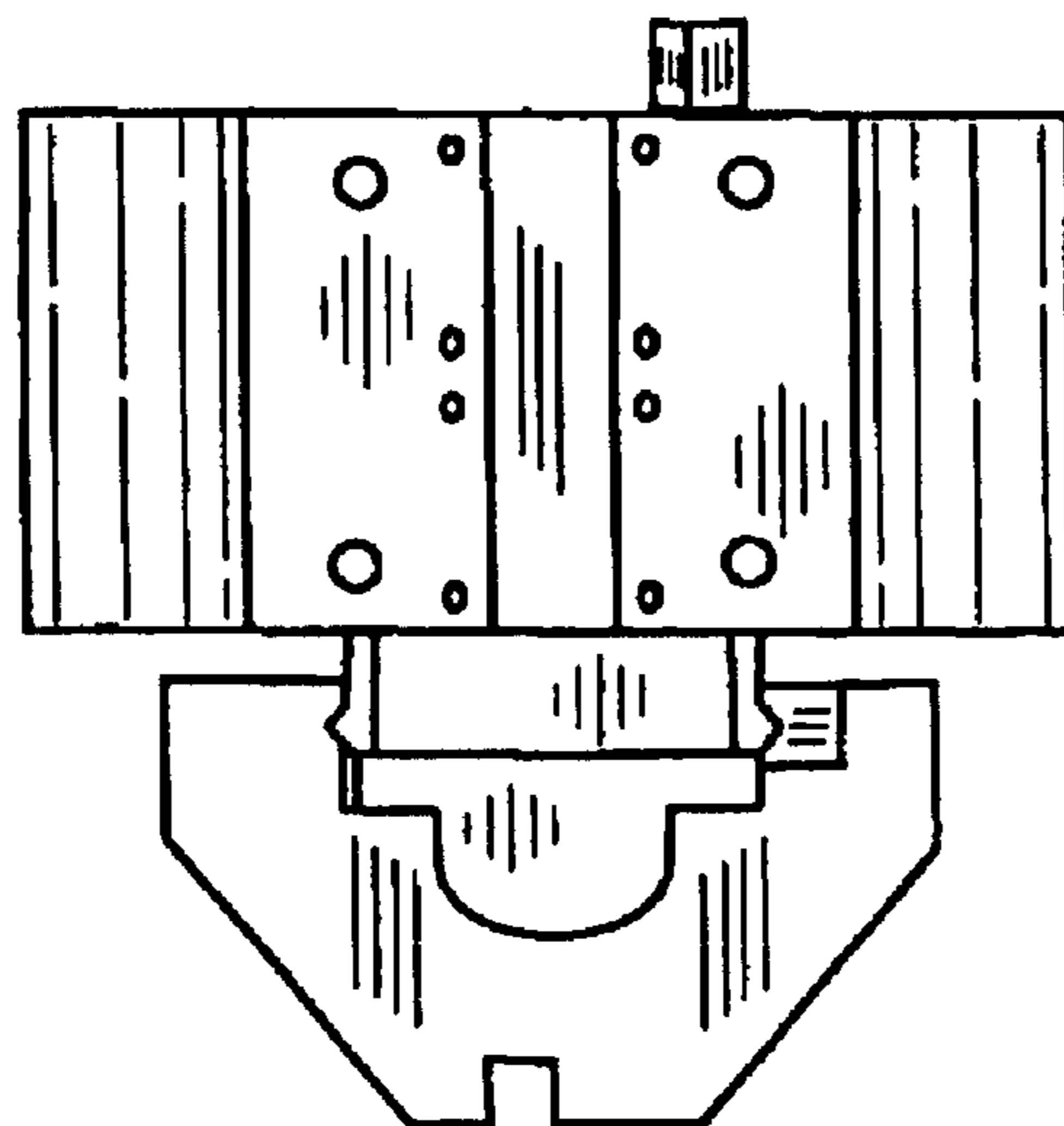


FIG. 4

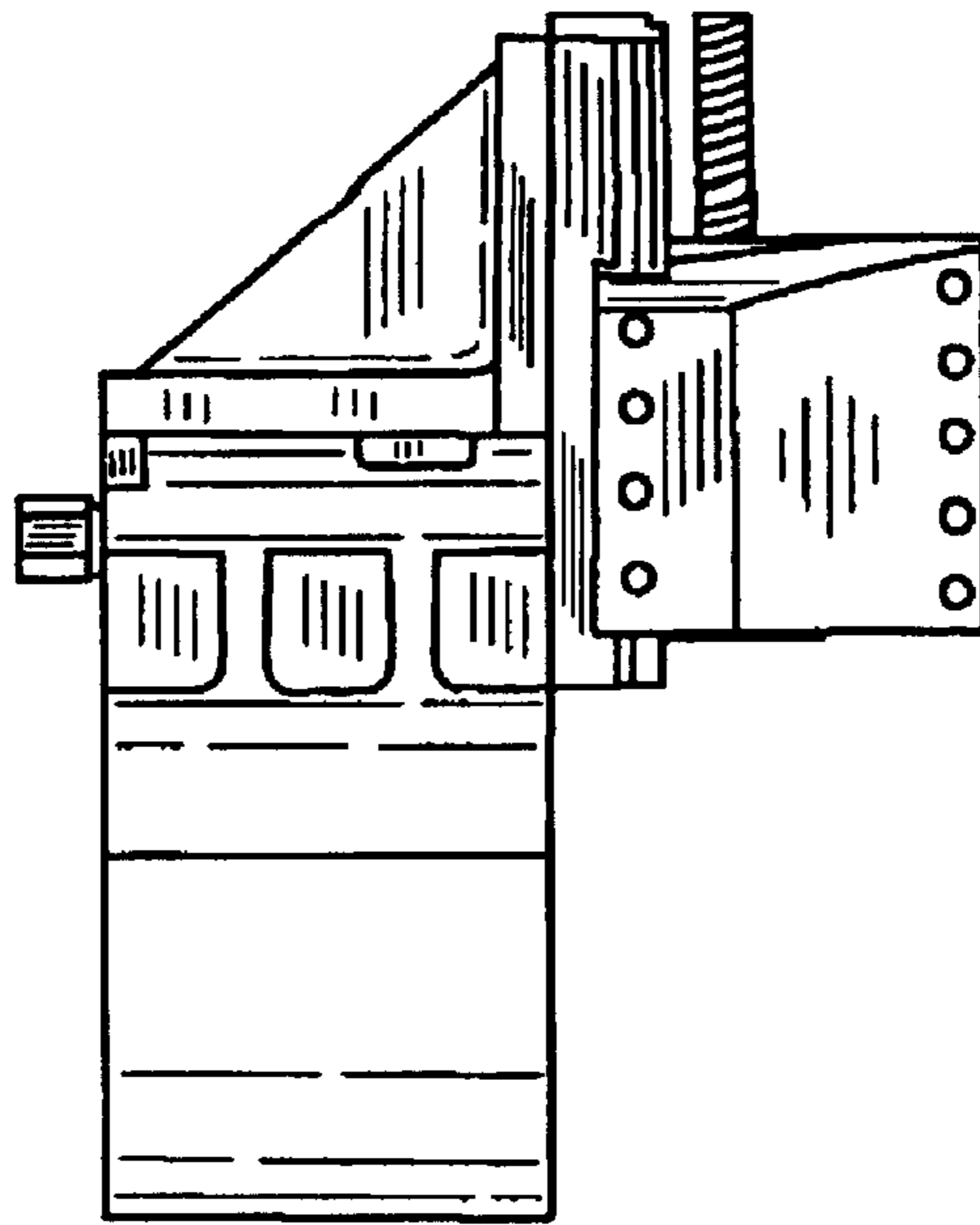


FIG. 5

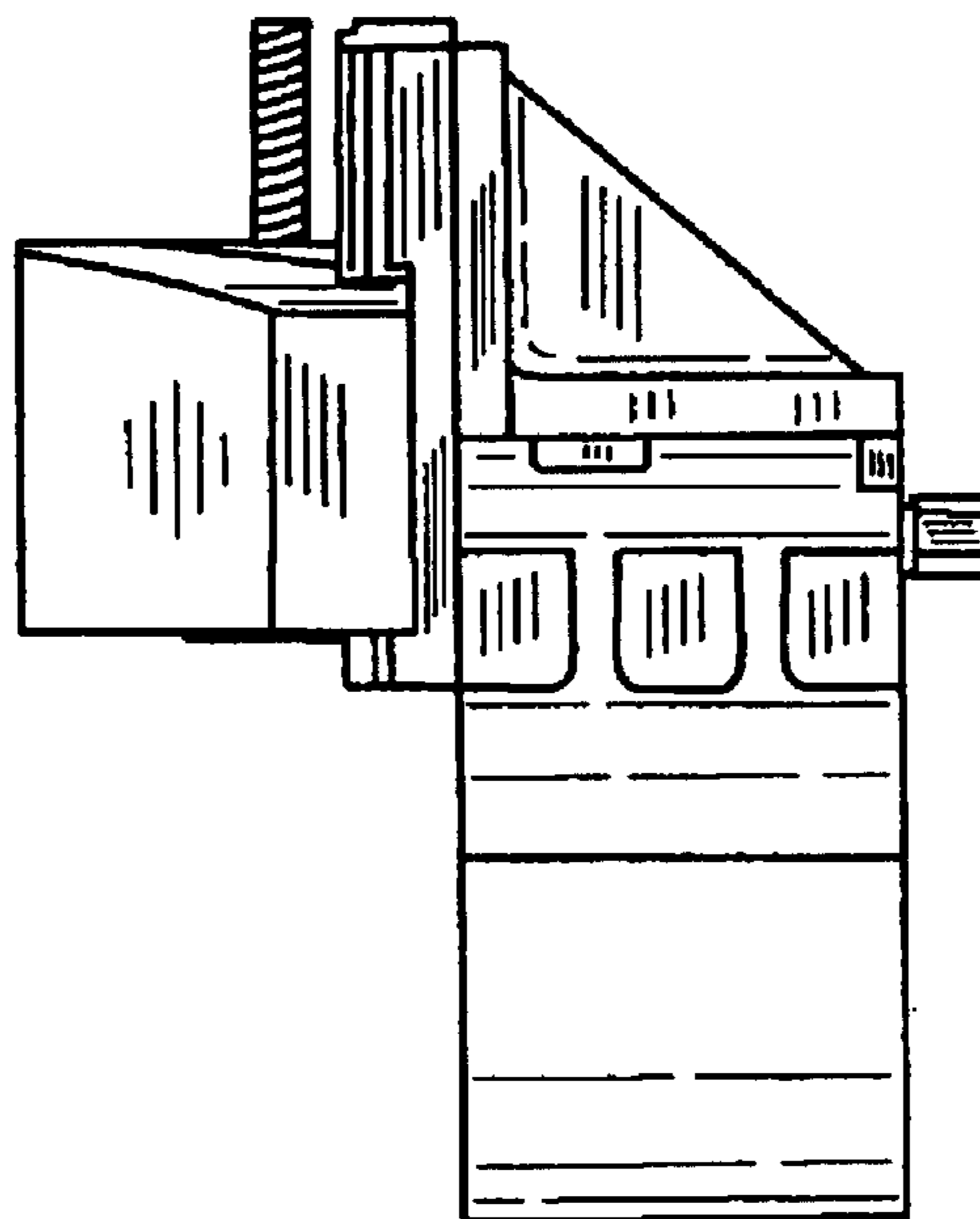


FIG. 6

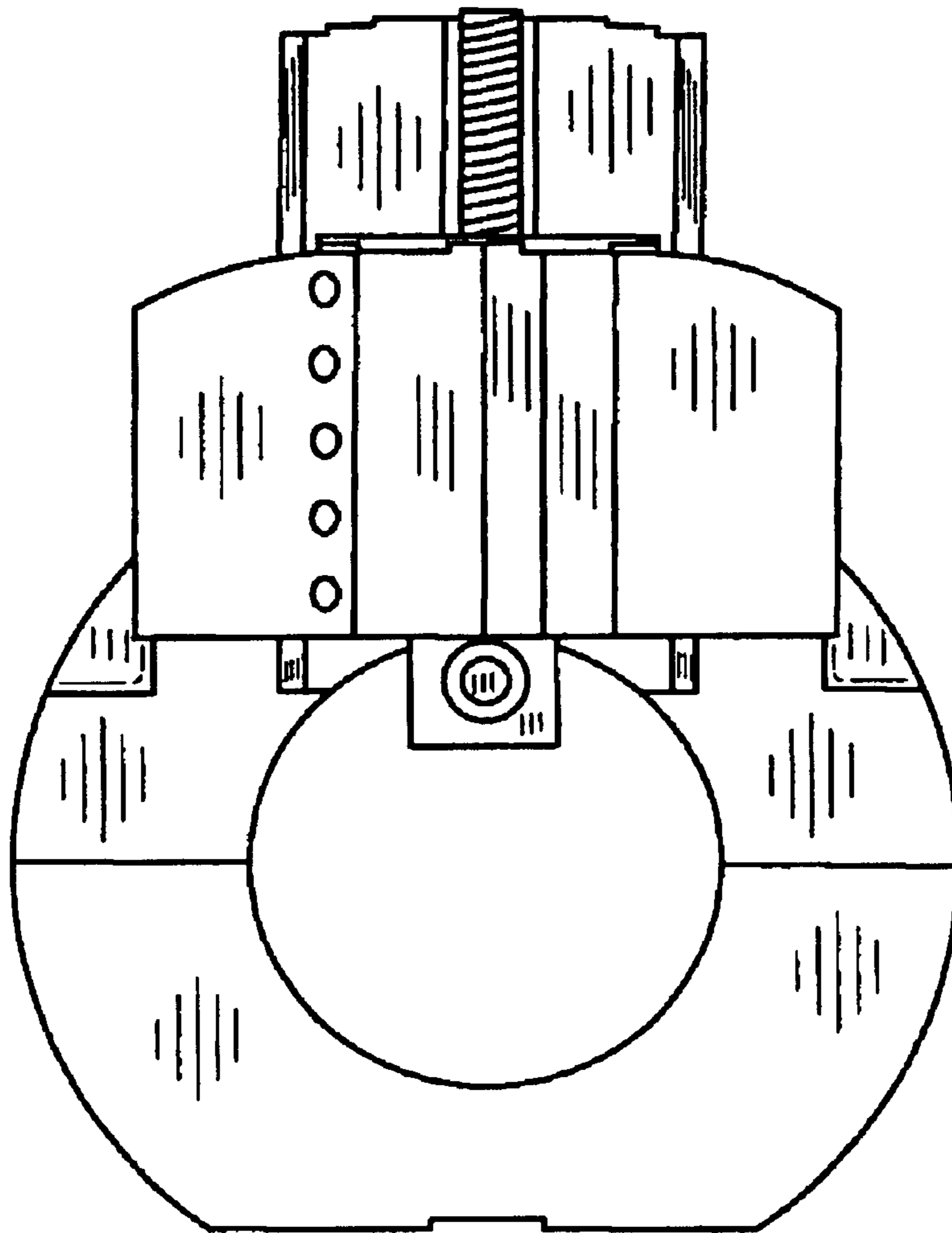


FIG. 7