

US00D502185S

(12) **United States Design Patent**  
**Byrne**

(10) **Patent No.:** **US D502,185 S**

(45) **Date of Patent:** **\*\* Feb. 22, 2005**

(54) **CUTTER BLADE**

D482,700 S \* 11/2003 Lancaster ..... D15/17

(76) Inventor: **Brian T. Byrne**, 6901 Redman La.,  
Chanhasen, MN (US) 55317

\* cited by examiner

*Primary Examiner*—Antoine D. Davis

(\*\*) Term: **14 Years**

(57) **CLAIM**

(21) Appl. No.: **29/191,932**

The ornamental design for a cutter blade, as shown and described.

(22) Filed: **Oct. 17, 2003**

**DESCRIPTION**

(51) **LOC (7) Cl.** ..... **15-03**

(52) **U.S. Cl.** ..... **D15/17**

(58) **Field of Search** ..... D15/17, 28; 30/276,  
30/347, 390; 56/255, 288, 295, 17.5; 241/282.1

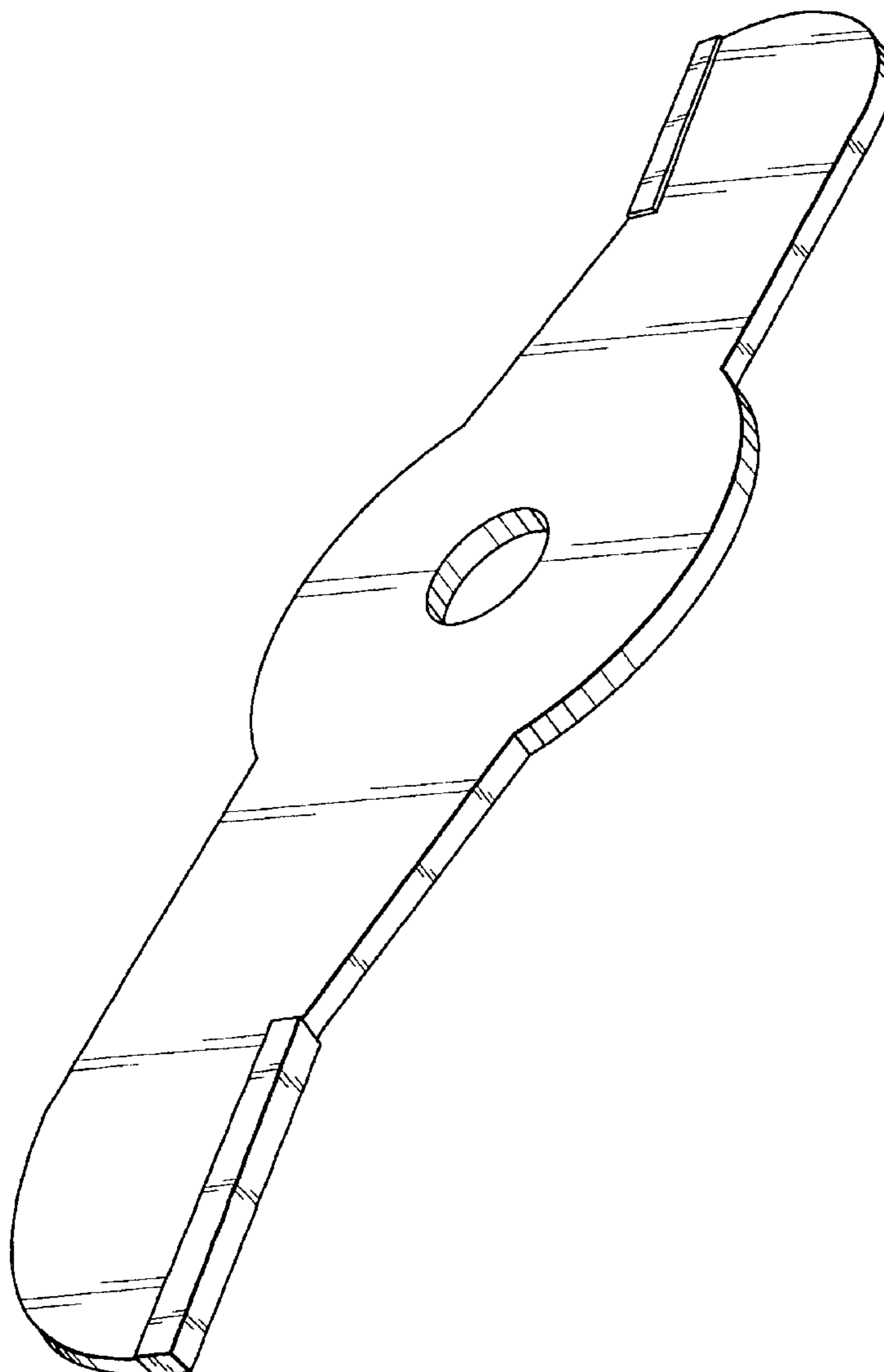
FIG. 1 is a perspective view of the cutter blade of my design;  
FIG. 2 is a front elevational view thereof;  
FIG. 3 is a rear elevational view thereof;  
FIG. 4 is a side elevational view of the right side thereof;  
FIG. 5 is a side elevational view of the left side thereof;  
FIG. 6 is a top plan view thereof; and,  
FIG. 7 is a bottom plan view thereof.

(56) **References Cited**

**U.S. PATENT DOCUMENTS**

5,394,612 A \* 3/1995 Wolfington ..... 30/347

**1 Claim, 3 Drawing Sheets**



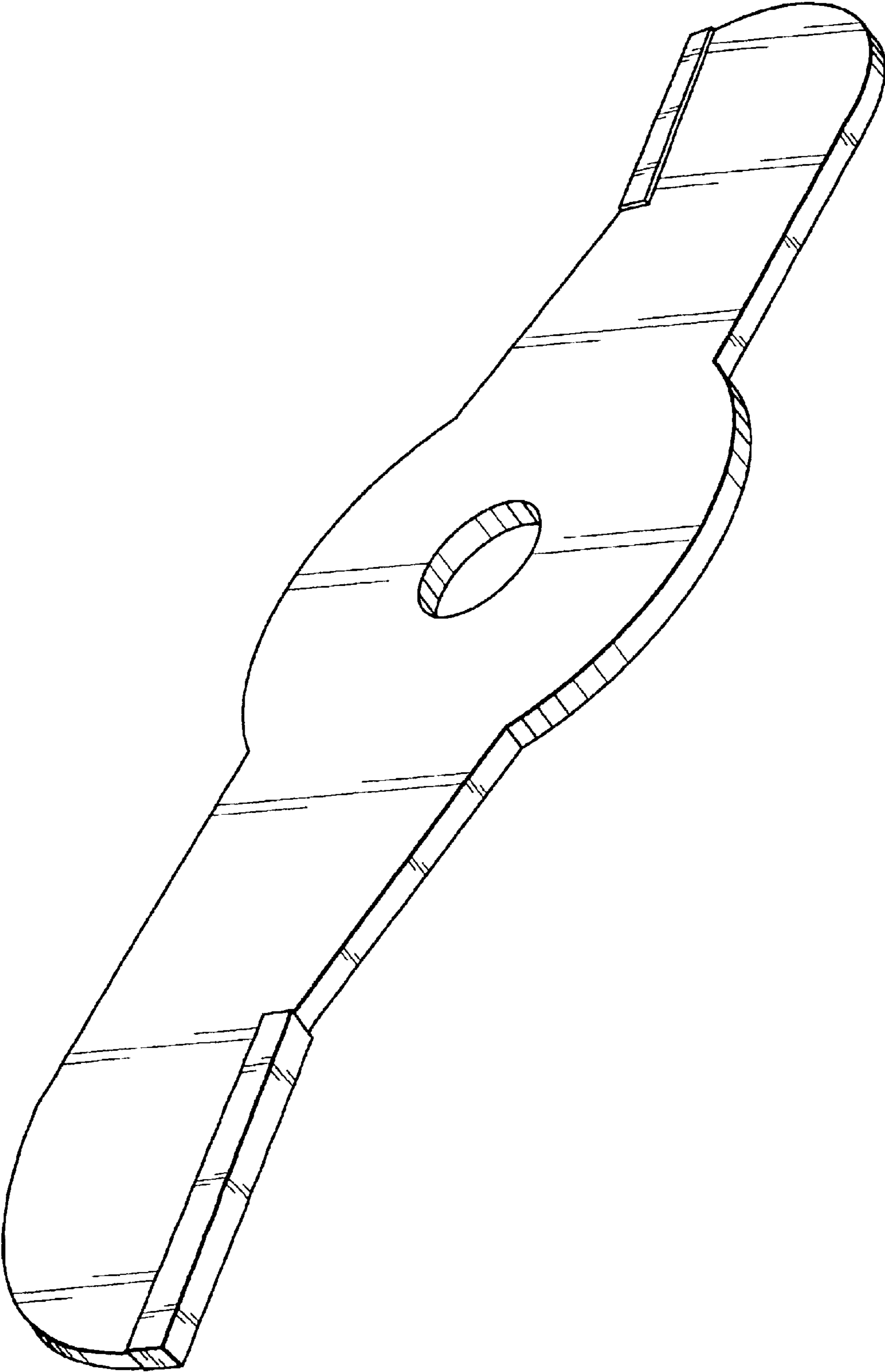


FIG. 1

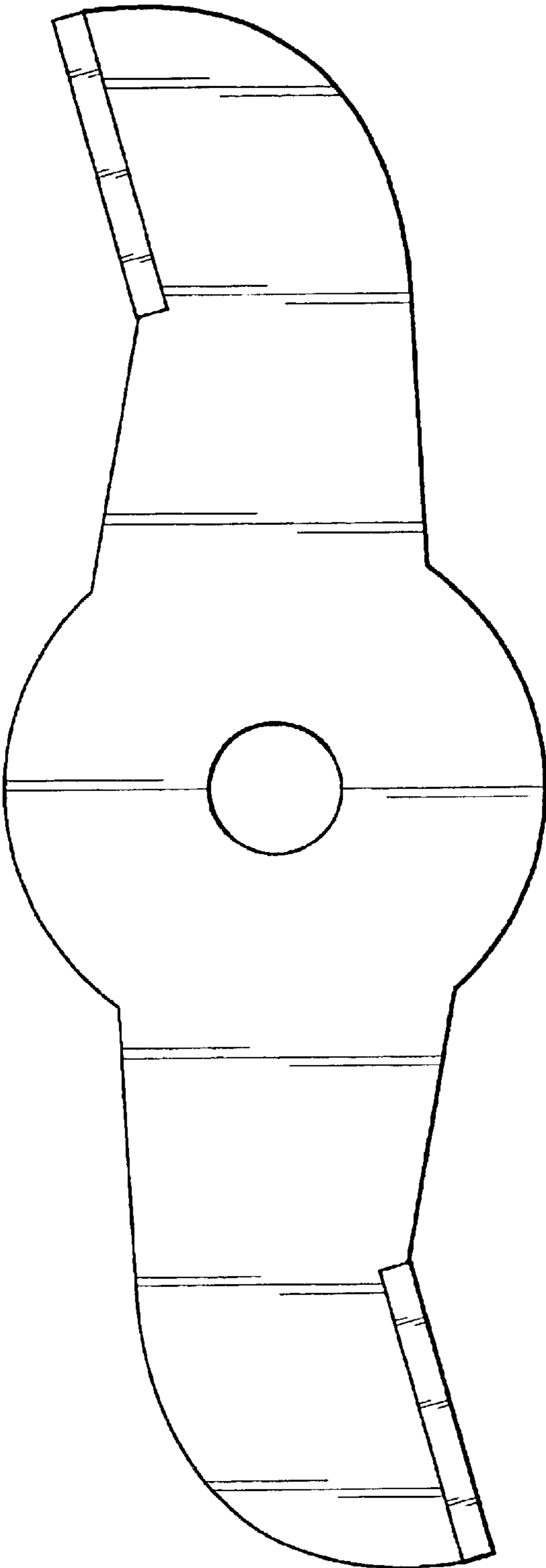


FIG. 2

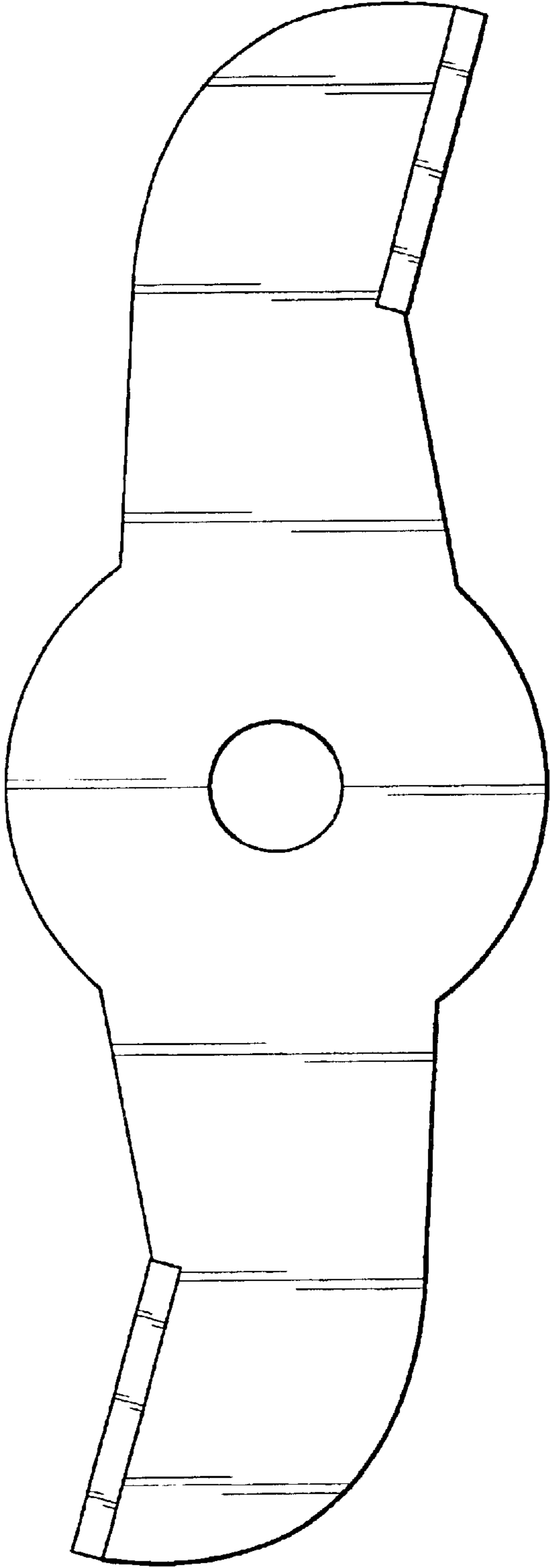


FIG. 3



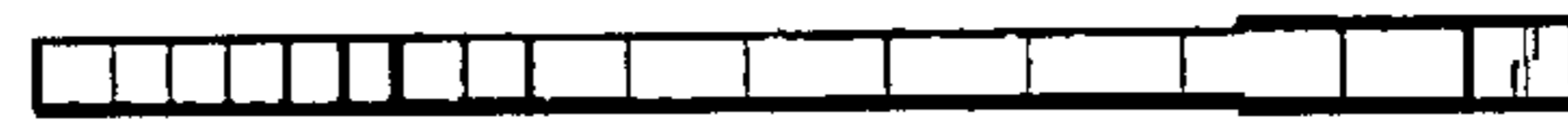
**FIG. 4**



**FIG. 5**



**FIG. 6**



**FIG. 7**