

US00D502183S

(12) **United States Design Patent**  
**Gant et al.**

(10) **Patent No.: US D502,183 S**  
(45) **Date of Patent: \*\* Feb. 22, 2005**

(54) **MEDIA TRAY AND DISPLAY**

(75) Inventors: **Scott R. Gant**, San Diego, CA (US);  
**George VandeGrift Barker**, San Diego, CA (US); **George Franklin Nasworthy, Jr.**, Encinitas, CA (US); **Wallace S. Halliday**, San Diego, CA (US)

(73) Assignee: **Hewlett-Packard Development Company, LP.**, Houston, TX (US)

(\*\*) Term: **14 Years**

(21) Appl. No.: **29/200,587**

(22) Filed: **Mar. 2, 2004**

(51) **LOC (7) Cl.** ..... **16-03**

(52) **U.S. Cl.** ..... **D14/468; D14/469; D14/470**

(58) **Field of Search** ..... **D14/462-471; 358/400, 401; D18/36, 37**

(56) **References Cited**

**U.S. PATENT DOCUMENTS**

4,914,281 A	*	4/1990	Benton et al.	.....	235/492
D315,151 S	*	3/1991	Tamano et al.	.....	D14/468
5,172,243 A	*	12/1992	Hayashi et al.	.....	358/400
5,183,431 A	*	2/1993	Todokoro	.....	446/142
D344,939 S	*	3/1994	Kashiwabara et al.	.....	D14/468
D355,179 S	*	2/1995	Sawada et al.	.....	D14/468

D355,906 S	*	2/1995	Yoshihara et al.	.....	D14/468
D368,084 S	*	3/1996	Kaneko	.....	D14/470
D386,490 S	*	11/1997	Fujimoto	.....	D14/468
D395,332 S	*	6/1998	Leong et al.	.....	D18/55
D428,608 S	*	7/2000	Ishio et al.	.....	D14/470

\* cited by examiner

*Primary Examiner*—Prabhakar Deshmukh

(57) **CLAIM**

We claim the ornamental design for a media tray and display, as shown and described.

**DESCRIPTION**

FIG. 1 is a top perspective view of one embodiment of a design of a media tray and display of the present invention in a first position;

FIG. 2 is a top plan view thereof;

FIG. 3 is a front elevational view thereof;

FIG. 4 is a left-end elevational view thereof;

FIG. 5 is a right-end elevational view thereof;

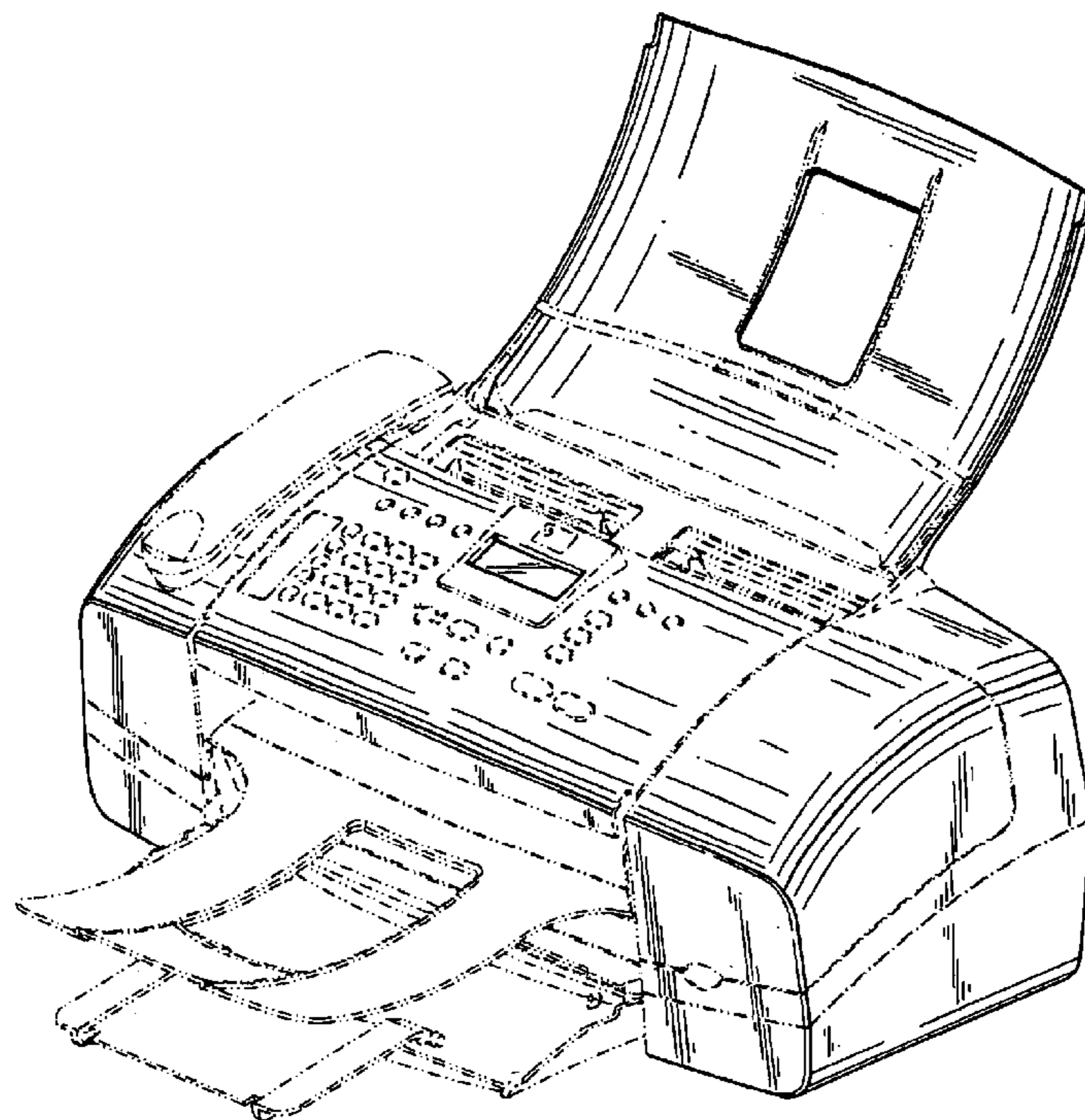
FIG. 6 is a rear elevational view thereof;

FIG. 7 is a bottom plan view thereof; and,

FIG. 8 is a top perspective view of the media tray and display of FIG. 1 in a second position.

The broken lines immediately adjacent the shaded areas represent the bounds of the claim and all other broken lines are for illustrative purposes only. None of the broken lines form a part of the claimed design.

**1 Claim, 6 Drawing Sheets**



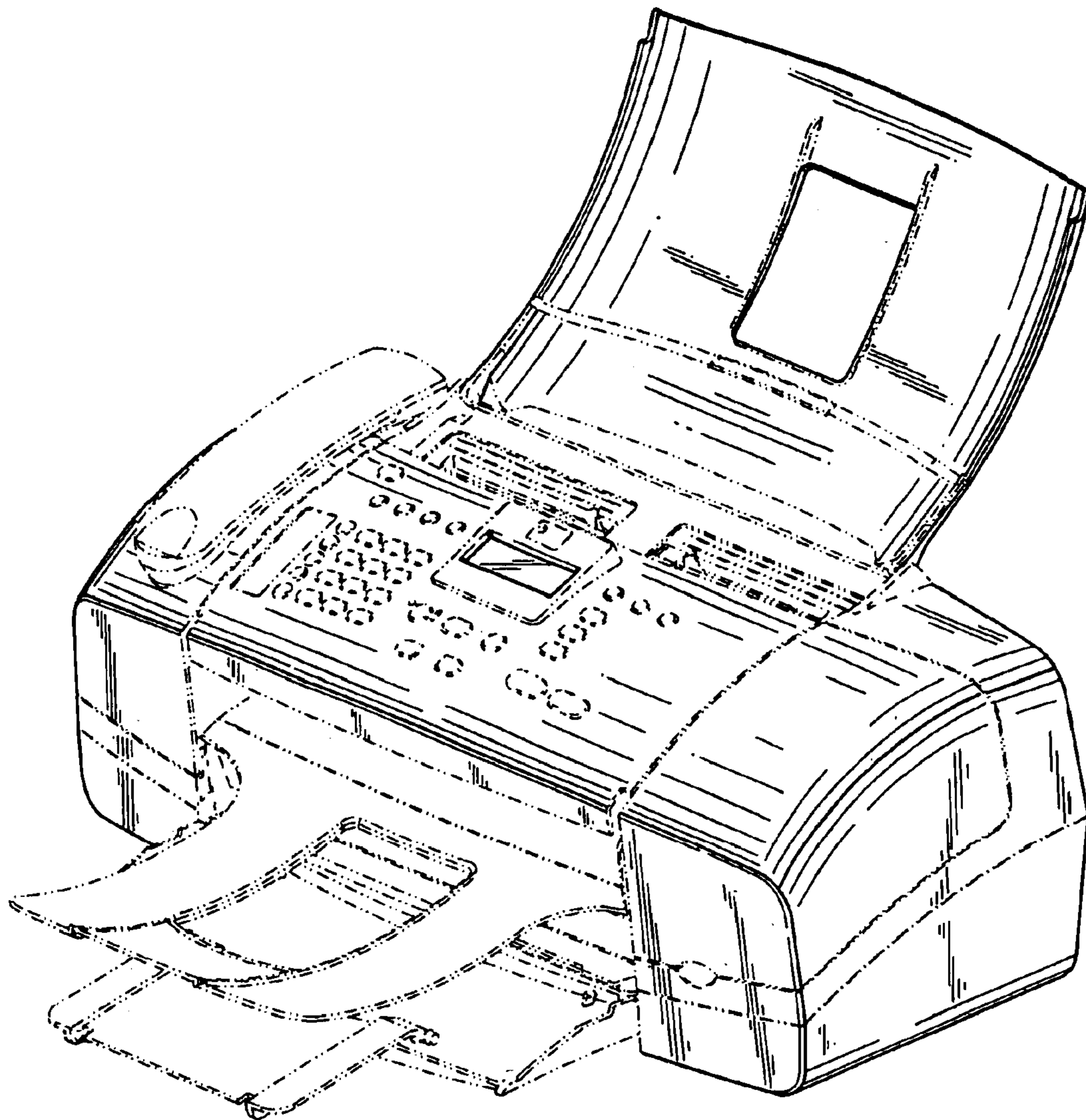


FIG. 1

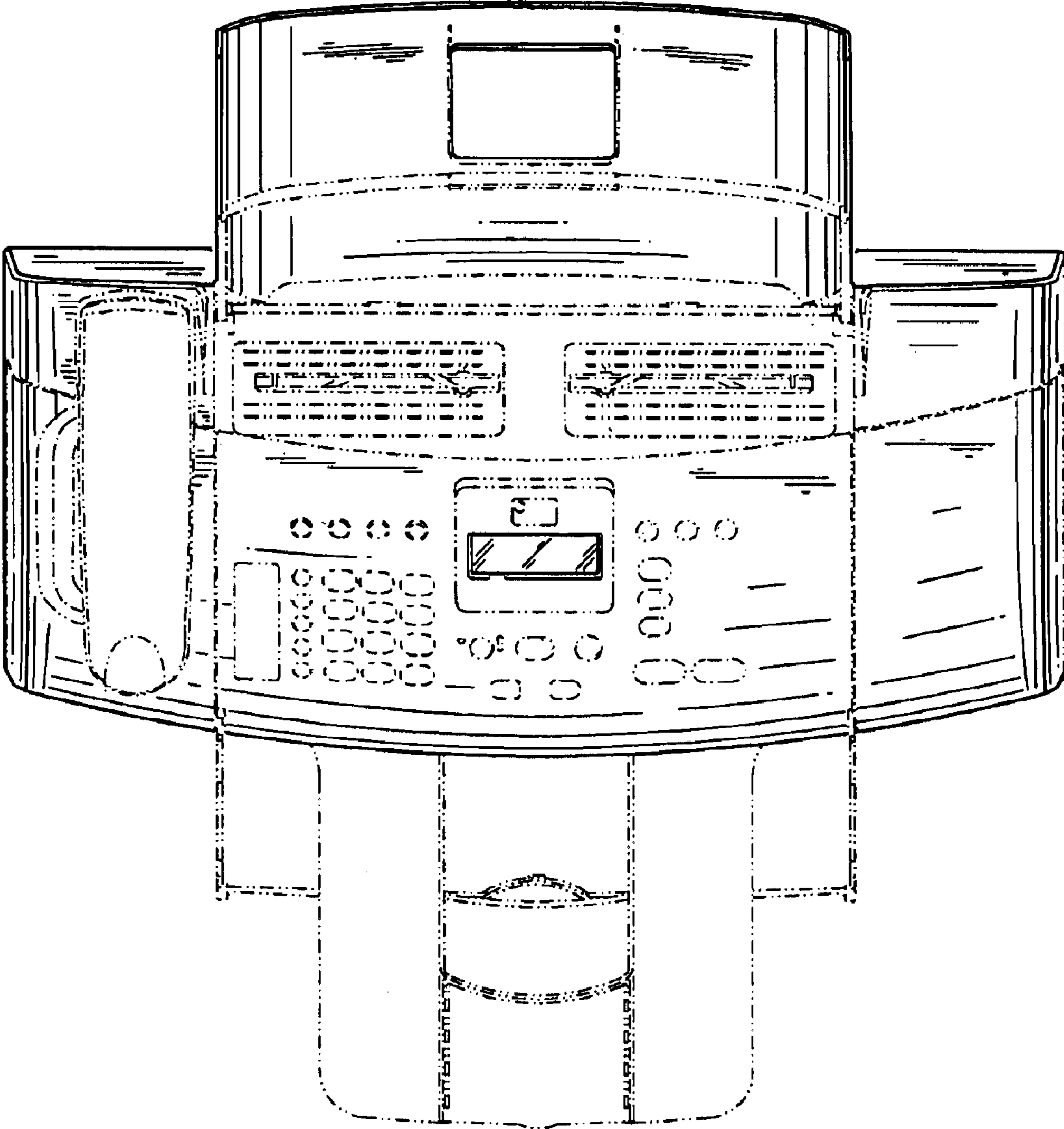


FIG. 2



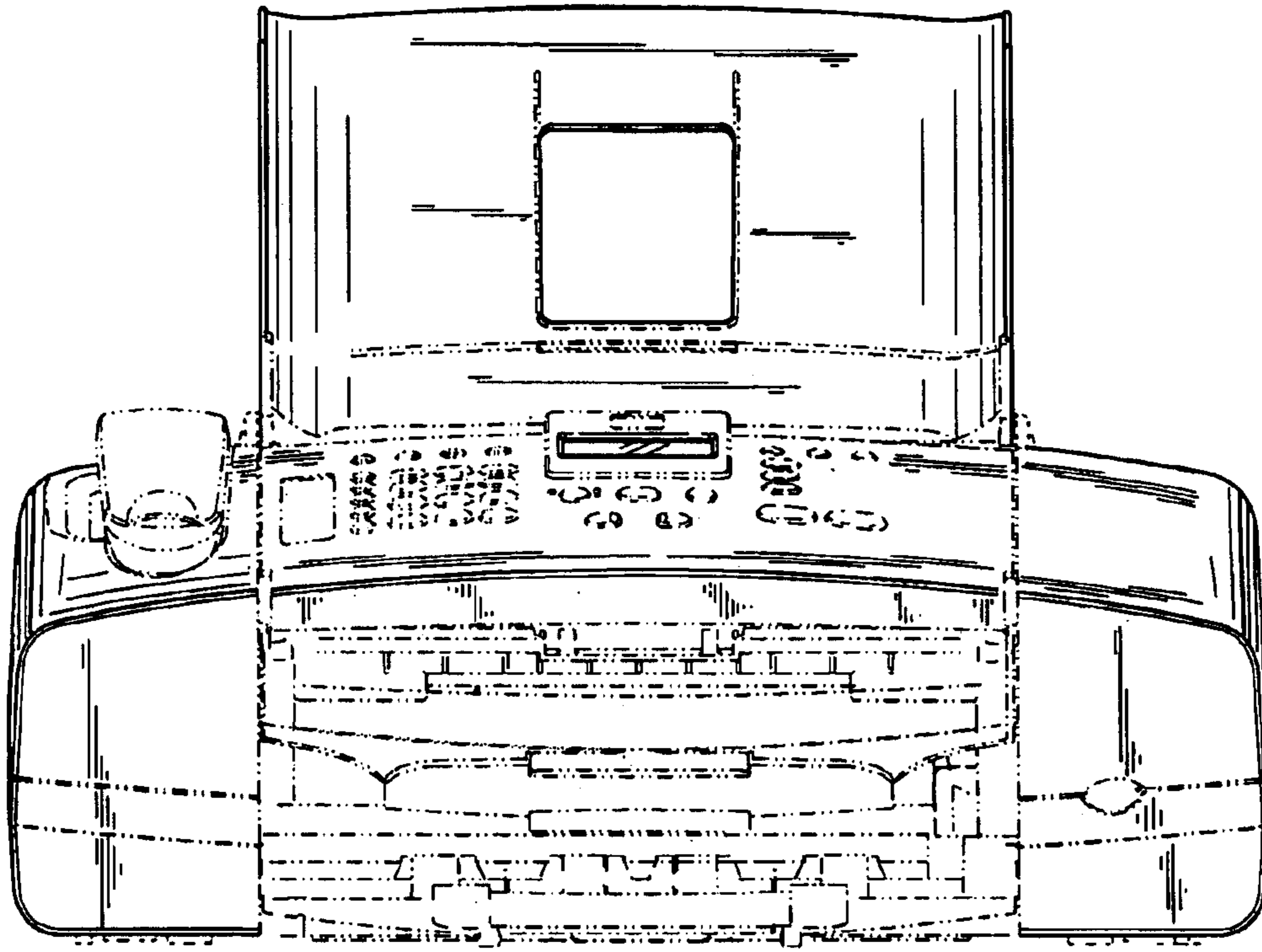


FIG. 3

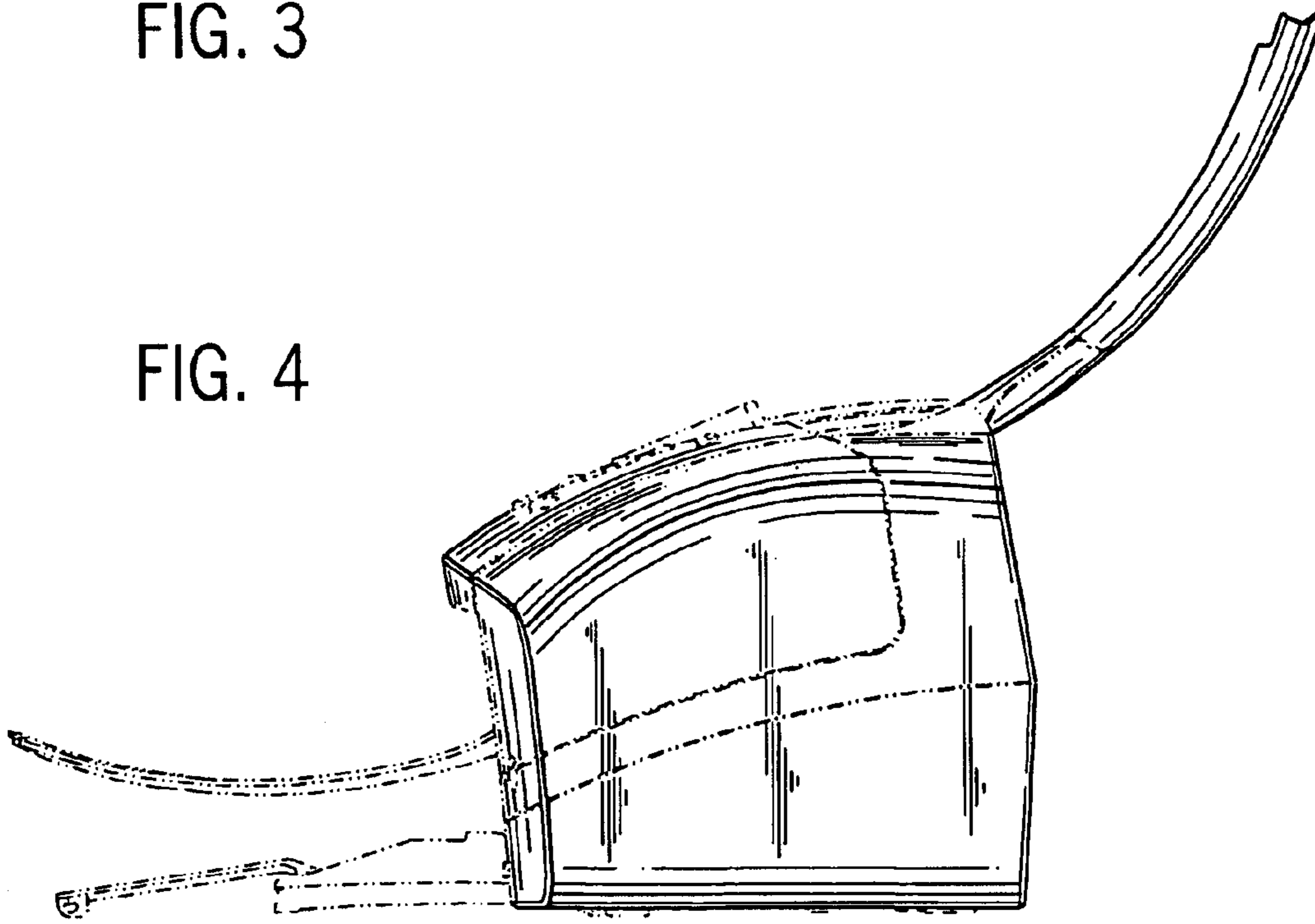


FIG. 4

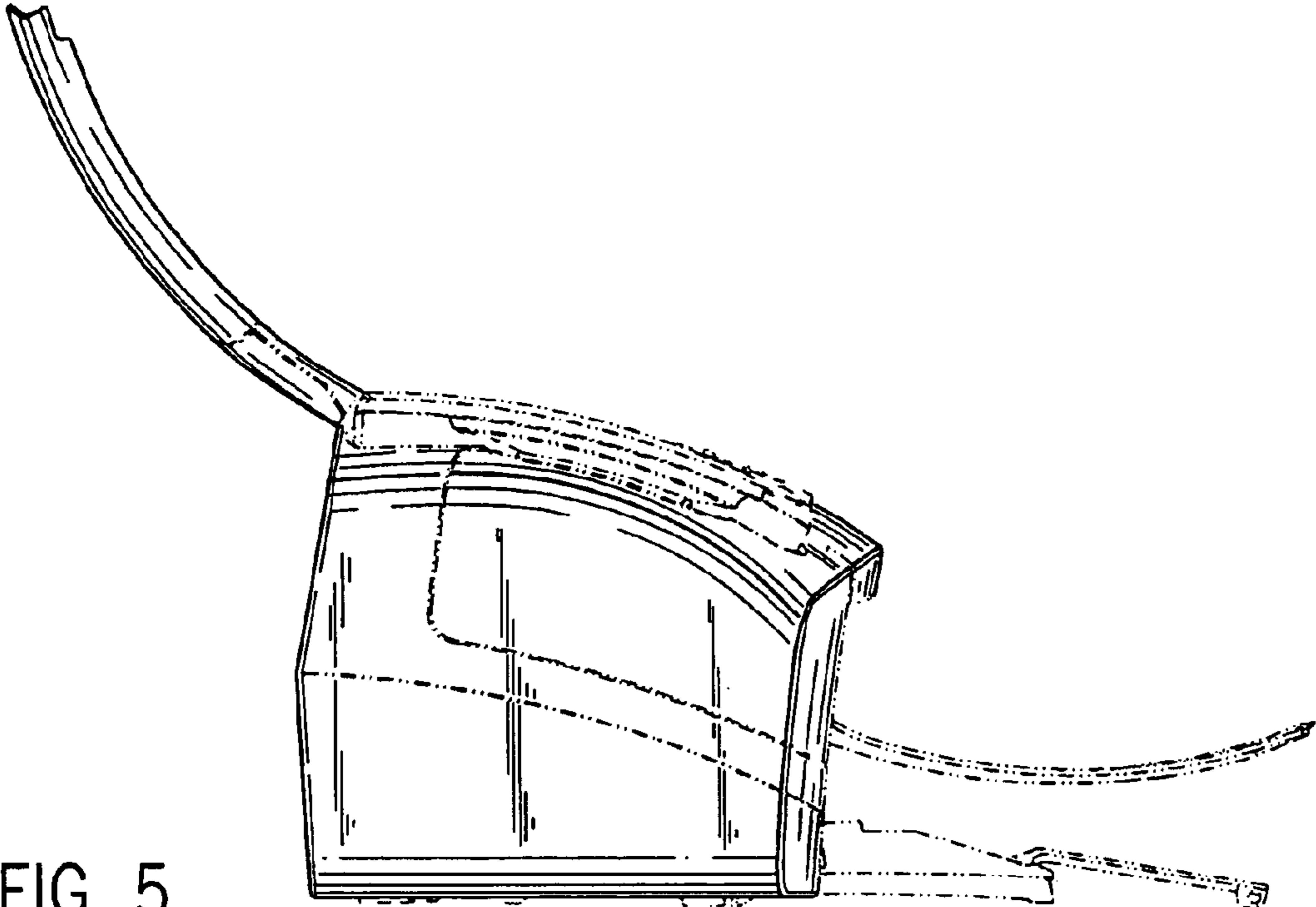
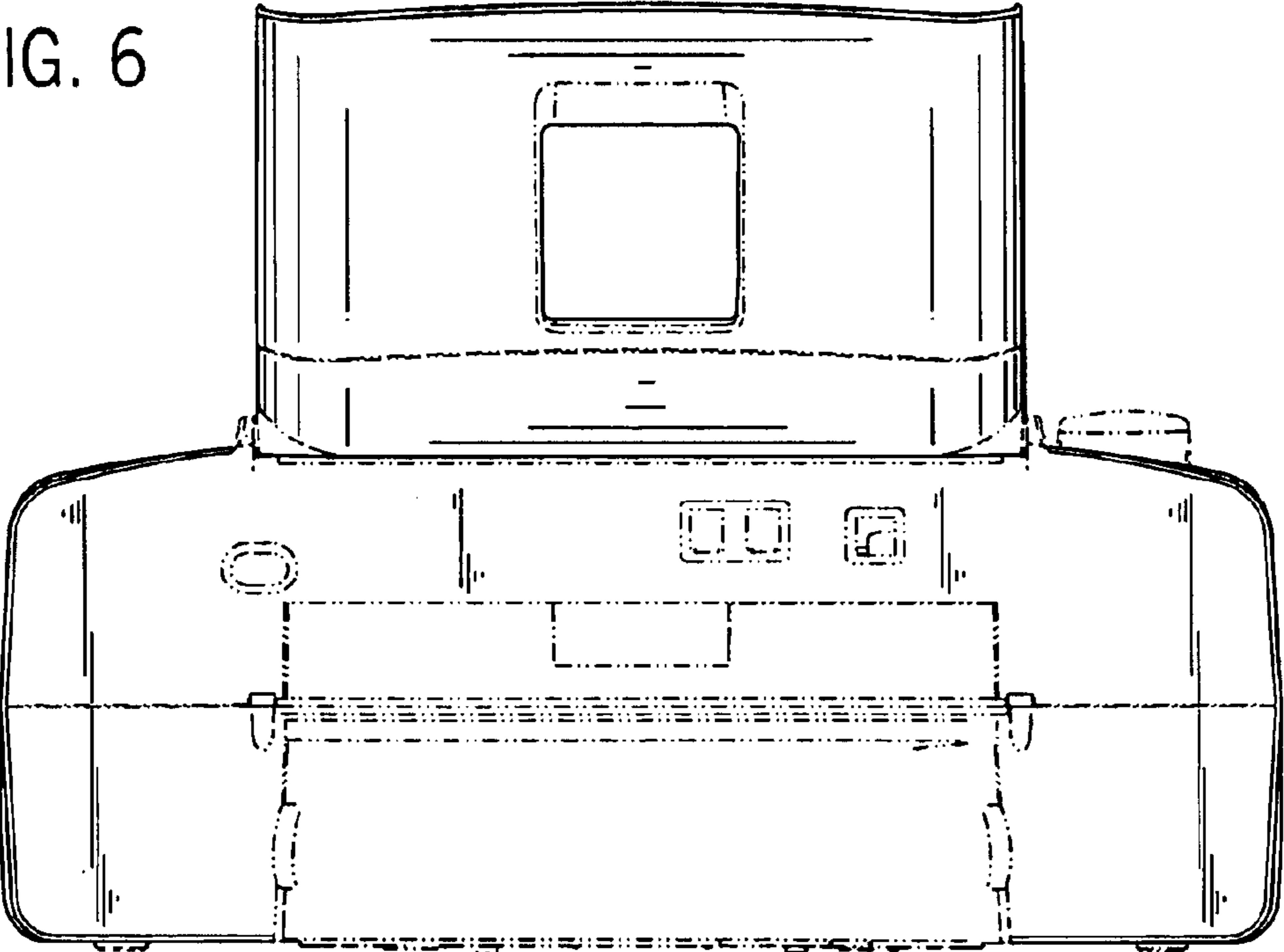


FIG. 5

FIG. 6



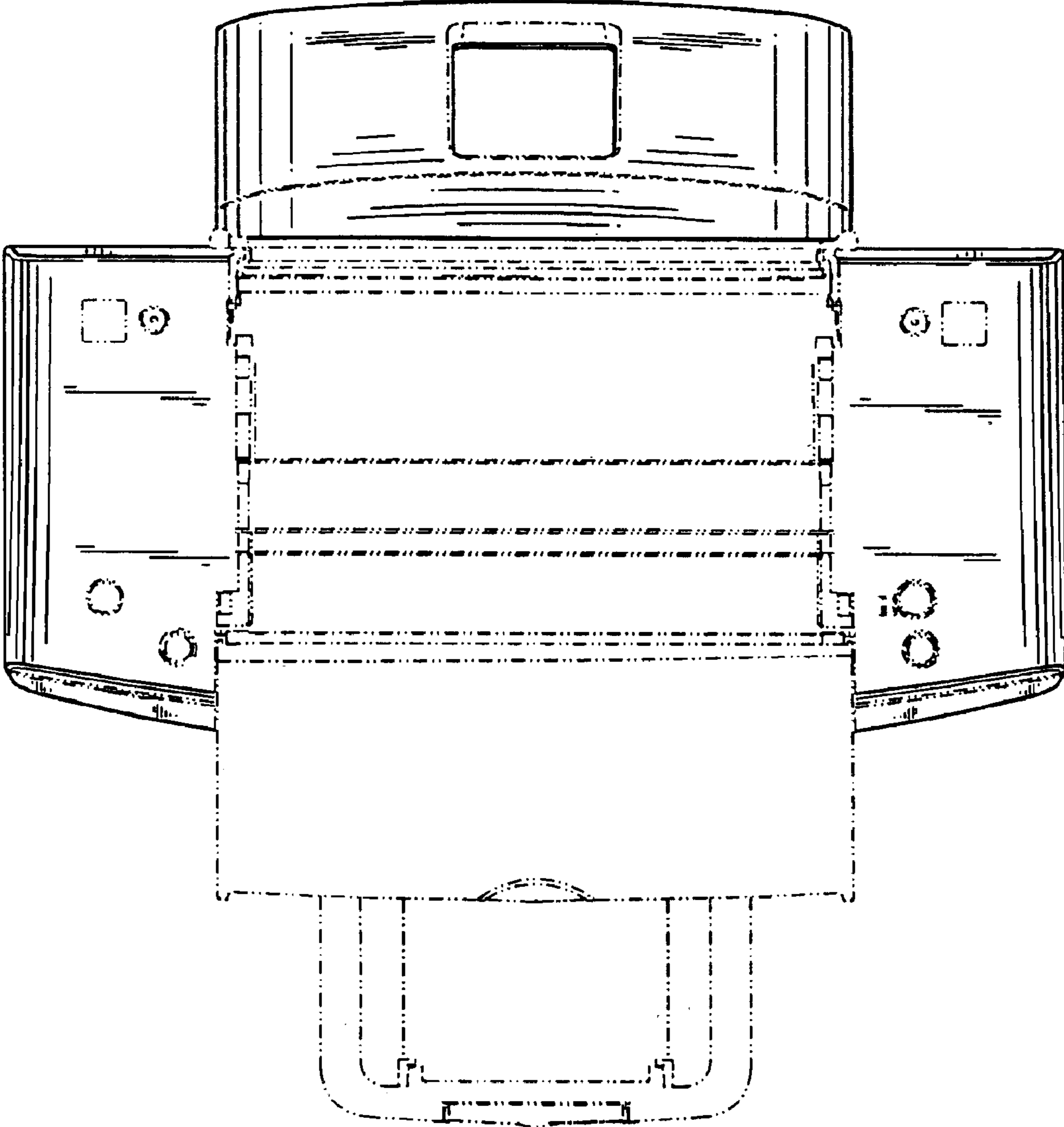


FIG. 7

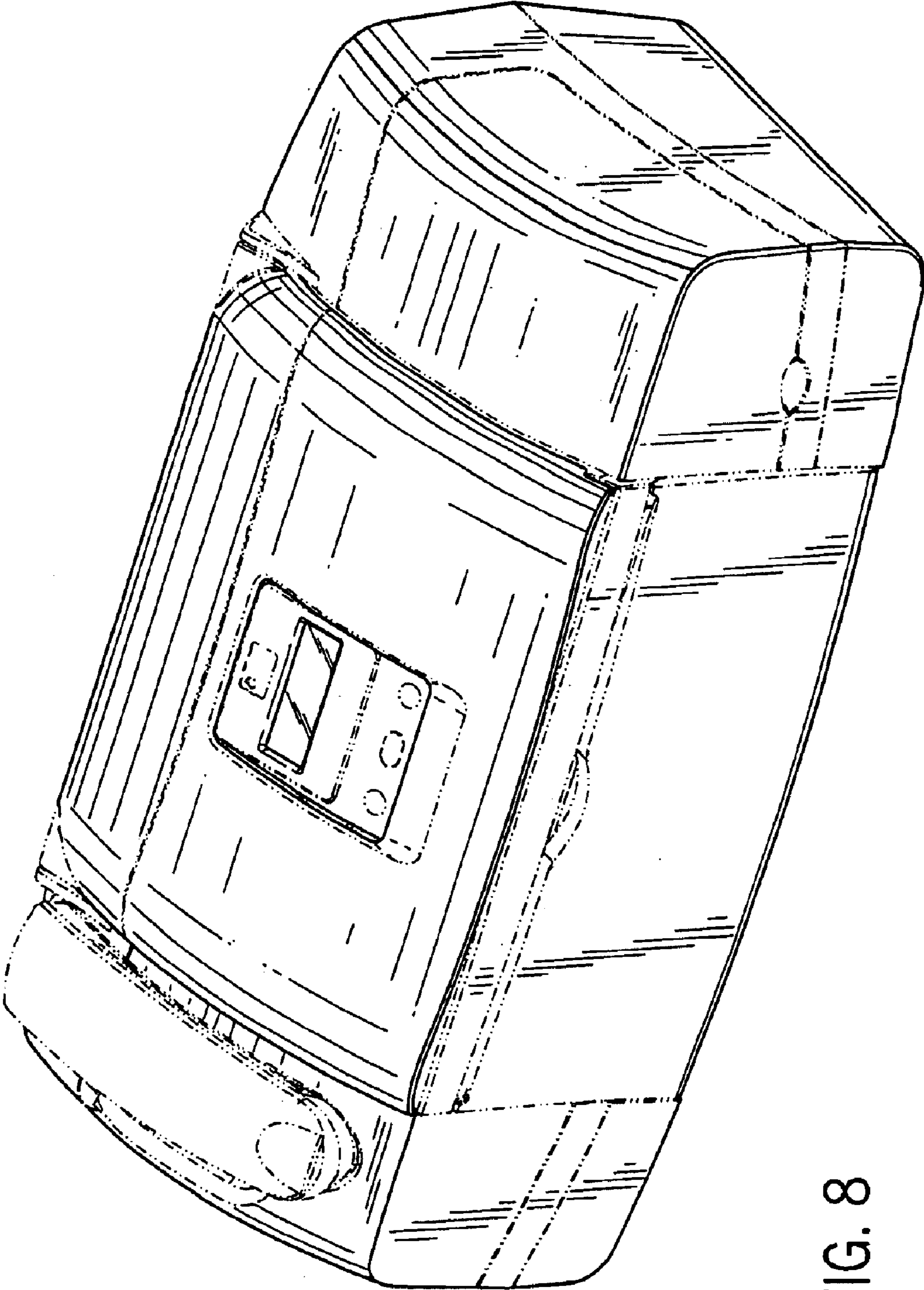


FIG. 8