

US00D502182S

(12) **United States Design Patent**  
**Mitchell et al.**

(10) **Patent No.:** **US D502,182 S**

(45) **Date of Patent:** **\*\* Feb. 22, 2005**

(54) **ELECTRONIC KEY CARD ENCODER**

(75) Inventors: **Ernst Kern Mitchell**, Sterling Heights, MI (US); **Charles W. Moon**, Colorado Springs, CO (US); **Roger Carlson**, Troy, MI (US); **Glenn Lee Peacock**, Farmington Hills, MI (US)

(73) Assignee: **Computerized Security Systems, Inc.**, Troy, MI (US)

(\*\*) Term: **14 Years**

(21) Appl. No.: **29/198,962**

(22) Filed: **Feb. 6, 2004**

(51) **LOC (7) Cl.** ..... **14-02**

(52) **U.S. Cl.** ..... **D14/436**

(58) **Field of Search** ..... D14/356-359,  
D14/435-436; D19/10; 283/70, 75, 82,  
83; 340/572.7; 156/273.1

(56) **References Cited**

**U.S. PATENT DOCUMENTS**

4,100,011 A \* 7/1978 Foote ..... 156/273.1  
4,455,039 A \* 6/1984 Weitzen et al. .... 283/83

4,522,428 A \* 6/1985 Small et al. .... 283/82  
D287,027 S \* 12/1986 Stiler ..... D19/10  
D450,708 S \* 11/2001 Hsu ..... D14/435  
D453,338 S \* 2/2002 Pentz et al. .... D14/436  
D462,966 S \* 9/2002 Pentz et al. .... D14/436  
D473,234 S \* 4/2003 Hussaini et al. .... D14/436  
D474,774 S \* 5/2003 Taniguchi et al. .... D14/436  
D484,883 S \* 1/2004 Metivier et al. .... D14/436

\* cited by examiner

*Primary Examiner*—Freda S. Nunn

(74) *Attorney, Agent, or Firm*—Carlson, Gaskey & Olds

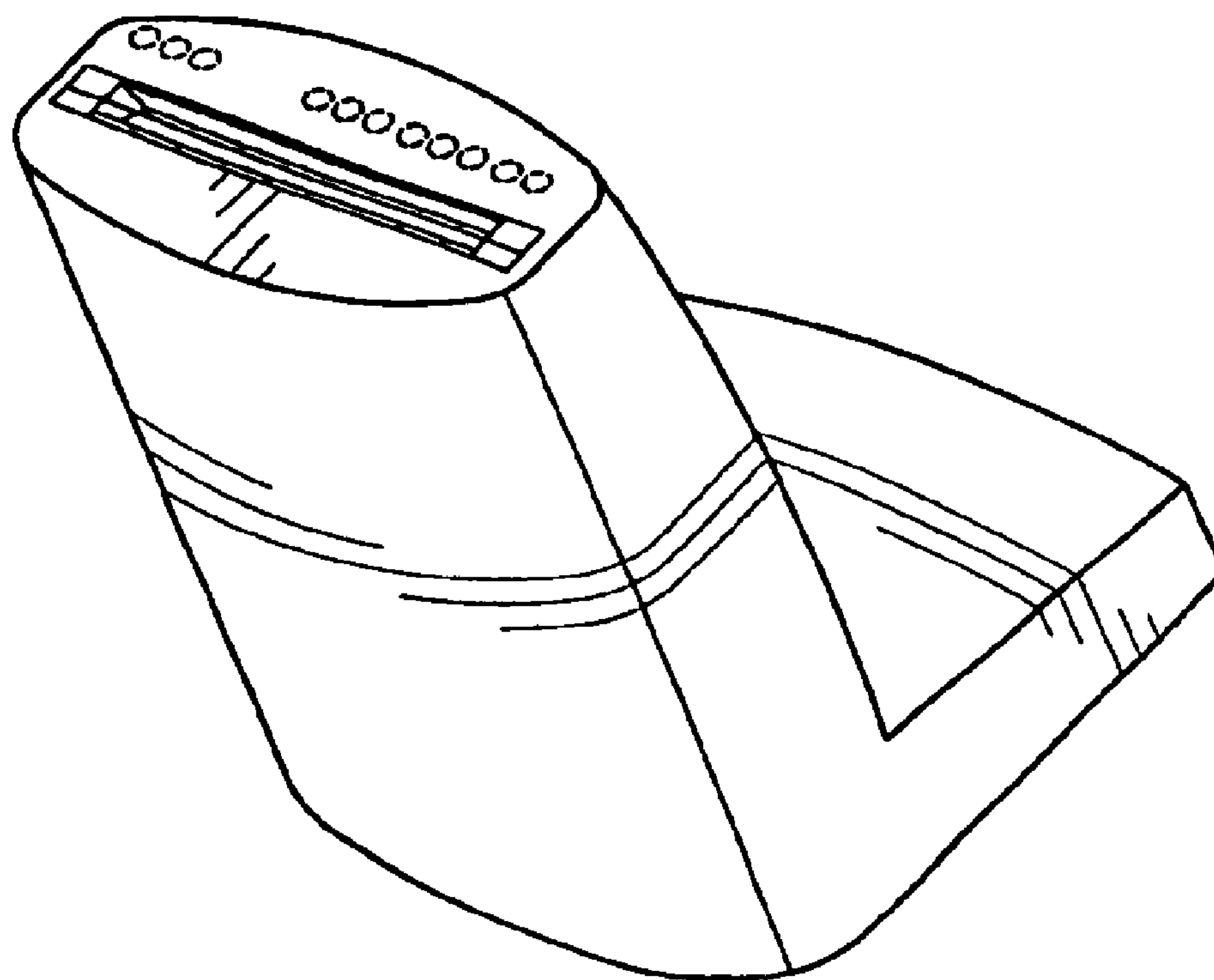
(57) **CLAIM**

We claim the ornamental design for the electronic key card encoder, as shown and described.

**DESCRIPTION**

FIG. 1 is a perspective view of the invention.  
FIG. 2 is a side view of the invention.  
FIG. 3 is a front view of the invention.  
FIG. 4 is a back view of the invention; and,  
FIG. 5 is a top view of the invention.  
The broken lines are shown for illustrative purposes only and form no part of the claimed design.

**1 Claim, 2 Drawing Sheets**



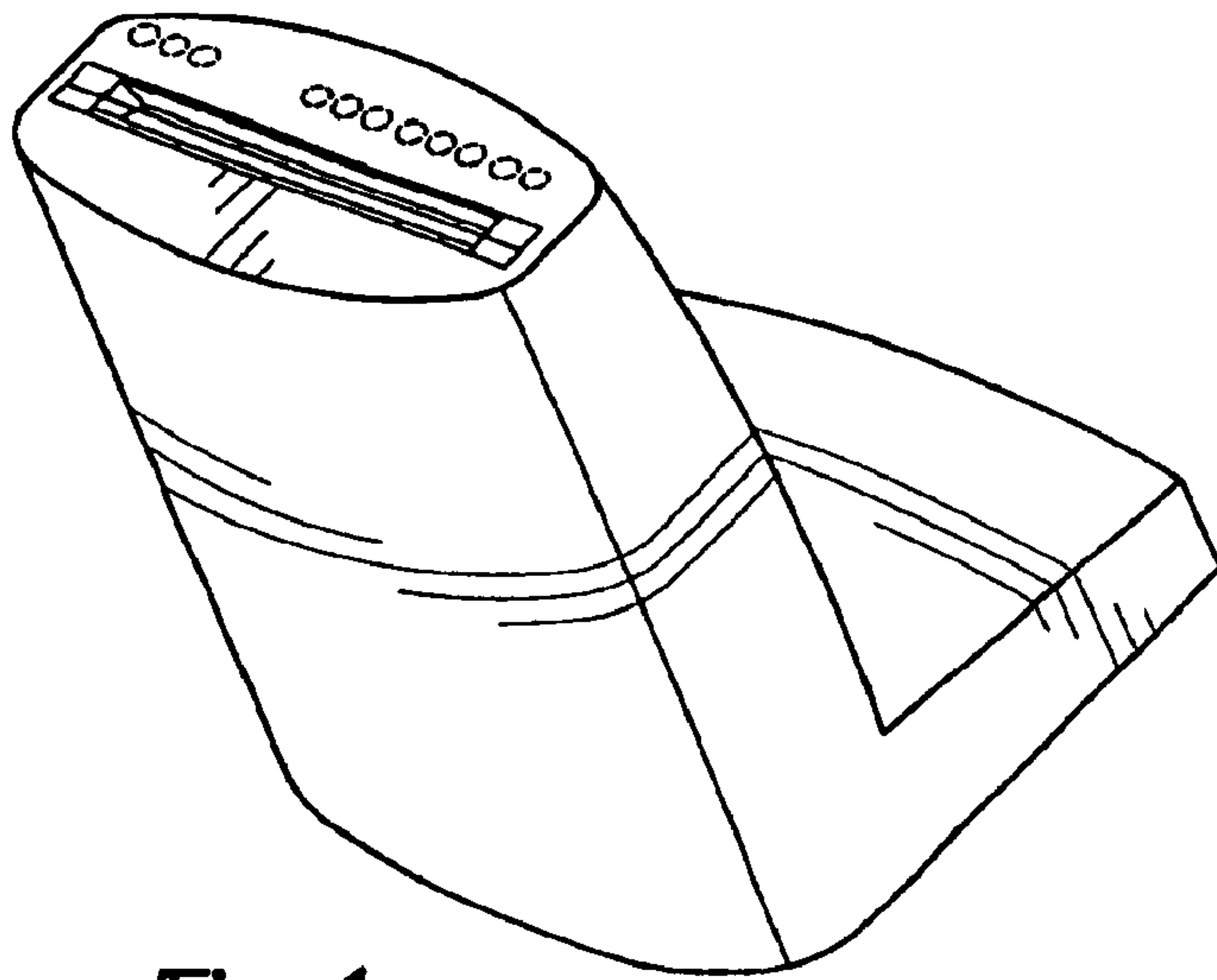


Fig-1

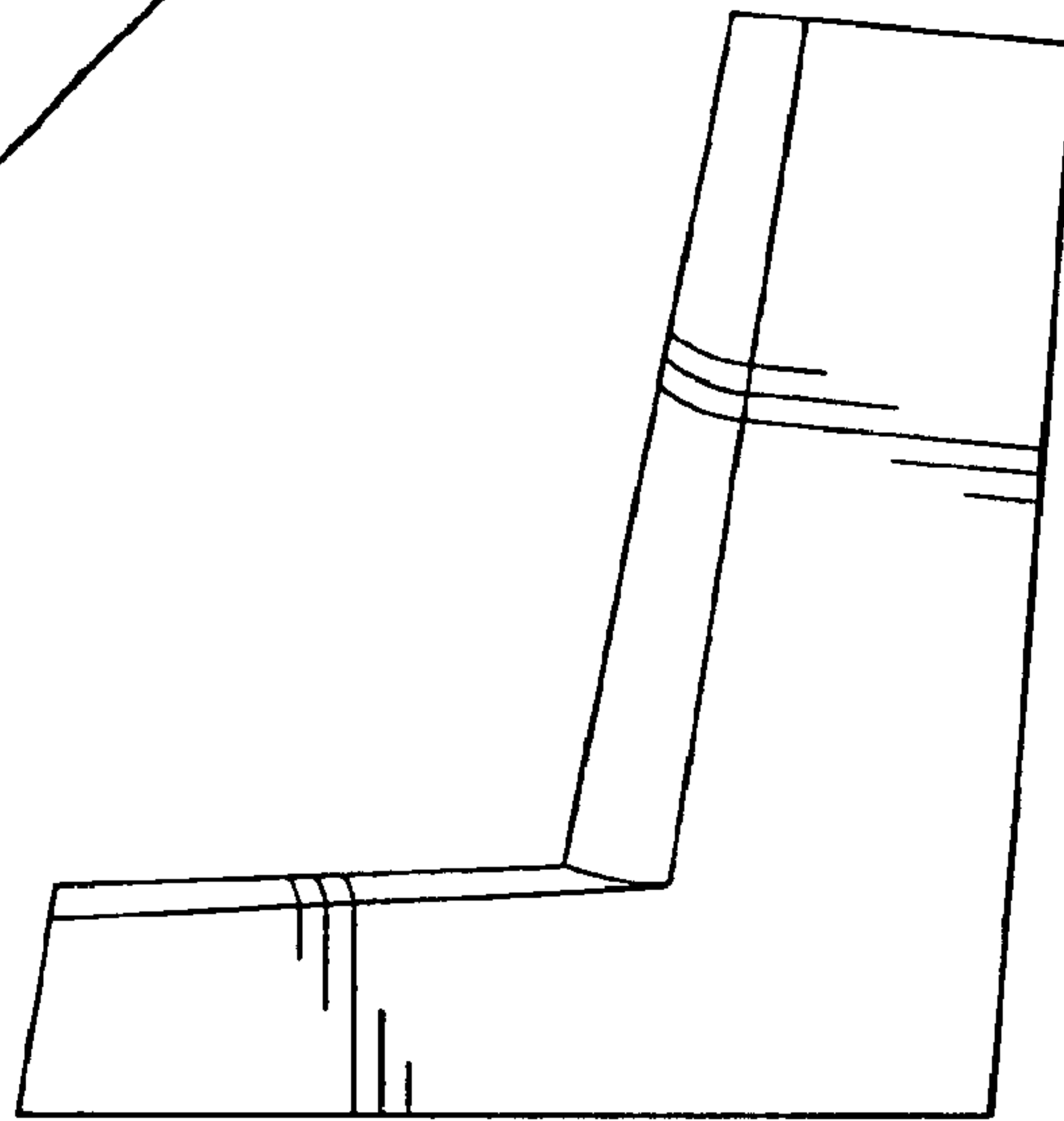


Fig-2

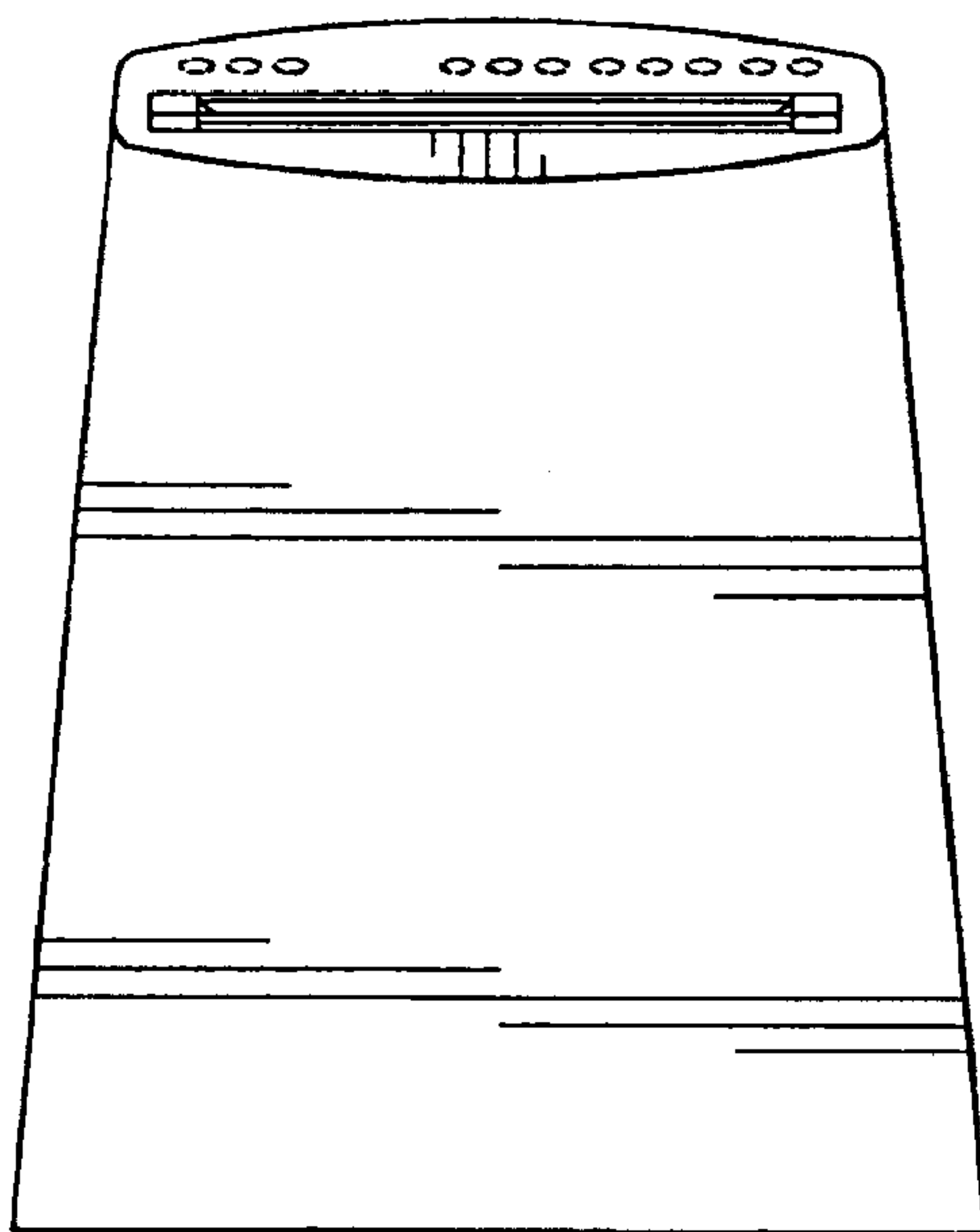


Fig-3

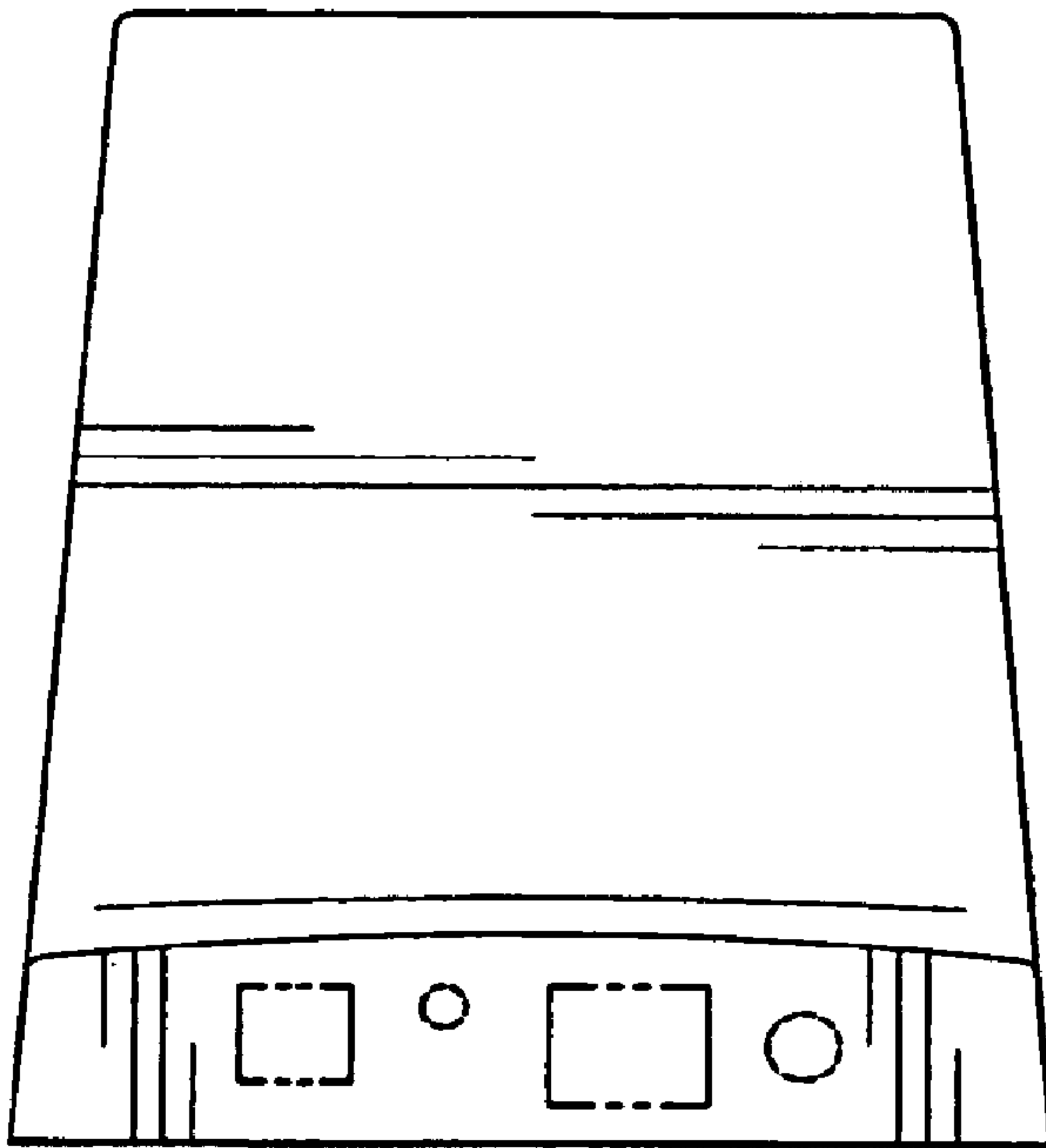


Fig-4

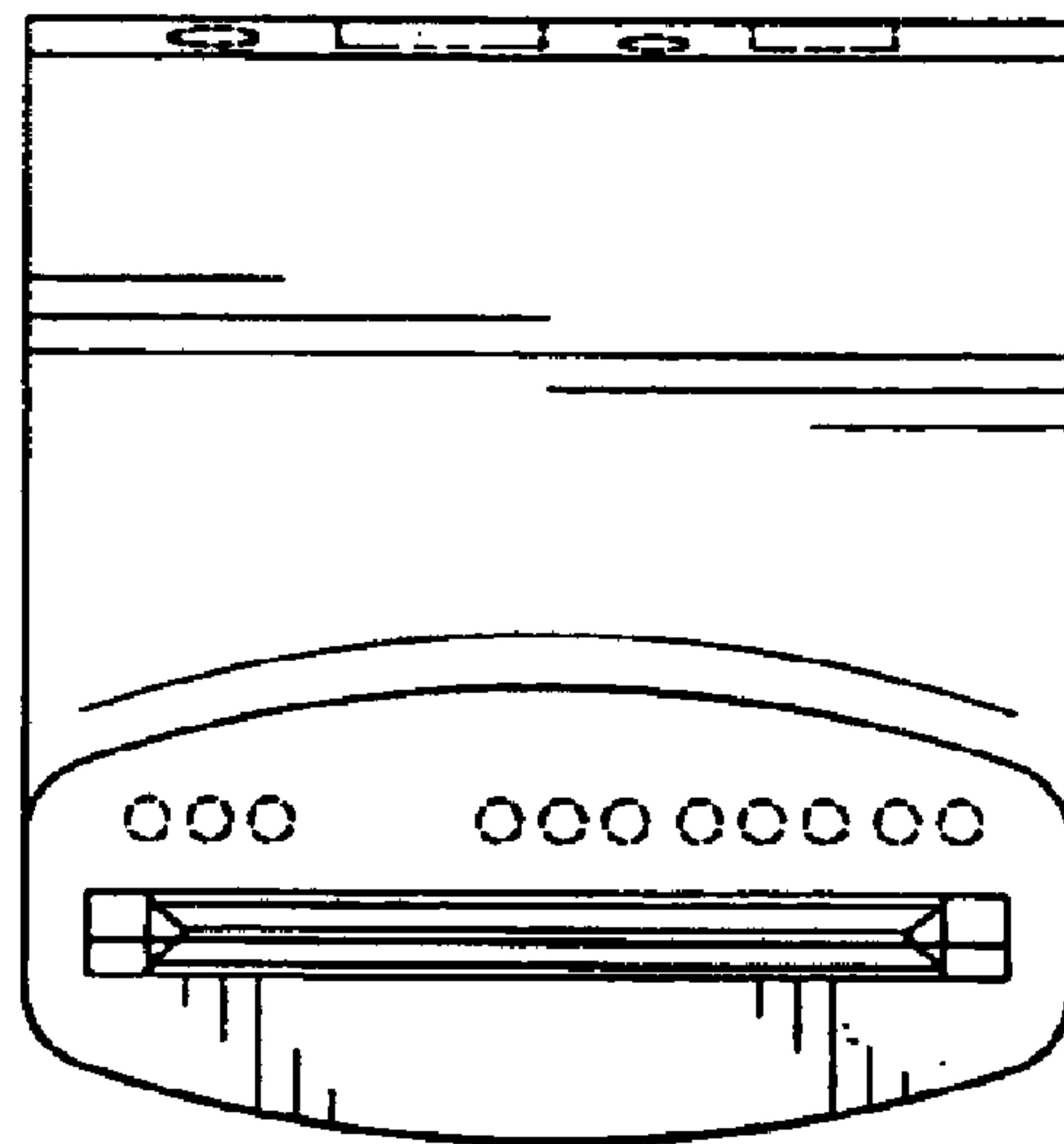


Fig-5