

US00D502181S

(12) **United States Design Patent**  
**Hong et al.**

(10) **Patent No.: US D502,181 S**  
(45) **Date of Patent: \*\* Feb. 22, 2005**

(54) **WIRELESS LAN CARD**

(75) Inventors: **Fu-Long Hong**, Taipei (TW); **Shu-Fen Ke**, Taipei (TW); **Yu-Mei Lin**, Keelung (TW)

(73) Assignee: **BenQ Corporation**, Taoyuan Shien (TW)

(\*\*) Term: **14 Years**

(21) Appl. No.: **29/189,785**

(22) Filed: **Sep. 10, 2003**

(30) **Foreign Application Priority Data**

Mar. 14, 2003 (TW) ..... 92301486

(51) **LOC (7) Cl.** ..... **14-02**

(52) **U.S. Cl.** ..... **D14/436**

(58) **Field of Search** ..... D13/182, 184;  
D14/432-8, 242, 240; 361/736-7, 724-8;  
379/433.09, 440; 455/557-8

(56) **References Cited**

**U.S. PATENT DOCUMENTS**

- D378,085 S \* 2/1997 Kerklaan et al. .... D14/436
- D413,879 S \* 9/1999 Wu ..... D14/436
- D415,479 S \* 10/1999 Yang et al. .... D14/436
- D431,035 S \* 9/2000 Lehtomaki ..... D14/242

- D450,708 S \* 11/2001 Hsu ..... D14/435
- D458,267 S \* 6/2002 Goto ..... D14/436
- D475,701 S \* 6/2003 Kasuya et al. .... D14/242
- D478,087 S \* 8/2003 Aldridge ..... D14/433
- D485,561 S \* 1/2004 Hong et al. .... D14/436
- D486,482 S \* 2/2004 Huang ..... D14/242
- D488,464 S \* 4/2004 Lin et al. .... D14/242
- D488,476 S \* 4/2004 Yu et al. .... D14/436
- D491,951 S \* 6/2004 Yu et al. .... D14/436

\* cited by examiner

*Primary Examiner*—M. H. Tung

(74) *Attorney, Agent, or Firm*—Thomas, Kayden, Horstemeyer & Risley

(57) **CLAIM**

The ornamental design for a wireless LAN card, as shown and described.

**DESCRIPTION**

FIG. 1 is a perspective view of a wireless LAN card showing our new design;

FIG. 2 is a front elevational view thereof;

FIG. 3 is a left side elevational view thereof;

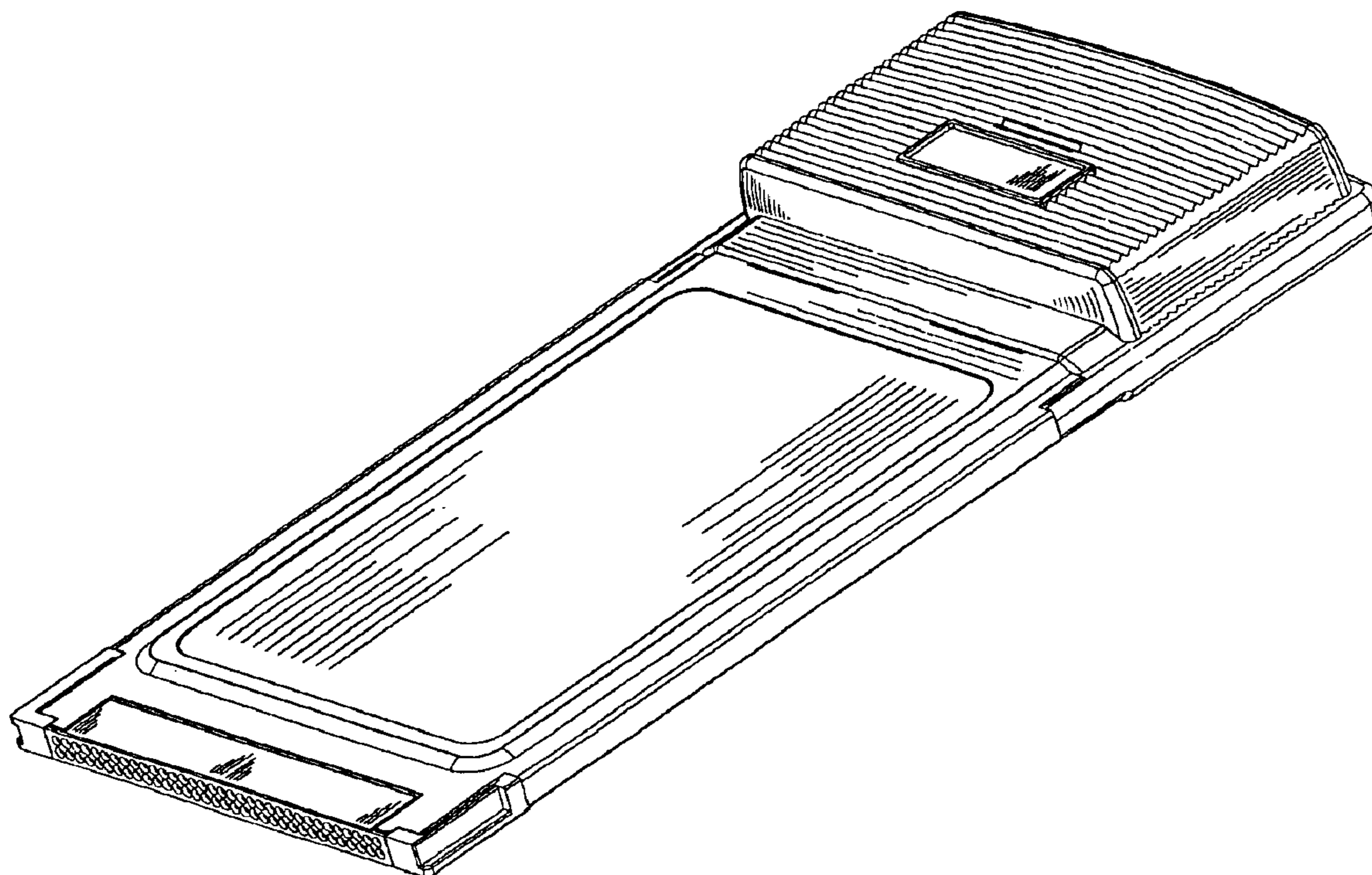
FIG. 4 is a right side elevational view thereof;

FIG. 5 is a top plan view thereof;

FIG. 6 is a bottom plan view thereof; and,

FIG. 7 is a rear elevational view thereof.

**1 Claim, 7 Drawing Sheets**



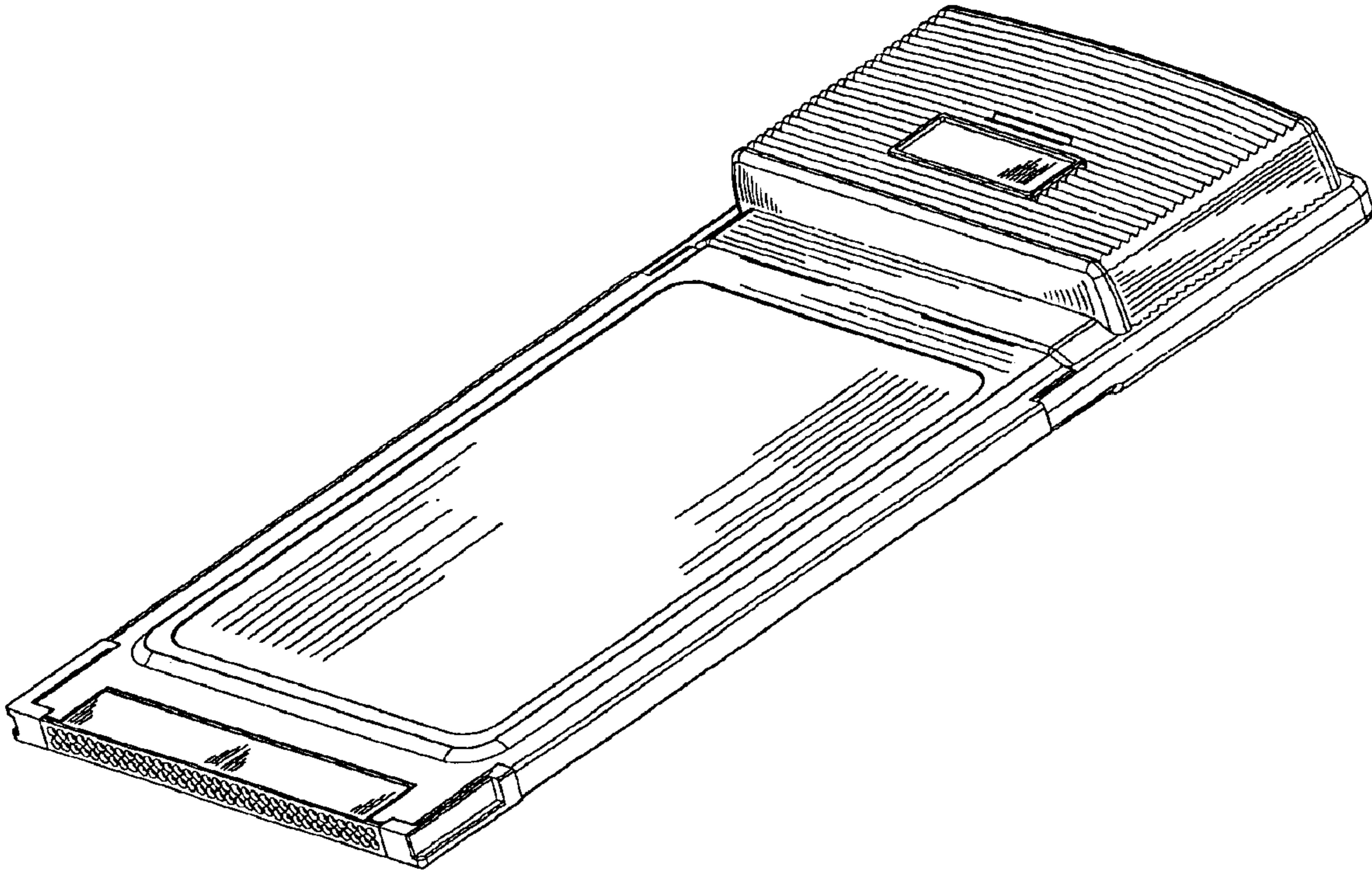


FIG. 1

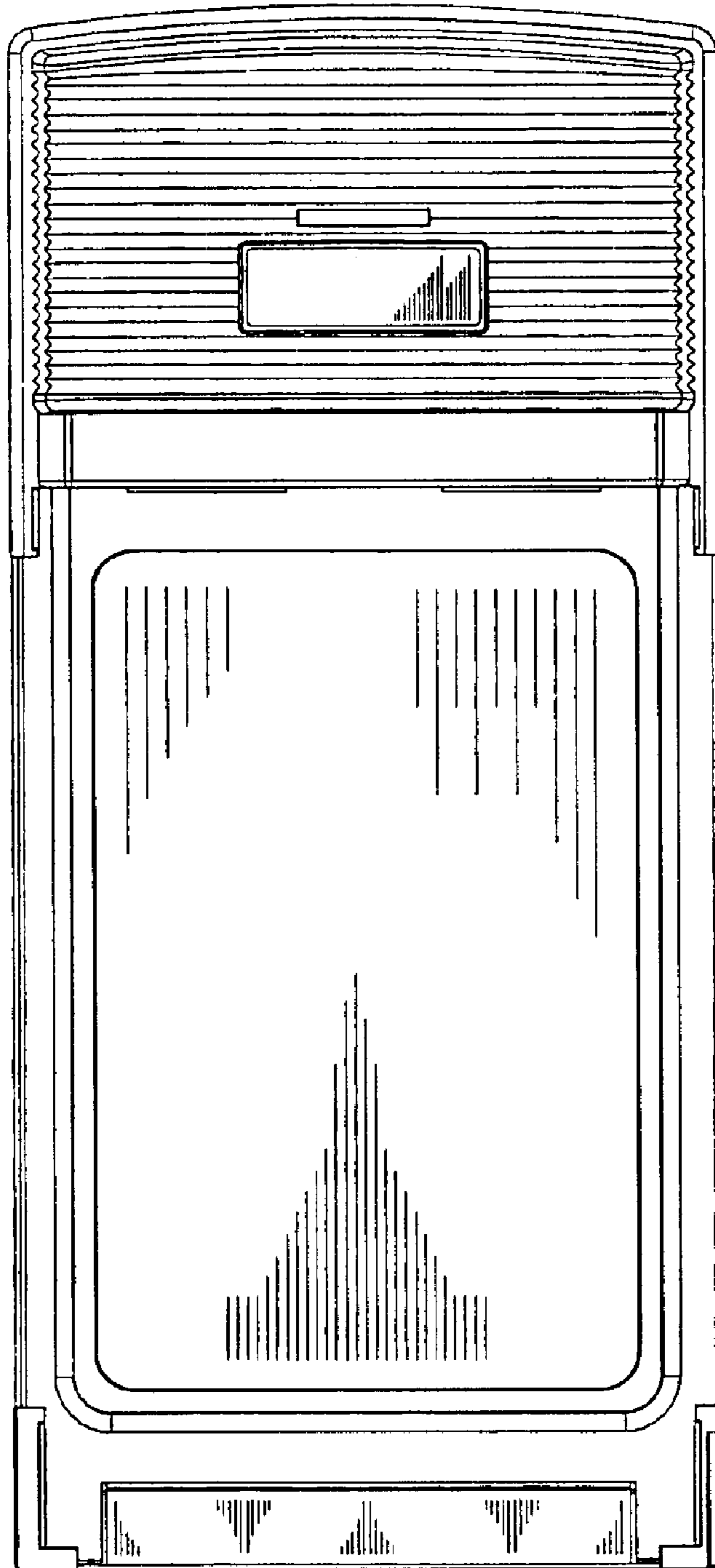


FIG. 2



FIG. 3

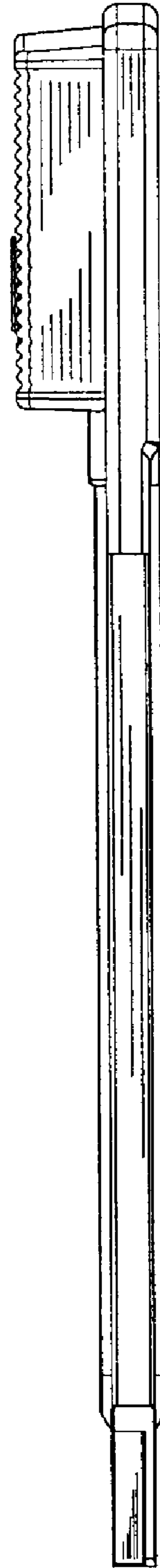


FIG. 4

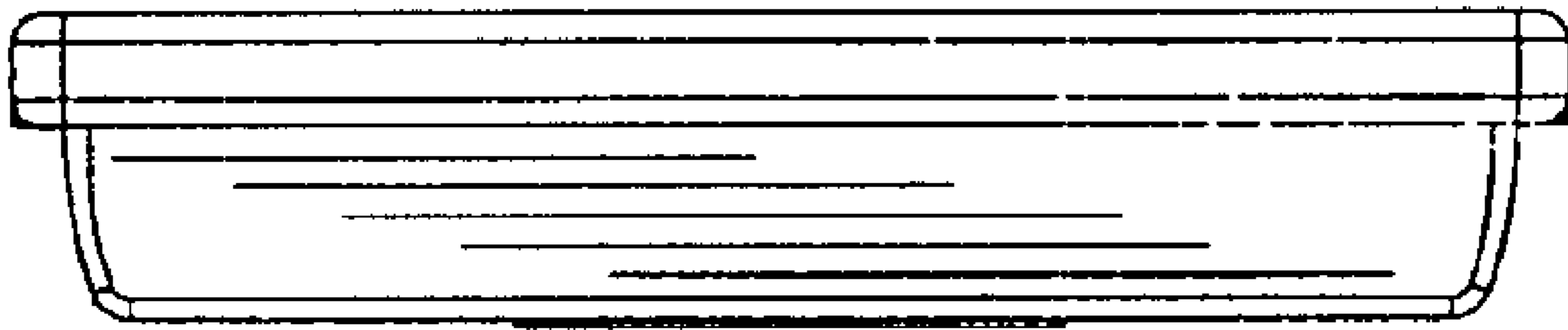


FIG. 5

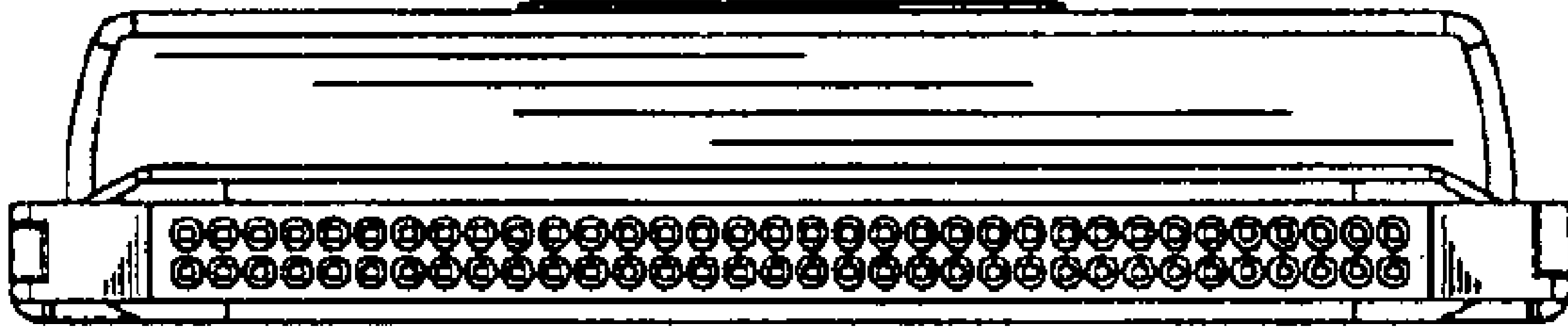


FIG. 6



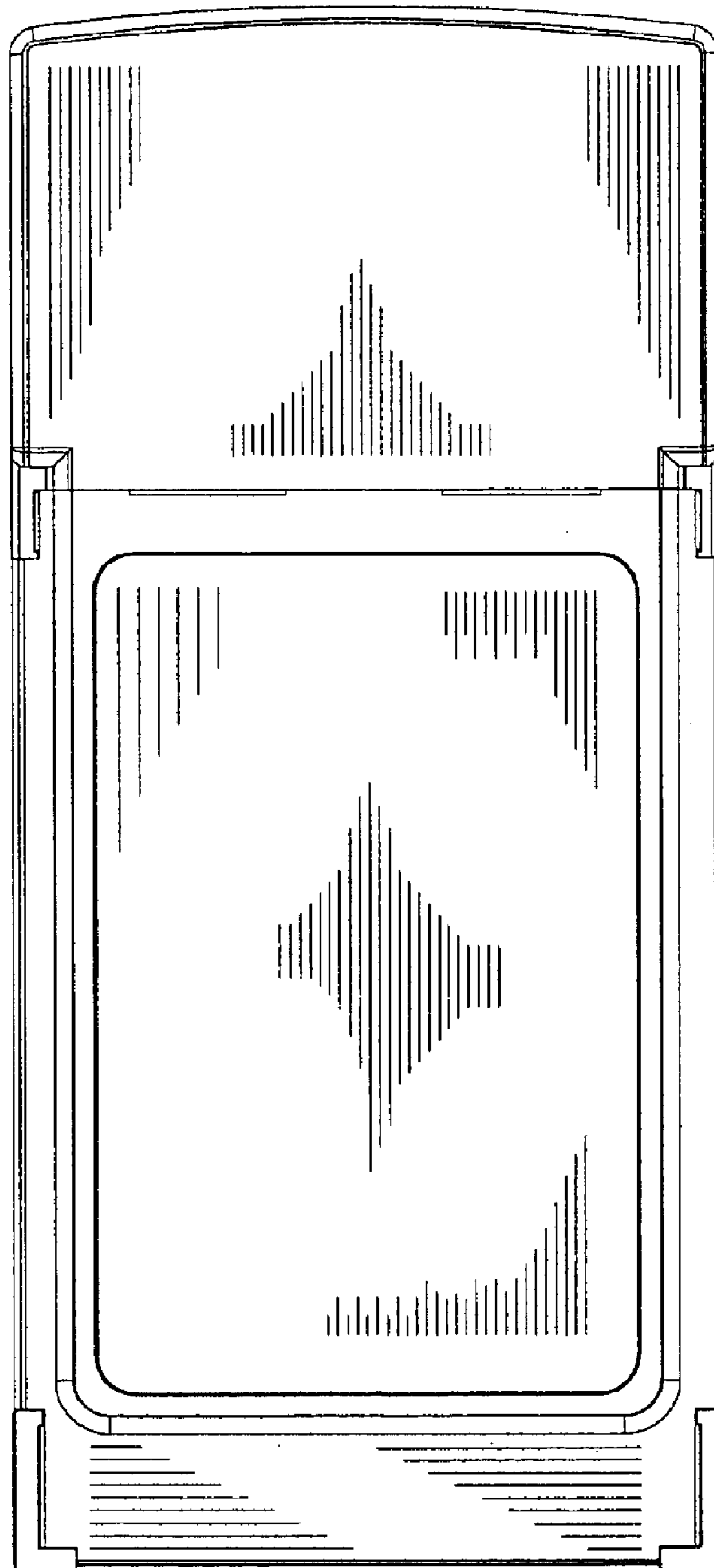


FIG. 7