

US00D502170S

(12) **United States Design Patent**  
**Lum**

(10) **Patent No.:** **US D502,170 S**

(45) **Date of Patent:** **\*\* Feb. 22, 2005**

(54) **PORTION OF AN AUDIO COMPONENT**

(75) **Inventor:** **Myk Wayne Lum**, Irvine, CA (US)

(73) **Assignee:** **Harman International Industries, Incorporated**, Northridge, CA (US)

(\*\*) **Term:** **14 Years**

(21) **Appl. No.:** **29/193,059**

(22) **Filed:** **Nov. 4, 2003**

(51) **LOC (7) Cl.** ..... **14-99**

(52) **U.S. Cl.** ..... **D14/217; D14/265; D14/496**

(58) **Field of Search** ..... **D14/188, 189, D14/168, 217, 299, 230, 265; 455/344-351, 899; 381/119, 120, 124, 86**

(56) **References Cited**

**U.S. PATENT DOCUMENTS**

D427,178 S	*	6/2000	Cory et al.	.....	D14/217
D465,474 S		11/2002	Lum		
D466,107 S		11/2002	Lum		
D474,762 S	*	5/2003	Moberg et al.	.....	D14/217
D475,696 S	*	6/2003	Hussaini et al.	.....	D14/217
D477,586 S	*	7/2003	Sogabe	.....	D14/188
D480,071 S	*	9/2003	Lum	.....	D14/217

\* cited by examiner

*Primary Examiner*—Prabhakar Deshmukh

(74) *Attorney, Agent, or Firm*—Plumsea Law Group, LLC

(57) **CLAIM**

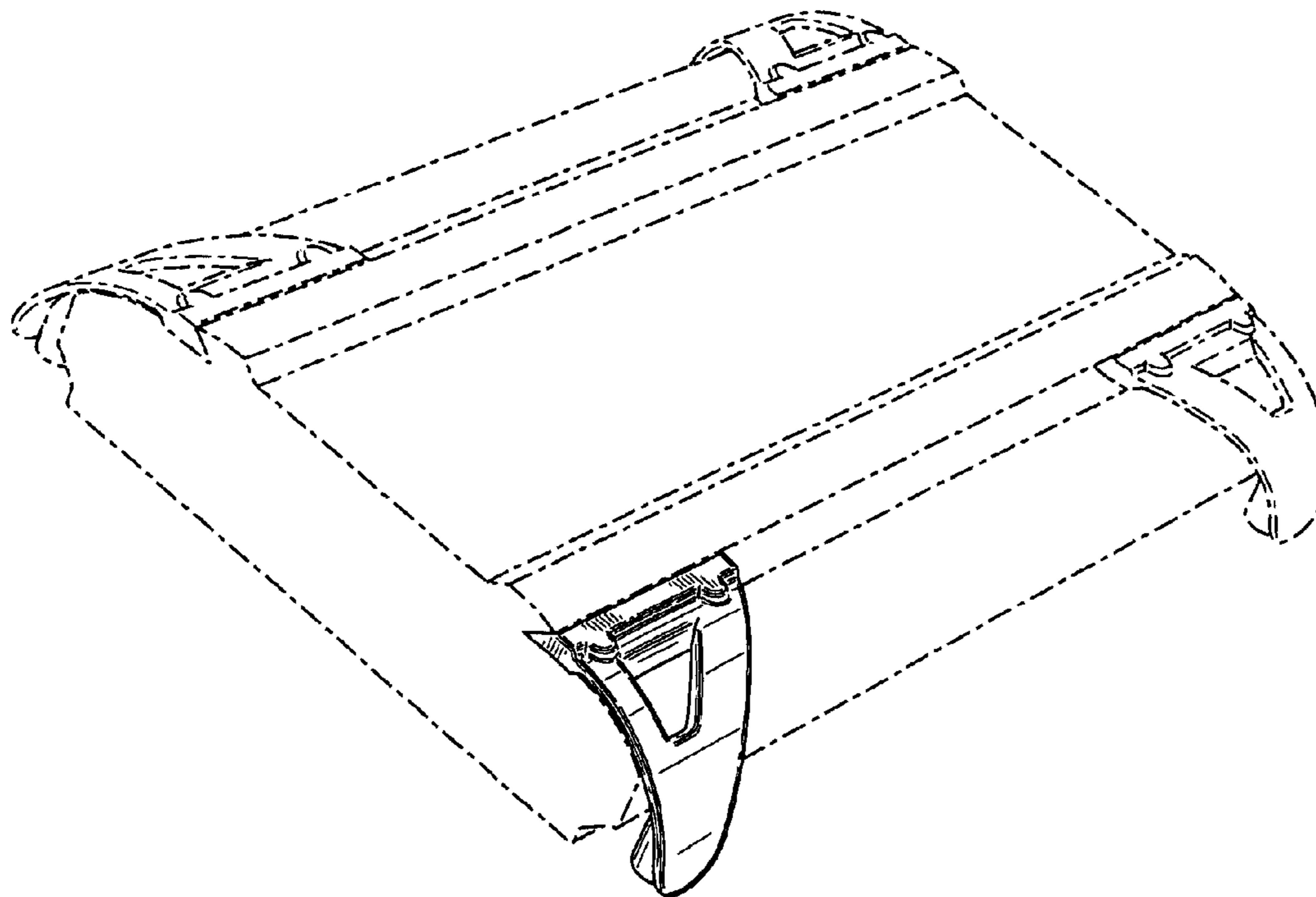
The ornamental design for a portion of an audio component, as shown and described.

**DESCRIPTION**

FIG. 1 is a perspective view of a portion of an audio component showing my new design;  
 FIG. 2 is a top plan view thereof;  
 FIG. 3 is an elevational view thereof;  
 FIG. 4 is an end elevational view thereof;  
 FIG. 5 is a top plan view of a mirror image version of the portion of an audio component shown in FIG. 2;  
 FIG. 6 is a top plan view of the portion of an audio component as shown in FIG. 2, but shown in a different orientation on the audio component; and,  
 FIG. 7 is a top plan view of a mirror image version as shown in FIG. 5, but shown in a different orientation on the audio component.

The broken line showing of the remainder of the audio component in all of the figures is for illustrative purposes only and forms no part of the claimed invention.

**1 Claim, 6 Drawing Sheets**



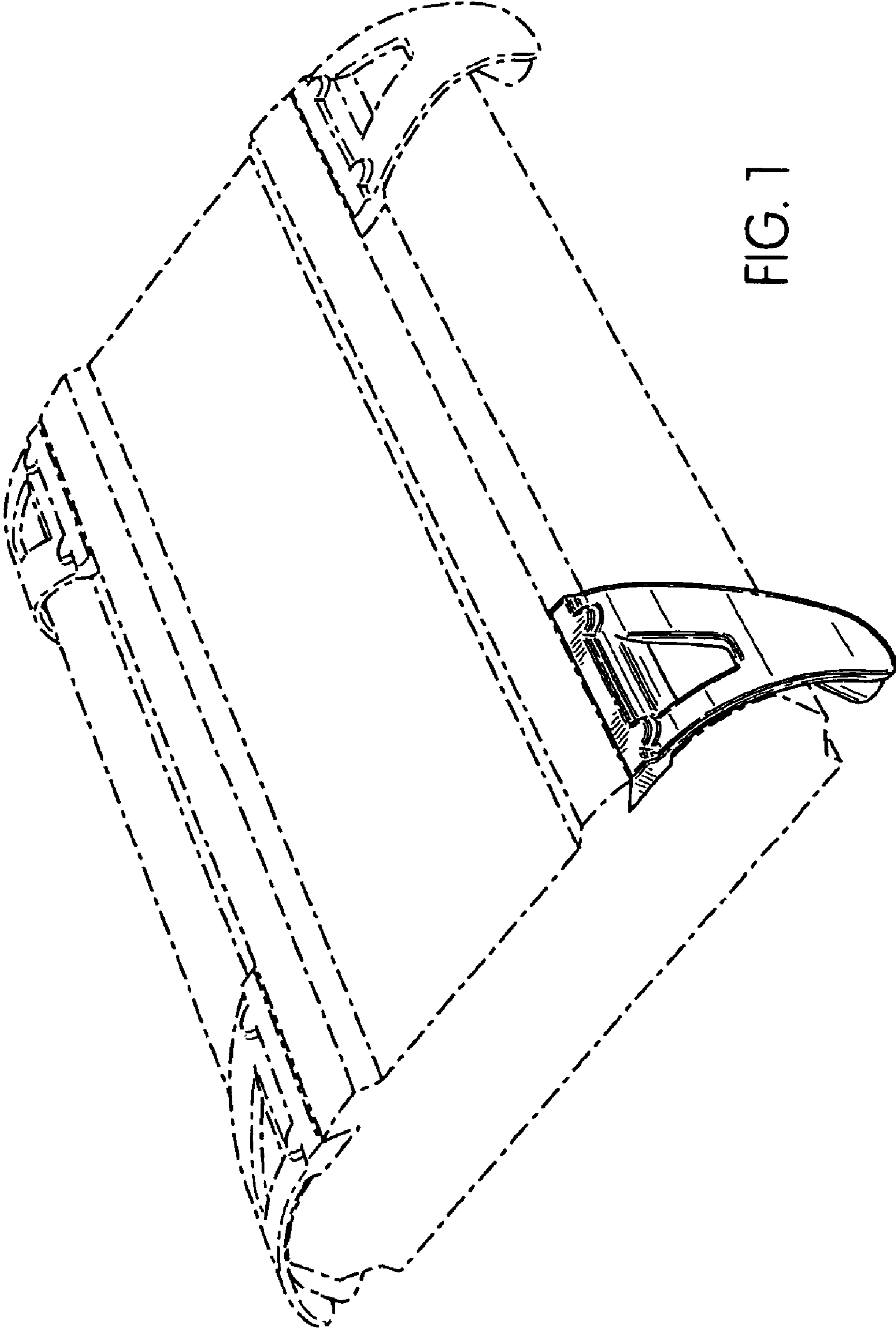


FIG. 1

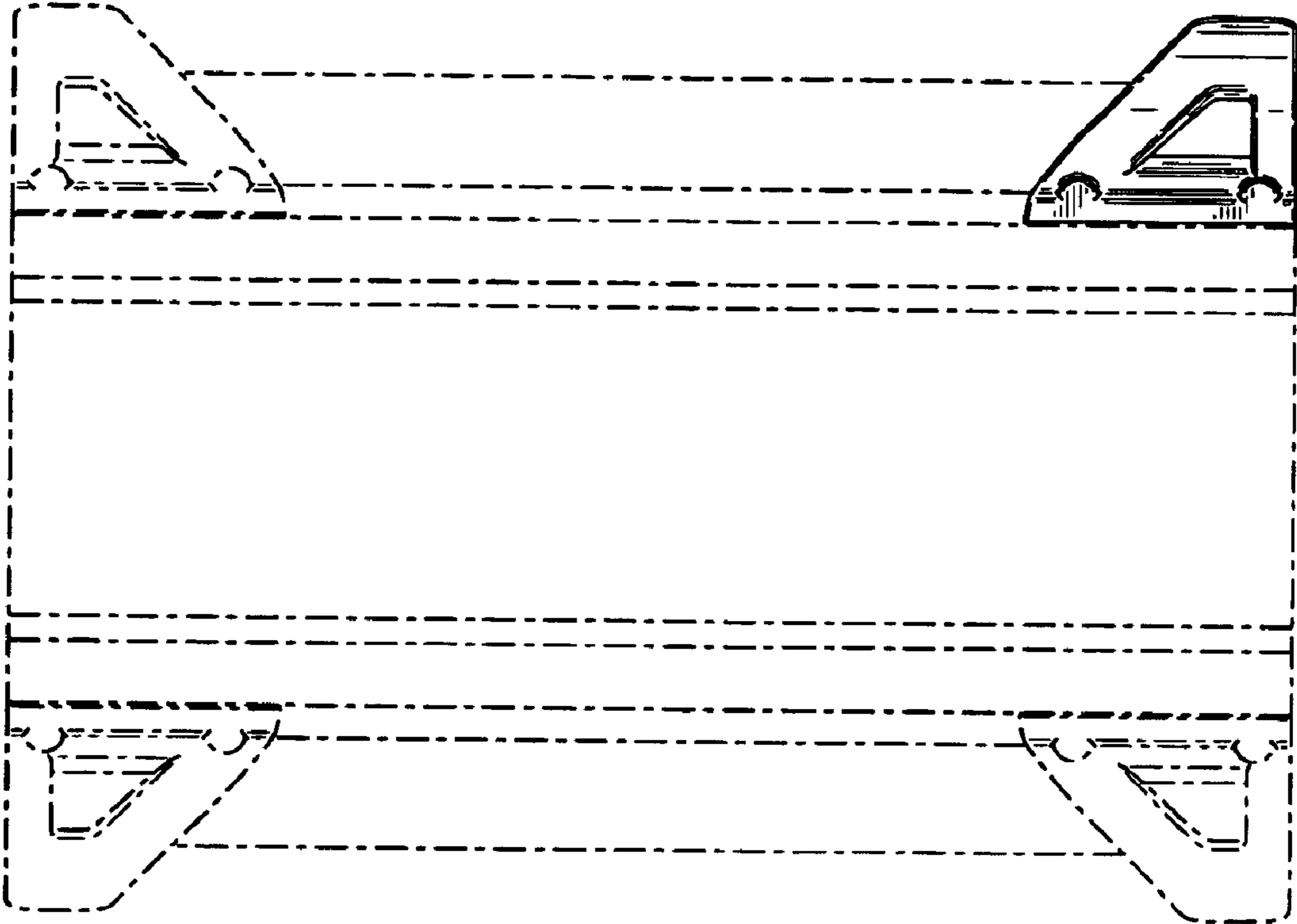


FIG. 2

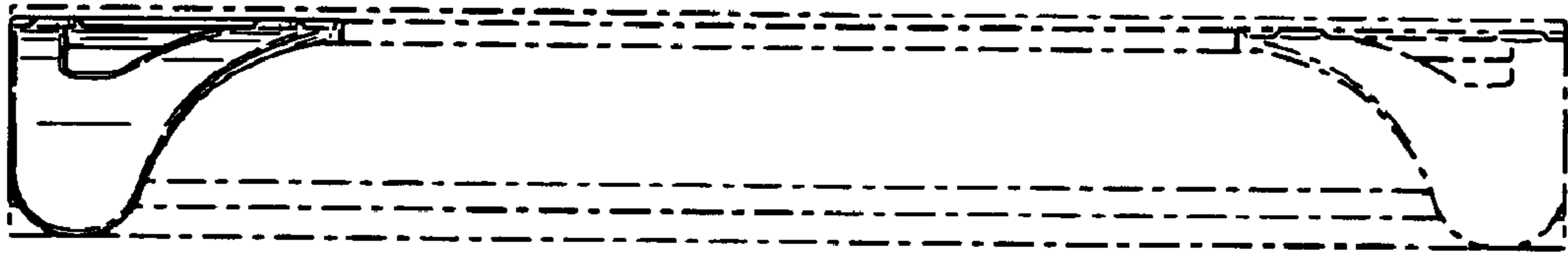


FIG. 3

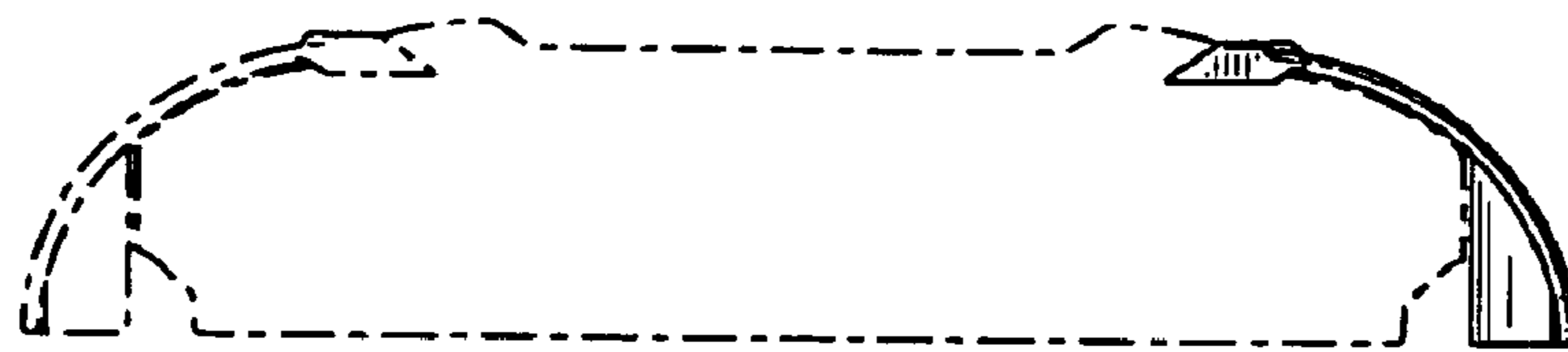


FIG. 4

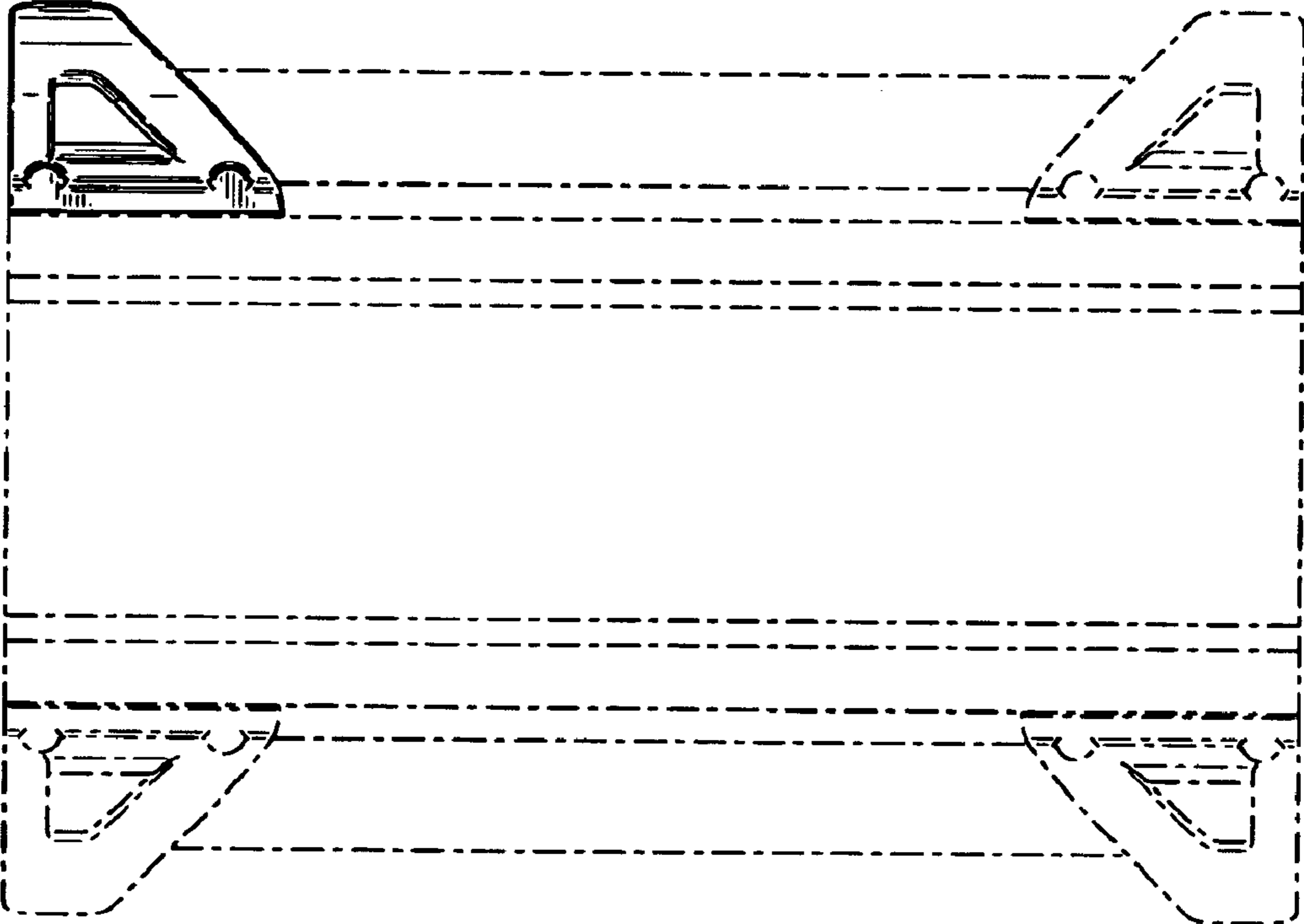


FIG. 5

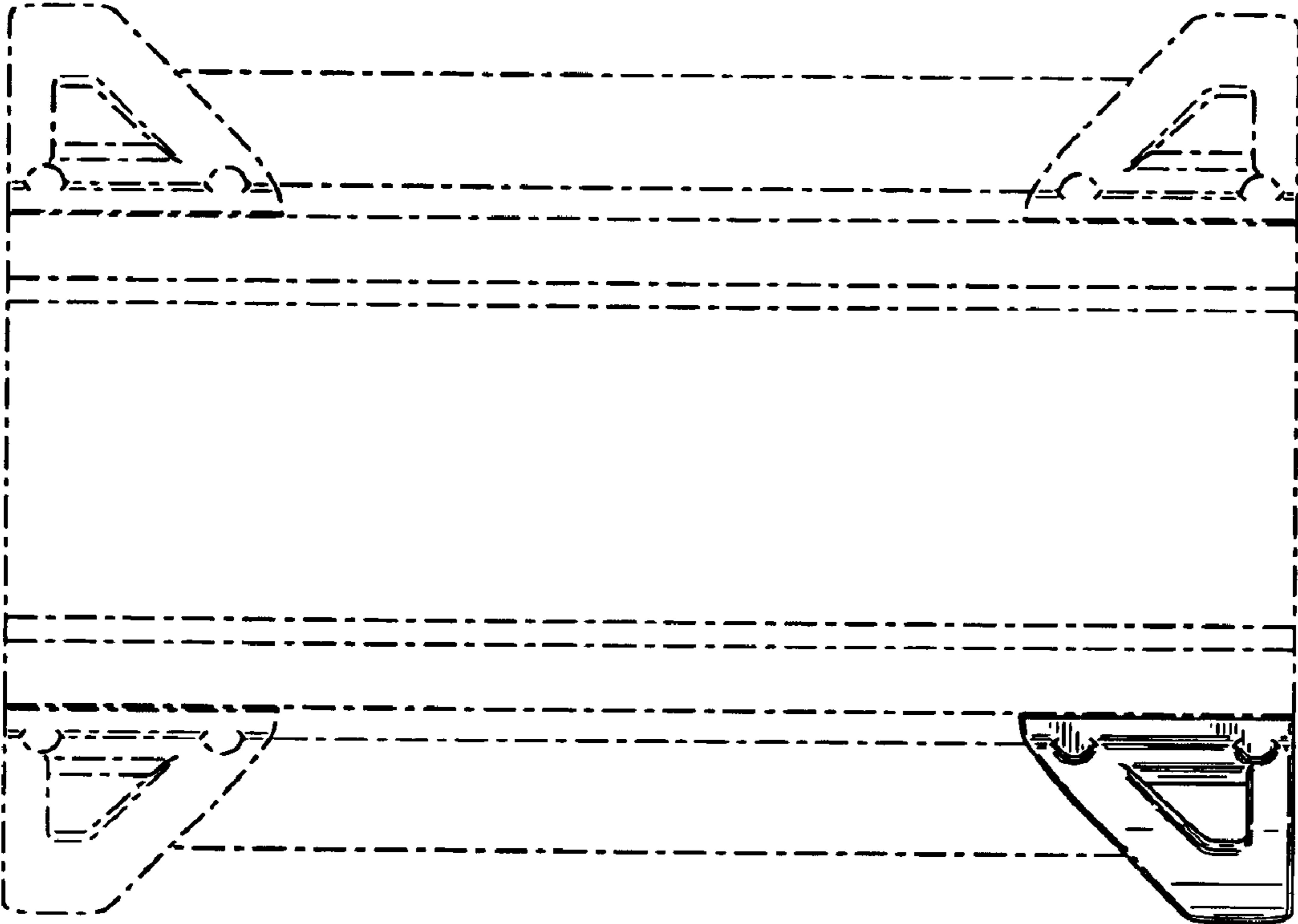


FIG. 6

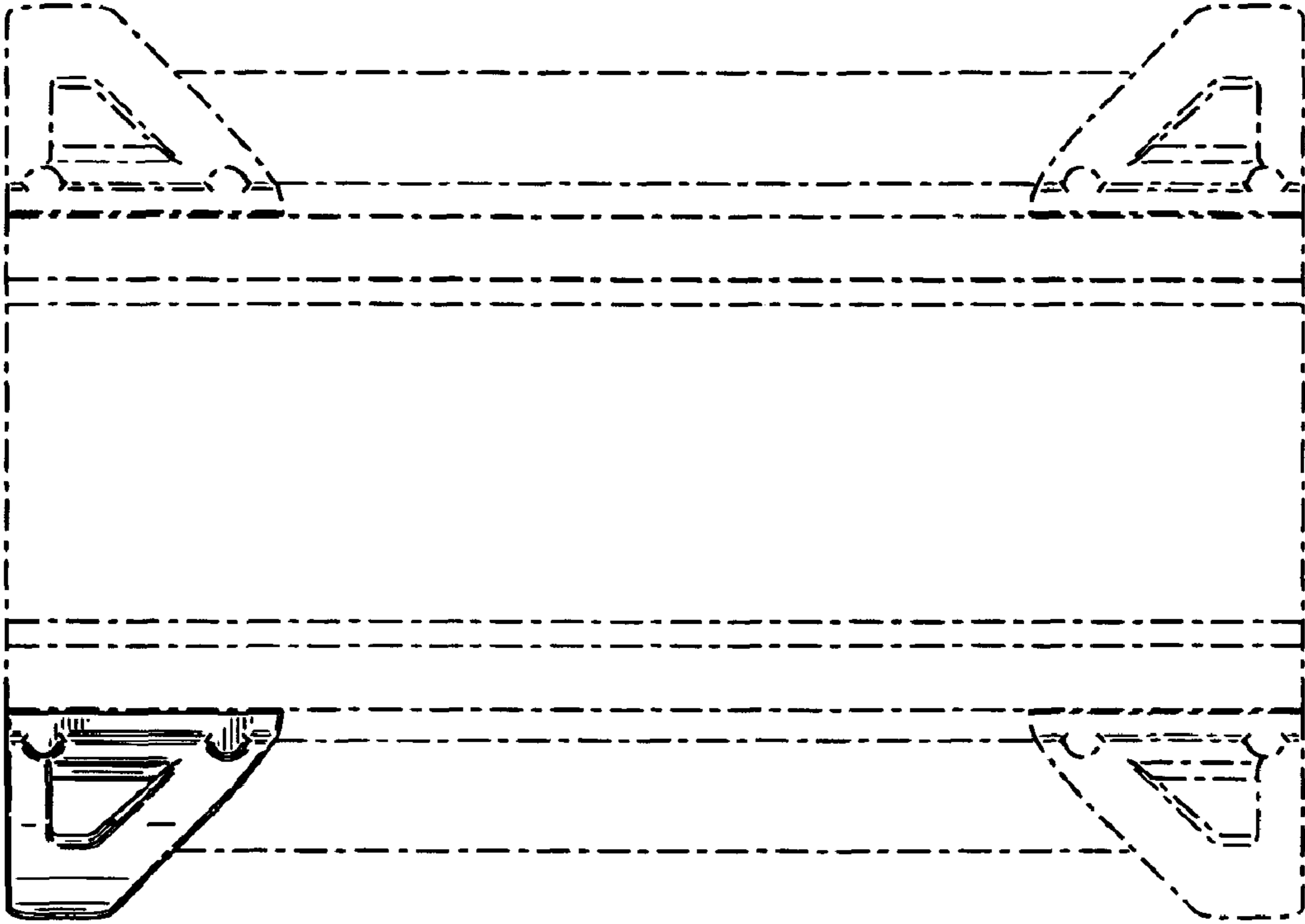


FIG. 7