

US00D502169S

(12) **United States Design Patent**
Yang

(10) **Patent No.:** **US D502,169 S**

(45) **Date of Patent:** **** Feb. 22, 2005**

(54) **WOOFER**

(75) **Inventor:** **Kuei Jung Yang, Taoyuan Hsien (TW)**

(73) **Assignee:** **Enlight Corporation, Taoyuan Hsien (TW)**

(**) **Term:** **14 Years**

(21) **Appl. No.:** **29/185,584**

(22) **Filed:** **Jul. 1, 2003**

(51) **LOC (7) Cl.** **14-01**

(52) **U.S. Cl.** **D14/215; D14/216**

(58) **Field of Search** D14/204, 207,
D14/209-216, 356; 181/143-144, 147-148,
150, 157, 198-199, 151, 153; 381/300-302,
306, 333, 345, 361-364, 386-388, 332,
336

(56) **References Cited**

U.S. PATENT DOCUMENTS

D290,953 S * 7/1987 Sklaar et al. D14/211
D399,510 S * 10/1998 Renk D14/216

D405,086 S * 2/1999 Goto D14/214
D461,792 S * 8/2002 Silverstein et al. D14/214
D467,576 S * 12/2002 Solland D14/216
D476,310 S * 6/2003 Hisatsune D14/211
D482,344 S * 11/2003 Green D14/214

* cited by examiner

Primary Examiner—Nanda Bondade

(74) *Attorney, Agent, or Firm*—Troxell Law Office PLLC

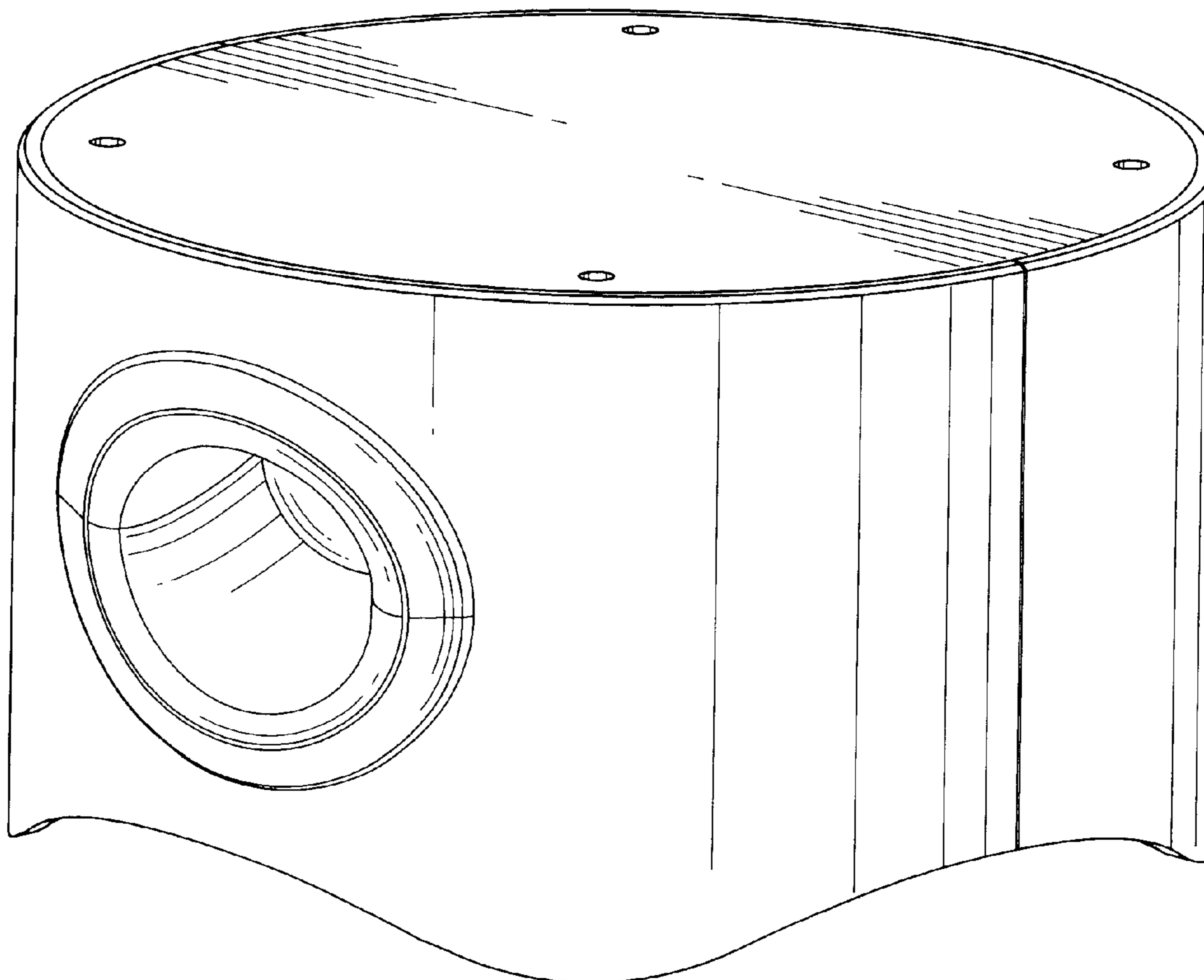
(57) **CLAIM**

The ornamental design for a woofer, as shown.

DESCRIPTION

FIG. 1 is a front perspective view of a woofer showing my new design;
FIG. 2 is a front elevational view thereof;
FIG. 3 is a rear elevational view thereof;
FIG. 4 is a left side elevational view thereof;
FIG. 5 is a right side elevational view thereof;
FIG. 6 is a top plan view thereof; and,
FIG. 7 is a bottom plan view thereof.

1 Claim, 5 Drawing Sheets



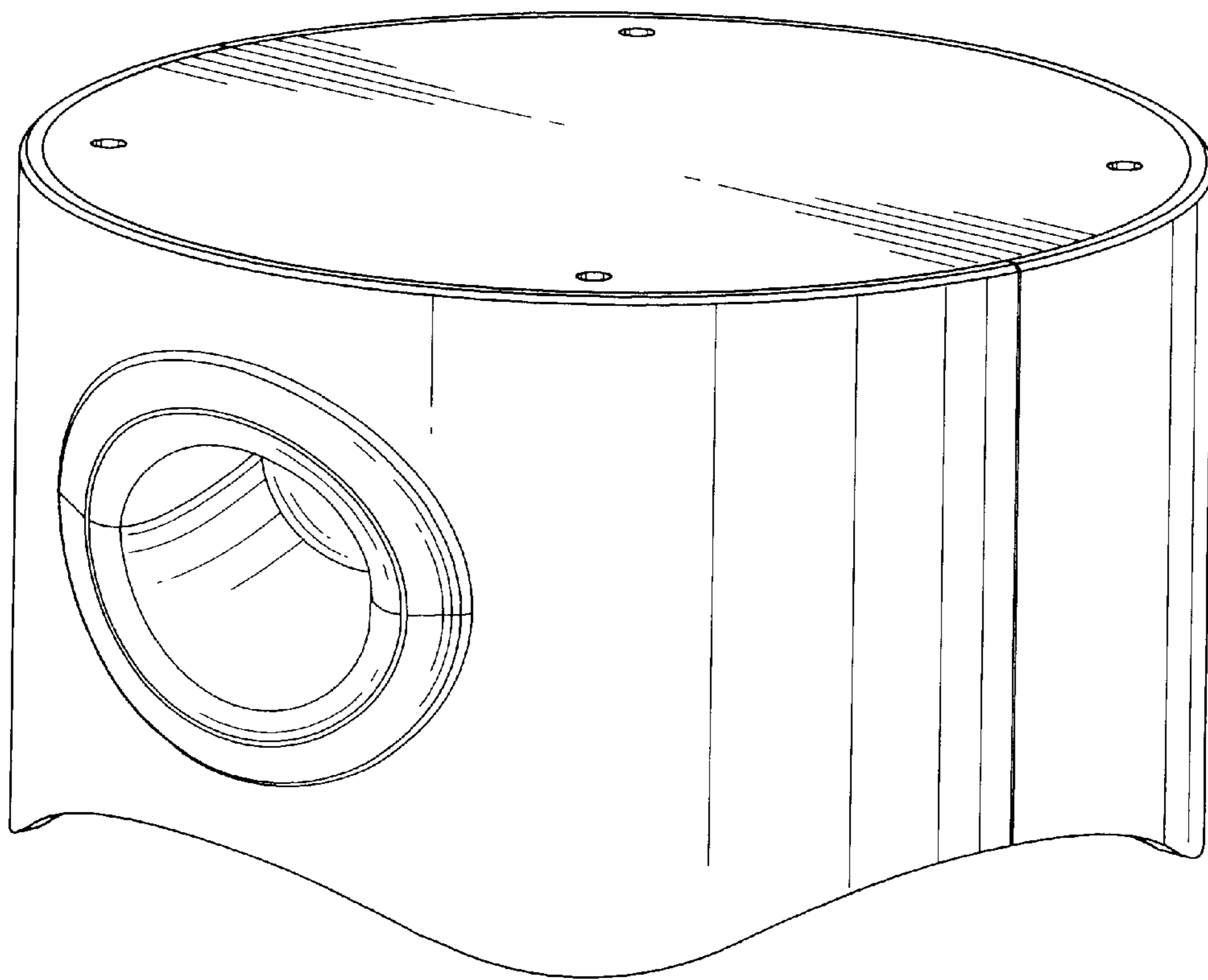


Fig. 1

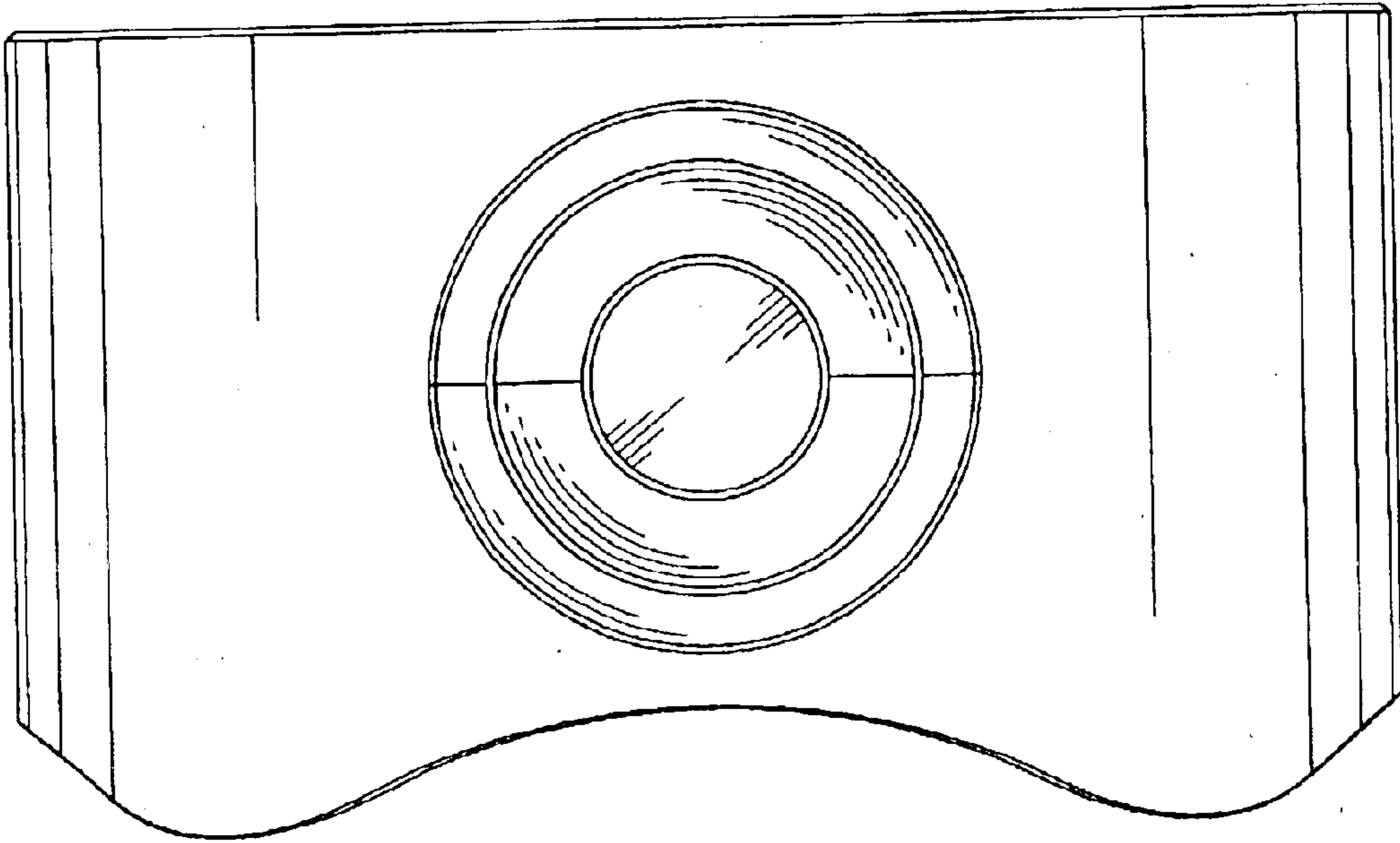


Fig. 2

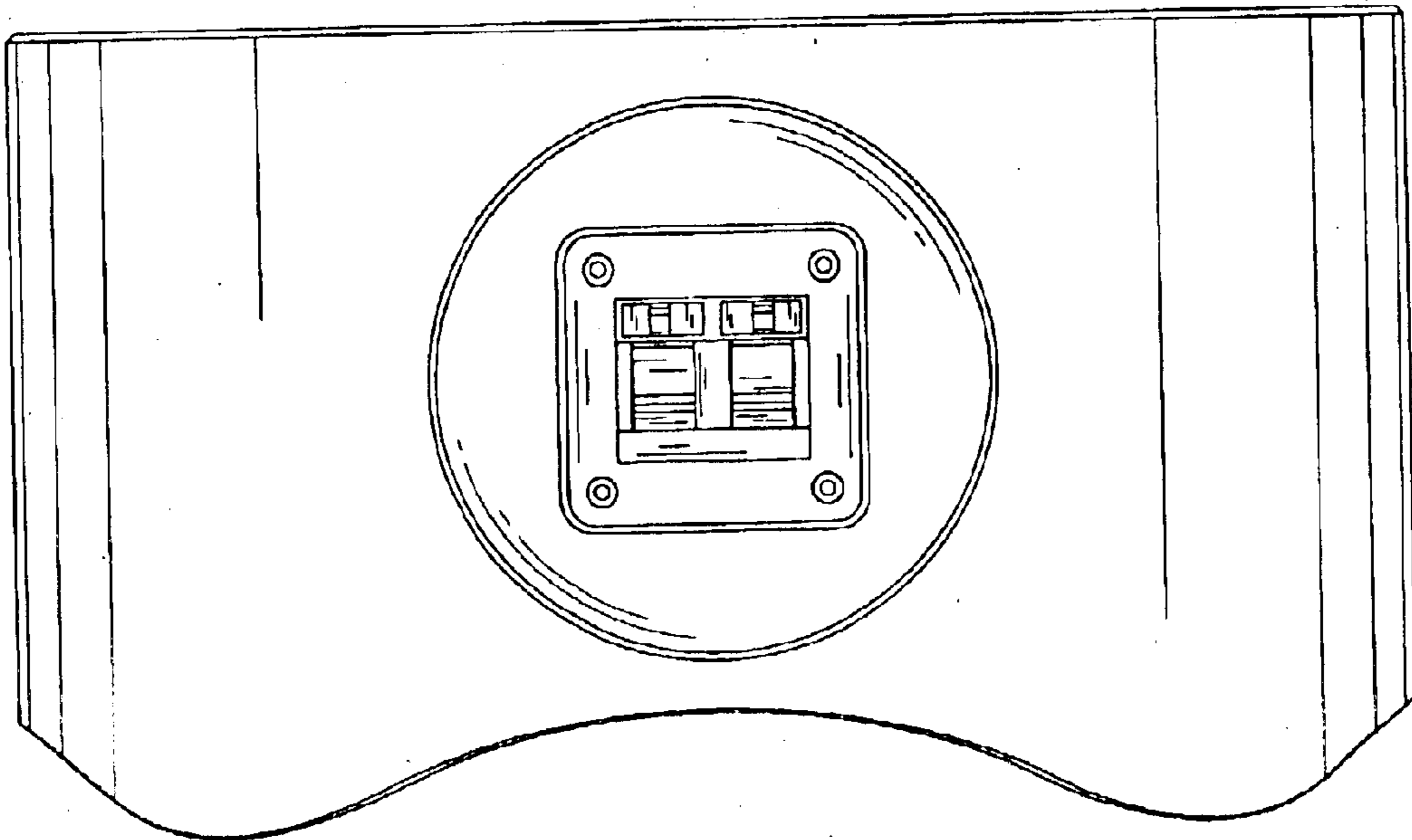


Fig. 3

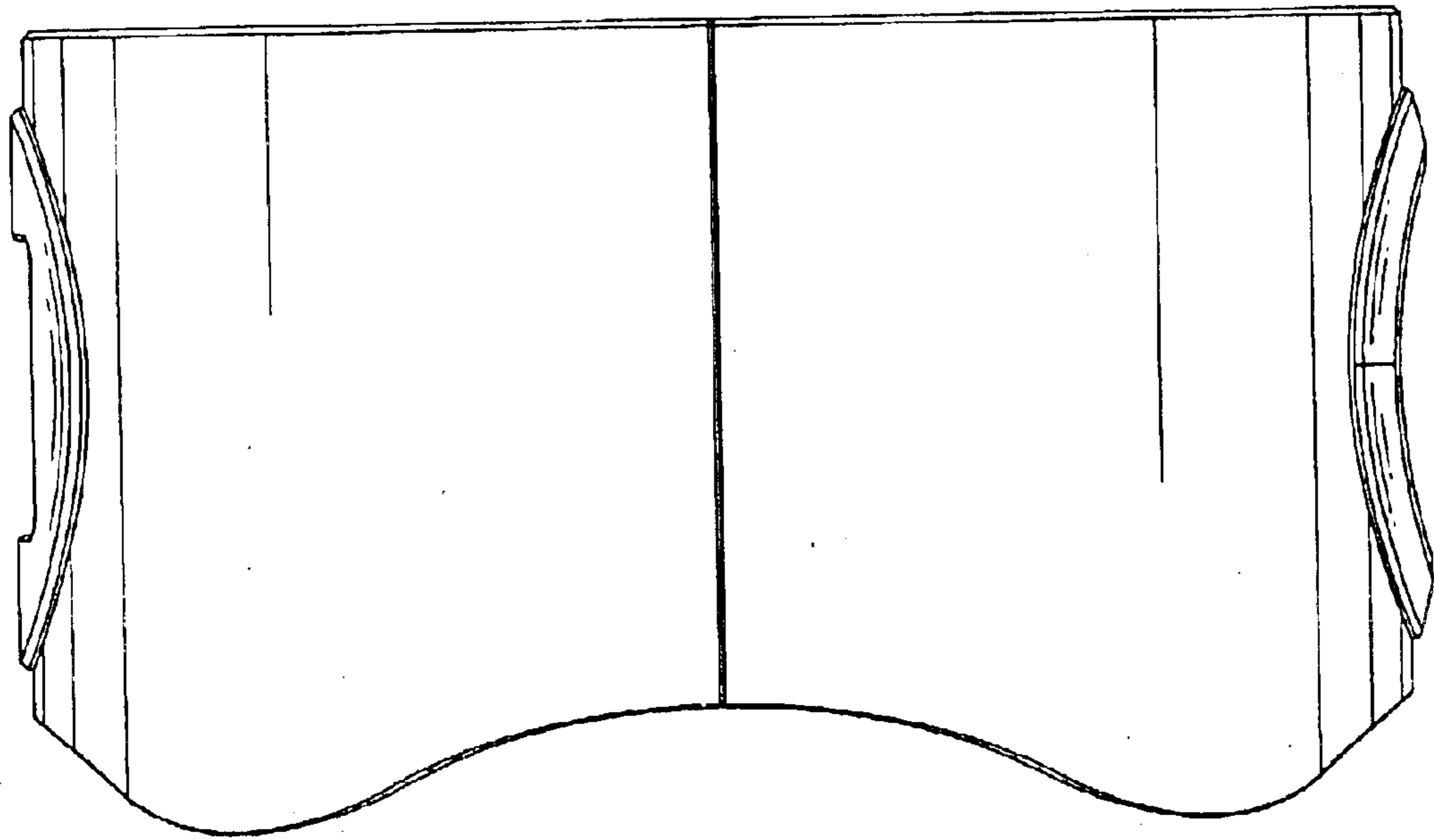


Fig. 4

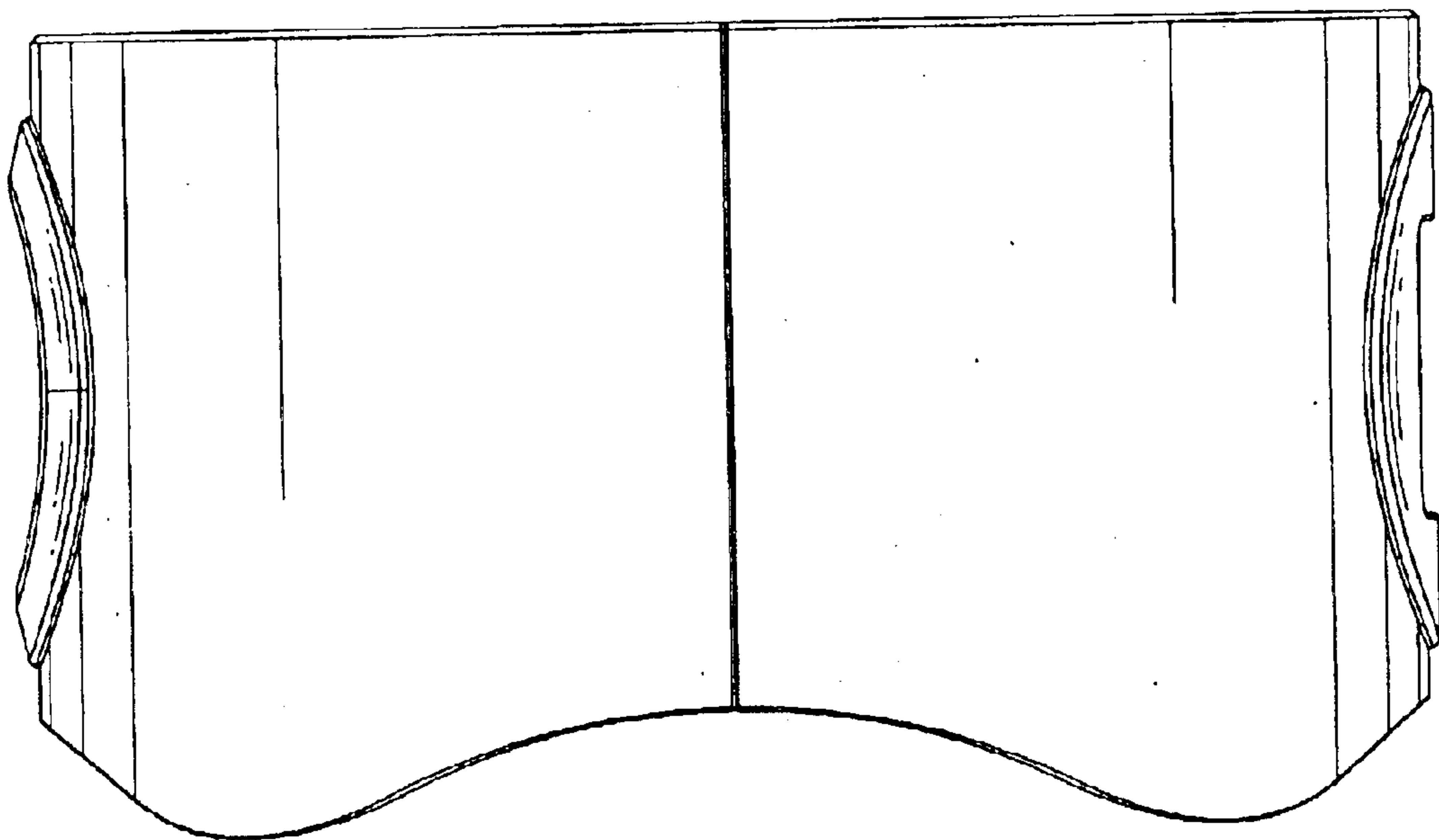


Fig. 5

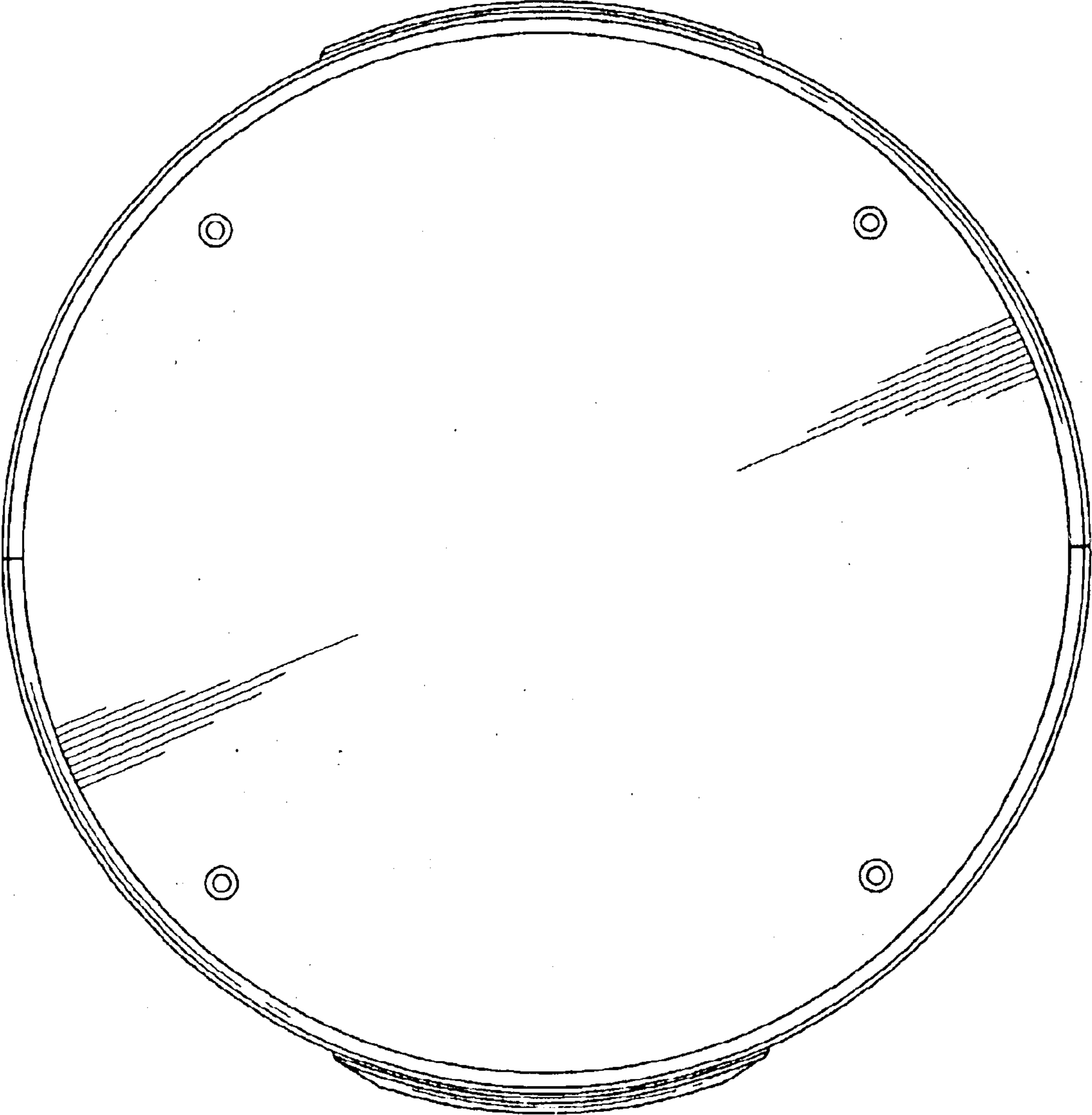


Fig. 6

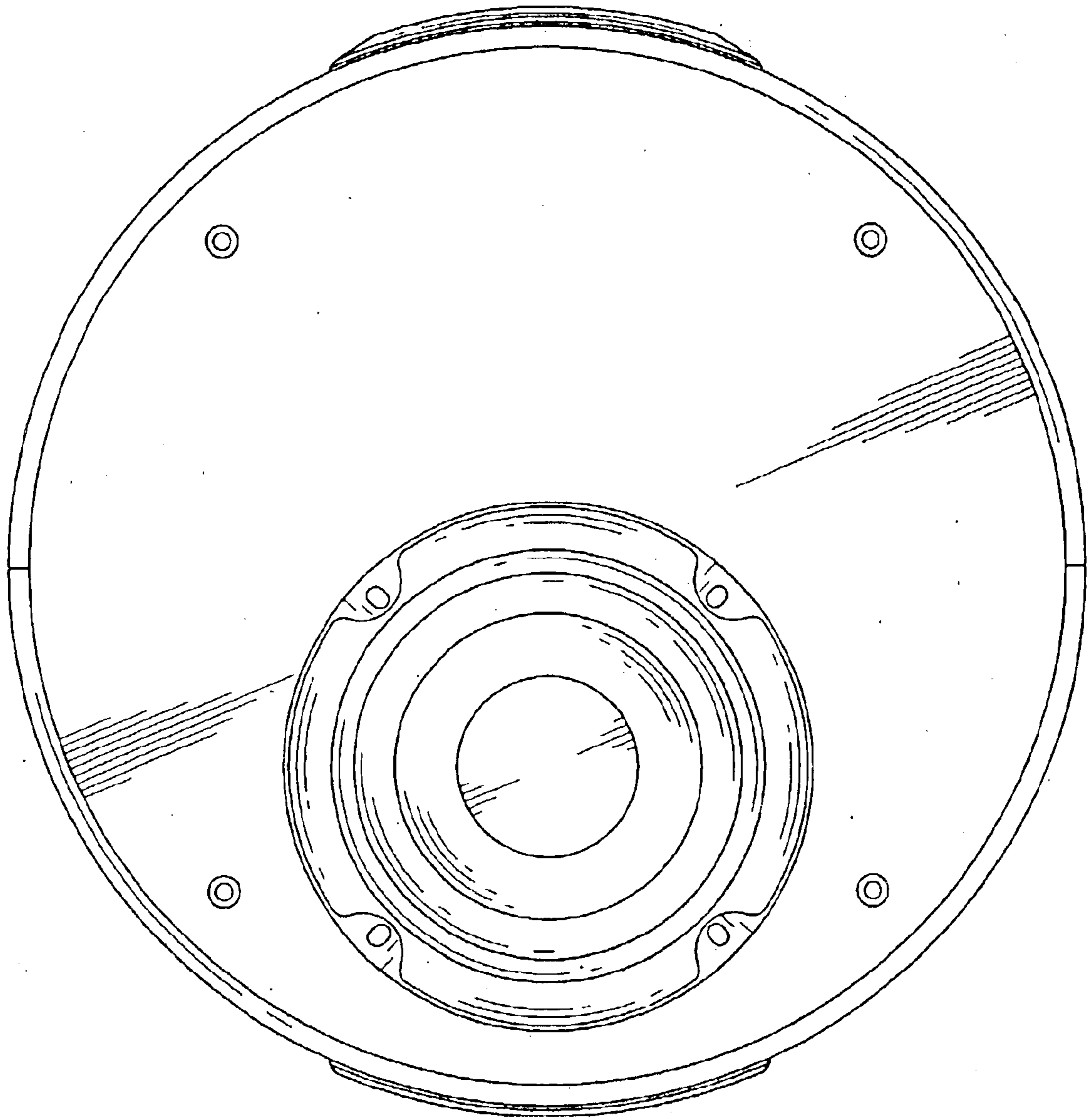


Fig. 7