

US00D502168S

(12) **United States Design Patent**  
**Hill**

(10) **Patent No.:** **US D502,168 S**

(45) **Date of Patent:** **\*\* Feb. 22, 2005**

(54) **SPEAKER**

(76) **Inventor:** **Timothy Ferguson Hill**, 178 Royal  
College St., Camden London NW1 0SP  
(GB)

(\*\*) **Term:** **14 Years**

(21) **Appl. No.:** **29/177,780**

(22) **Filed:** **Mar. 14, 2003**

(30) **Foreign Application Priority Data**

Sep. 16, 2002 (GB) ..... 3007086

(51) **LOC (7) Cl.** ..... **14-01**

(52) **U.S. Cl.** ..... **D14/211; D14/204**

(58) **Field of Search** ..... D14/204, 207,  
D14/209-216, 356, 172; 181/143-144,  
147-148, 150, 157, 198-199, 151, 153,  
192; 381/300-302, 306, 333, 345, 361-364,  
386-388

(56) **References Cited**

**U.S. PATENT DOCUMENTS**

D67,491 S \* 6/1925 Brown ..... D14/207

D274,328 S \* 6/1984 Phelps ..... D14/204  
D275,852 S \* 10/1984 Brisson ..... D14/204  
6,079,514 A \* 6/2000 Zingali ..... 181/152  
D467,238 S \* 12/2002 Hlas et al. .... D14/216

\* cited by examiner

*Primary Examiner*—Nanda Bondade  
(74) *Attorney, Agent, or Firm*—Fay, Sharpe, Fagan,  
Minnich & McKee, LLP

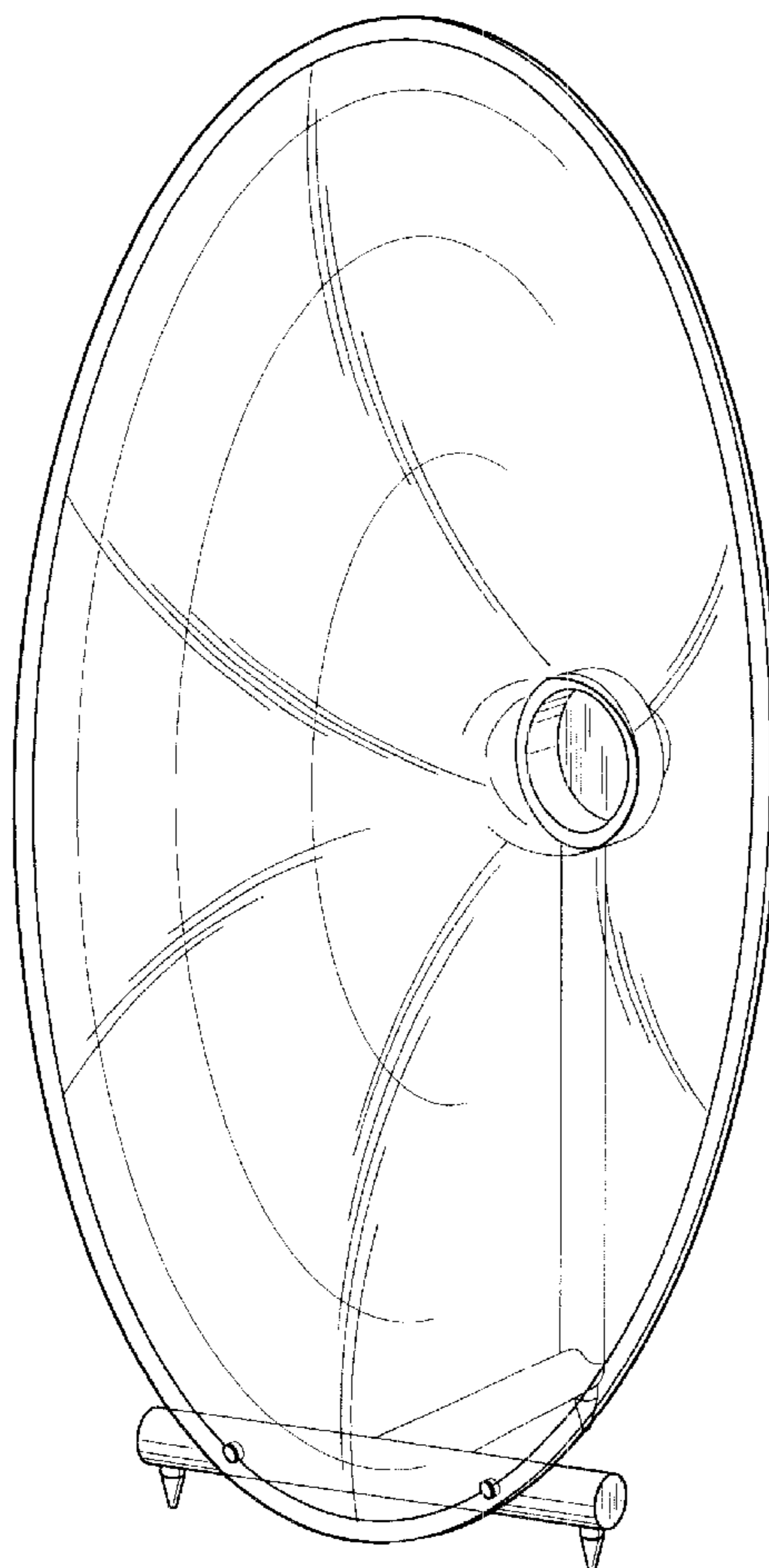
(57) **CLAIM**

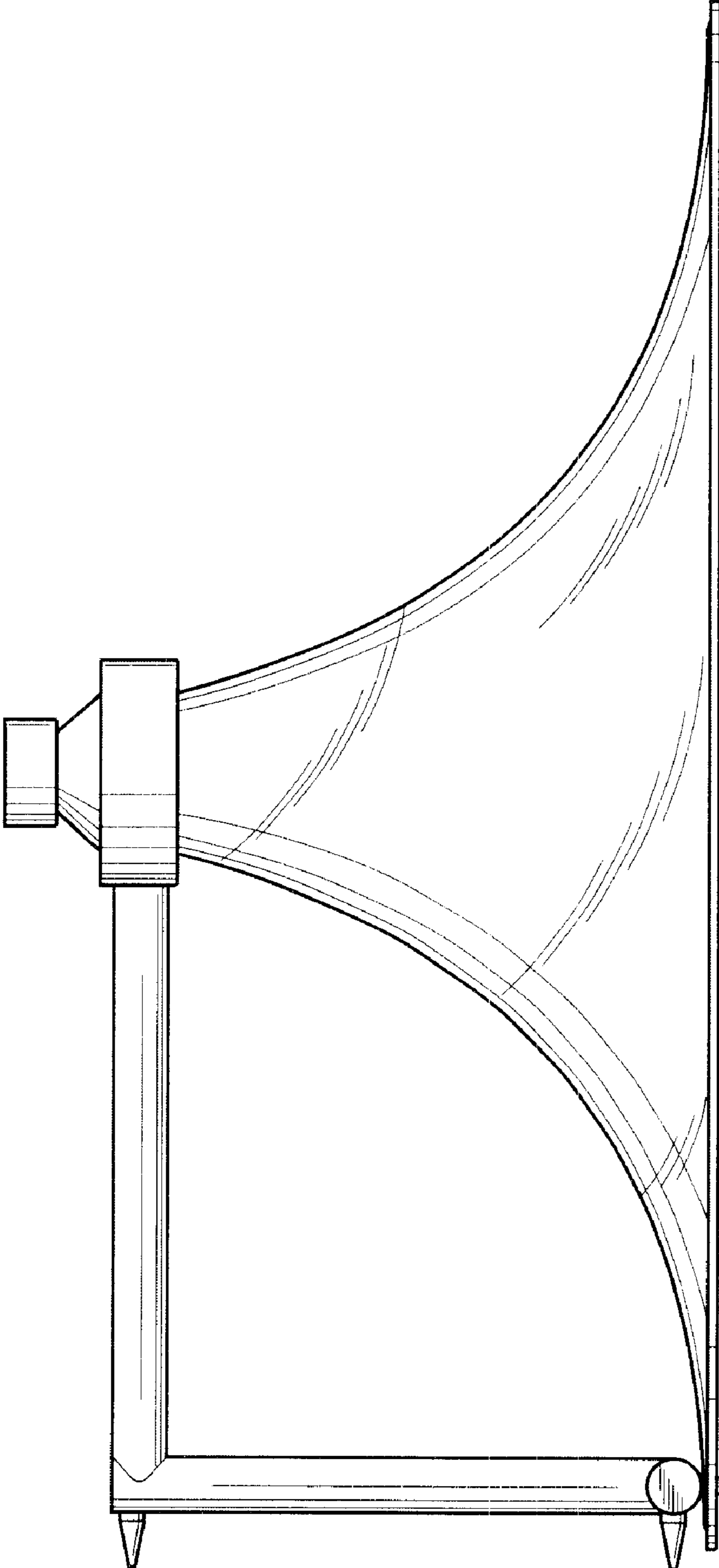
The ornamental design for a speaker, as shown and described.

**DESCRIPTION**

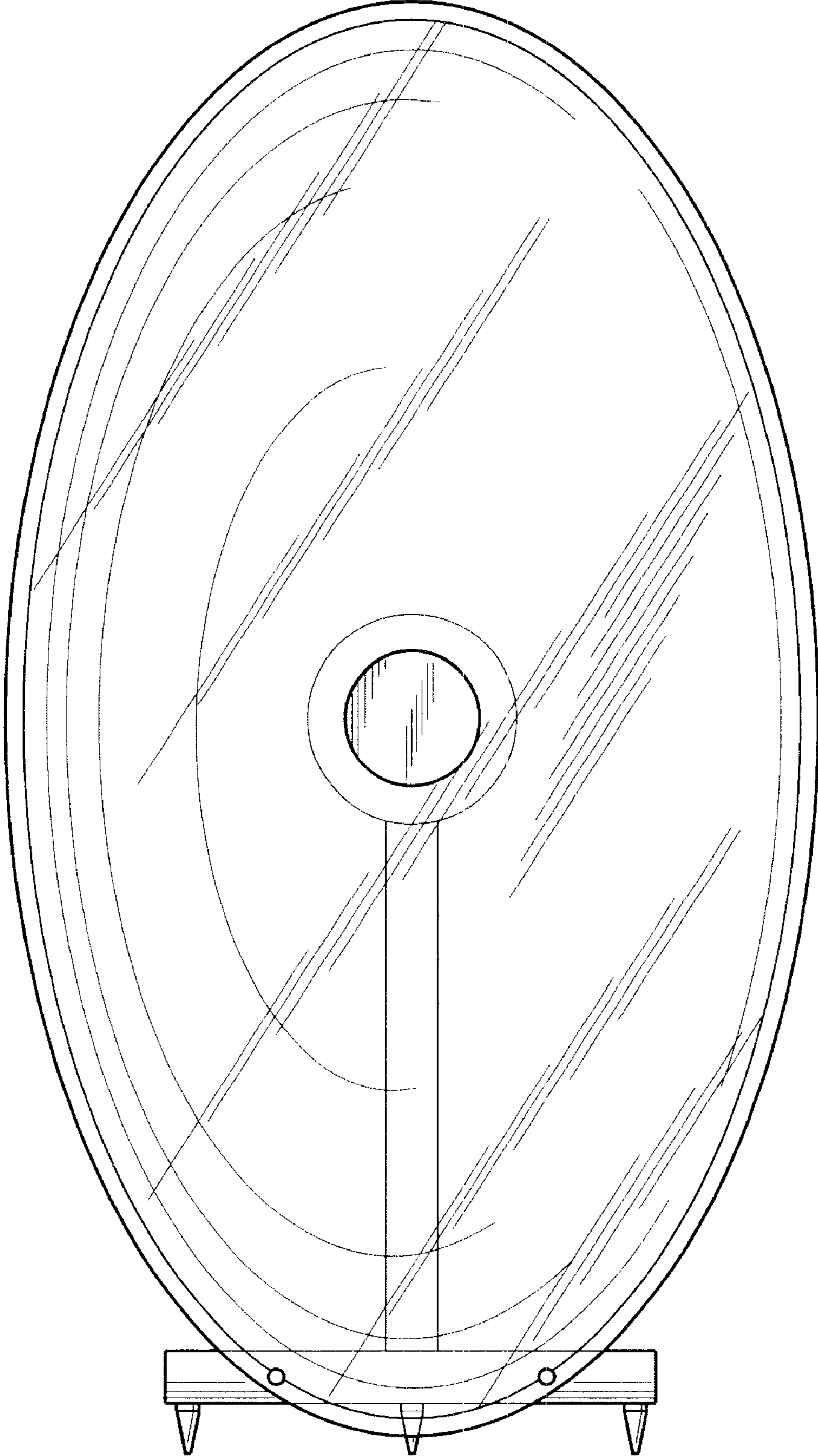
FIG. 1 is a left side elevational view of a speaker showing my new design, with a right side elevational view being a mirror image thereof;  
FIG. 2 is a front elevational view thereof;  
FIG. 3 is a top plan view thereof;  
FIG. 4 is a perspective view thereof; and,  
FIG. 5 is a rear elevational view thereof.

**1 Claim, 5 Drawing Sheets**

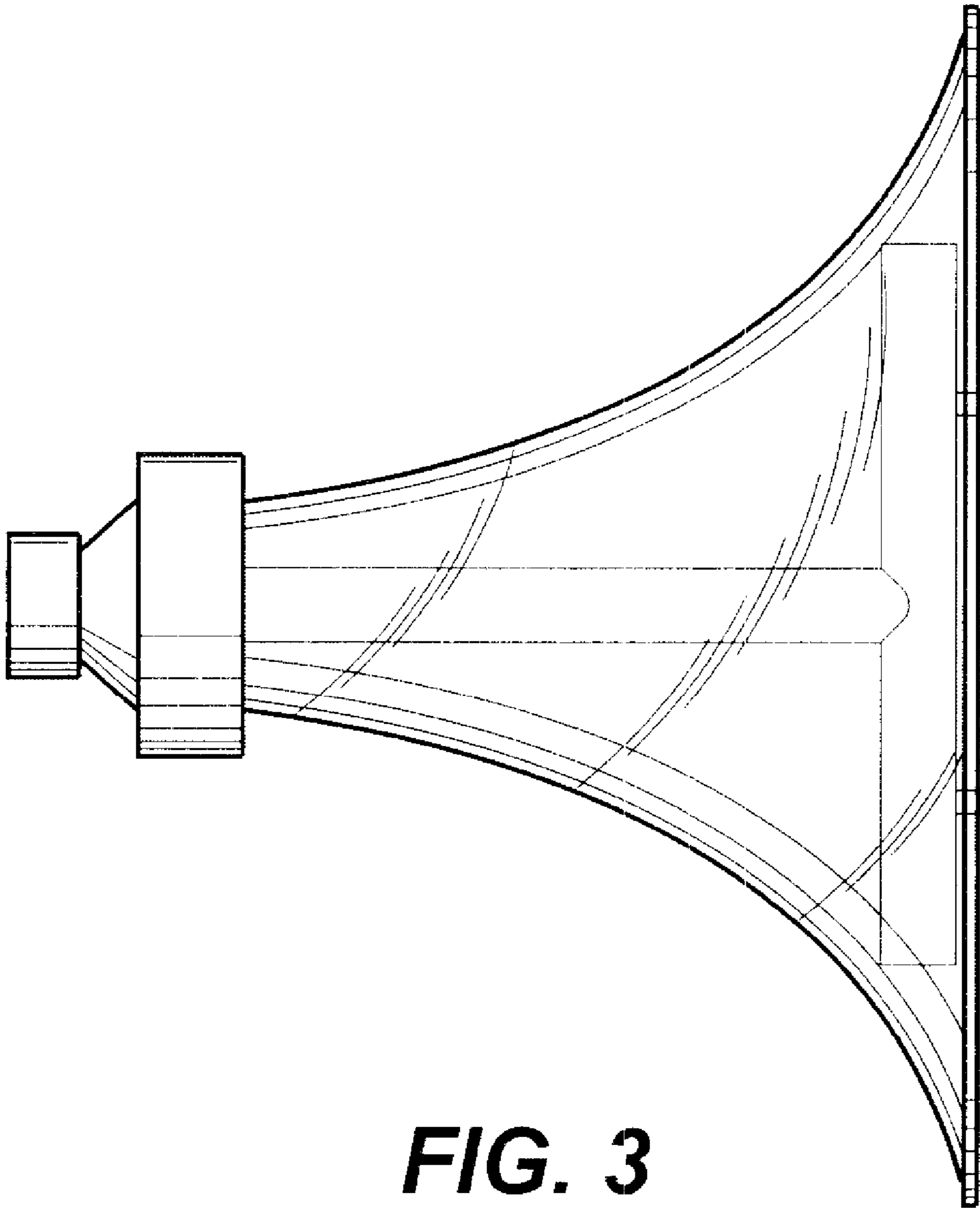




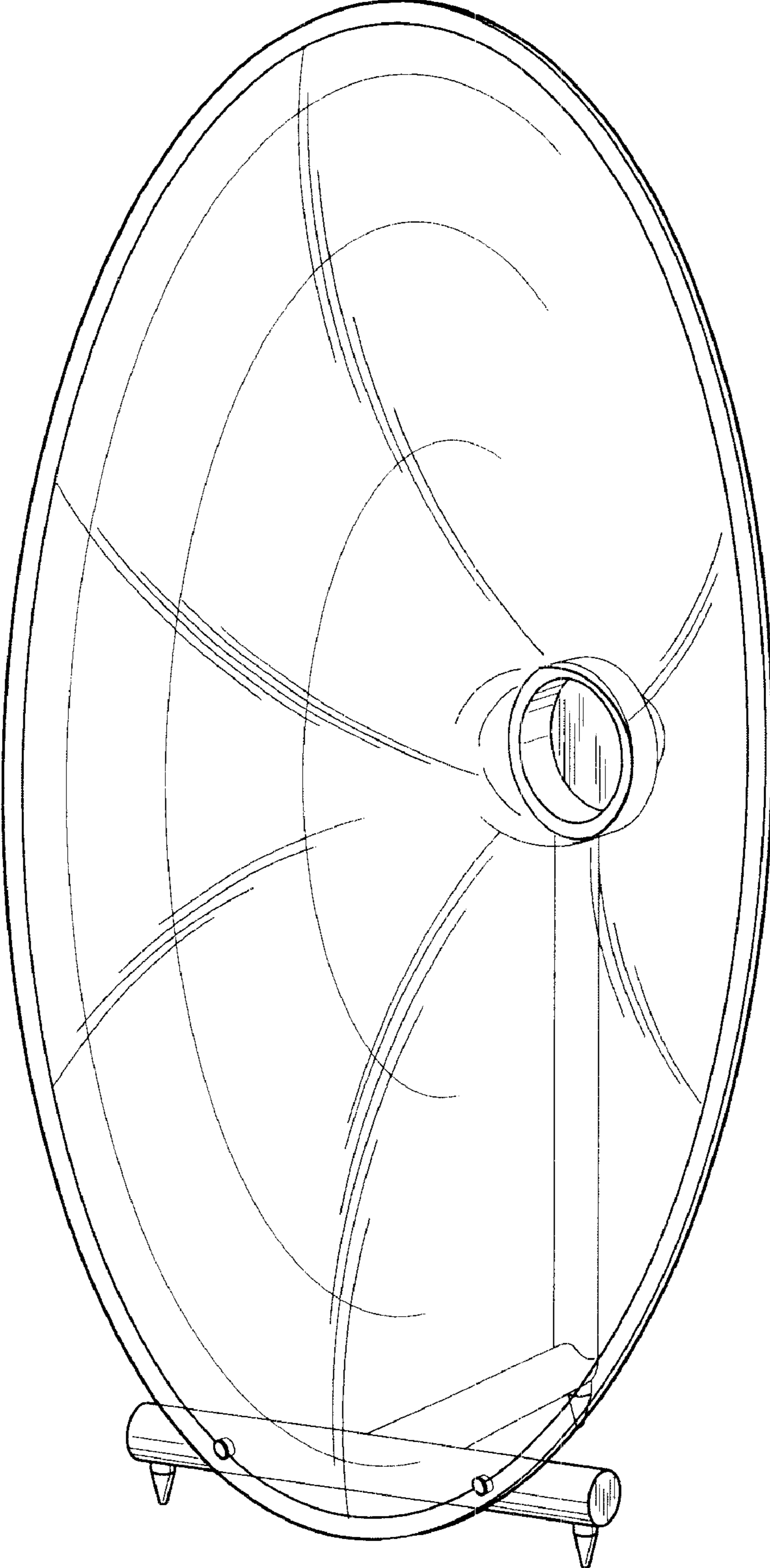
**FIG. 1**



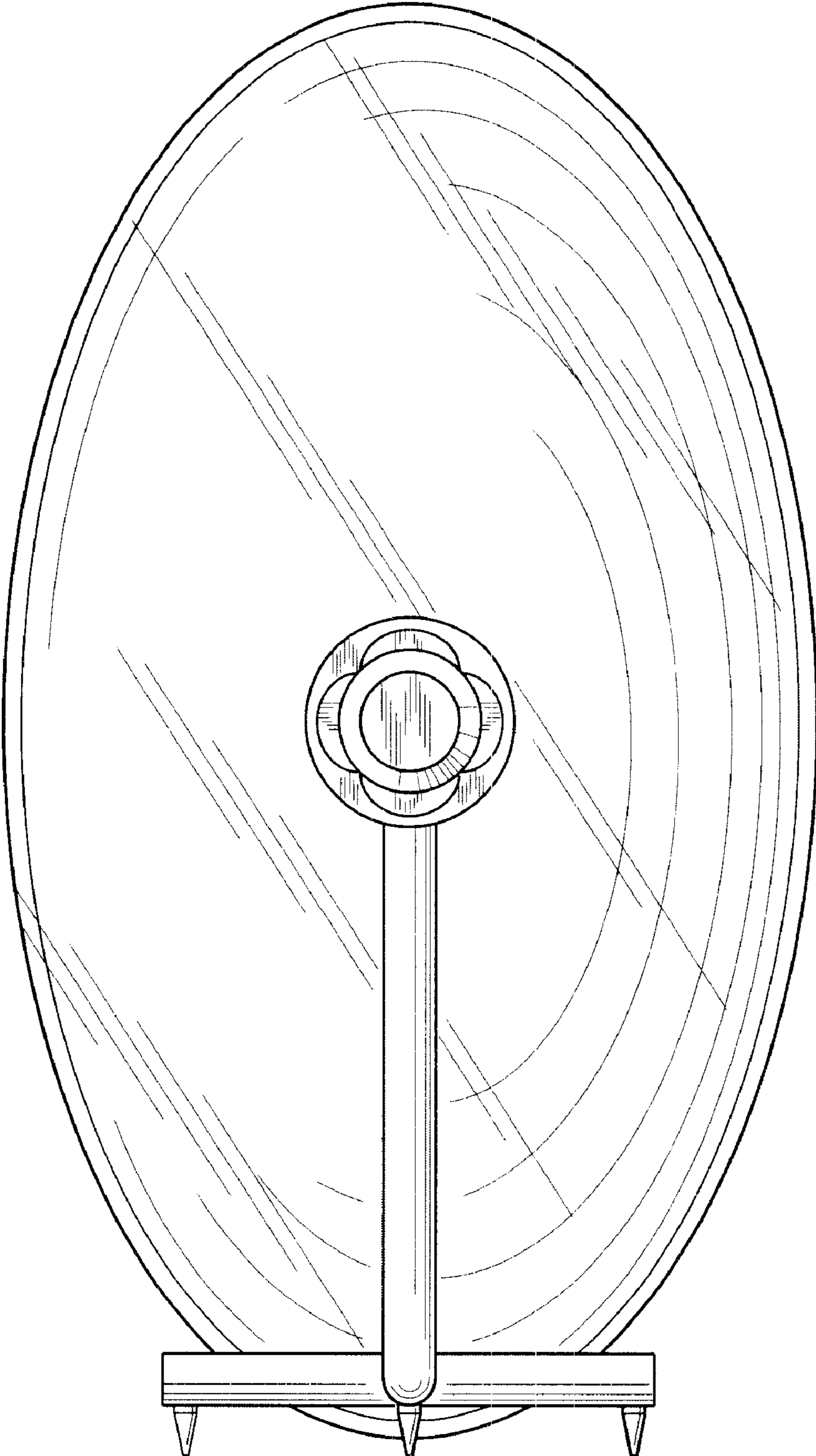
**FIG. 2**



**FIG. 3**



**FIG. 4**



**FIG. 5**