

US00D502164S

(12) **United States Design Patent**
Ko et al.

(10) **Patent No.: US D502,164 S**

(45) **Date of Patent: ** Feb. 22, 2005**

(54) **MP3 WALKMAN**

(75) Inventors: **Ti-Chieh Ko**, Taipei (TW); **Yu-Fen Lo**, Taipei (TW); **Shu-Chia Wen**, Taipei (TW)

(73) Assignee: **BenQ Corporation**, Taoyuan (TW)

(**) Term: **14 Years**

(21) Appl. No.: **29/200,284**

(22) Filed: **Feb. 25, 2004**

(51) **LOC (7) Cl.** **14-01**

(52) **U.S. Cl.** **D14/156; D14/496**

(58) **Field of Search** D14/135, 136, D14/156, 157, 167, 168, 192, 496; 369/75.1, 75.2, 7, 24, 25, 2, 77.1, 77.2; 455/344-351; D21/333, 332; 273/148 B; 463/43-47

(56) **References Cited**

U.S. PATENT DOCUMENTS

- D431,544 S * 10/2000 Kobayashi D14/156
- D451,490 S * 12/2001 Martres D14/156
- D452,250 S * 12/2001 Chan D14/496
- D460,432 S * 7/2002 Brown D14/156

- D478,887 S * 8/2003 Jerome D14/156
- D490,068 S * 5/2004 Chen D14/156
- D491,911 S * 6/2004 Jung D14/156
- 6,769,603 B2 * 8/2004 Nagai et al. 235/375
- 6,791,907 B2 * 9/2004 Berhan 369/7
- 6,795,318 B2 * 9/2004 Haas et al. 361/729
- 6,795,381 B2 * 9/2004 Ando et al. 369/30.03

* cited by examiner

Primary Examiner—Prabhakar Deshmukh

(74) *Attorney, Agent, or Firm*—Quintero Law Office

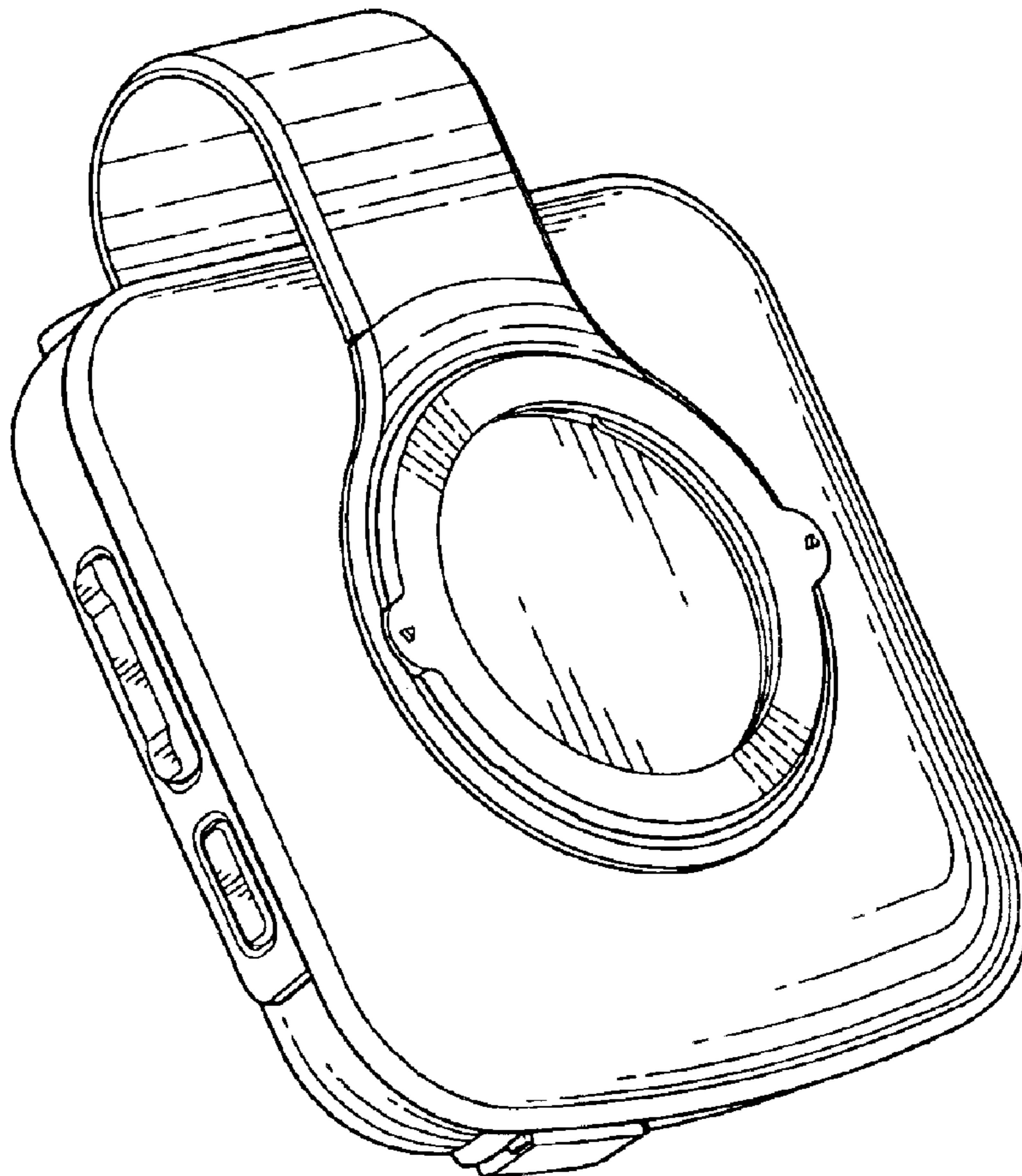
(57) **CLAIM**

The ornamental design for a MP3 walkman, as shown and described.

DESCRIPTION

FIG. 1 is a perspective view thereof;
FIG. 2 is a front elevational view thereof;
FIG. 3 is a rear elevational view thereof;
FIG. 4 is a left side elevational view thereof;
FIG. 5 is a right side elevational view thereof;
FIG. 6 is a top plan view thereof;
FIG. 7 is a bottom plan view thereof; and,
FIG. 8 is a perspective view thereof.

1 Claim, 5 Drawing Sheets



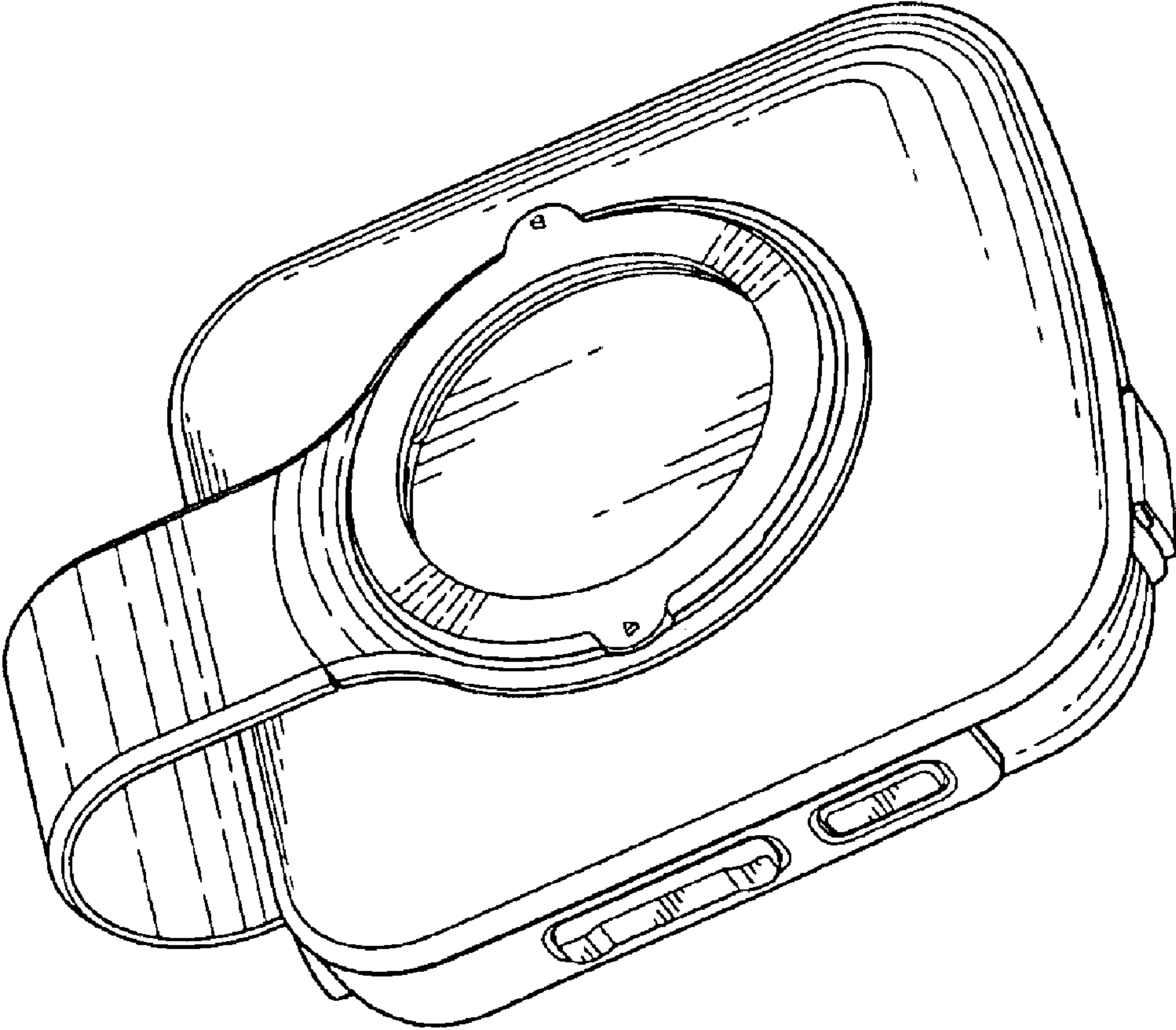


FIG. 1

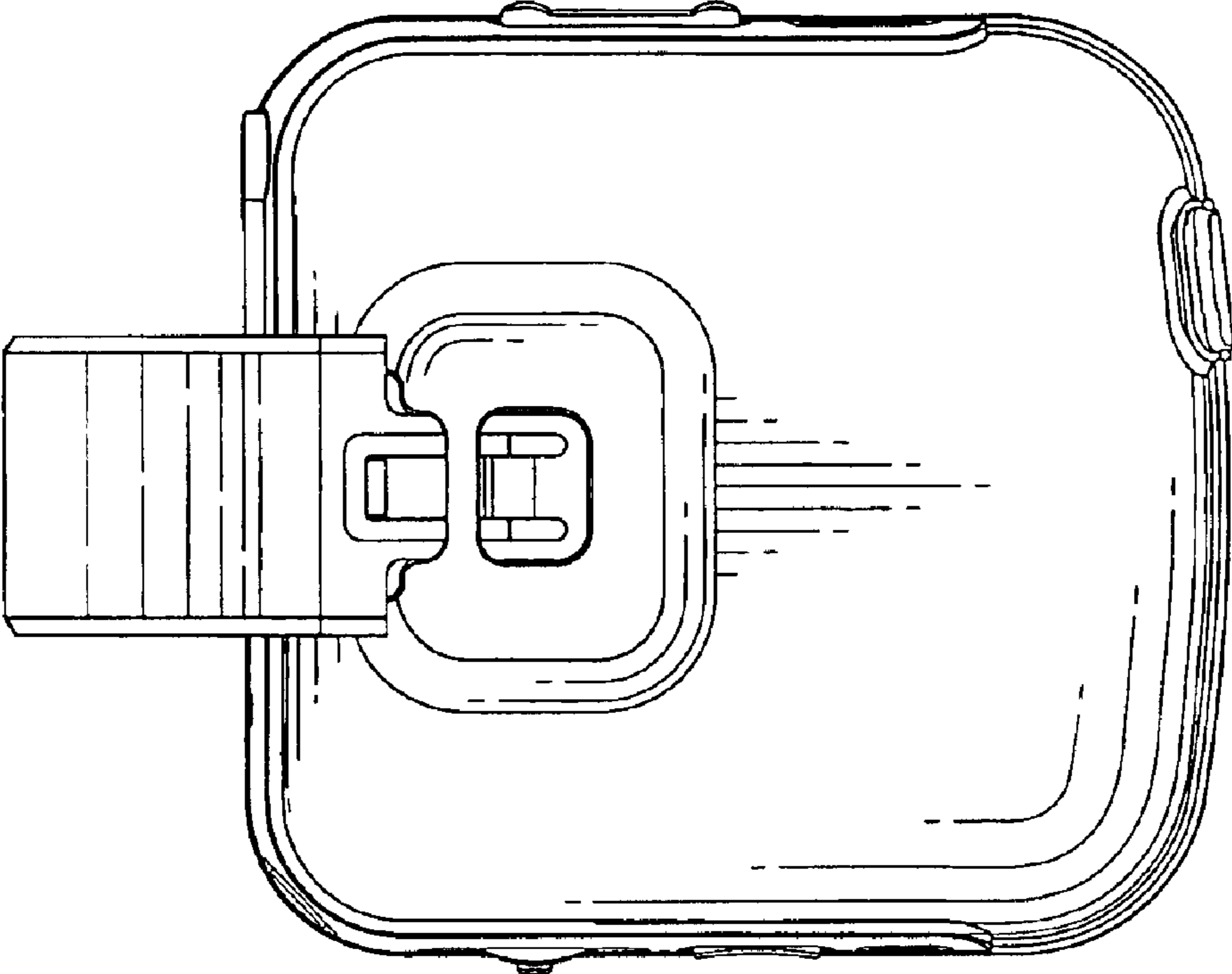


FIG. 3

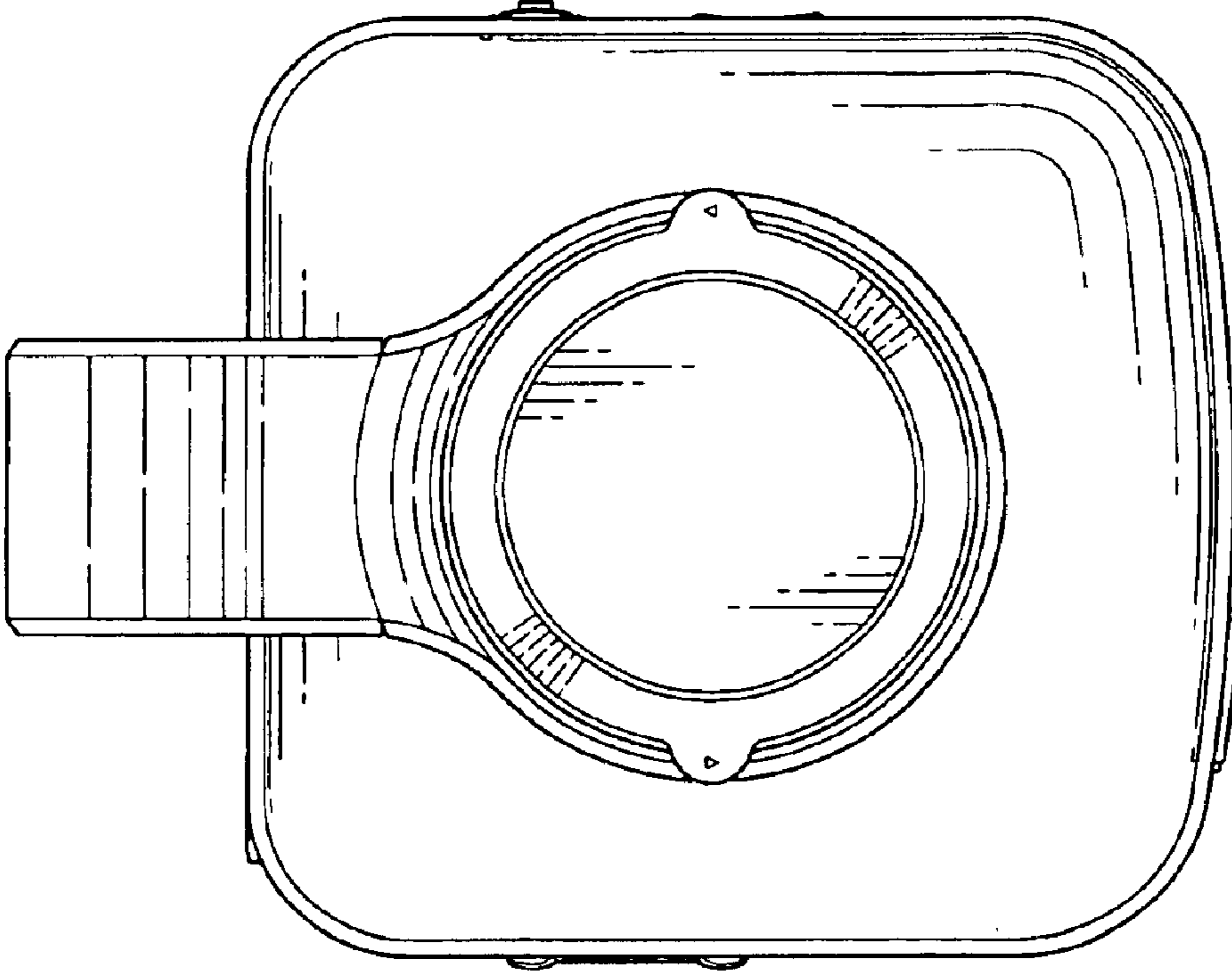


FIG. 2

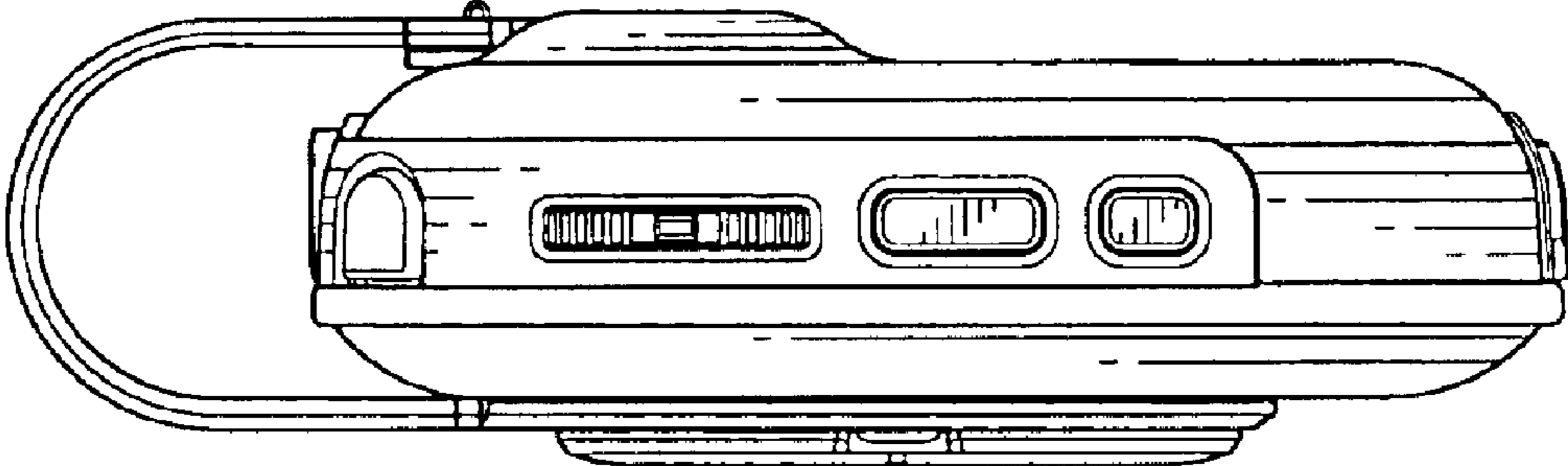


FIG. 5

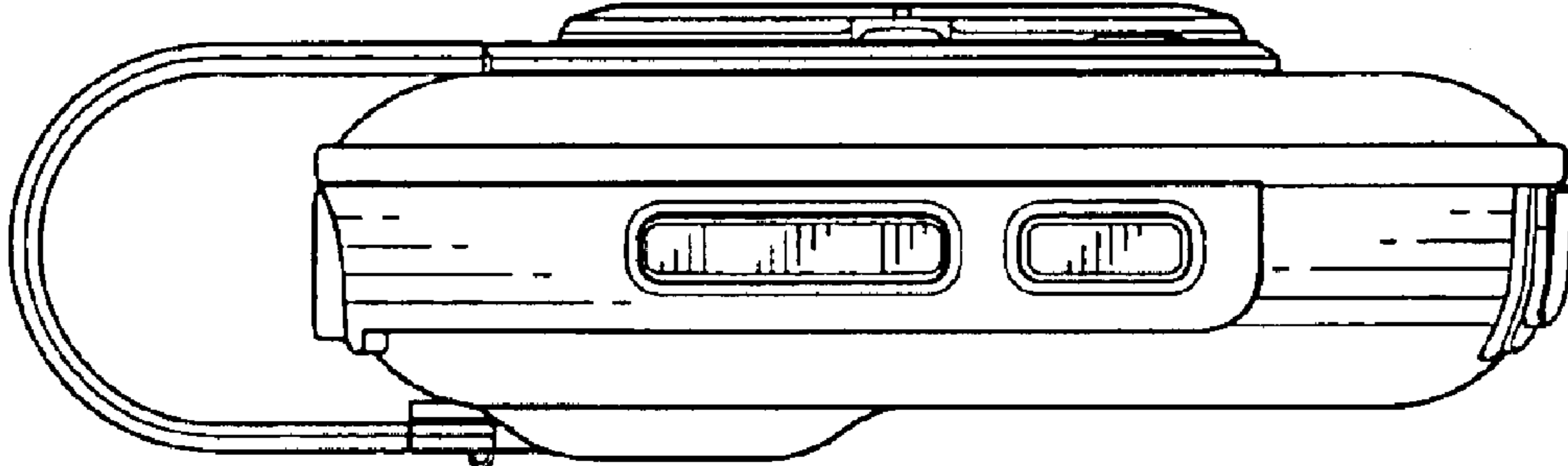


FIG. 4

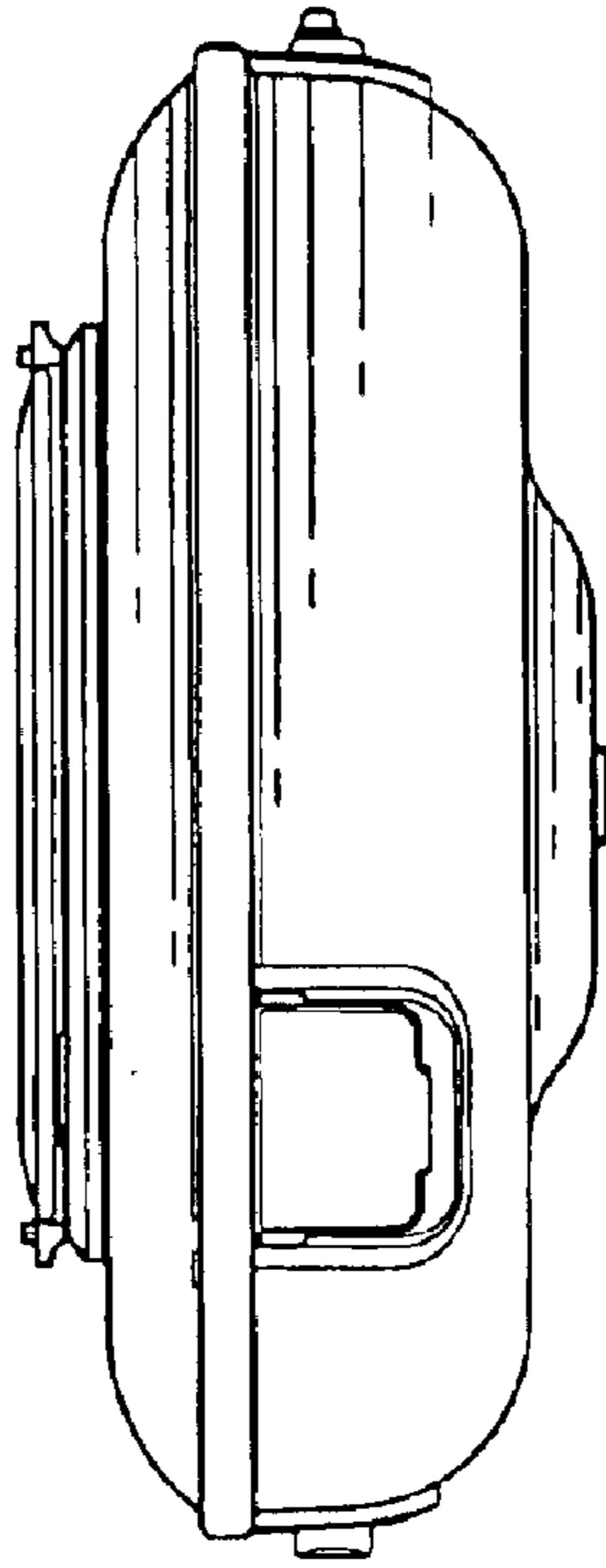


FIG. 7

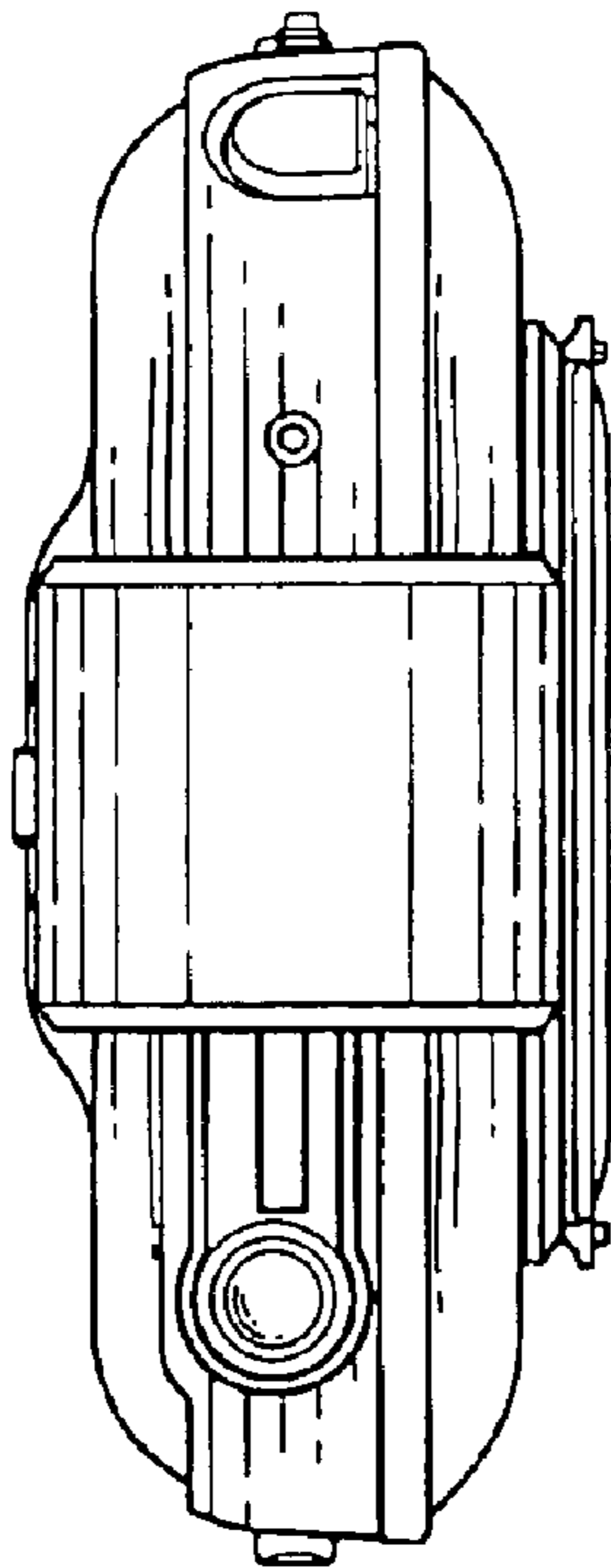


FIG. 6

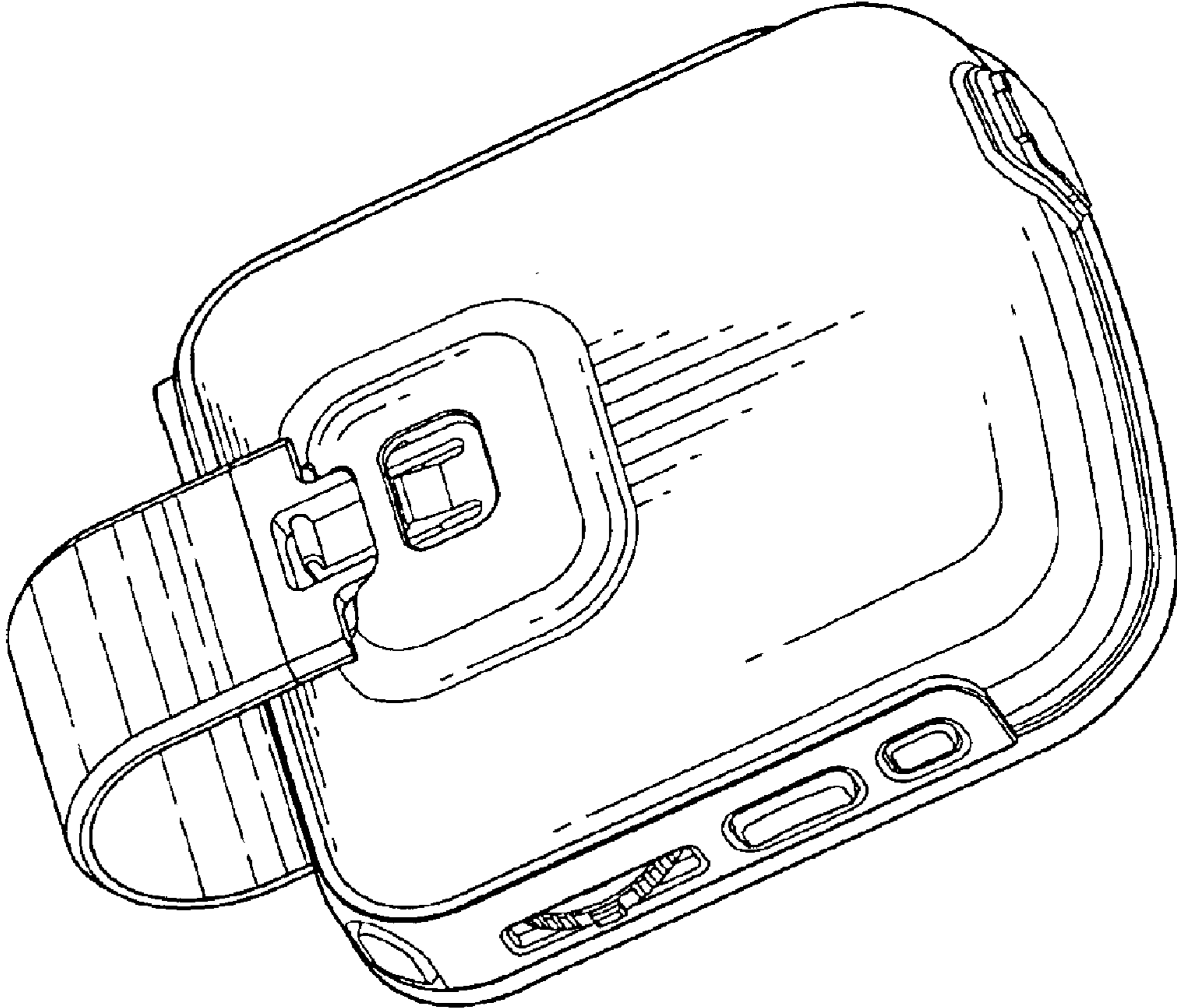


FIG. 8