

US00D502163S

(12) **United States Design Patent**
Pelletier

(10) **Patent No.:** **US D502,163 S**

(45) **Date of Patent:** **** Feb. 22, 2005**

(54) **TELEPHONE BASE**

(75) **Inventor:** **Dale T. Pelletier**, Colorado Springs, CO (US)

(73) **Assignee:** **TeleMatrix, Inc.**, Colorado Springs, CO (US)

(**) **Term:** **14 Years**

(21) **Appl. No.:** **29/190,833**

(22) **Filed:** **Sep. 26, 2003**

(51) **LOC (7) Cl.** **14-03**

(52) **U.S. Cl.** **D14/151**

(58) **Field of Search** D14/130, 148,
D14/147, 149-151, 143, 329, 330, 140-142,
144, 240, 241, 243, 170, 171, 159; 379/440,
454, 446, 419, 420.01-420.04, 428.01-428.04,
434-436; 320/110, 113-115; 455/550.1-90.3;
D21/517; D13/107, 108

D374,667 S	*	10/1996	Elkins et al.	D14/151
D389,145 S	*	1/1998	Yoneyama	D14/151
D390,226 S	*	2/1998	Mak et al.	D14/149
D390,563 S	*	2/1998	Akatsu et al.	D14/151
D412,171 S	*	7/1999	Girardi et al.	D14/151
D442,158 S	*	5/2001	Isonaga	D14/151
D449,287 S	*	10/2001	Jauregui et al.	D14/151
D460,954 S	*	7/2002	Shen et al.	D14/151
D463,390 S	*	9/2002	Shen et al.	D14/151
D464,636 S	*	10/2002	Shen et al.	D14/151
D470,830 S	*	2/2003	Weidinger	D14/151
D476,969 S	*	7/2003	Weidinger	D14/151
D489,700 S	*	5/2004	Hillenmayer	D14/151
D490,393 S	*	5/2004	Taniguchi et al.	D14/151

* cited by examiner

Primary Examiner—Jeffrey Asch

(74) *Attorney, Agent, or Firm*—Fish & Richardson, PC, PA

(57) **CLAIM**

The ornamental design for a telephone base, as shown and described.

(56) **References Cited**

U.S. PATENT DOCUMENTS

D307,009 S	*	4/1990	Boykiw	D14/151
D311,191 S	*	10/1990	Ando	D14/151
5,086,466 A	*	2/1992	Gumb et al.	379/440
5,121,427 A	*	6/1992	Gumb et al.	379/435
D330,028 S	*	10/1992	Gagnon et al.	D14/151
D332,786 S	*	1/1993	Gagnon	D14/142
5,187,743 A	*	2/1993	Gumb et al.	379/436
D352,943 S	*	11/1994	Weidinger	D14/151
D368,091 S	*	3/1996	Yoshihiko et al.	D14/151

DESCRIPTION

FIG. 1 is a perspective view of a telephone base showing the new design.

FIG. 2 is a top plan view of the telephone base of the design.

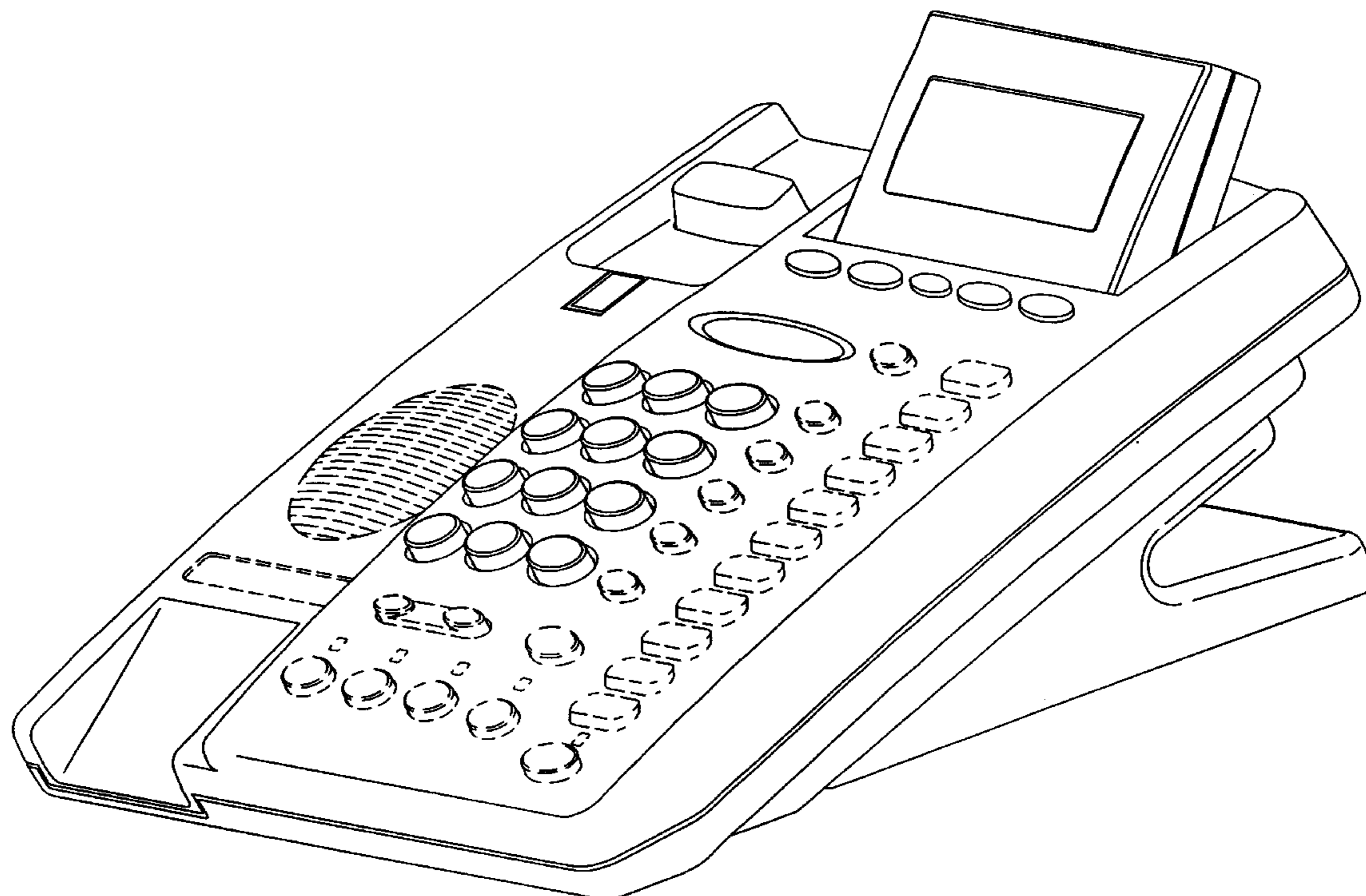
FIG. 3 is a right side view of the design.

FIG. 4 is a left side view of the design.

FIG. 5 is a front view of the design; and,

FIG. 6 is a back view of the design.

1 Claim, 4 Drawing Sheets



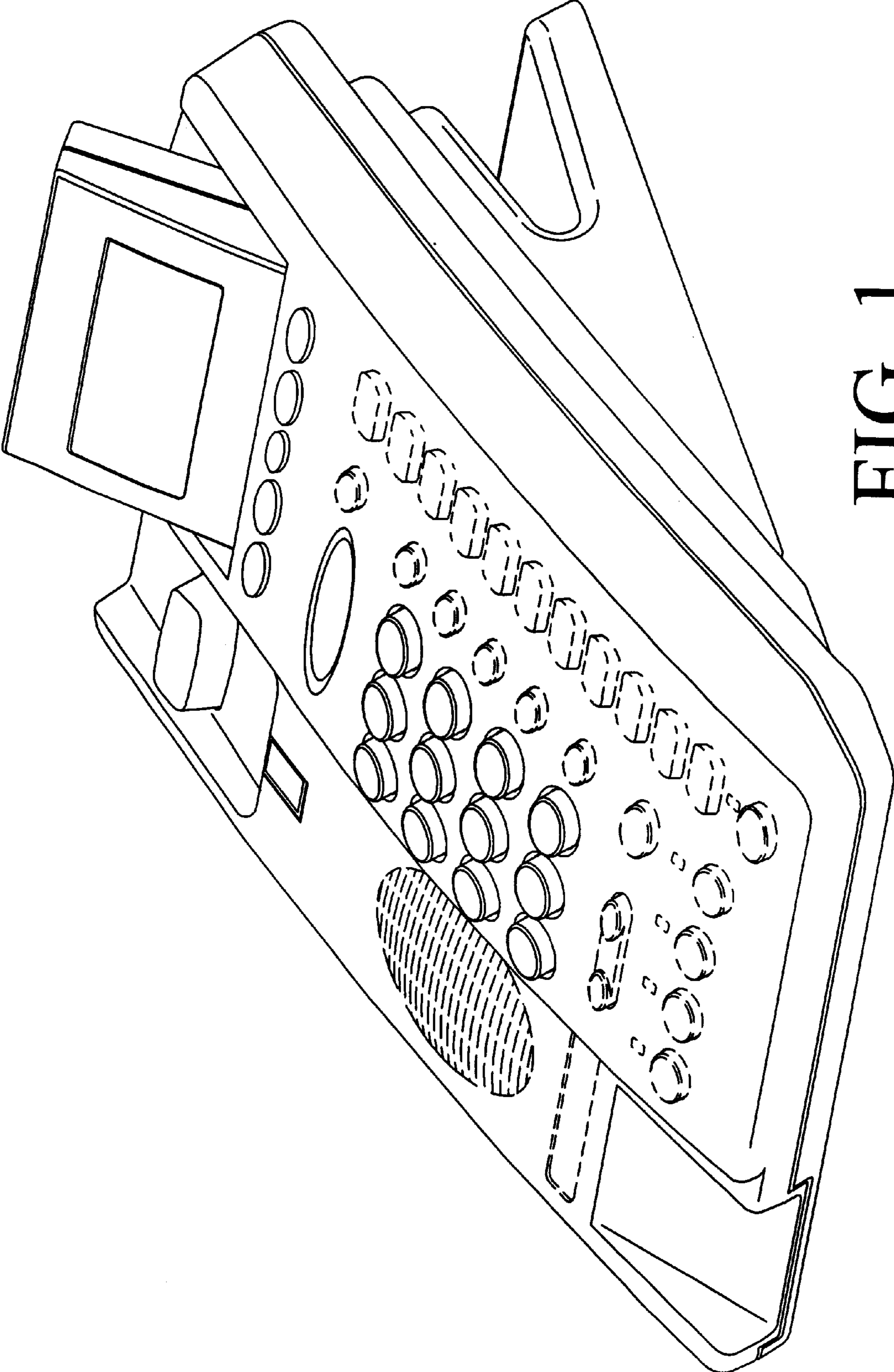


FIG. 1

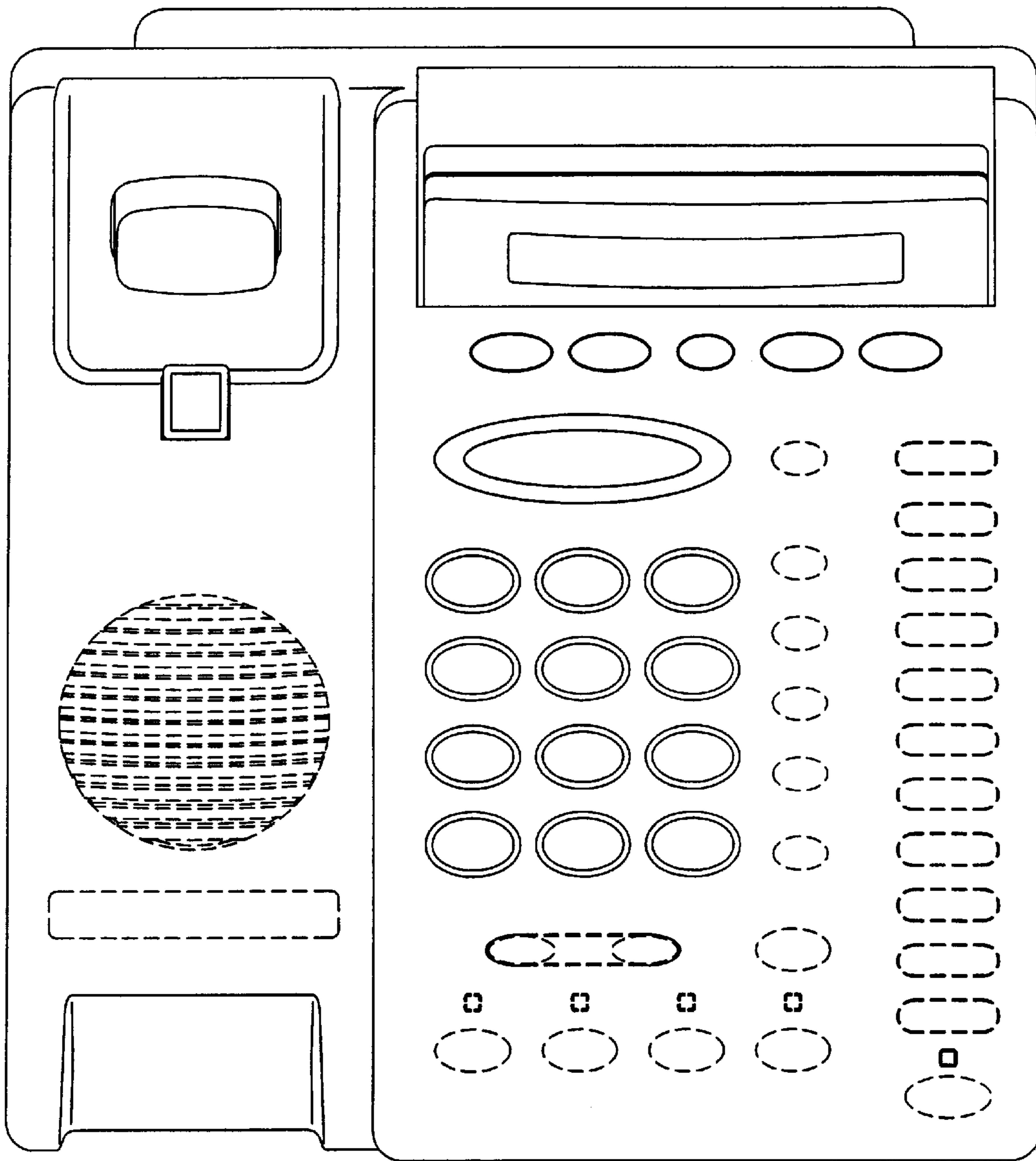


FIG. 2

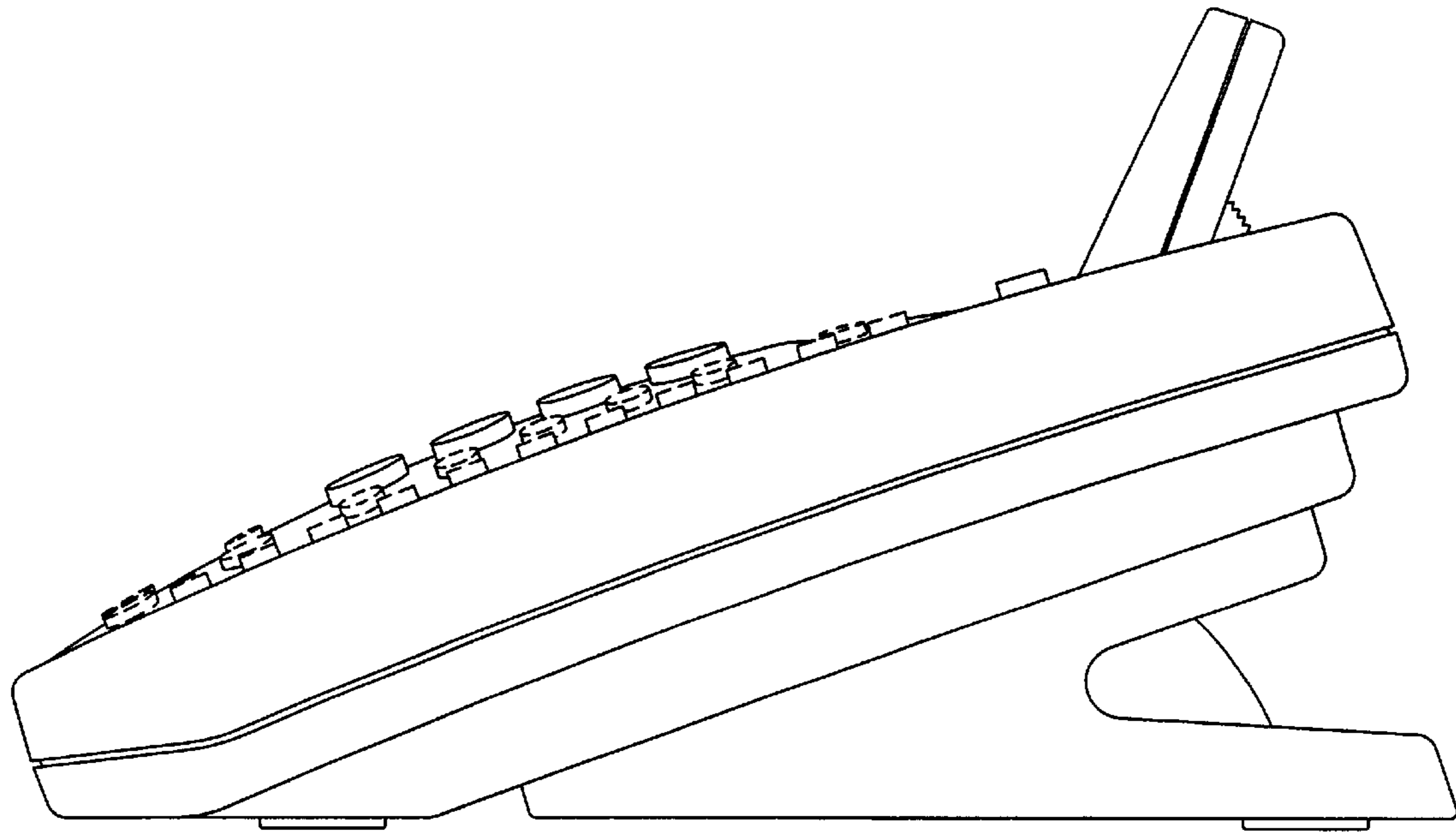


FIG. 3

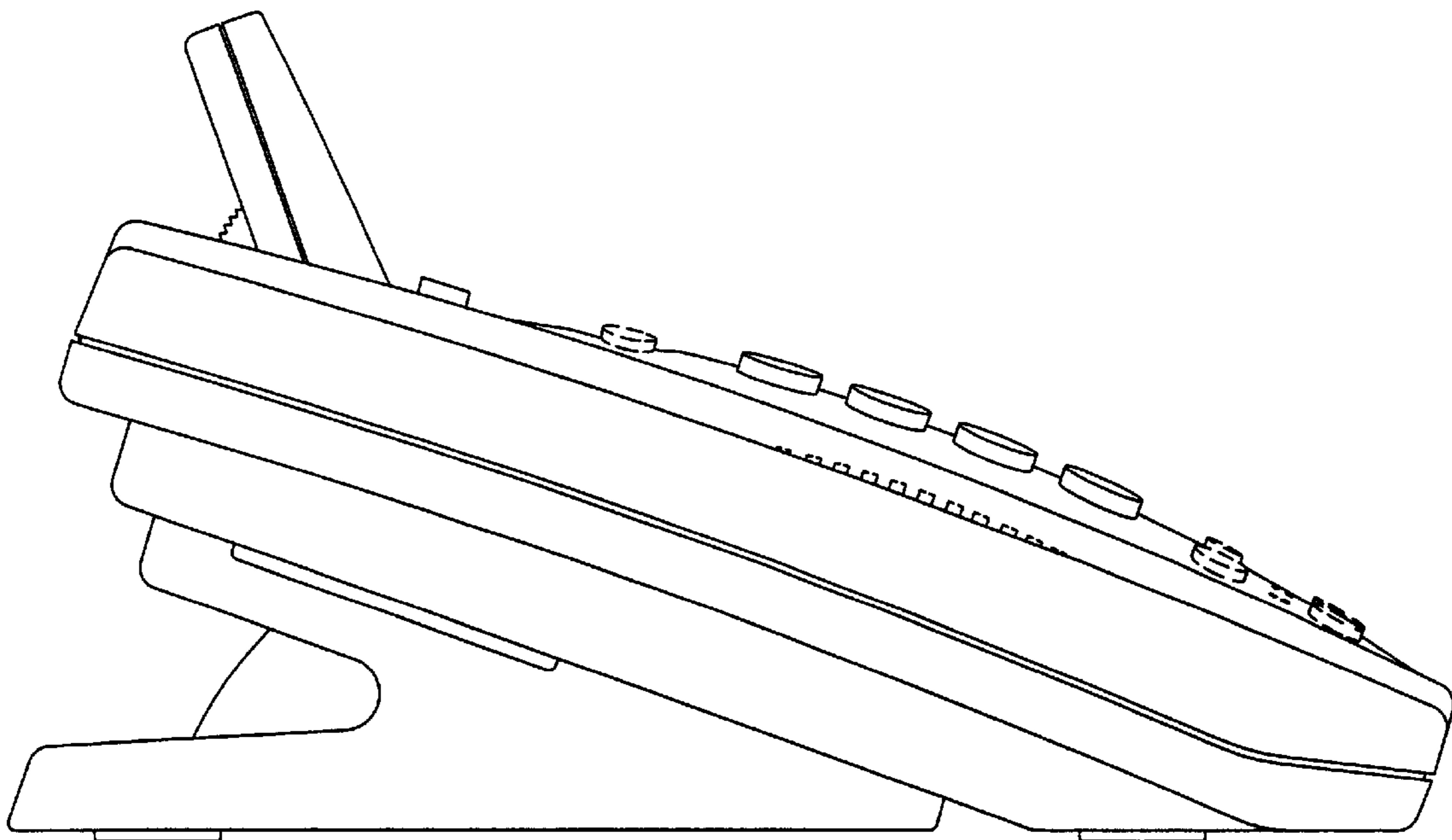


FIG. 4

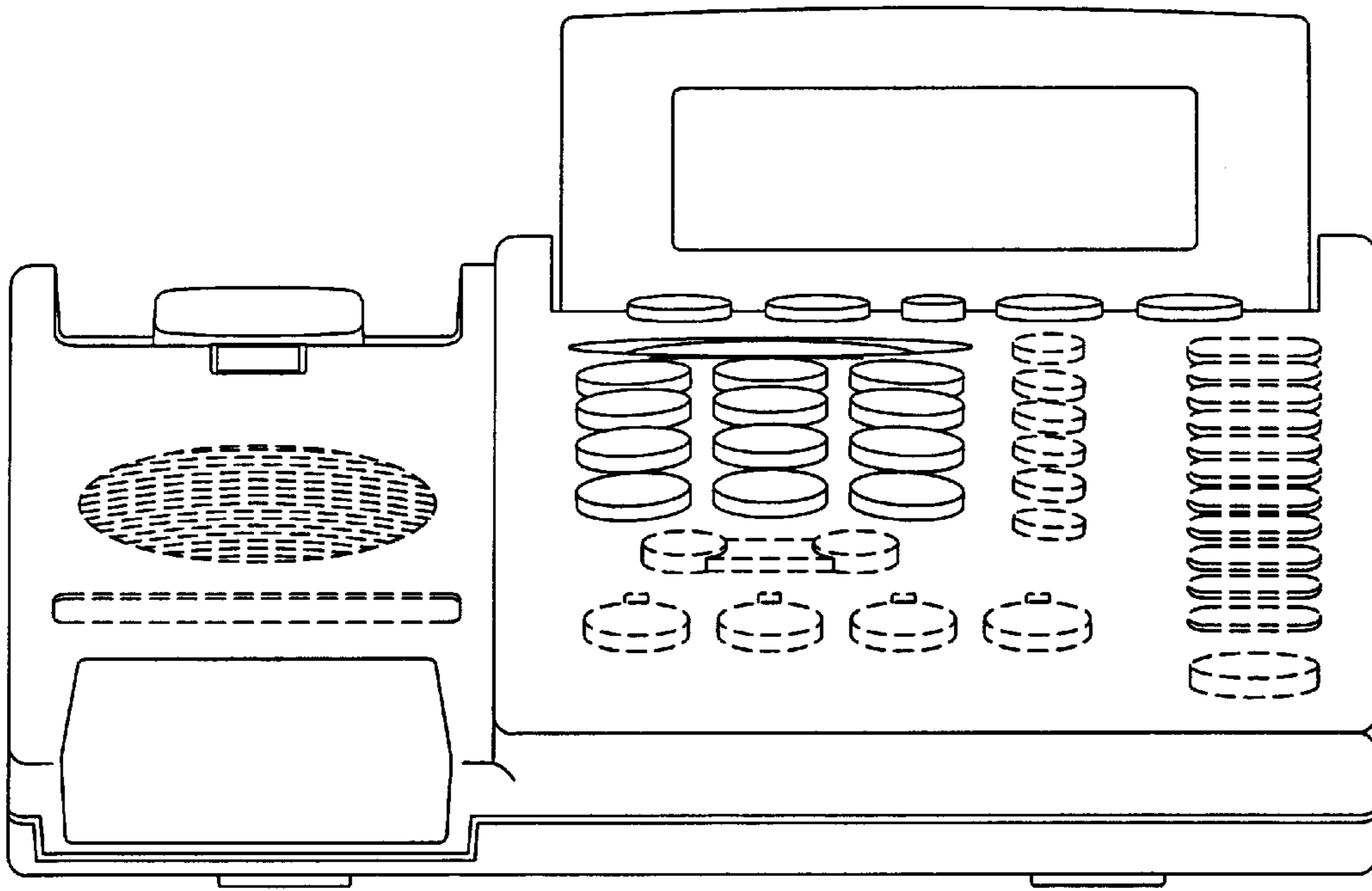


FIG. 5

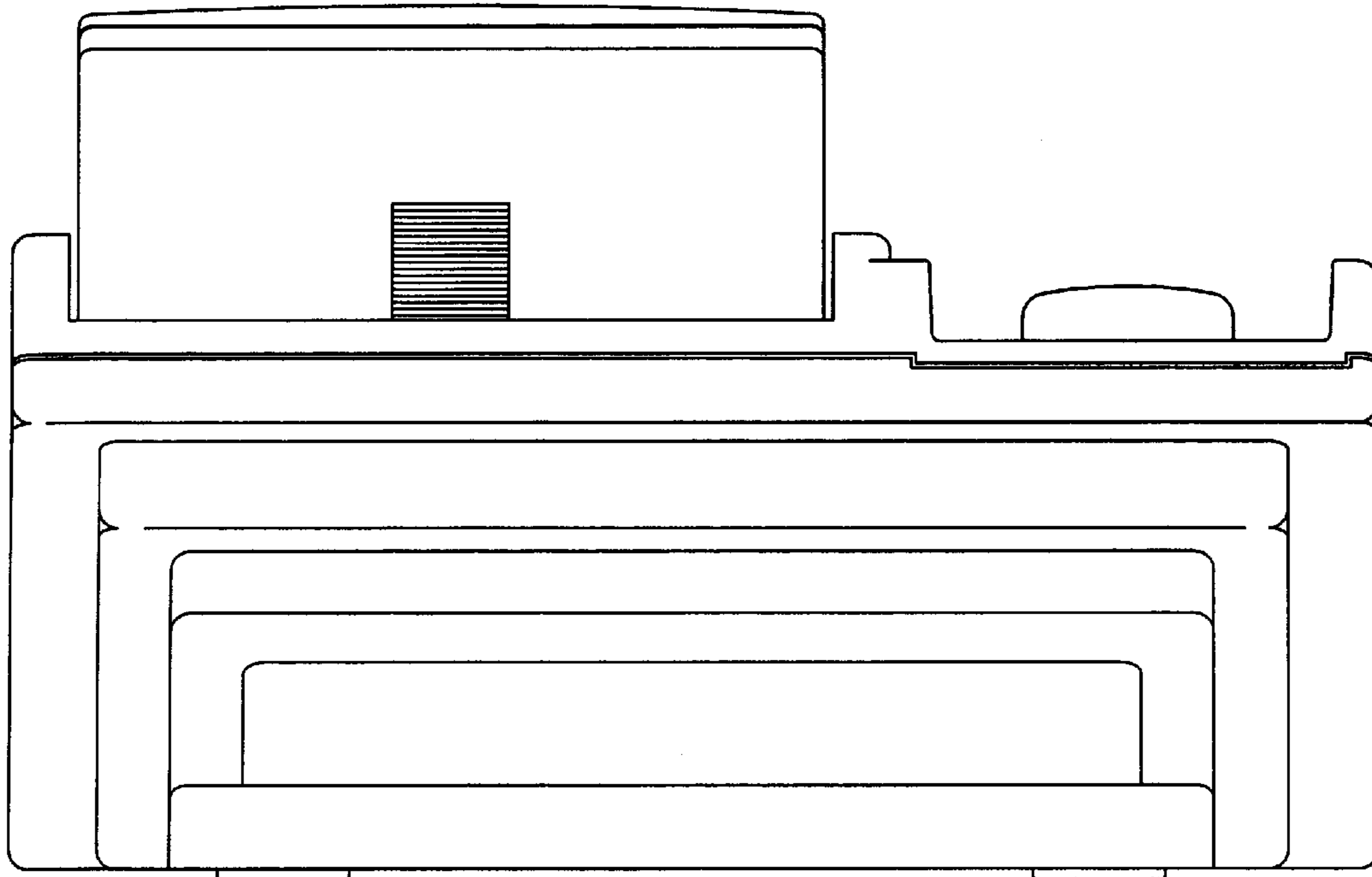


FIG. 6