

US00D502154S

(12) **United States Design Patent**  
**Peng**

(10) **Patent No.:** **US D502,154 S**  
(45) **Date of Patent:** **\*\* Feb. 22, 2005**

(54) **VIDEO DISPLAY DEVICE**

(75) **Inventor:** **Juen Tien Peng, Chung Li (TW)**

(73) **Assignee:** **Action Electronics Co., Ltd., Chung Li (TW)**

(\*\*) **Term:** **14 Years**

(21) **Appl. No.:** **29/199,320**

(22) **Filed:** **Feb. 13, 2004**

(30) **Foreign Application Priority Data**

Jan. 5, 2004 (TW) ..... 93300041

(51) **LOC (7) Cl.** ..... **14-03**

(52) **U.S. Cl.** ..... **D14/126**

(58) **Field of Search** ..... D14/125-134,  
D14/239, 371, 374-376; 312/7.2; 348/836,  
838, 180, 184, 325, 739; 341/12; 248/917-924,  
465; 345/104, 133, 156, 168, 87, 173

(56) **References Cited**

**U.S. PATENT DOCUMENTS**

527,694 A \* 10/1894 Jones ..... 248/465  
D414,164 S \* 9/1999 Rorke et al. .... D14/374  
D415,147 S \* 10/1999 Adachi ..... D14/132  
D432,101 S \* 10/2000 Oba ..... D14/126

D439,224 S \* 3/2001 Kita ..... D14/126  
D439,225 S \* 3/2001 Kita ..... D14/126  
D453,748 S \* 2/2002 Kita ..... D14/134  
D456,370 S \* 4/2002 Kita ..... D14/126  
D476,632 S \* 7/2003 Inoue et al. .... D14/126  
D479,209 S \* 9/2003 Teng et al. .... D14/126  
D486,131 S \* 2/2004 Otsuka ..... D14/126  
D494,148 S \* 8/2004 Huang et al. .... D14/126

\* cited by examiner

*Primary Examiner*—Raphael Barkai

(74) *Attorney, Agent, or Firm*—Rosenberg, Klein & Lee

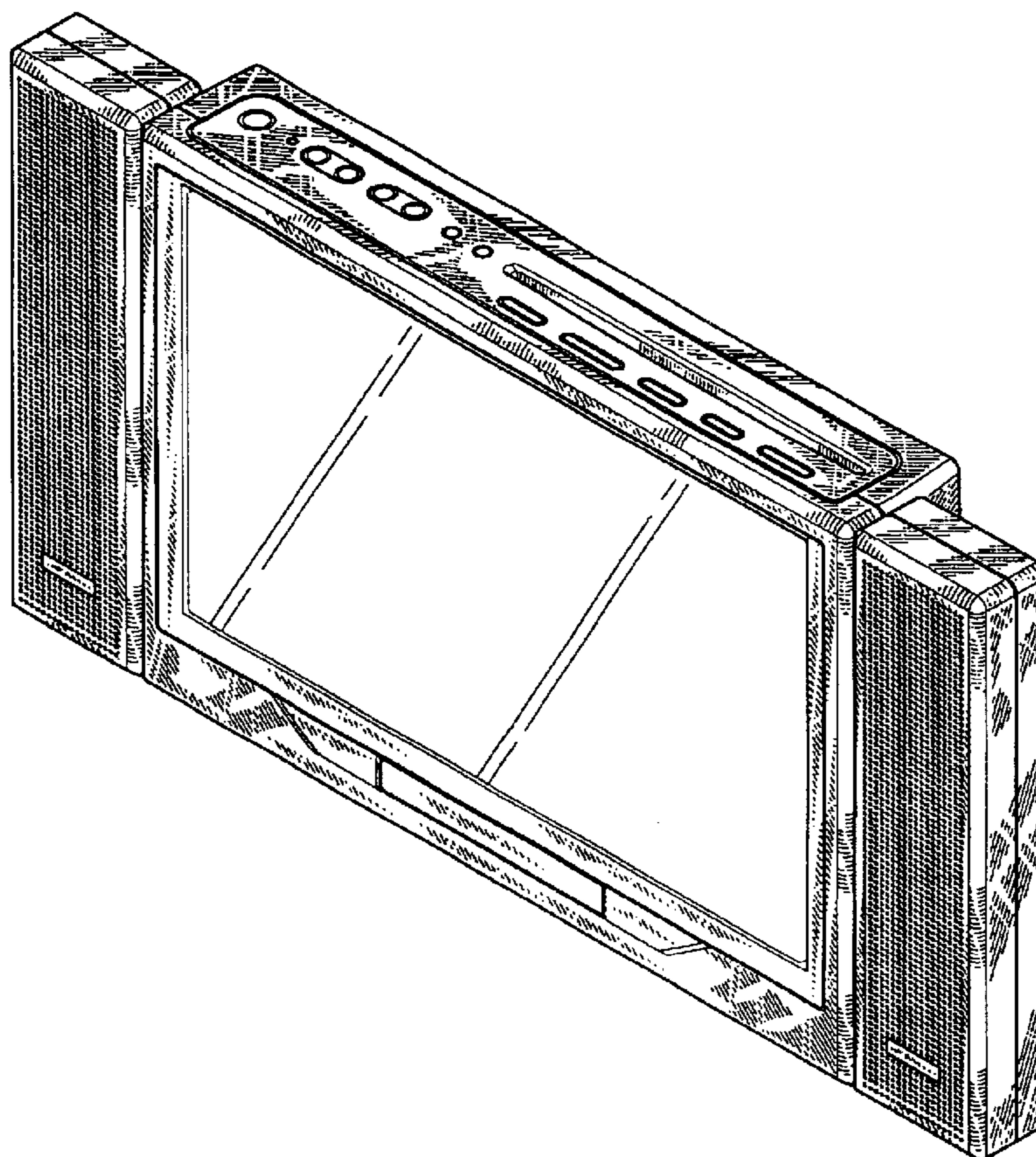
(57) **CLAIM**

The ornamental design of a video display device, as shown in the accompanying drawings.

**DESCRIPTION**

FIG. 1 is a perspective view of video display device embodying our design;  
FIG. 2 is a front elevational view thereof;  
FIG. 3 is a rear elevational view thereof;  
FIG. 4 is a left elevational view thereof;  
FIG. 5 is a right elevational view thereof;  
FIG. 6 is a top elevational view thereof; and,  
FIG. 7 is a bottom elevational view thereof.

**1 Claim, 4 Drawing Sheets**



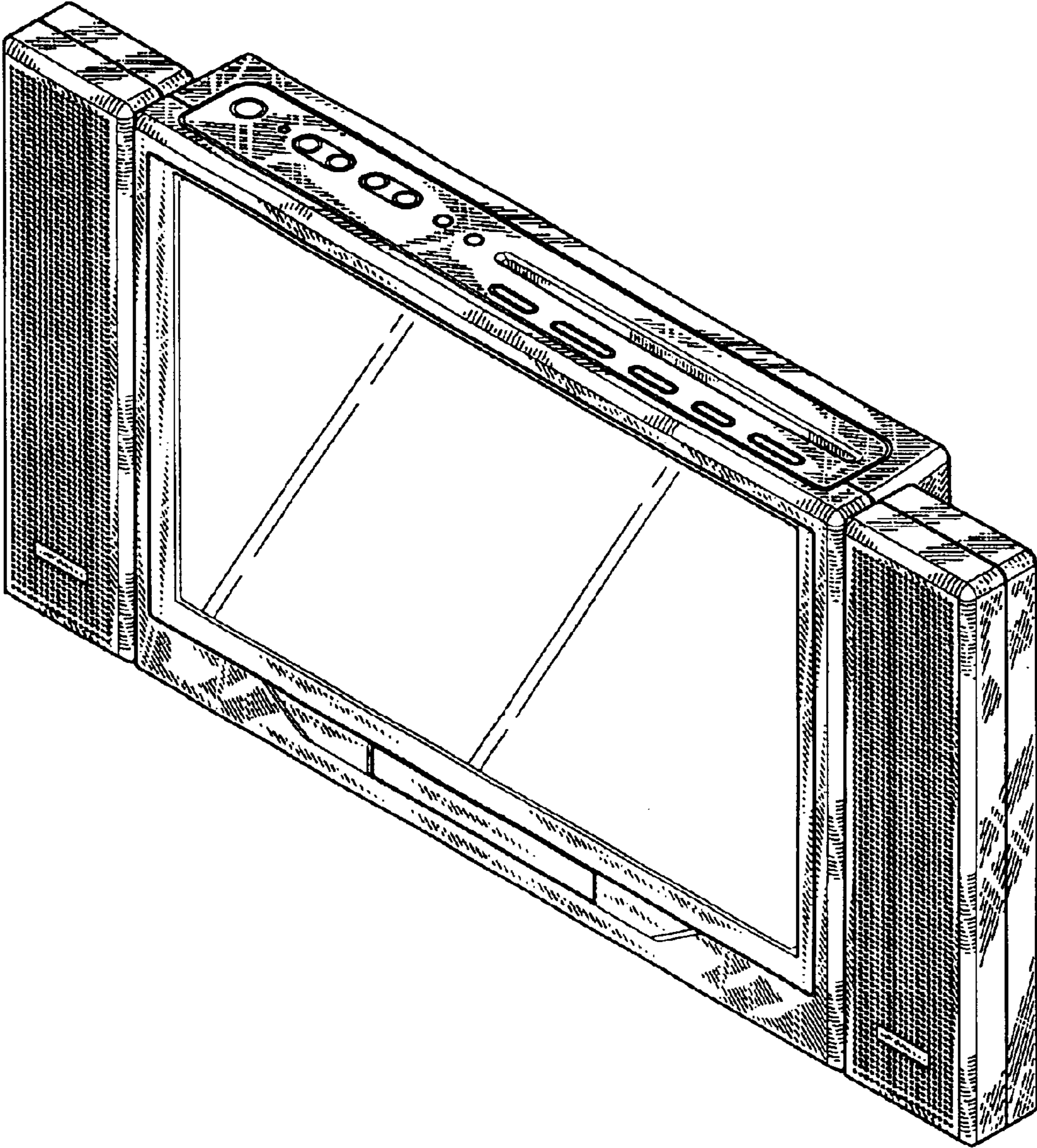


FIG. 1

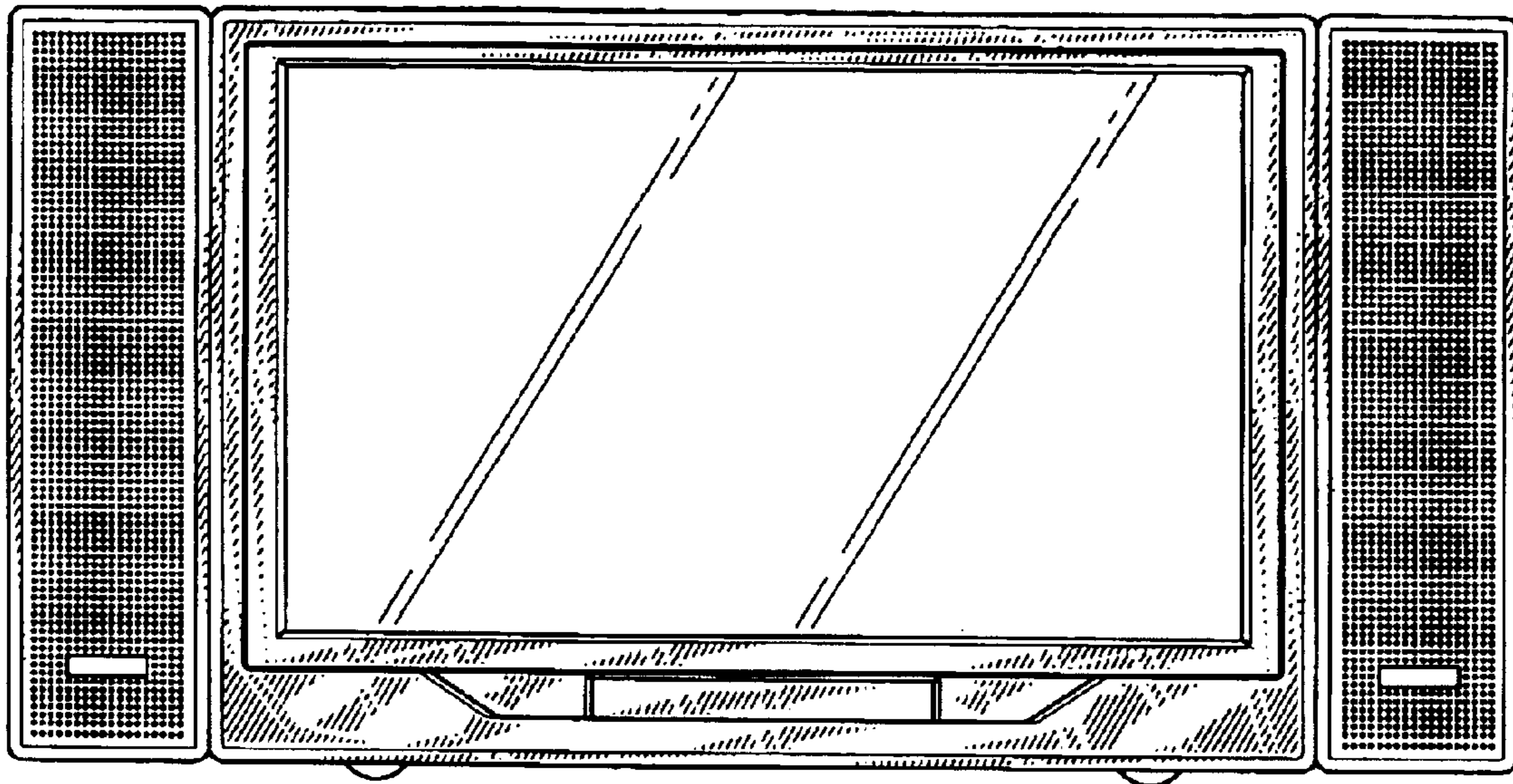


FIG. 2

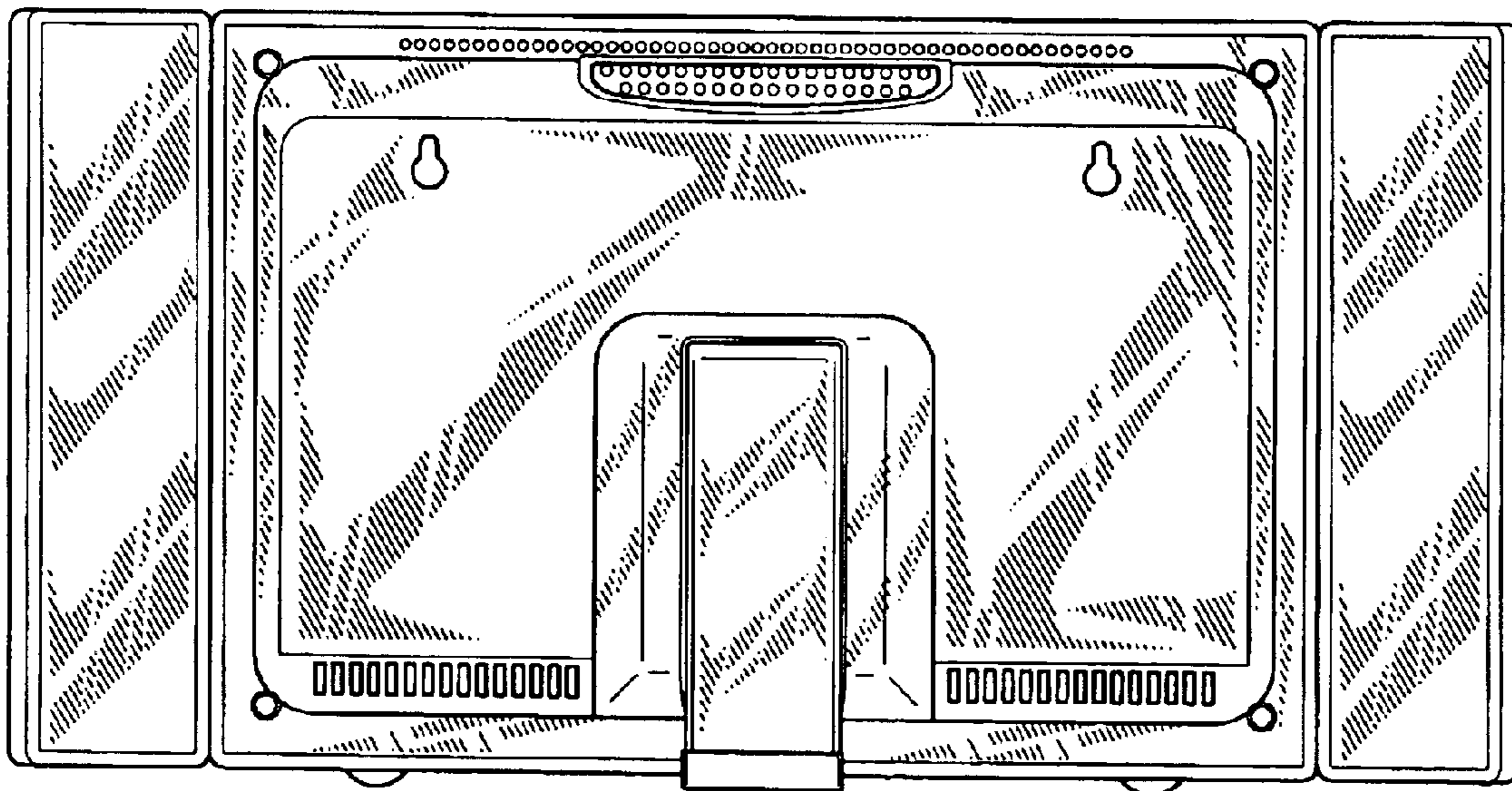


FIG. 3

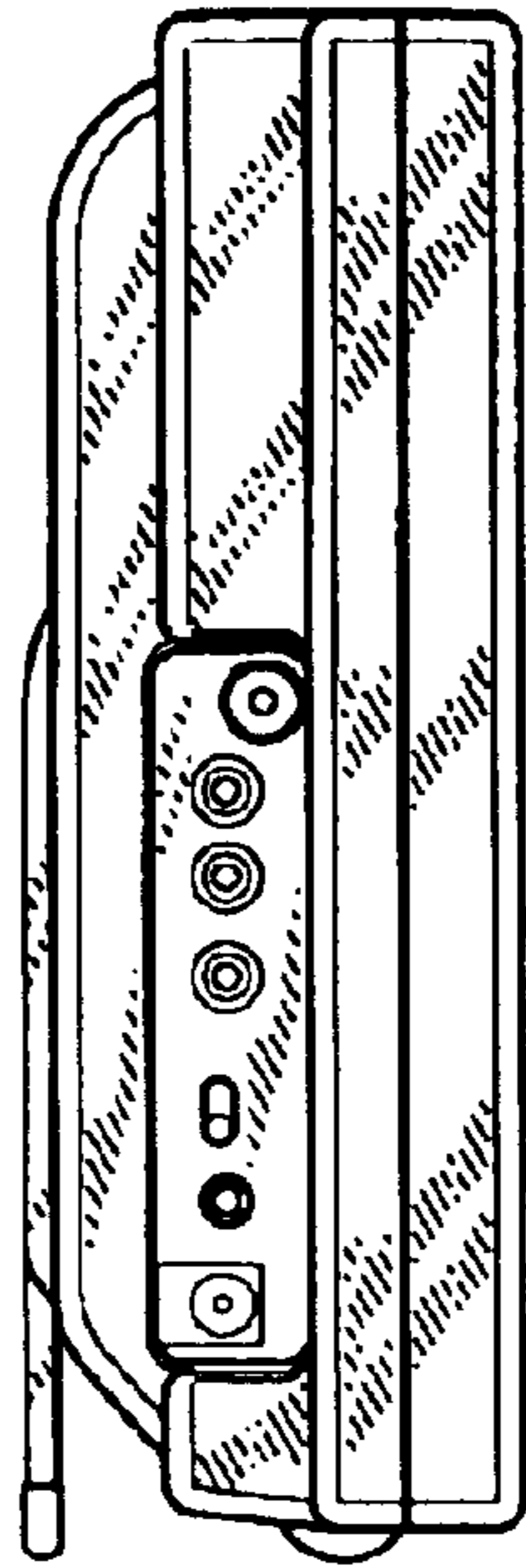


FIG. 4

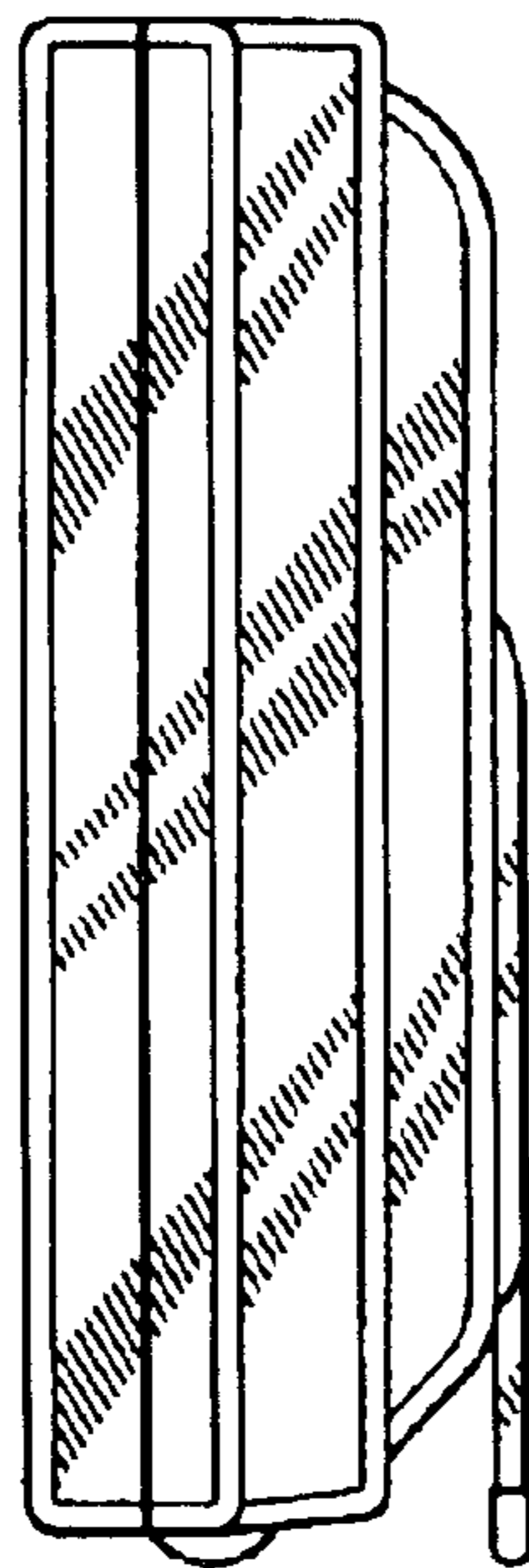


FIG. 5

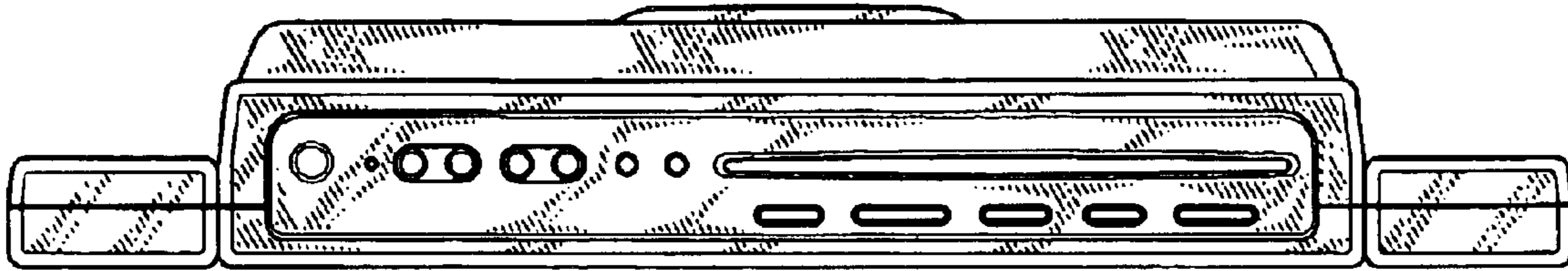


FIG. 6

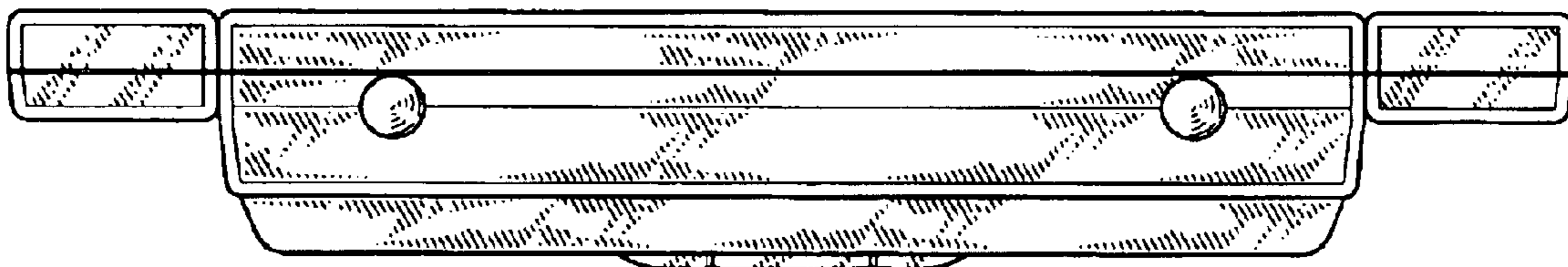


FIG. 7