

US00D502153S

(12) **United States Design Patent**
Peng

(10) **Patent No.:** **US D502,153 S**

(45) **Date of Patent:** **** Feb. 22, 2005**

(54) **VIDEO DISPLAY DEVICE**

(75) **Inventor:** **Juen Tien Peng, Chung Li (TW)**

(73) **Assignee:** **Action Electronics Co., Ltd., Chung Li (TW)**

(**) **Term:** **14 Years**

(21) **Appl. No.:** **29/199,319**

(22) **Filed:** **Feb. 13, 2004**

(30) **Foreign Application Priority Data**

Jan. 5, 2004 (TW) 93300043

(51) **LOC (7) Cl.** **14-03**

(52) **U.S. Cl.** **D14/126**

(58) **Field of Search** D14/125-136,
D14/239, 371, 374-376; 312/7.2; 348/836,
838, 180, 184, 325, 739; 341/12; 248/917-924;
345/104, 133, 156, 168, 87, 173

(56) **References Cited**

U.S. PATENT DOCUMENTS

D432,101 S * 10/2000 Oba D14/126
D439,224 S * 3/2001 Kita D14/126

D439,225 S * 3/2001 Kita D14/126
D453,748 S * 2/2002 Kita D14/134
D456,370 S * 4/2002 Kita D14/126
D476,632 S * 7/2003 Inoue et al. D14/126
D479,209 S * 9/2003 Teng et al. D14/126
D486,131 S * 2/2004 Otsuka D14/126
D494,149 S * 8/2004 Shih D14/134

* cited by examiner

Primary Examiner—Raphael Barkai

(74) *Attorney, Agent, or Firm*—Rosenberg, Klein & Lee

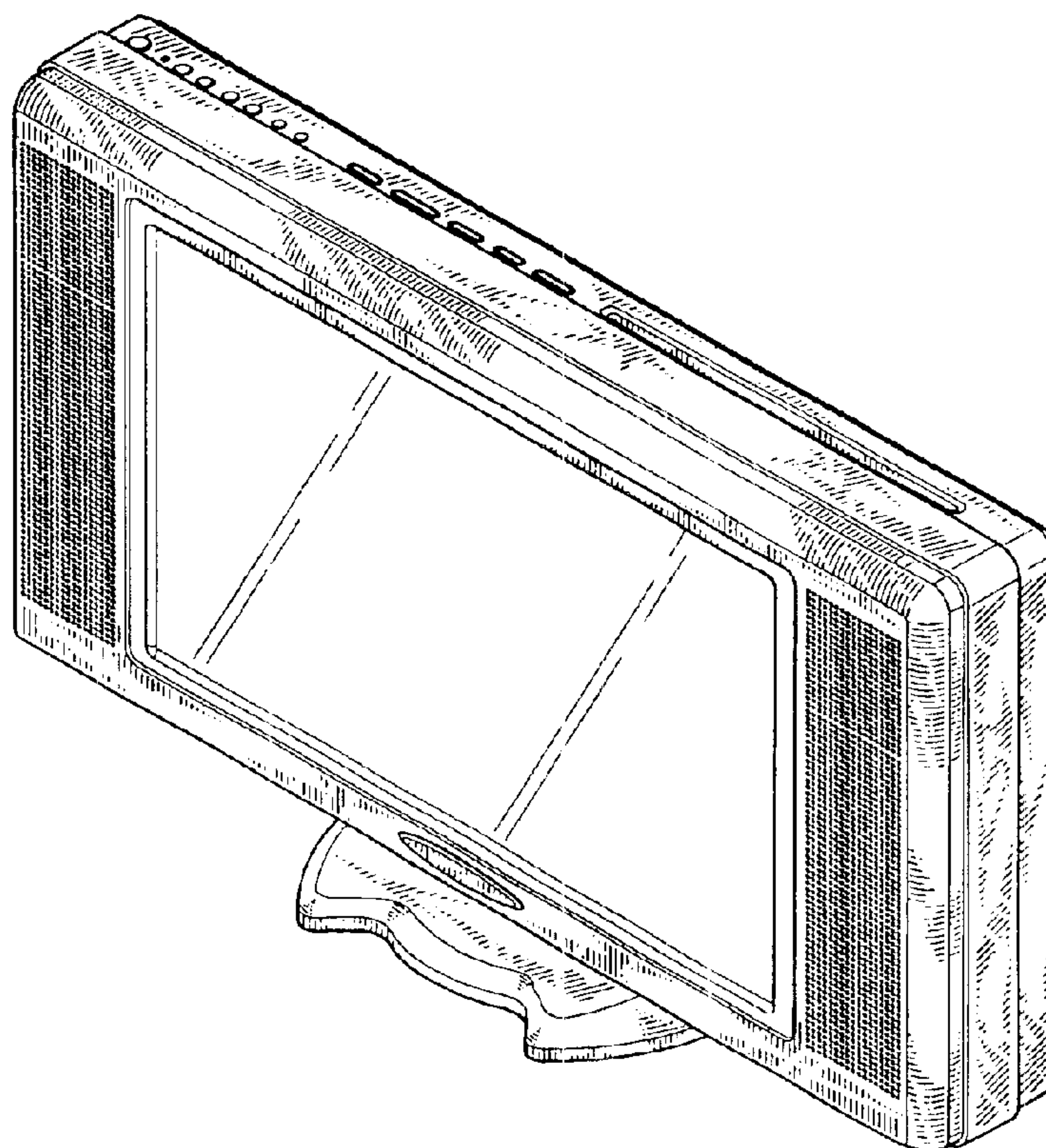
(57) **CLAIM**

The ornamental design of a video display device, as shown in the accompanying drawings.

DESCRIPTION

FIG. 1 is a perspective view of video display device embodying our design;
FIG. 2 is a front elevational view thereof;
FIG. 3 is a rear elevational view thereof;
FIG. 4 is a left elevational view thereof;
FIG. 5 is a right elevational view thereof;
FIG. 6 is a top elevational view thereof; and,
FIG. 7 is a bottom elevational view thereof.

1 Claim, 4 Drawing Sheets



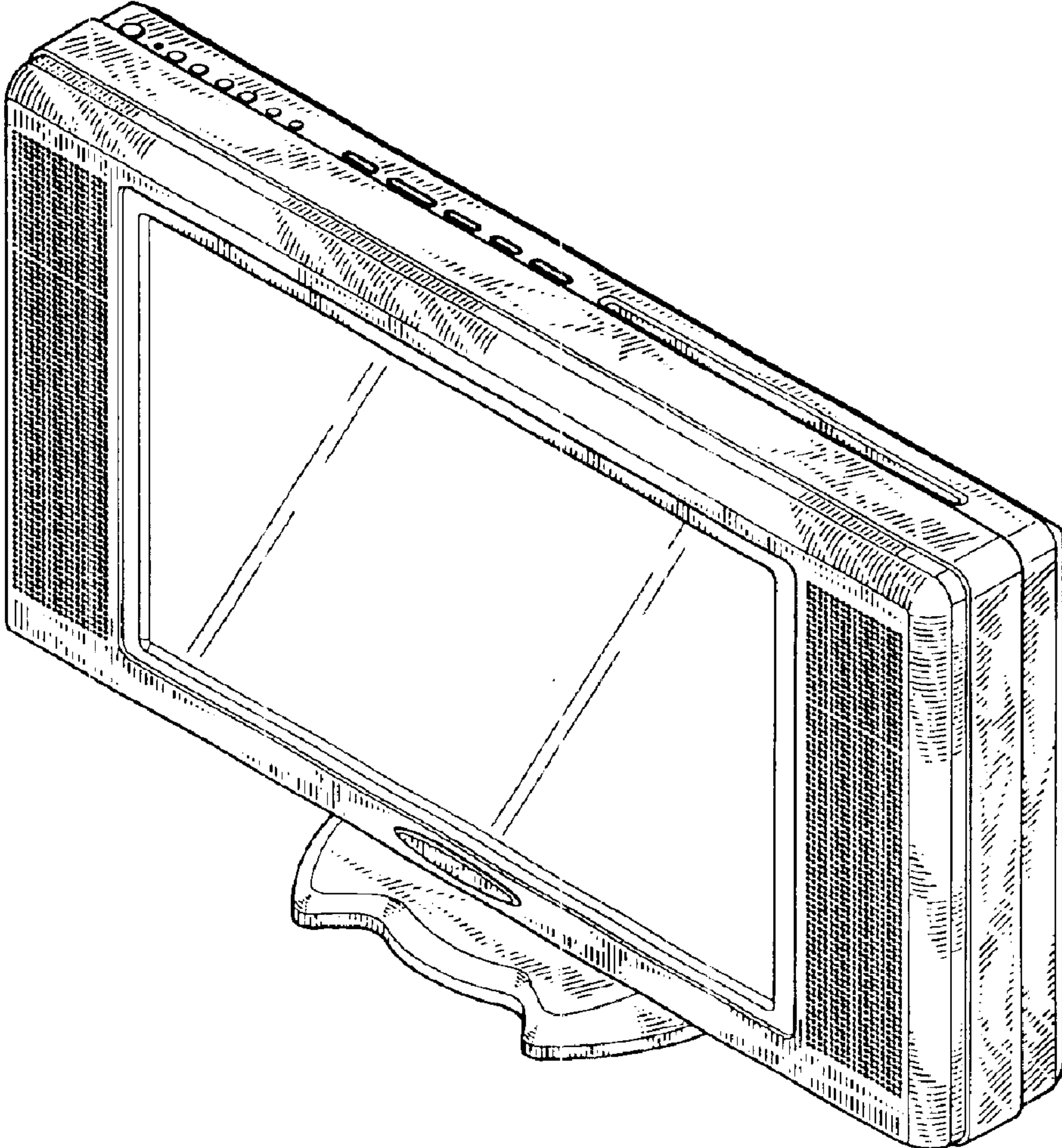


FIG. 1

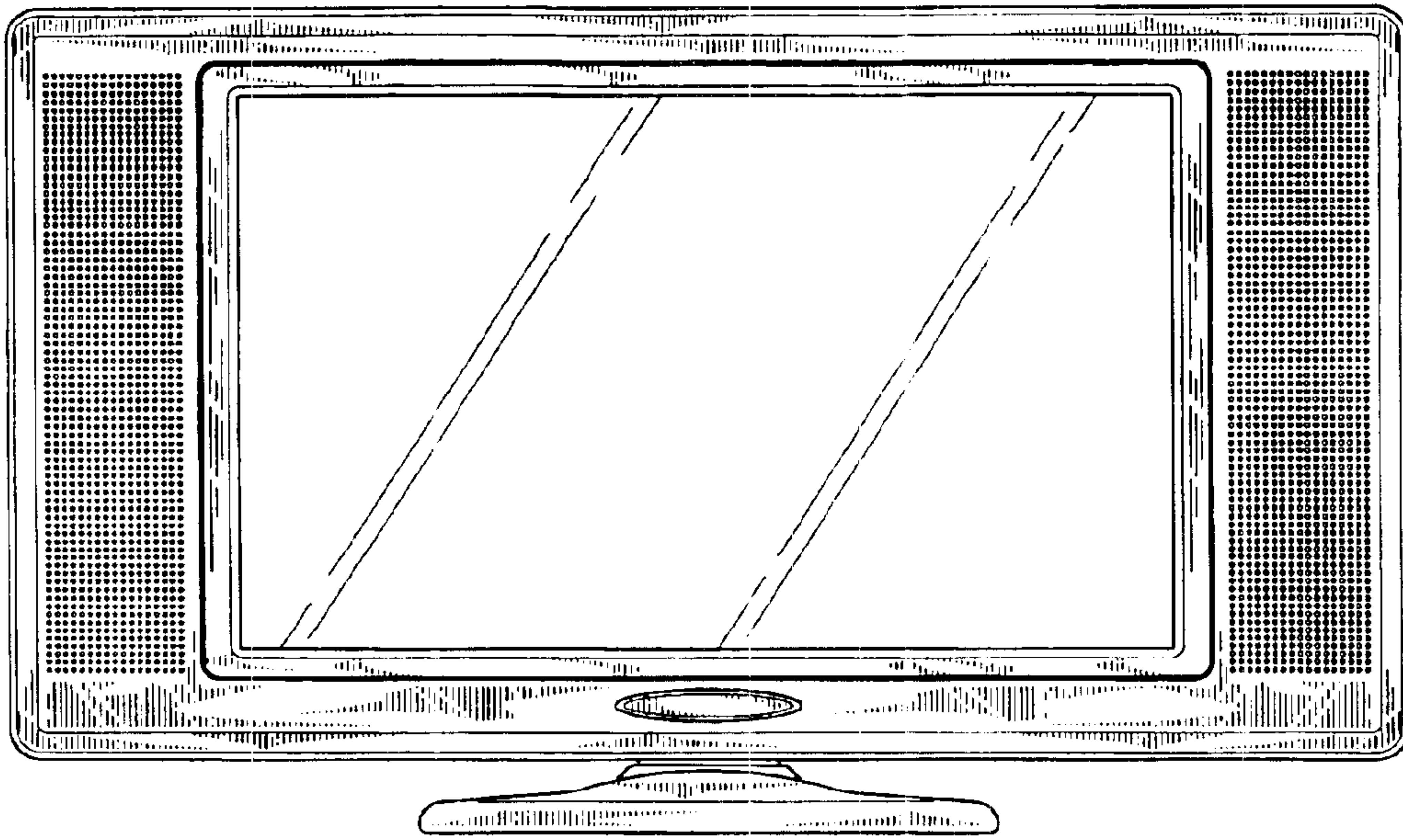


FIG. 2

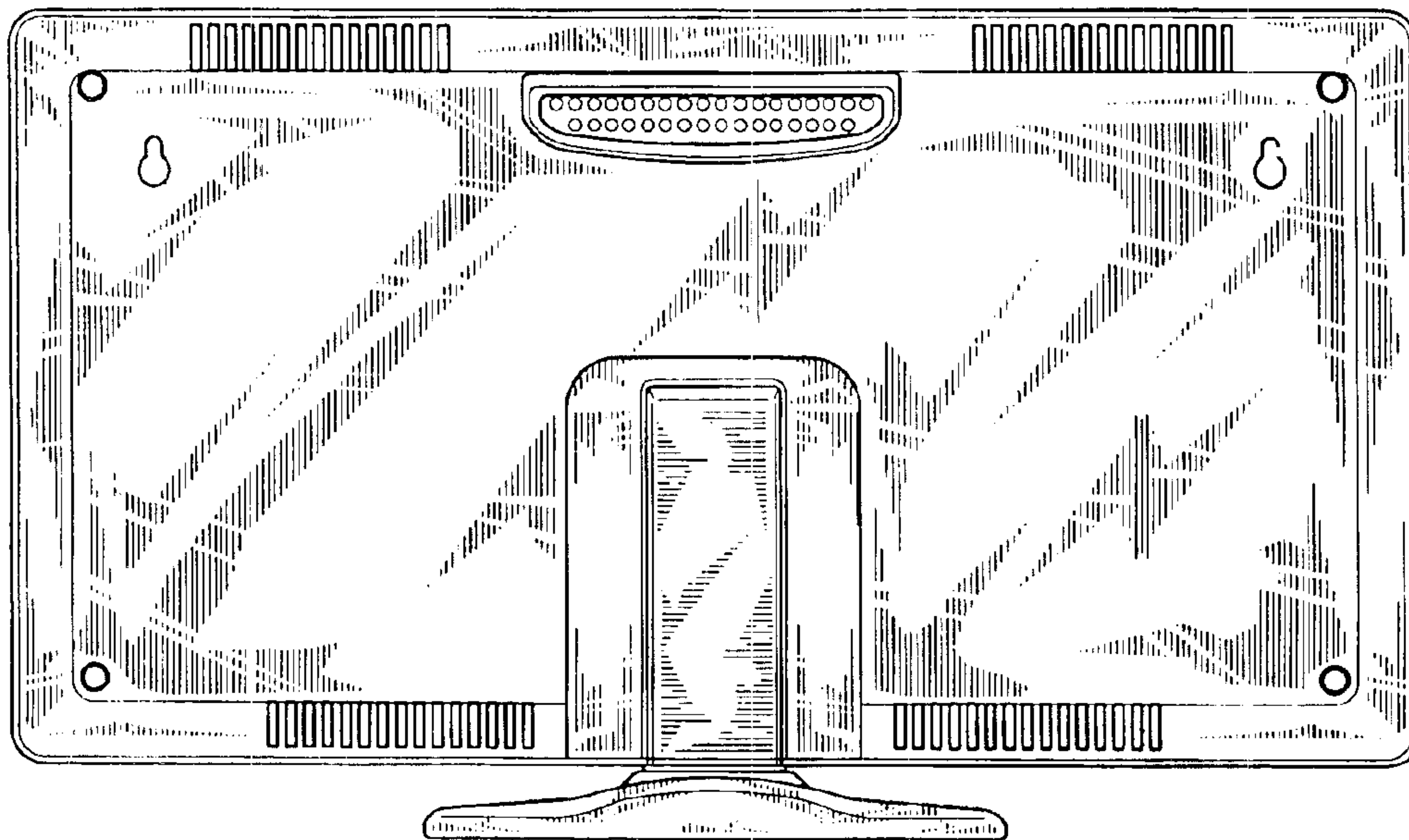


FIG. 3

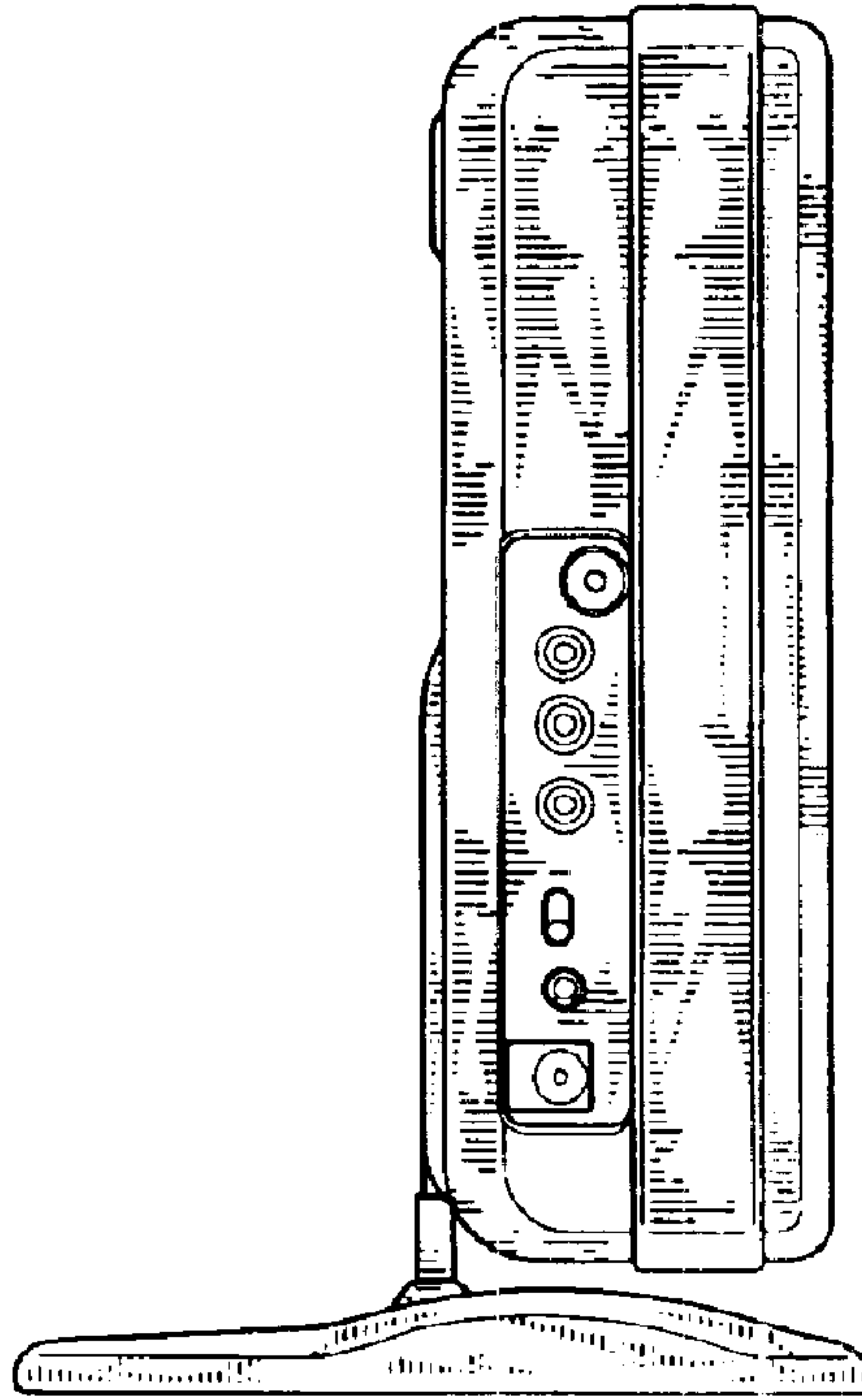


FIG. 4

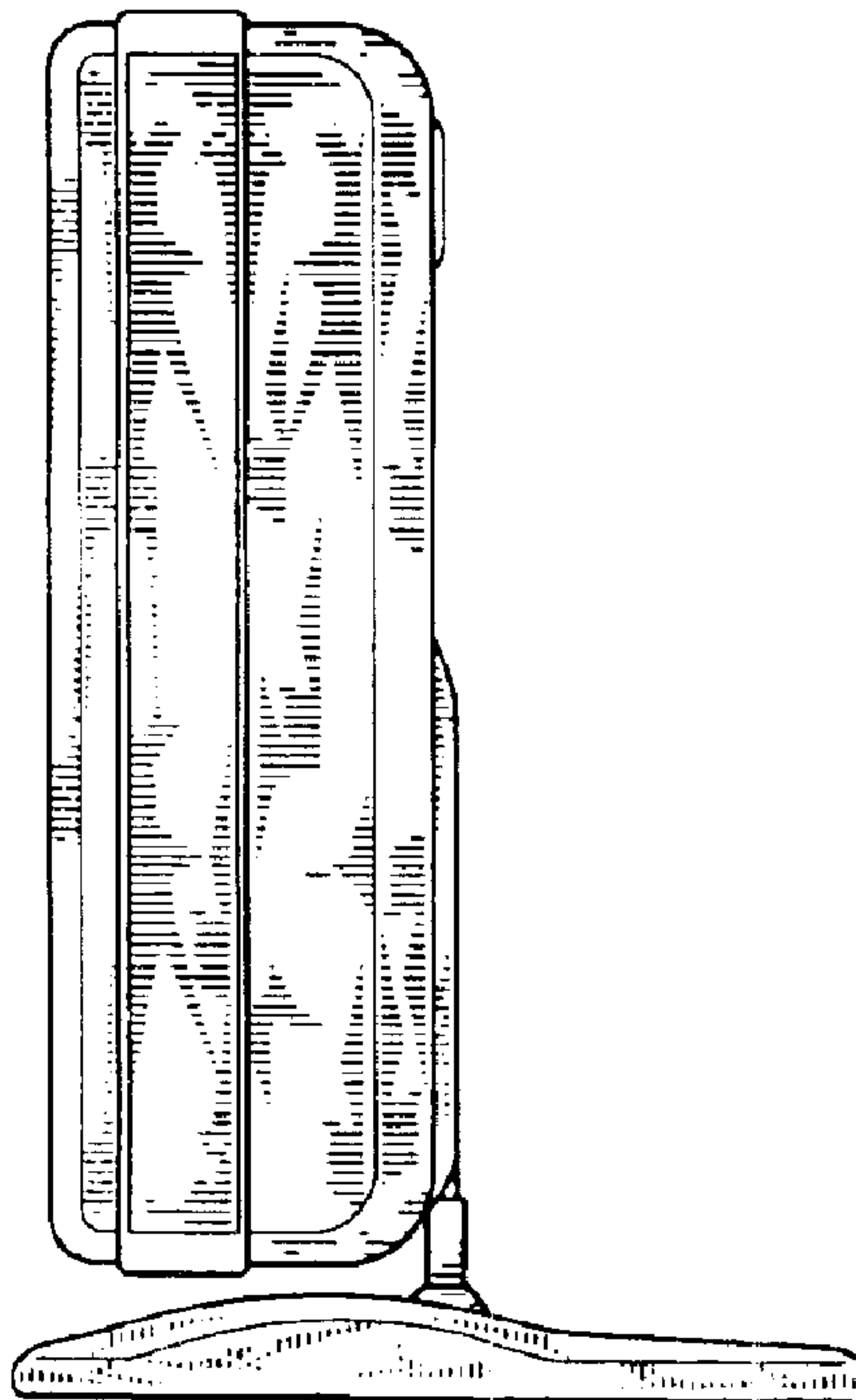


FIG. 5

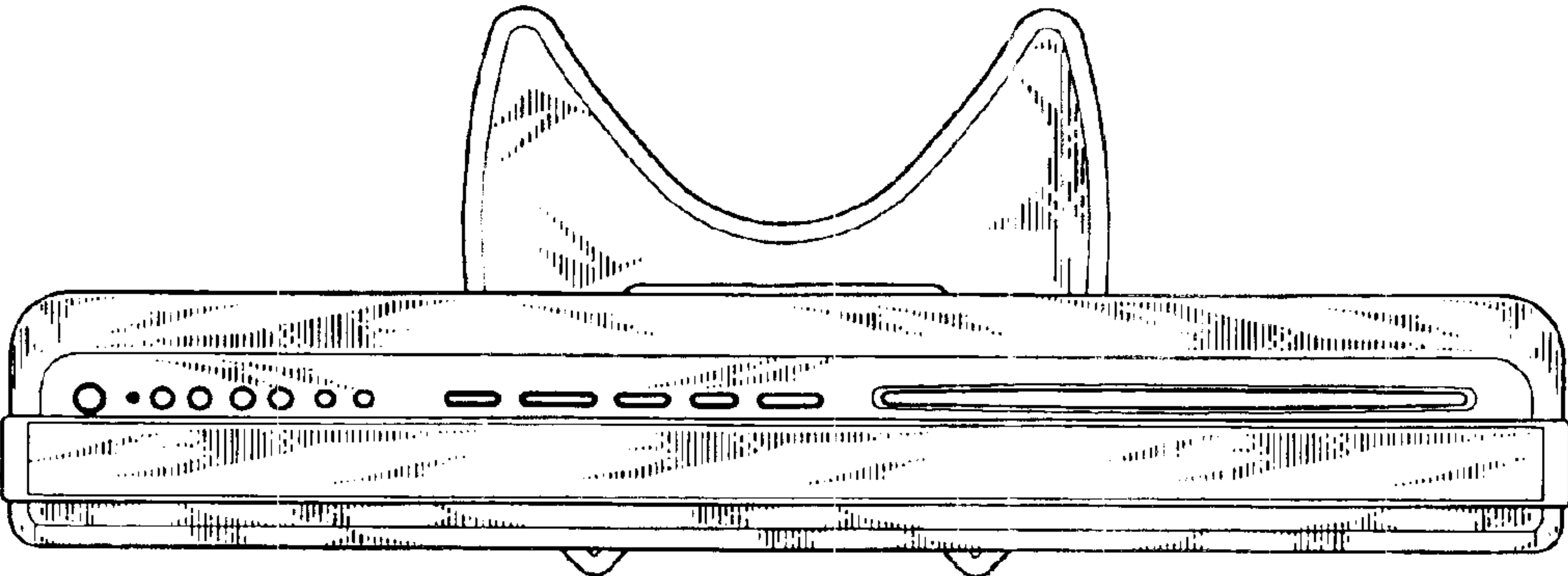


FIG. 6

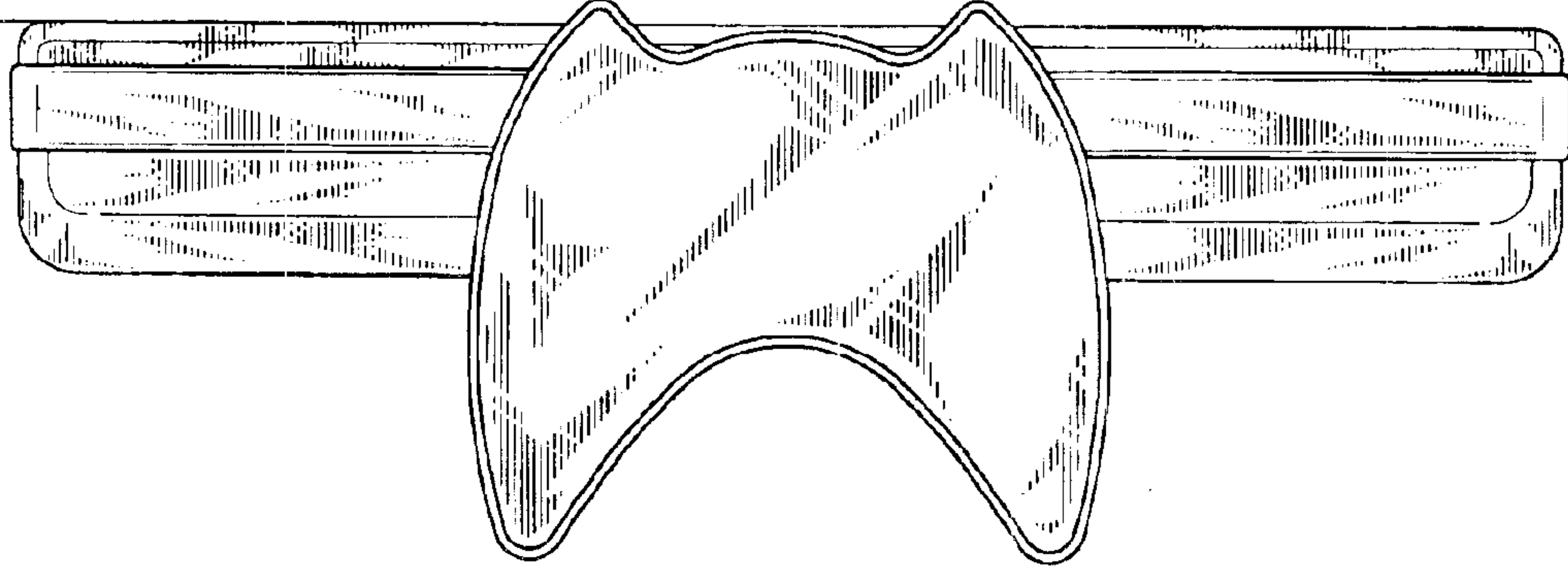


FIG. 7