

US00D502152S

(12) **United States Design Patent**
Peng

(10) **Patent No.:** **US D502,152 S**

(45) **Date of Patent:** **** Feb. 22, 2005**

(54) **VIDEO DISPLAY DEVICE**

(75) **Inventor:** **Juen Tien Peng, Chung Li (TW)**

(73) **Assignee:** **Action Electronics Co., Ltd., Chung Li (TW)**

(**) **Term:** **14 Years**

(21) **Appl. No.:** **29/199,318**

(22) **Filed:** **Feb. 13, 2004**

(30) **Foreign Application Priority Data**

Jan. 5, 2004 (TW) 93300042

(51) **LOC (7) Cl.** **14-03**

(52) **U.S. Cl.** **D14/126**

(58) **Field of Search** D14/125-134,
D14/239, 371, 374-376; 312/7.2; 348/836,
838, 180, 184, 325, 739; 341/12; 248/917-924,
465; 345/104, 133, 156, 168, 87, 173

(56) **References Cited**

U.S. PATENT DOCUMENTS

527,694 A * 10/1894 Jones 248/465

D394,248 S * 5/1998 Duan D14/375

D414,164 S * 9/1999 Rorke et al. D14/374

D415,147 S * 10/1999 Adachi D14/132

D427,169 S * 6/2000 Saeki et al. D14/126

D494,553 S * 8/2004 Yang D14/126

* cited by examiner

Primary Examiner—Raphael Barkai

(74) *Attorney, Agent, or Firm*—Rosenberg, Klein & Lee

(57) **CLAIM**

The ornamental design of a video display device, as shown in the accompanying drawings.

DESCRIPTION

FIG. 1 is a perspective view of video display device embodying our design;

FIG. 2 is a front elevational view thereof;

FIG. 3 is a rear elevational view thereof;

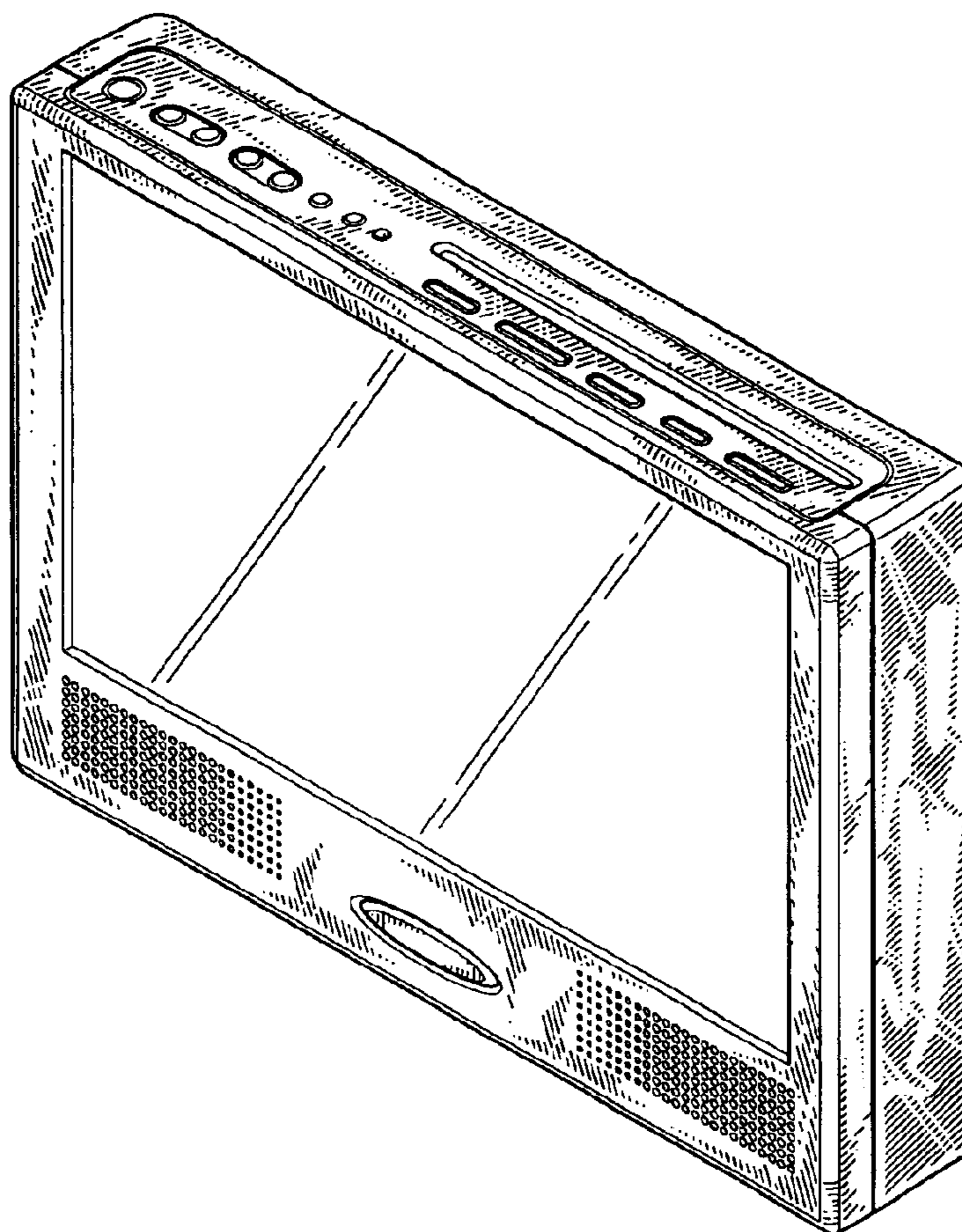
FIG. 4 is a left elevational view thereof;

FIG. 5 is a right elevational view thereof;

FIG. 6 is a top elevational view thereof; and,

FIG. 7 is a bottom elevational view thereof.

1 Claim, 4 Drawing Sheets



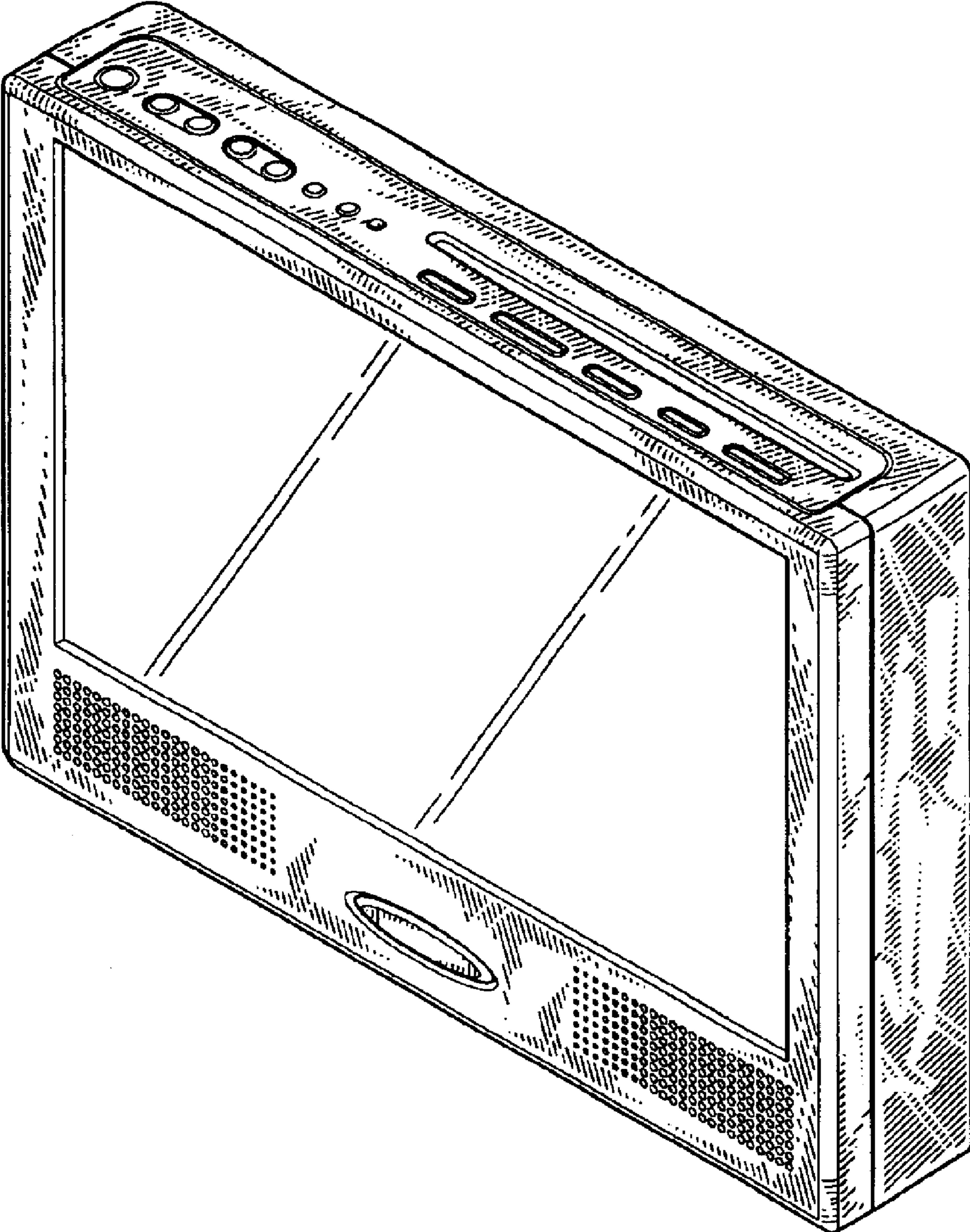


FIG.1

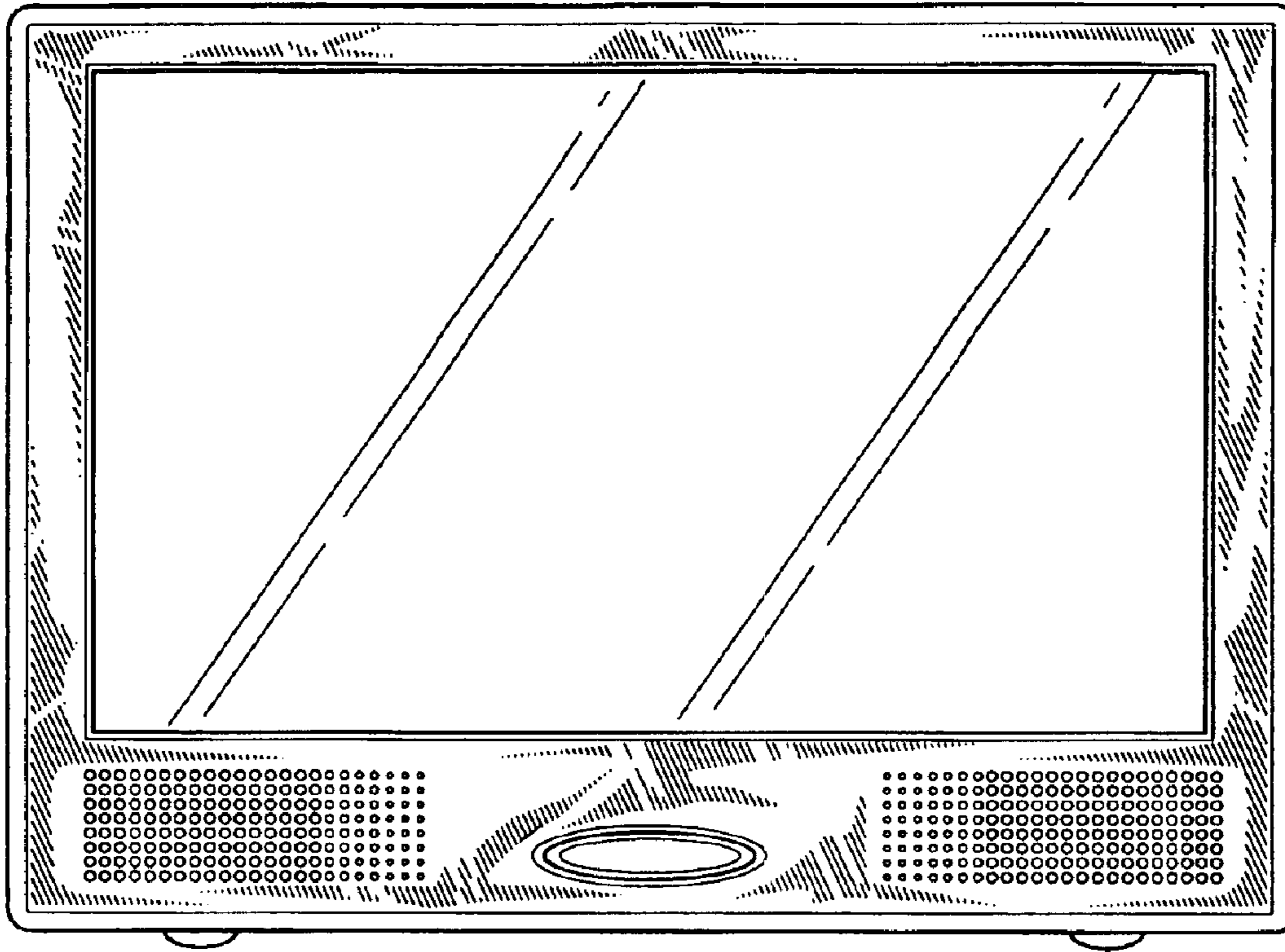


FIG. 2

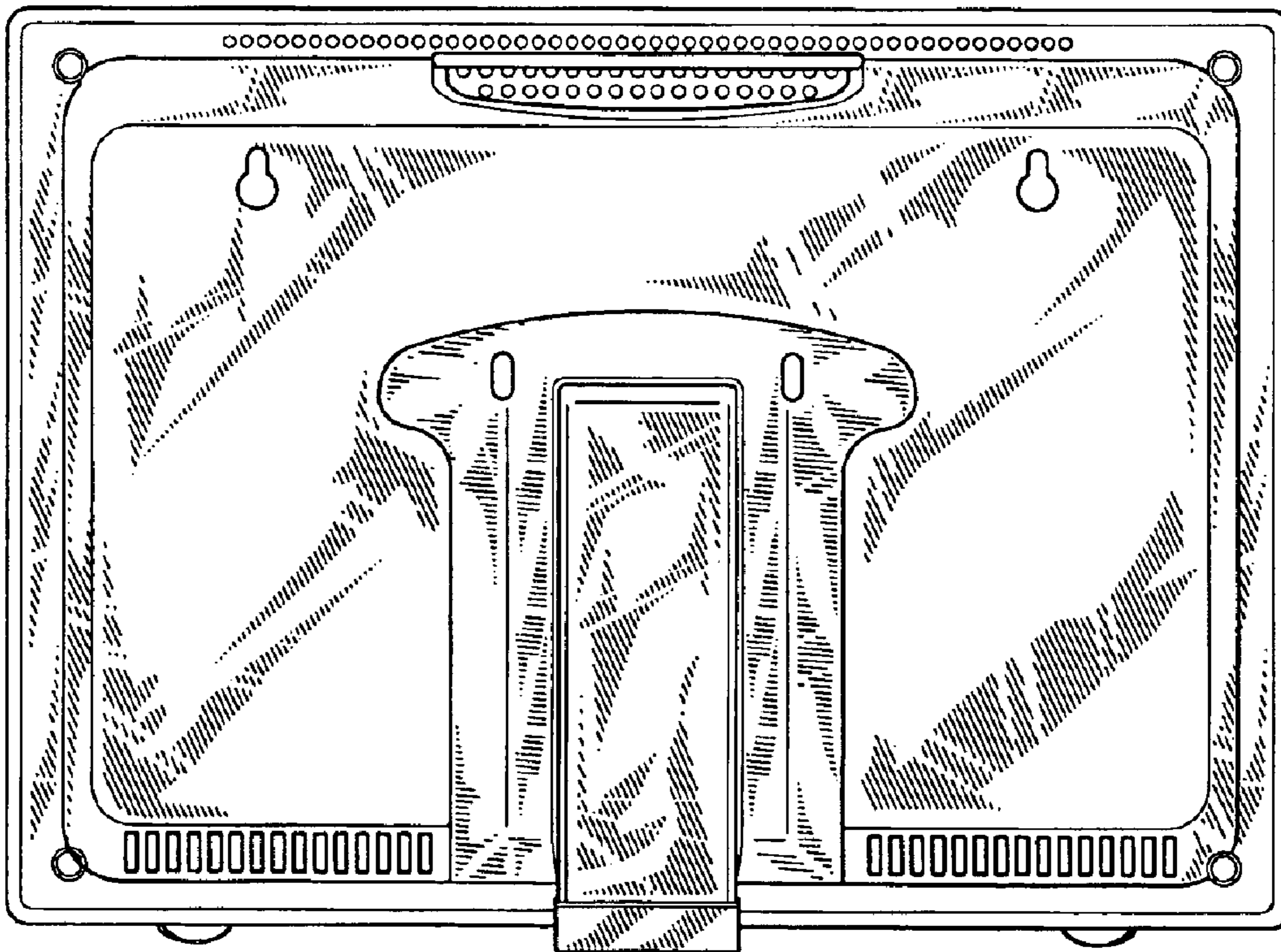


FIG. 3

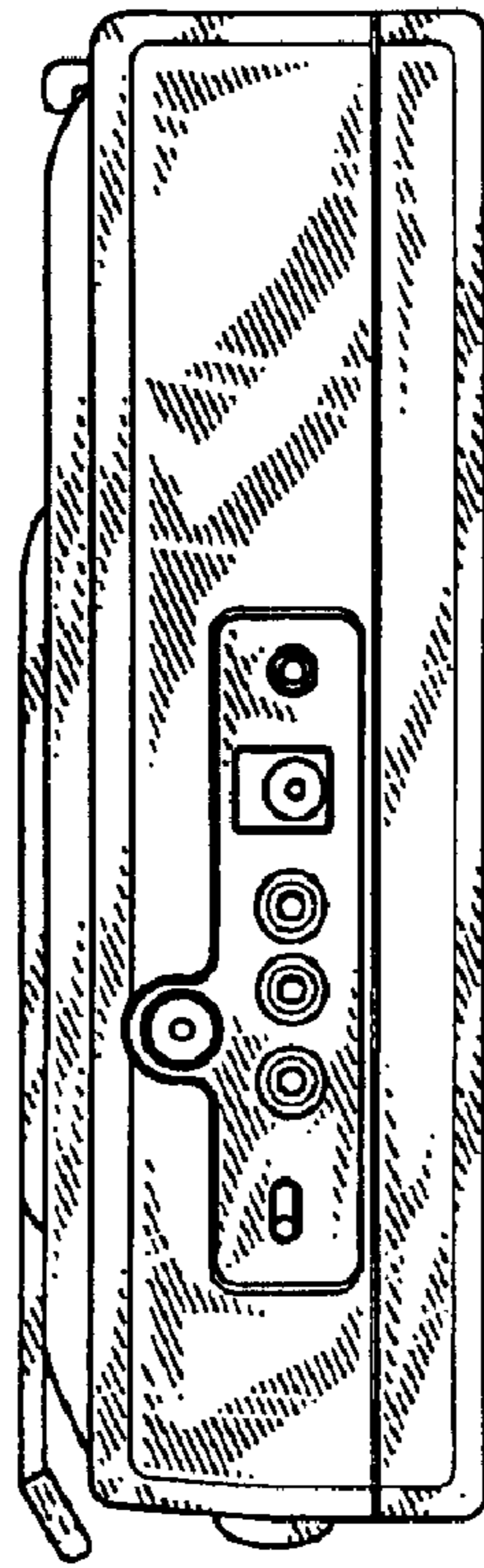


FIG. 4



FIG. 5

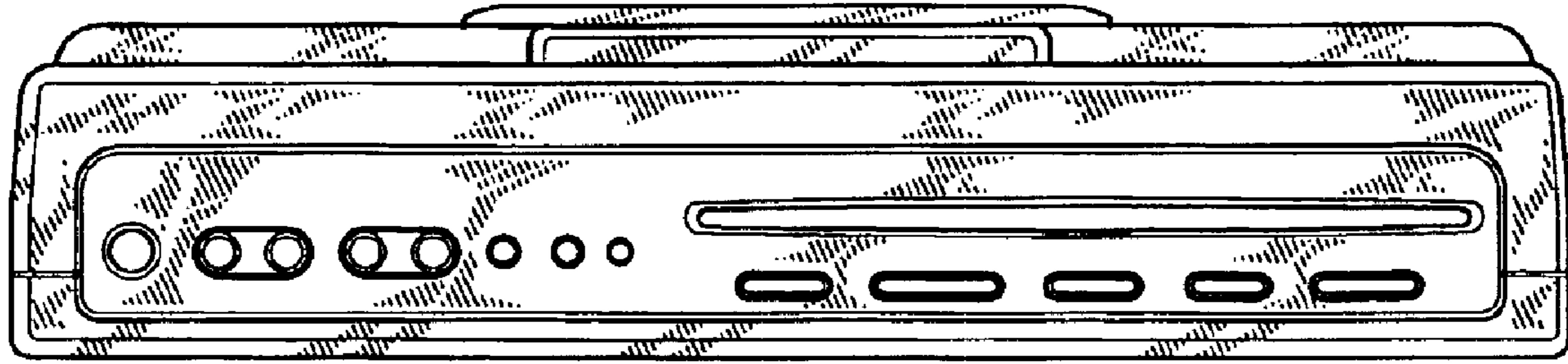


FIG. 6

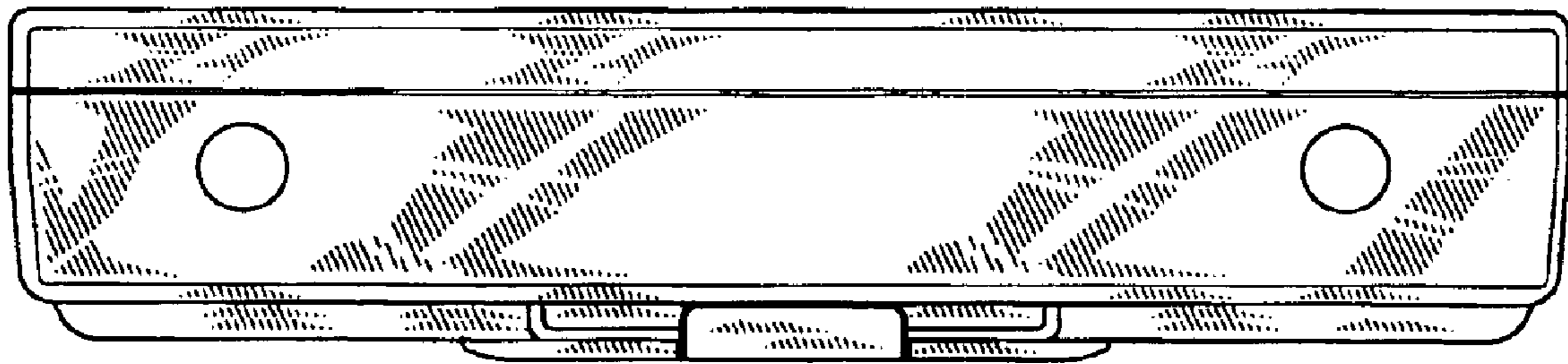


FIG. 7