

US00D502150S

(12) **United States Design Patent** (10) **Patent No.:** **US D502,150 S**
Suenaga (45) **Date of Patent:** **** Feb. 22, 2005**

(54) **LIGHT EMITTING DIODE**
(75) **Inventor:** **Ryoma Suenaga, Komatsushima (JP)**
(73) **Assignee:** **Nichia Corporation, Anan (JP)**
(**) **Term:** **14 Years**

6,061,160 A 5/2000 Maruyama
D432,095 S 10/2000 Seeger et al.
D439,351 S * 3/2001 Kiba et al. D26/37
6,386,733 B1 * 5/2002 Ohkohdo et al. 362/249
6,459,130 B1 * 10/2002 Arndt et al. 257/432
D487,254 S * 3/2004 Suenaga D13/182

(21) **Appl. No.:** **29/195,672**
(22) **Filed:** **Dec. 17, 2003**

FOREIGN PATENT DOCUMENTS

JP D1046565-2 S 8/1999
JP D1146343 S 7/2002

* cited by examiner

Related U.S. Application Data

(62) Division of application No. 29/171,545, filed on Nov. 25, 2002, now Pat. No. Des. 487,254.

Primary Examiner—Philip S. Hyder
Assistant Examiner—Selina Sikder
(74) *Attorney, Agent, or Firm*—Smith Patent Office

(30) **Foreign Application Priority Data**

May 24, 2002 (JP) 2002-013922
May 24, 2002 (JP) 2002-013923
May 24, 2002 (JP) 2002-013924
May 24, 2002 (JP) 2002-013925
May 24, 2002 (JP) 2002-013926

(57) **CLAIM**

I claim the ornamental design for the light emitting diode, as shown and described.

(51) **LOC (7) Cl.** **13-03**
(52) **U.S. Cl.** **D13/180**
(58) **Field of Search** D13/180, 182;
D10/104; D26/2; 257/80, 433; 313/113,
315, 317, 318, 493, 500; 345/83; 372/45;
362/231, 235, 237, 240, 241, 249, 245,
555, 800; 439/557, 620

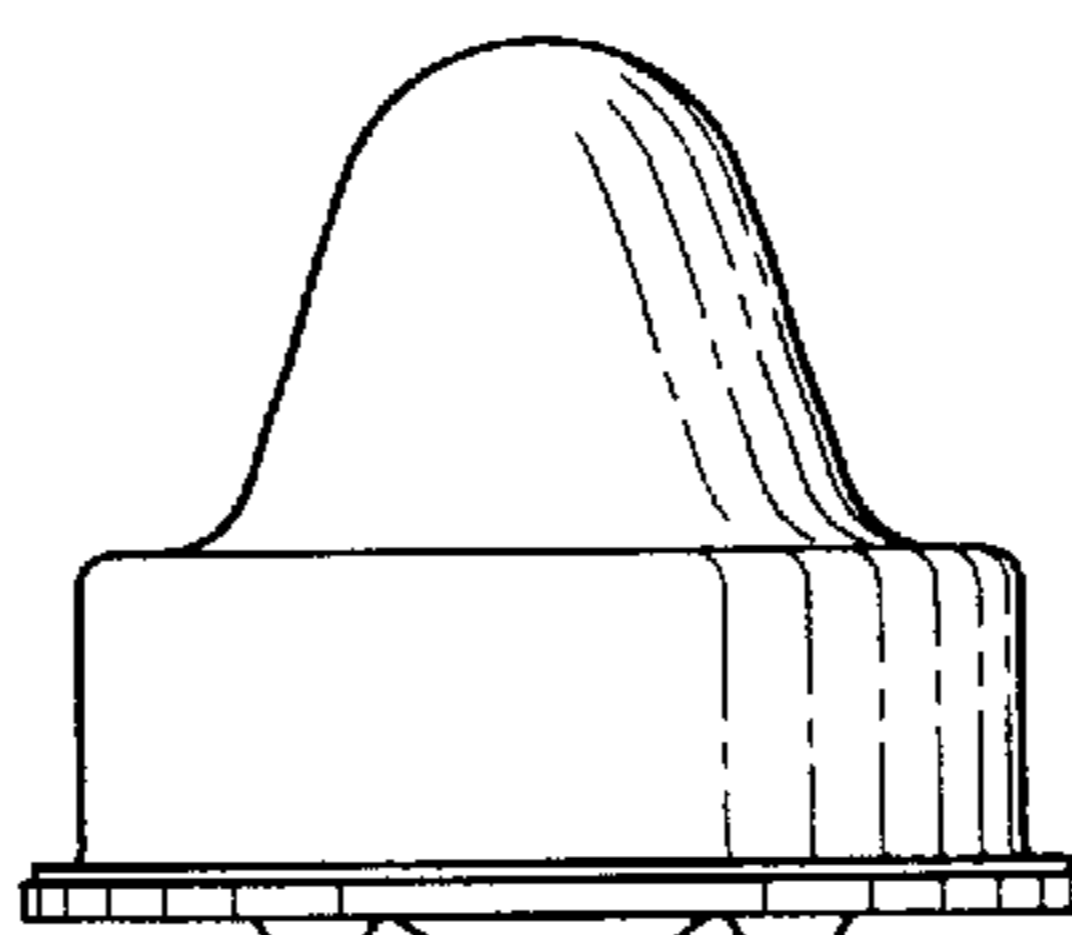
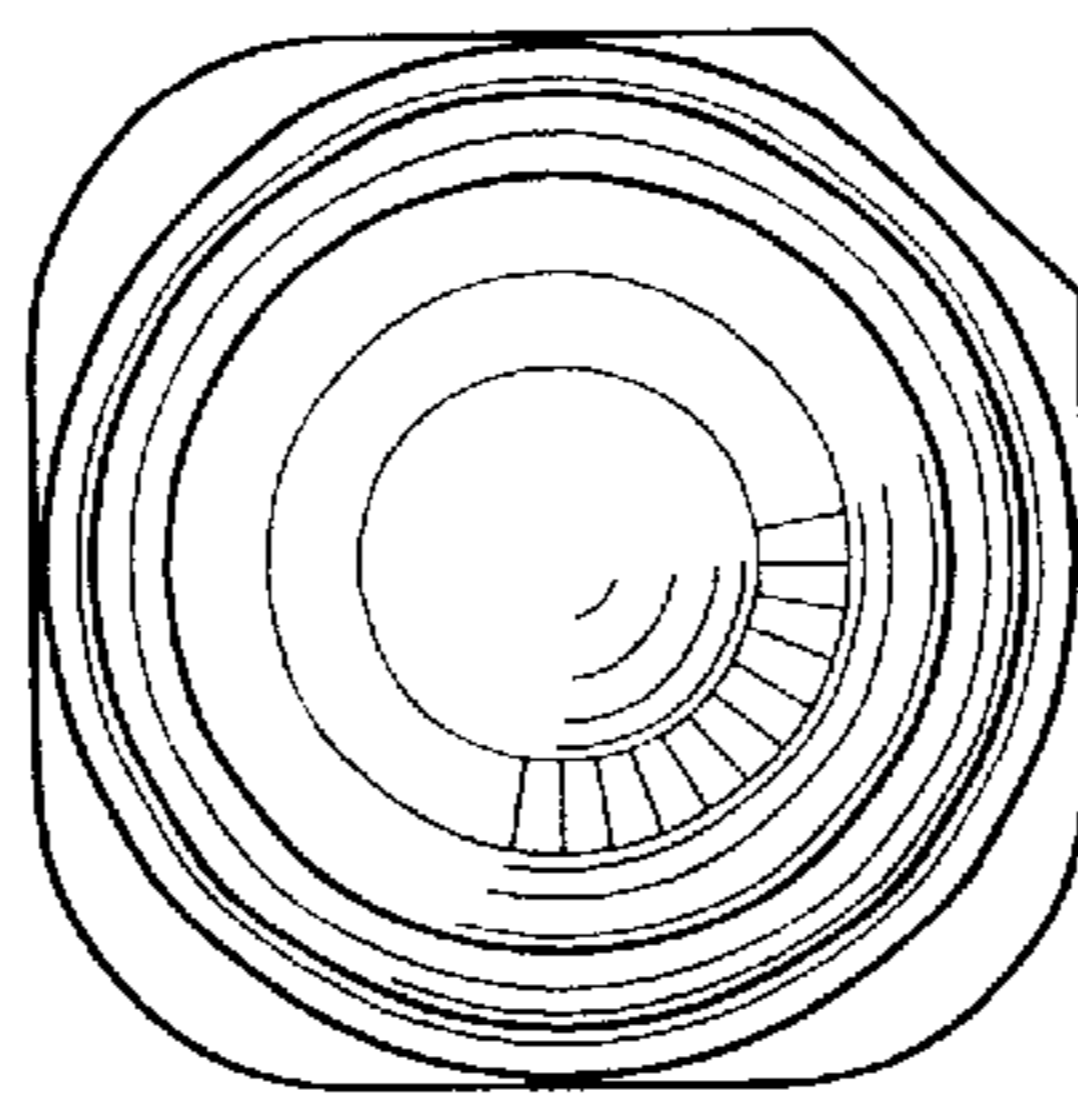
DESCRIPTION

FIG. 1 is a top view of a light emitting diode showing my new design;
FIG. 2 is a left view of the light emitting diode according to the embodiment of FIG. 1;
FIG. 3 is a front elevational view of the light emitting diode according to the embodiment of FIG. 1;
FIG. 4 is a right view of the light emitting diode according to the embodiment of FIG. 1;
FIG. 5 is a bottom view of the light emitting diode according to the embodiment of FIG. 1; and,
FIG. 6 is a rear view of the light emitting diode being rotated 180° from a standard orthogonal projection according to the embodiment of FIG. 1.

(56) **References Cited**
U.S. PATENT DOCUMENTS

D356,778 S 3/1995 Takeda et al.
D359,476 S 6/1995 Sakashita et al.
5,746,500 A 5/1998 Chien
RE36,614 E 3/2000 Lombard et al.

1 Claim, 1 Drawing Sheet



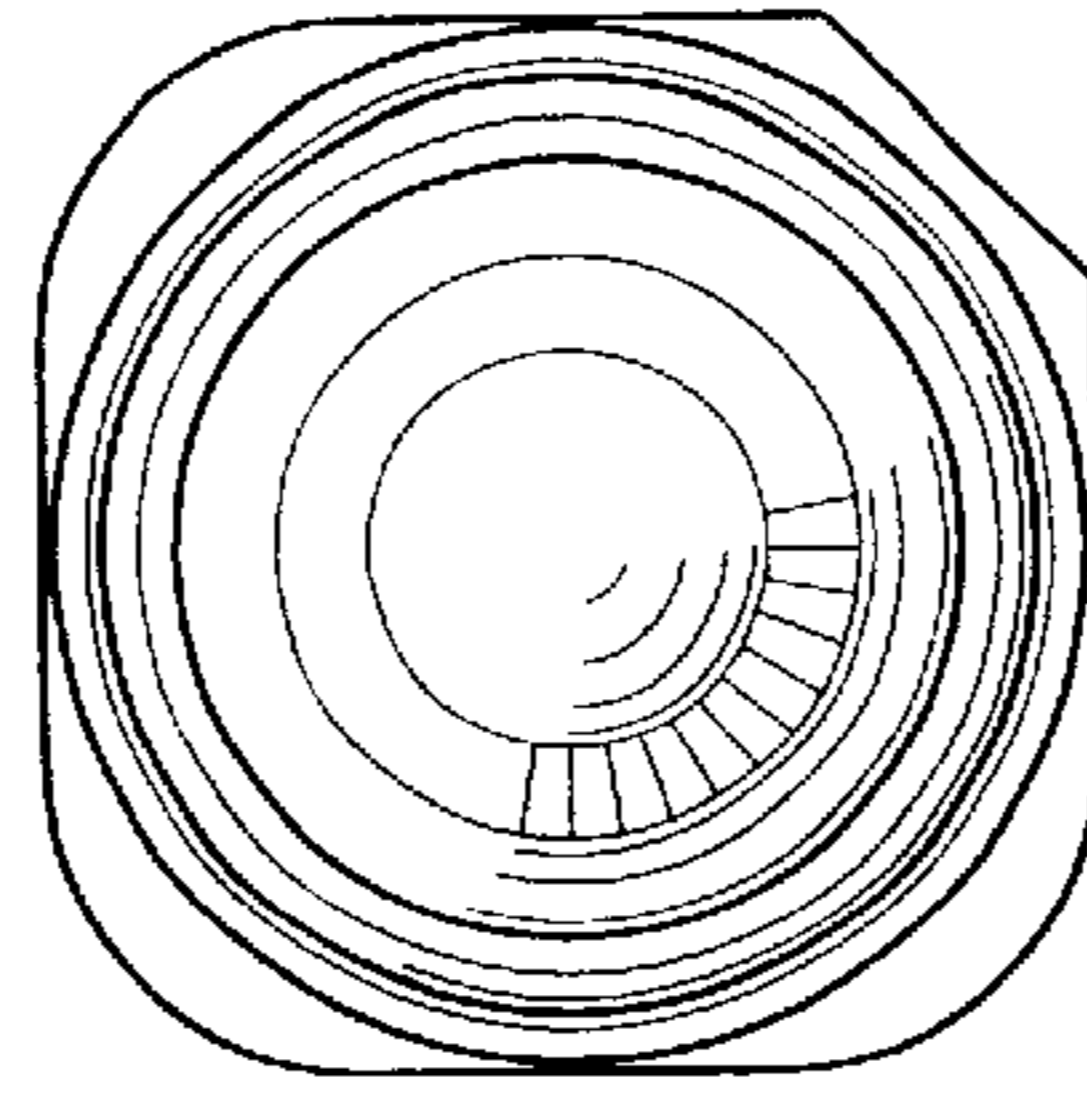


FIG. 1

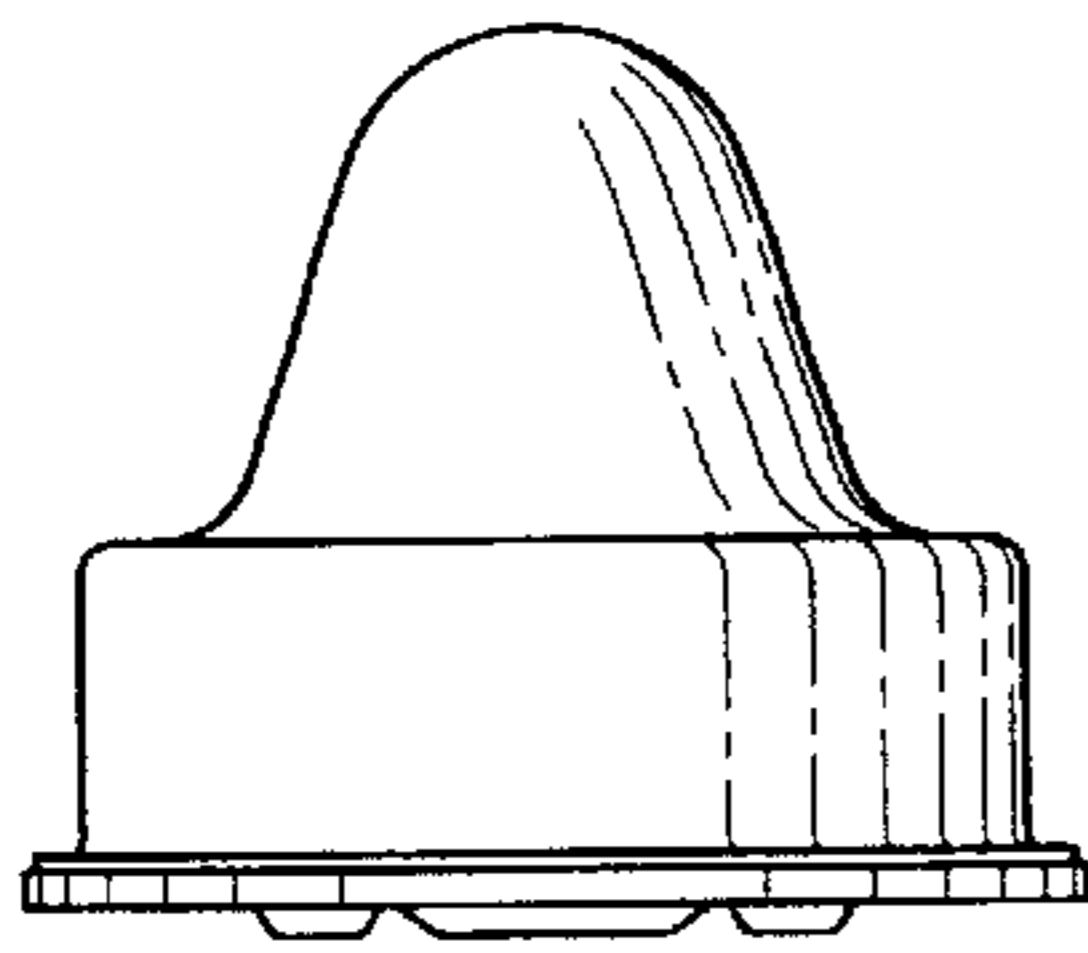


FIG. 2

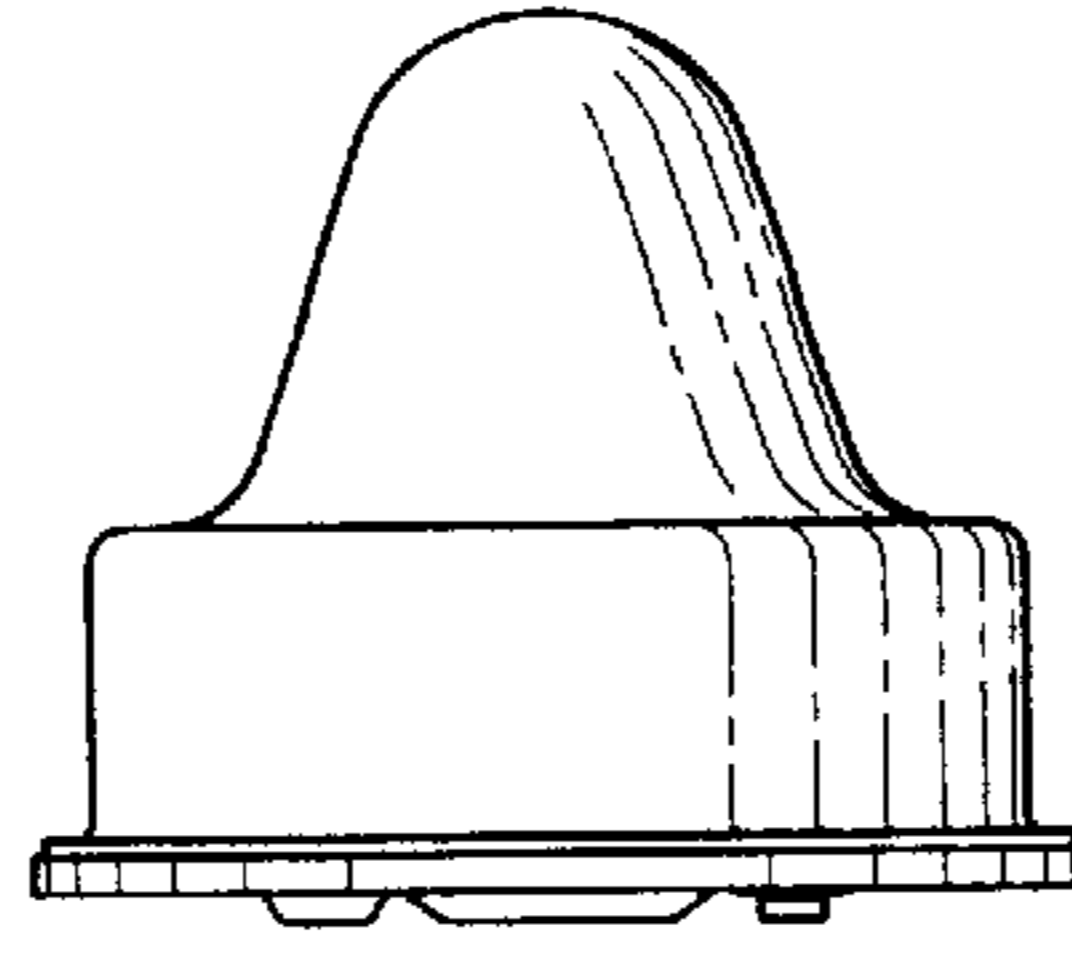


FIG. 3

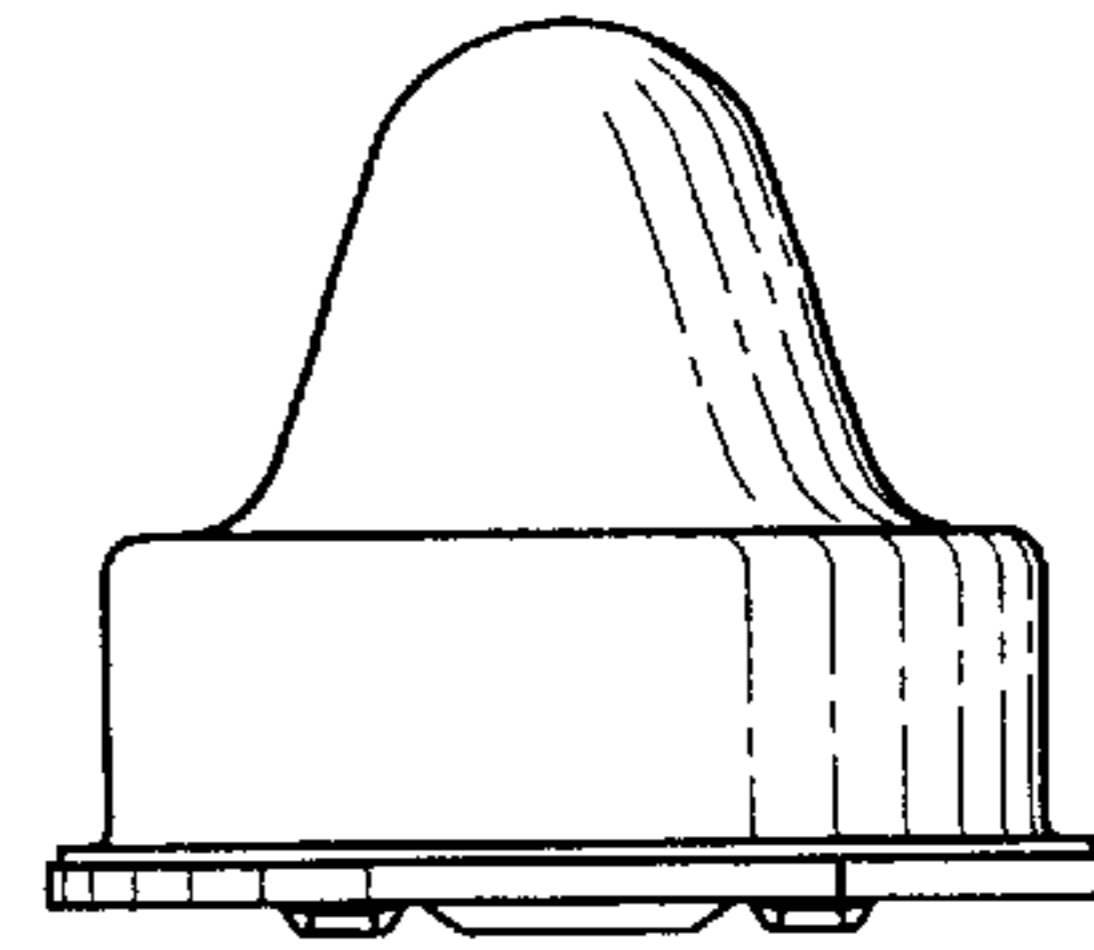


FIG. 4

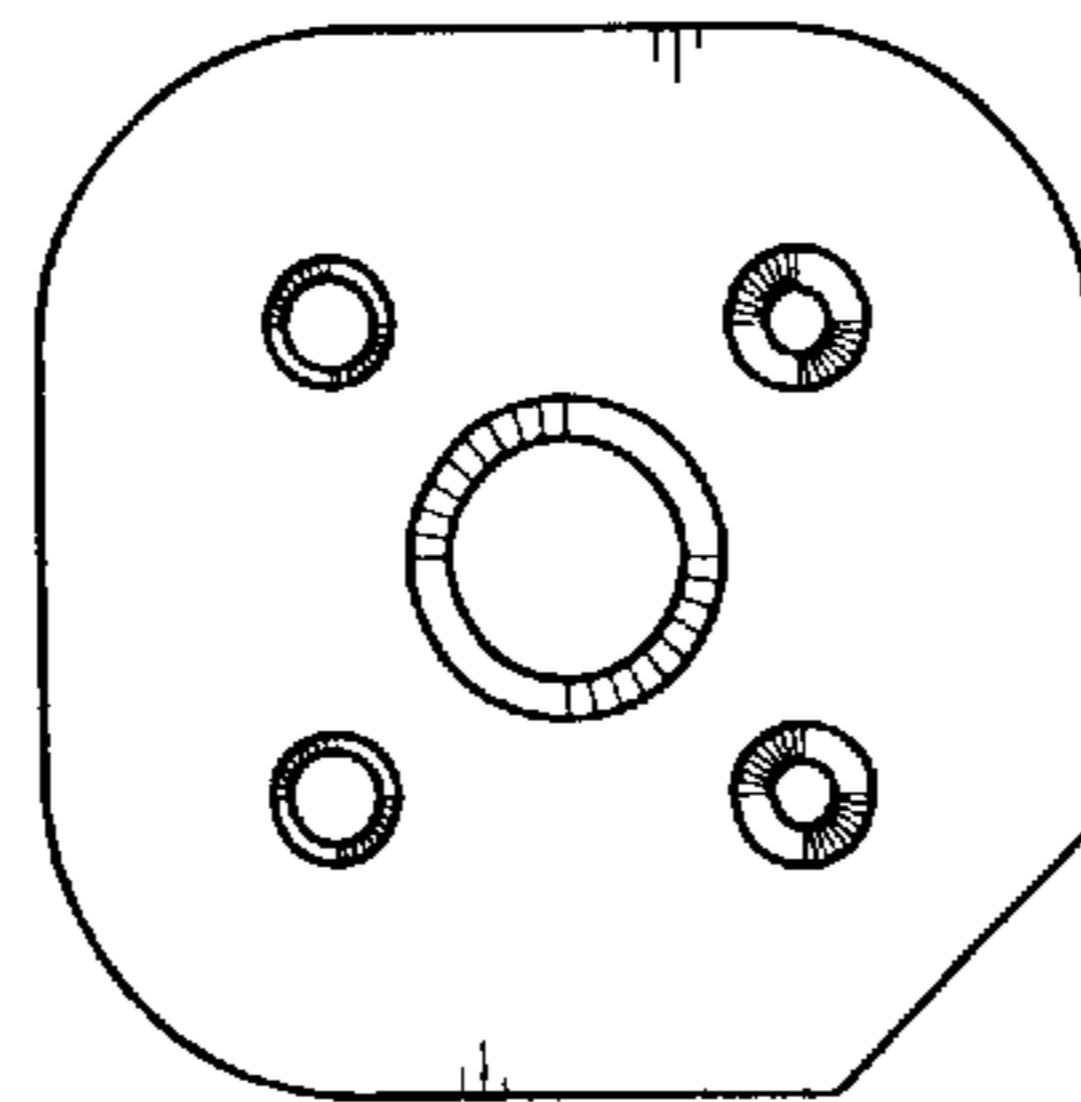


FIG. 5

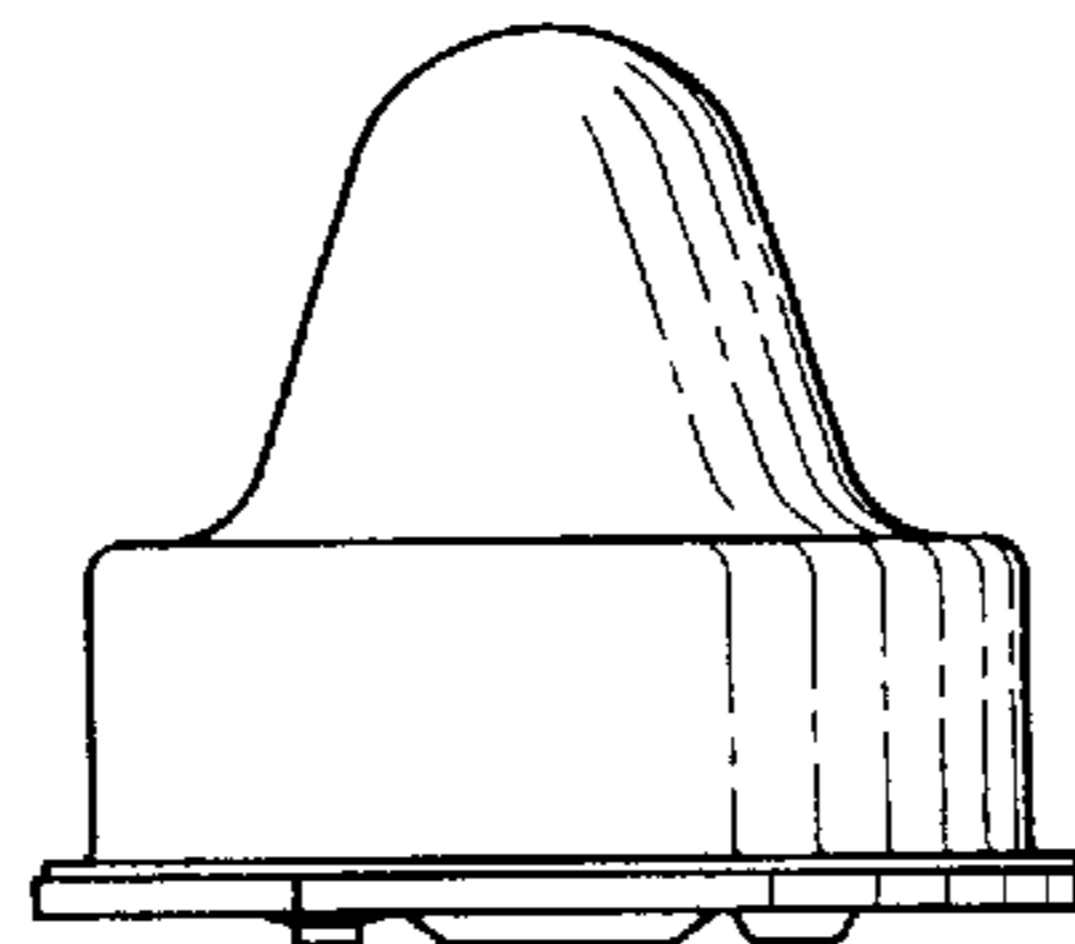


FIG. 6