

US00D502145S

(12) **United States Design Patent**
Li

(10) **Patent No.:** **US D502,145 S**

(45) **Date of Patent:** **** Feb. 22, 2005**

(54) **CONNECTOR**

6,183,300 B1 * 2/2001 Belopolsky et al. 439/607
D455,402 S * 4/2002 Hu D13/147

(75) **Inventor:** **Jia-Yi Li, Dong-Guan (CN)**

* cited by examiner

(73) **Assignee:** **Cheng Uei Precision Industry Co., Ltd., Taipei (TW)**

Primary Examiner—Stella Reid
Assistant Examiner—Selina Sikder

(**) **Term:** **14 Years**

(74) *Attorney, Agent, or Firm*—Rosenberg, Klein & Lee

(21) **Appl. No.:** **29/202,505**

(57) **CLAIM**

(22) **Filed:** **Apr. 1, 2004**

The ornamental design for a connector, as shown and described below.

(51) **LOC (7) Cl.** **13-03**

DESCRIPTION

(52) **U.S. Cl.** **D13/147**

(58) **Field of Search** D13/147; 439/607–610

FIG. 1 is a perspective view of a connector showing the new design;

(56) **References Cited**

U.S. PATENT DOCUMENTS

D416,231 S * 11/1999 Chiou D13/147
6,007,381 A * 12/1999 Ando et al. 439/607
6,007,382 A * 12/1999 Wu 439/607
D427,567 S * 7/2000 Nishio et al. D13/147
D427,975 S * 7/2000 Zhu et al. D13/147

FIG. 2 is a front elevational view thereof;

FIG. 3 is a rear elevational view thereof;

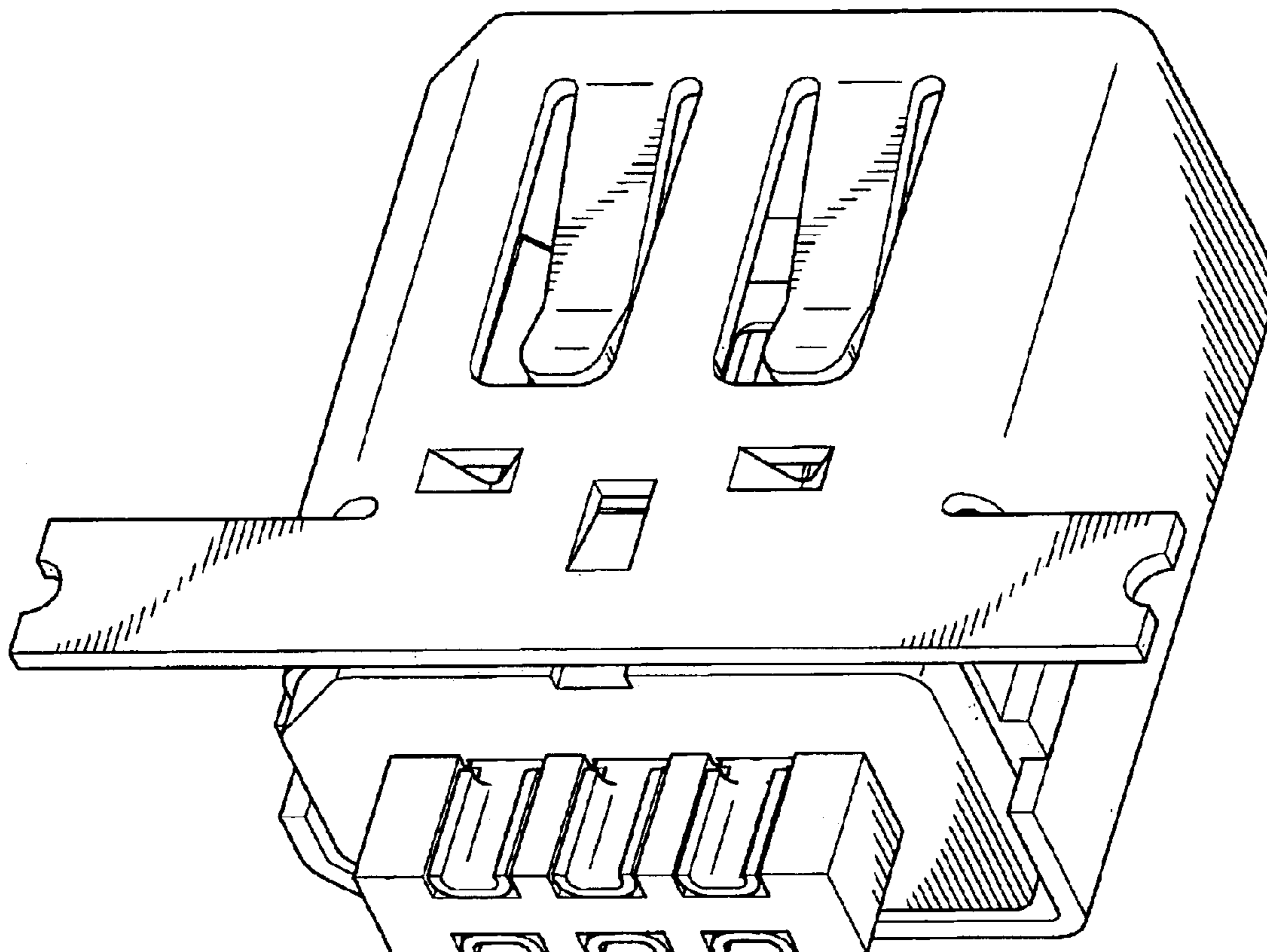
FIG. 4 is a left side elevational view thereof;

FIG. 5 is a right side elevational view thereof;

FIG. 6 is a top plan view thereof; and,

FIG. 7 is a bottom plan view thereof.

1 Claim, 5 Drawing Sheets



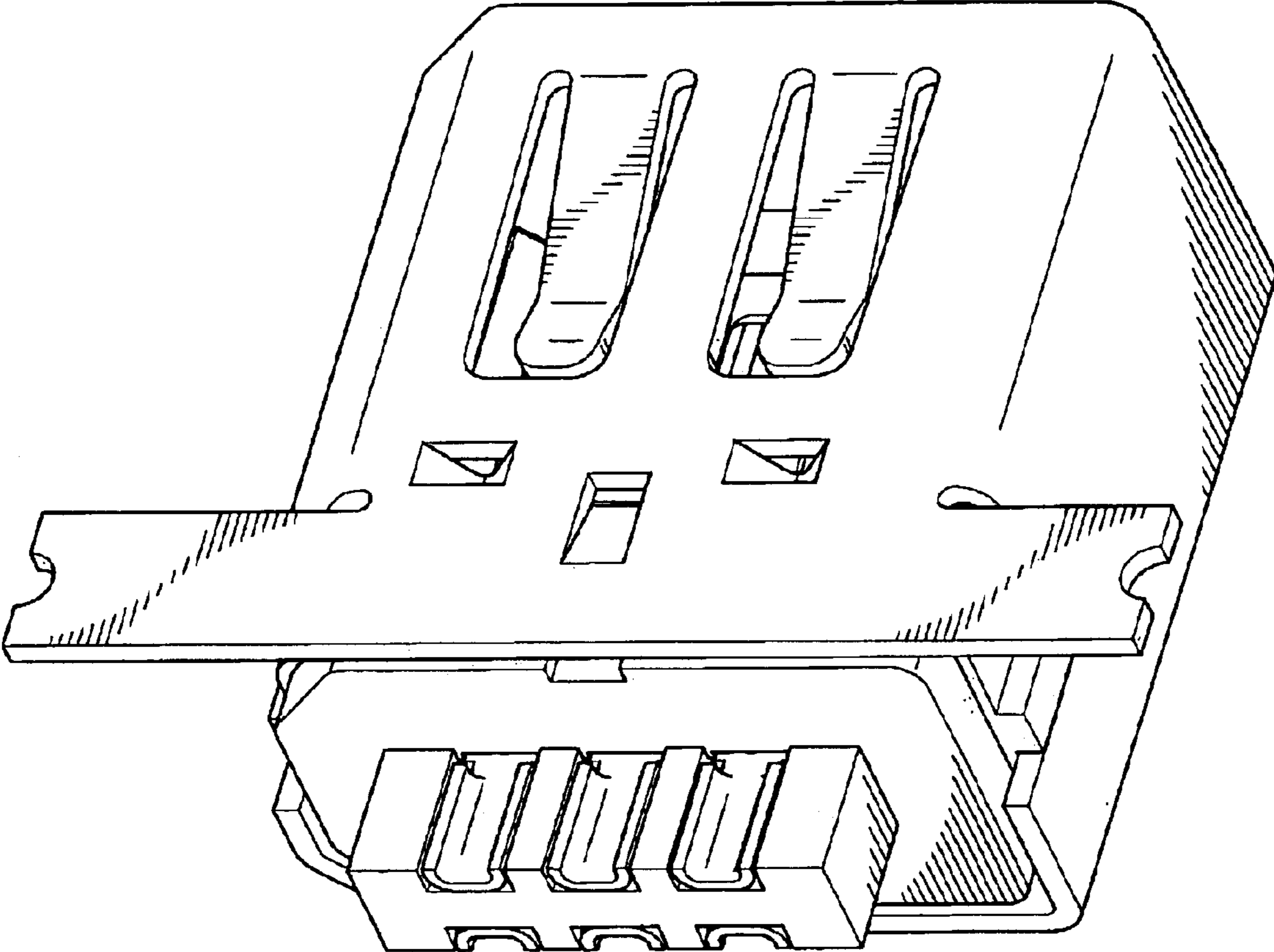


FIG.1

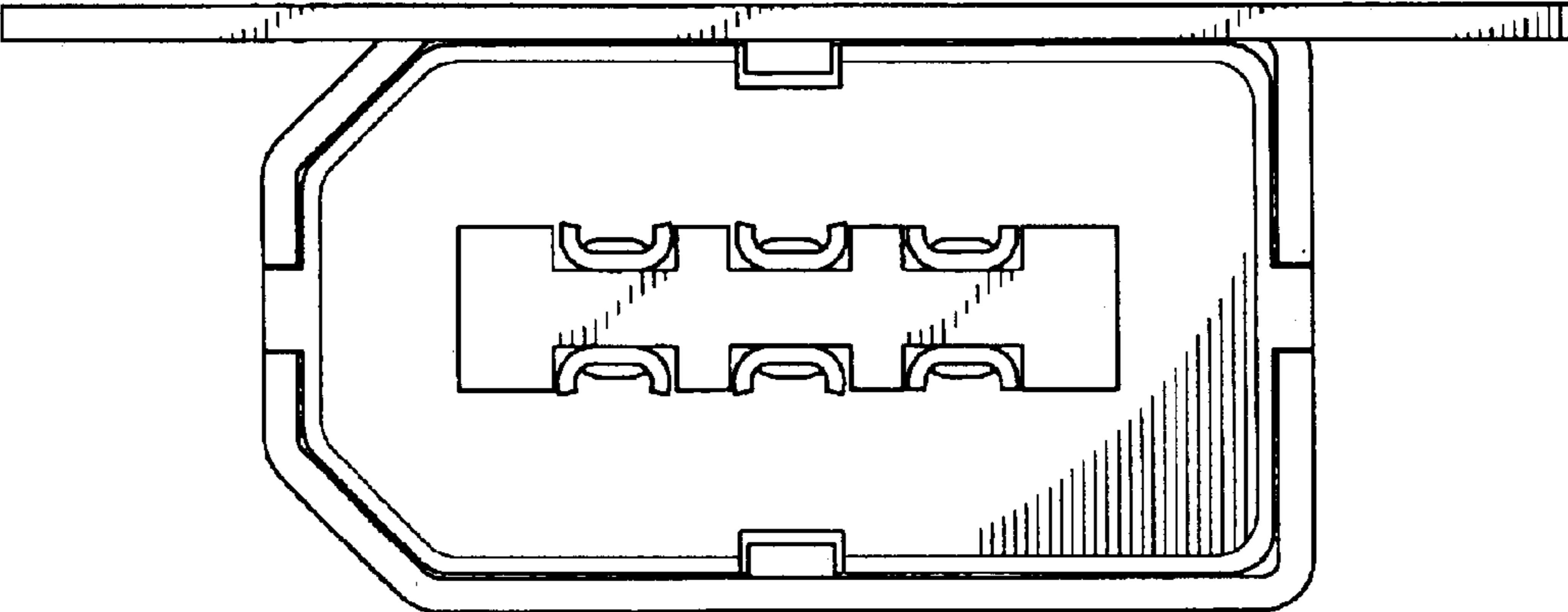


FIG.2

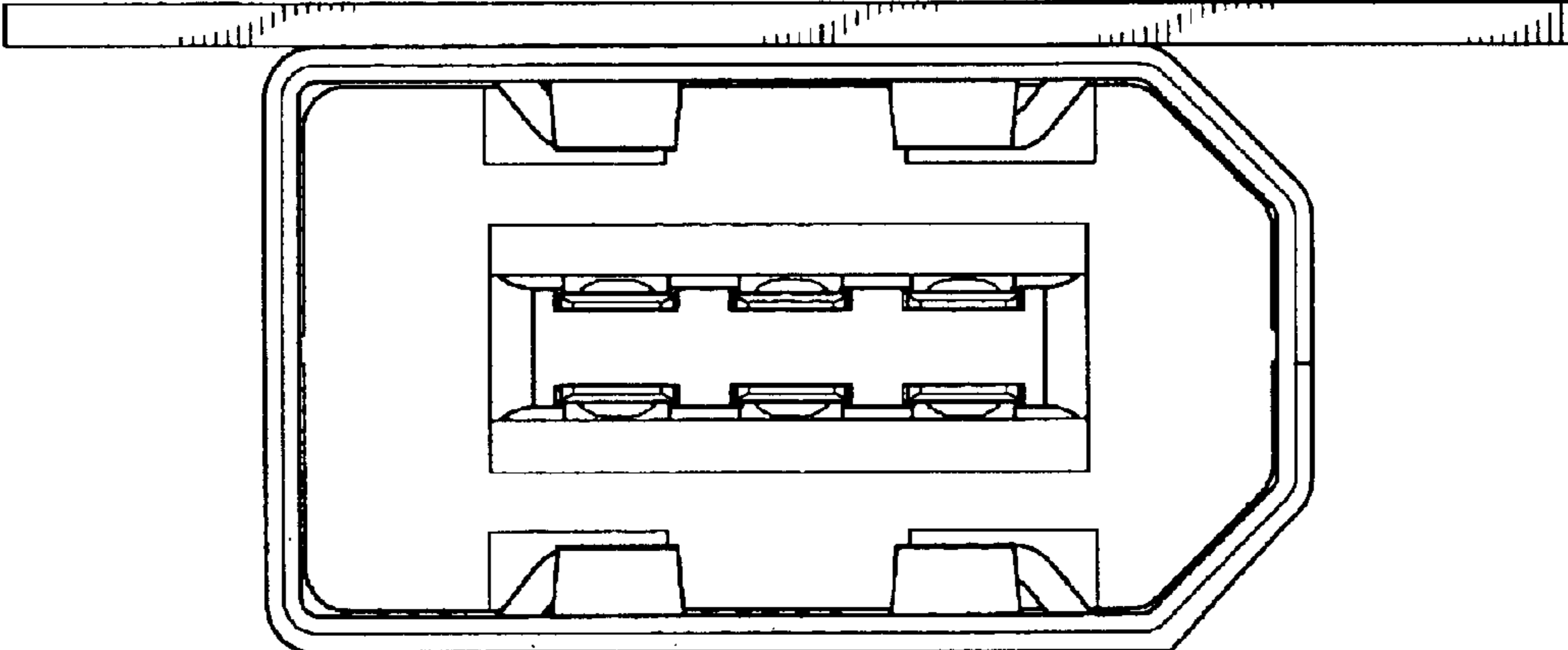


FIG.3

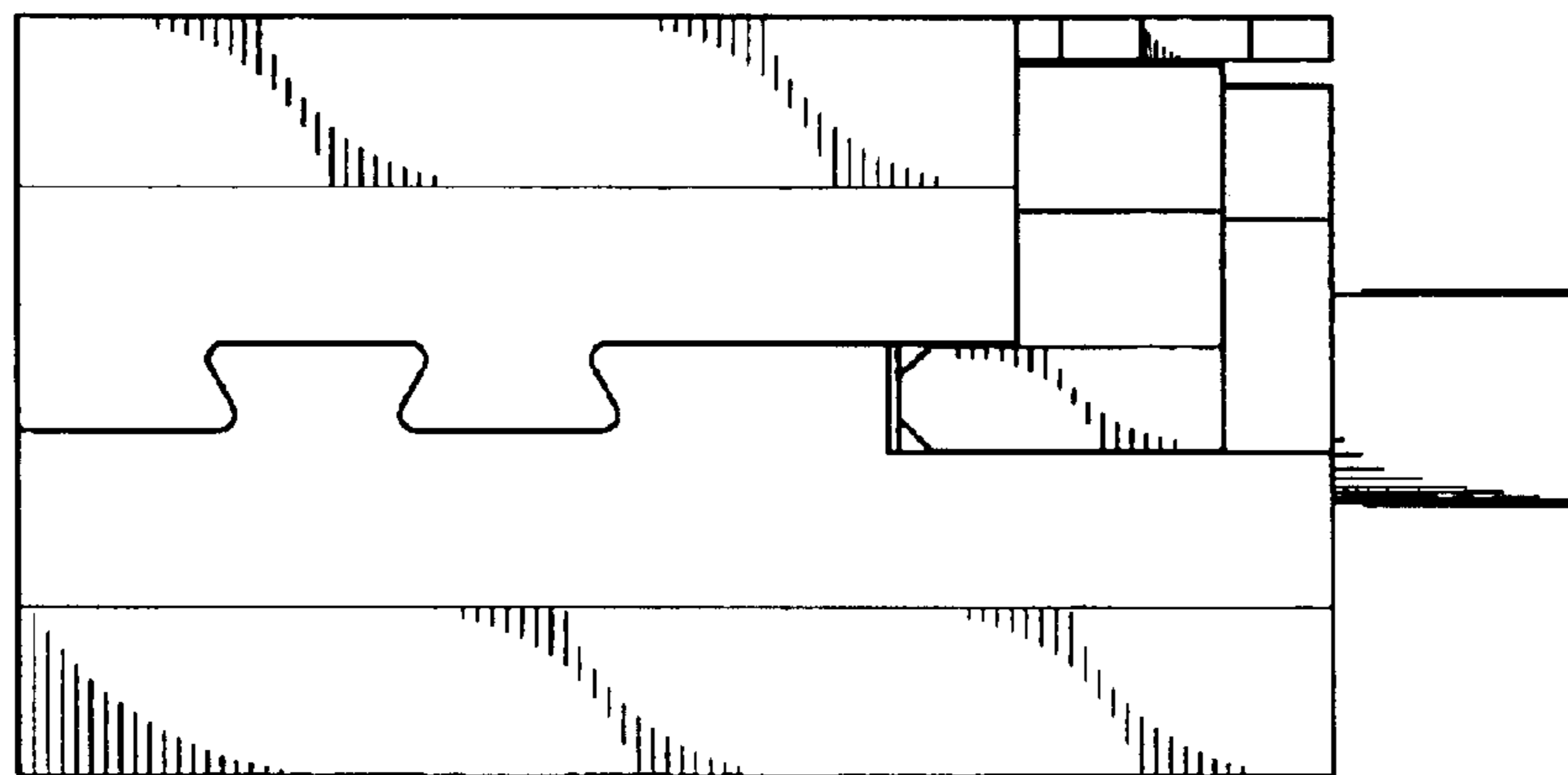


FIG. 4

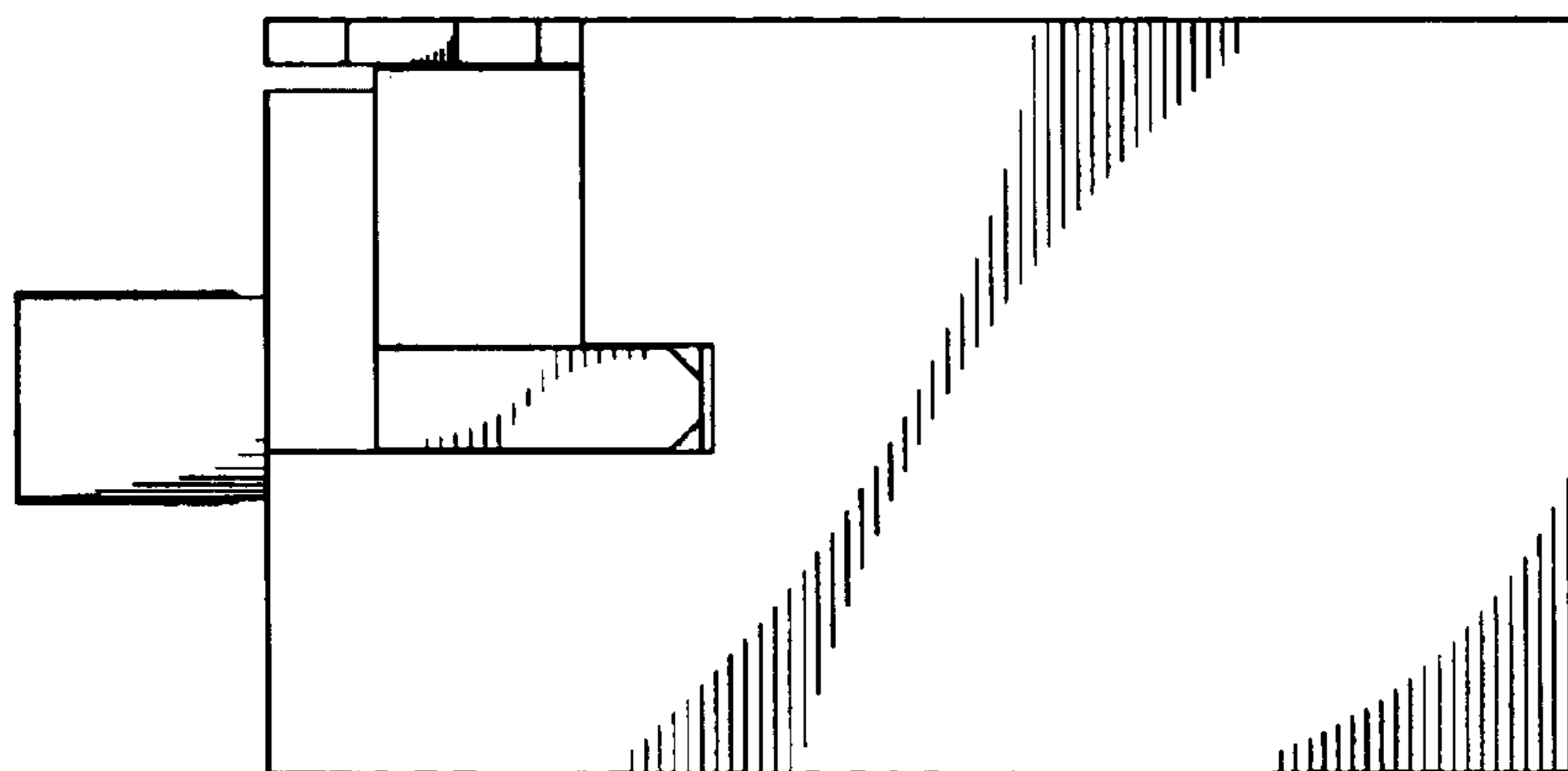


FIG. 5

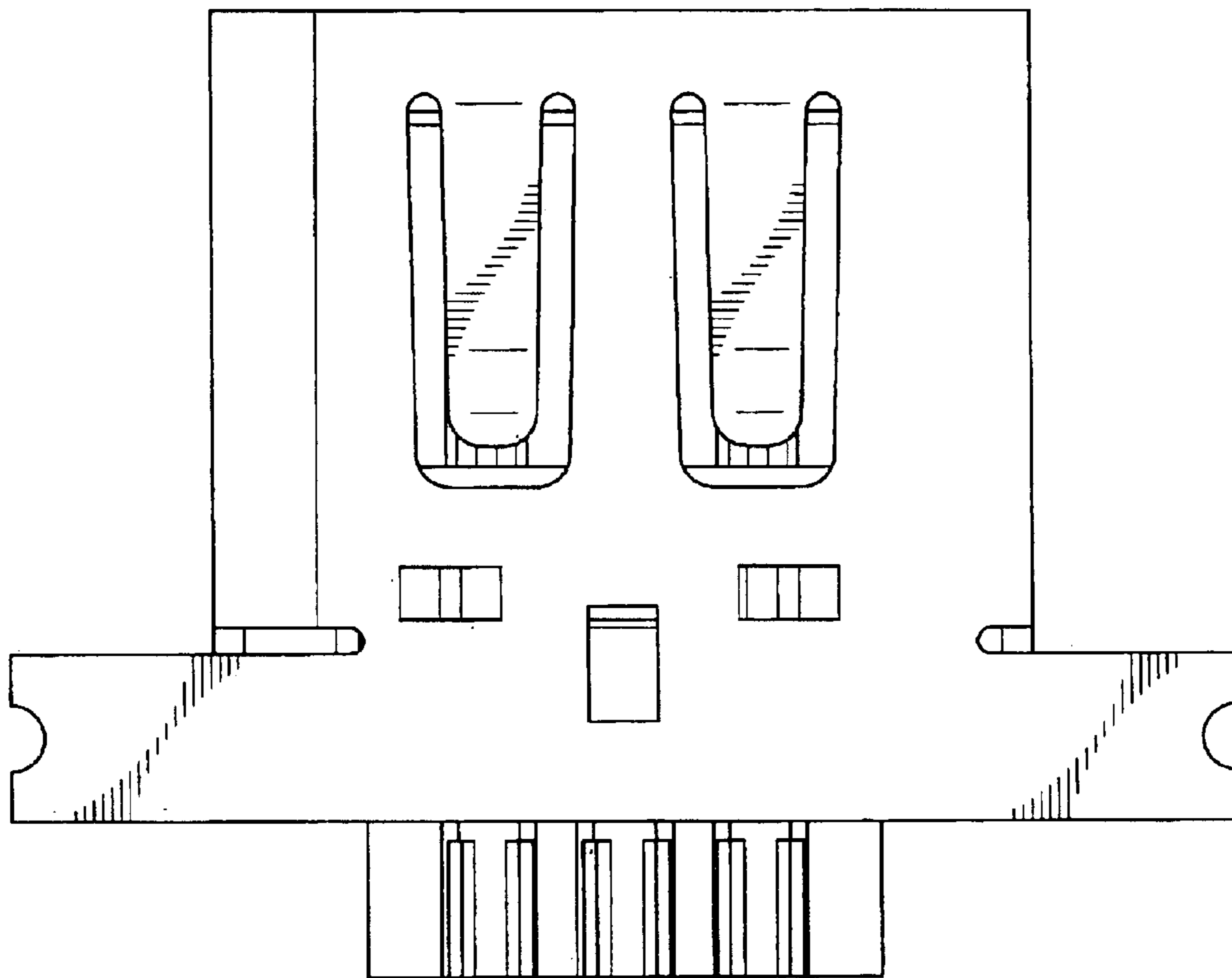


FIG.6

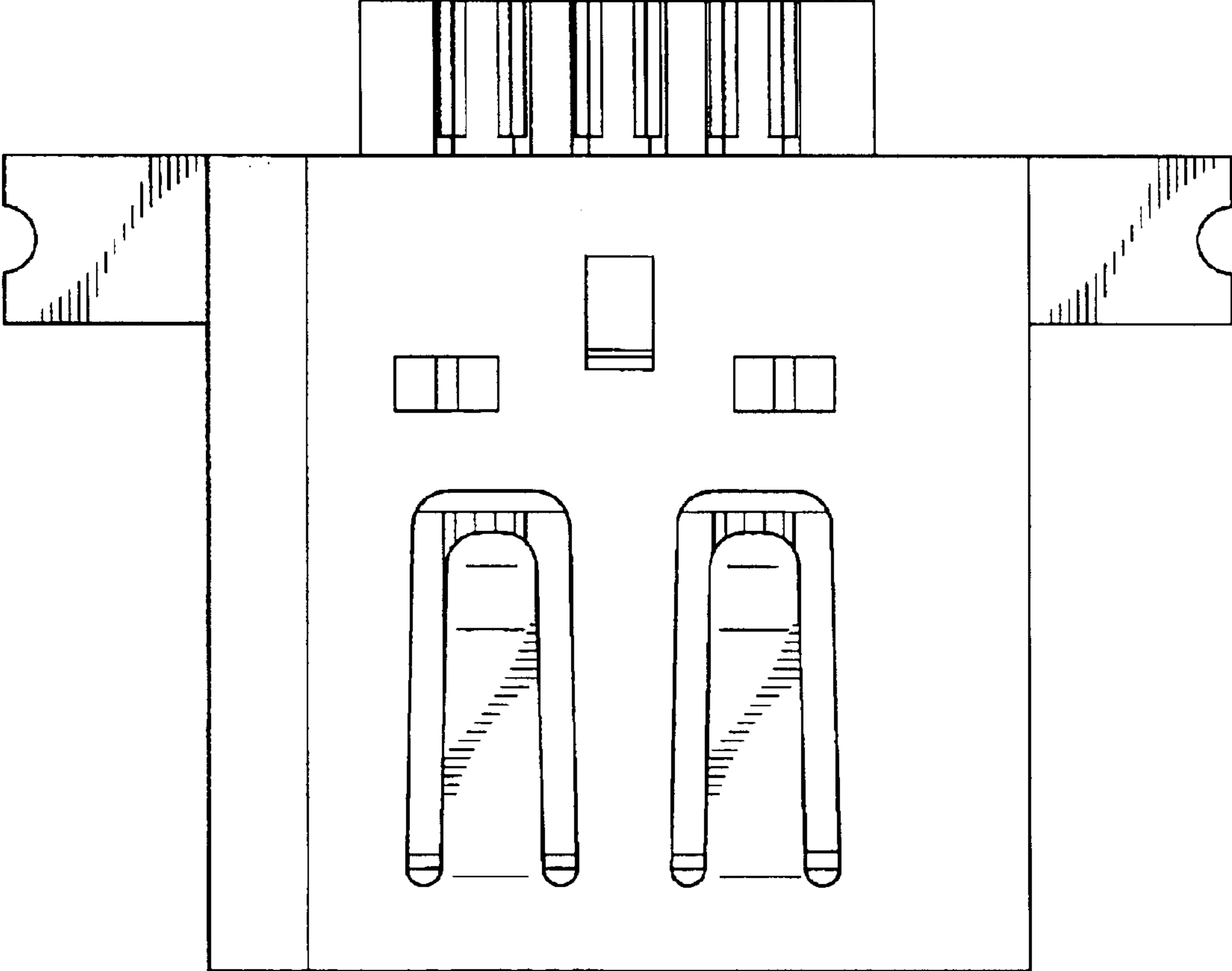


FIG.7