

US00D502144S

(12) **United States Design Patent**
Nishio et al.

(10) **Patent No.:** **US D502,144 S**
(45) **Date of Patent:** **** Feb. 22, 2005**

(54) **CONNECTOR**

(75) Inventors: **Atsushi Nishio**, Tama (JP); **Takashi Kawasaki**, Tama (JP); **Satoru Karahashi**, Tama (JP)

(73) Assignee: **Mitsumi Electric Co., Ltd.**, Tokyo (JP)

(**) Term: **14 Years**

(21) Appl. No.: **29/202,226**

(22) Filed: **Mar. 29, 2004**

(30) **Foreign Application Priority Data**

Sep. 29, 2003 (JP) 2003-028334

(51) **LOC (7) Cl.** **13-03**

(52) **U.S. Cl.** **D13/147**

(58) **Field of Search** D13/147; 439/71,
439/72, 73, 266

(56) **References Cited**

U.S. PATENT DOCUMENTS

4,789,345 A * 12/1988 Carter 439/71

5,154,620 A * 10/1992 Martucci et al. 439/73
5,328,383 A * 7/1994 Savant 439/266
5,358,421 A * 10/1994 Petersen 439/266
D493,427 S * 7/2004 Nishio et al. D13/147

* cited by examiner

Primary Examiner—Stella Reid
Assistant Examiner—Selina Sikder

(74) *Attorney, Agent, or Firm*—Sughrue Mion, PLLC

(57) **CLAIM**

The ornamental design for a connector, as shown.

DESCRIPTION

FIG. 1 is a perspective view of the top, front and right side of a connector showing my new design; FIG. 2 is a front elevational view thereof; FIG. 3 is a rear elevational view thereof; FIG. 4 is a right side elevational view thereof; FIG. 5 is a left side elevational view thereof; FIG. 6 is a top plan view thereof; and, FIG. 7 is a bottom plan view thereof.

1 Claim, 5 Drawing Sheets

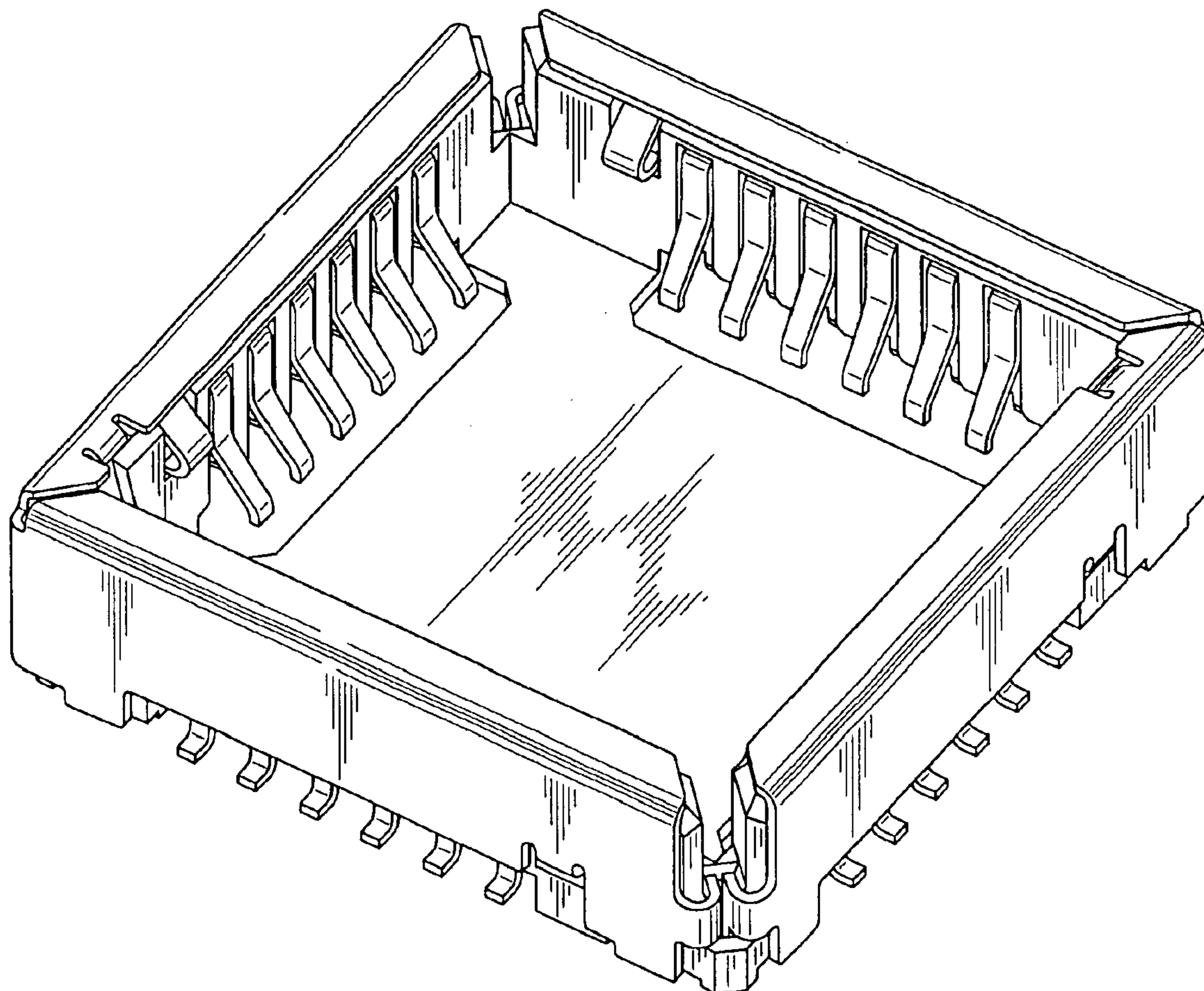


FIG. 1

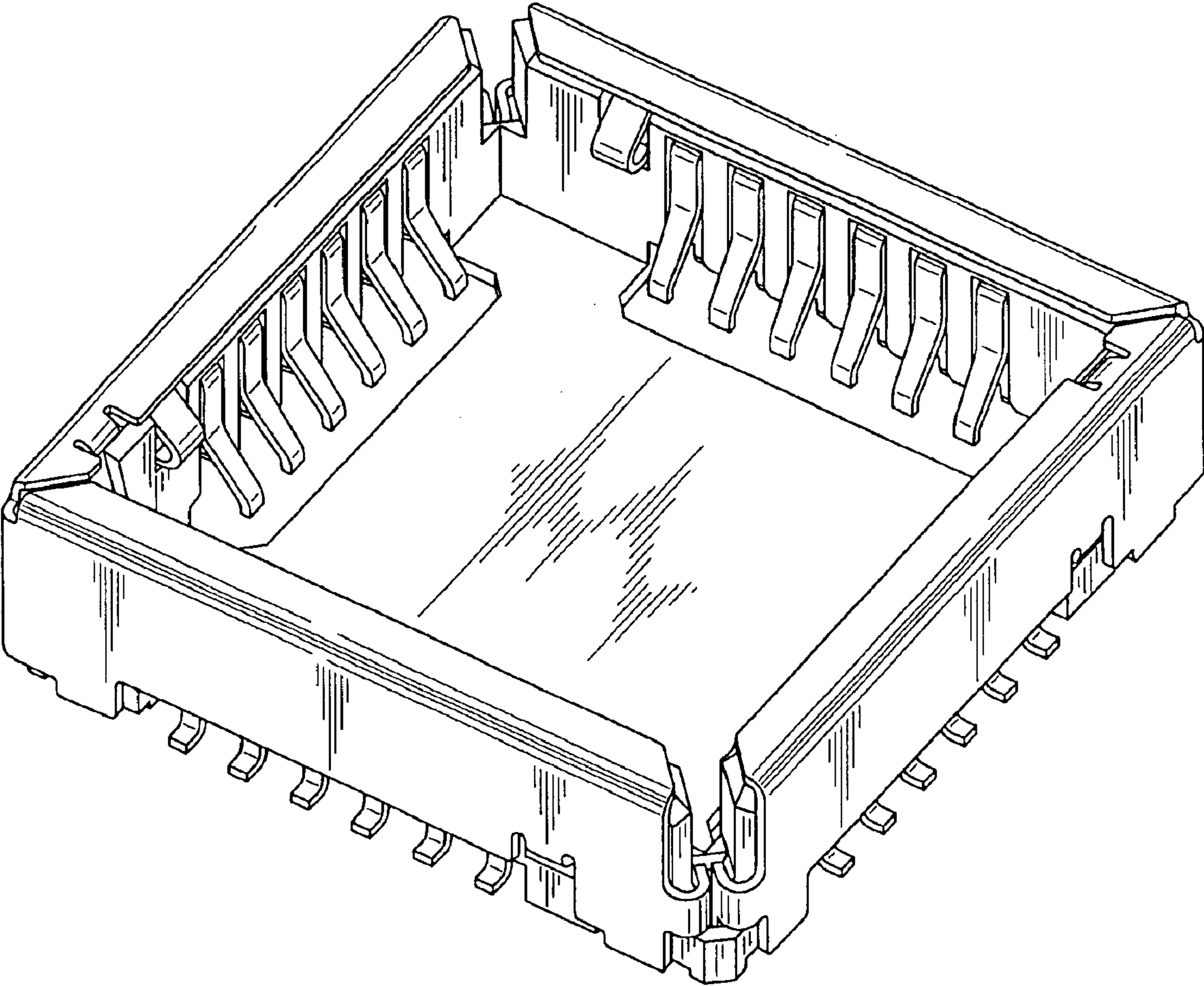


FIG. 2

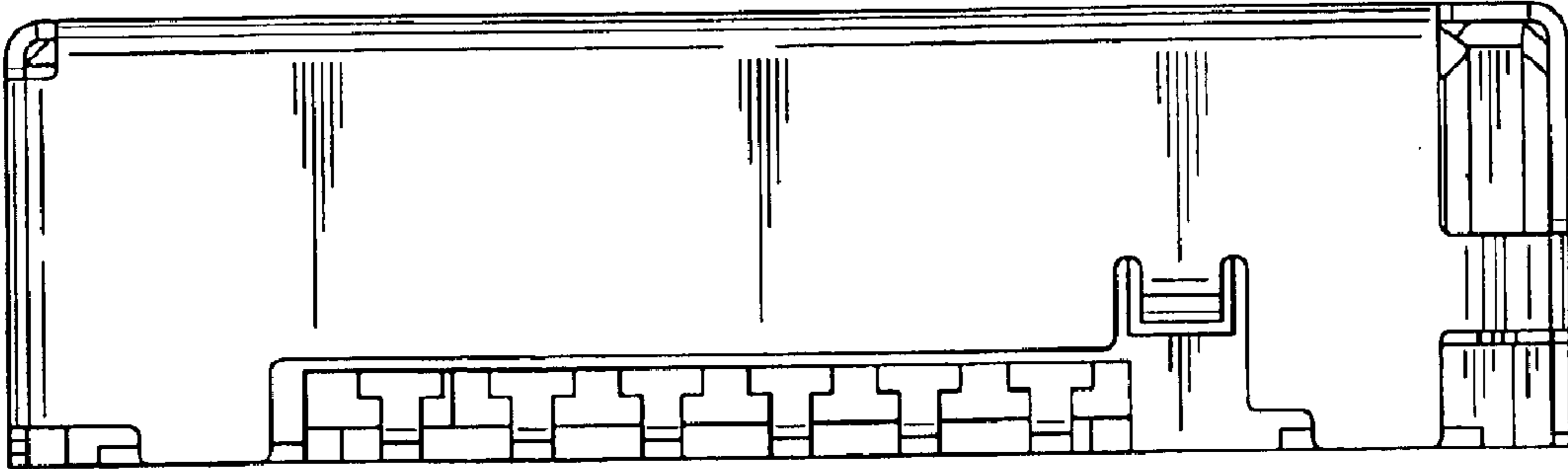


FIG. 3

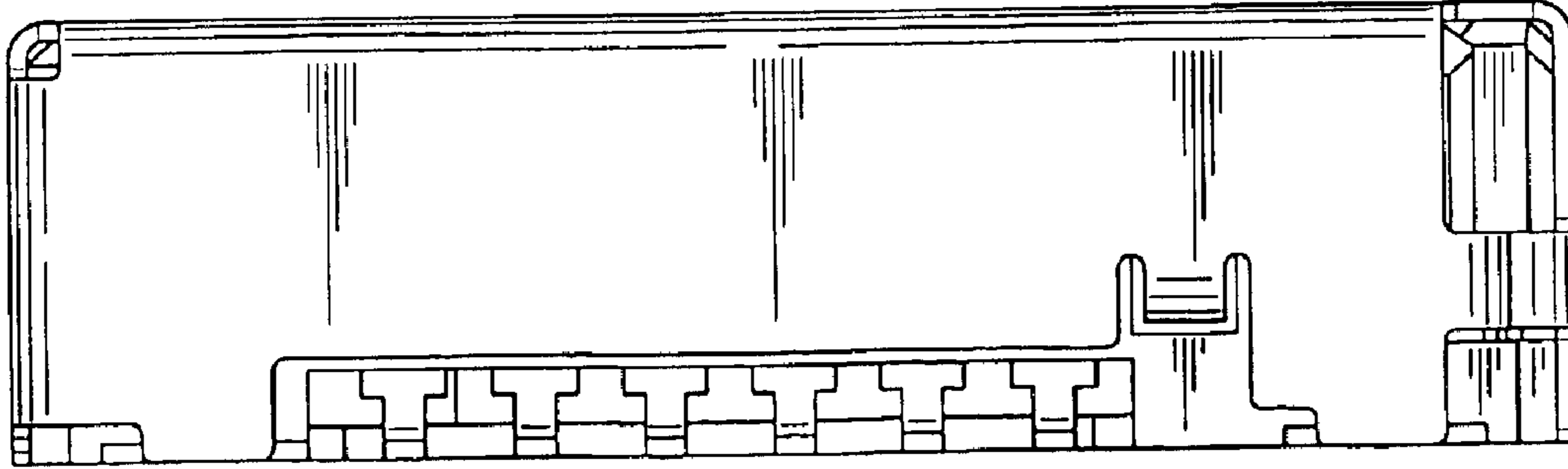


FIG. 4

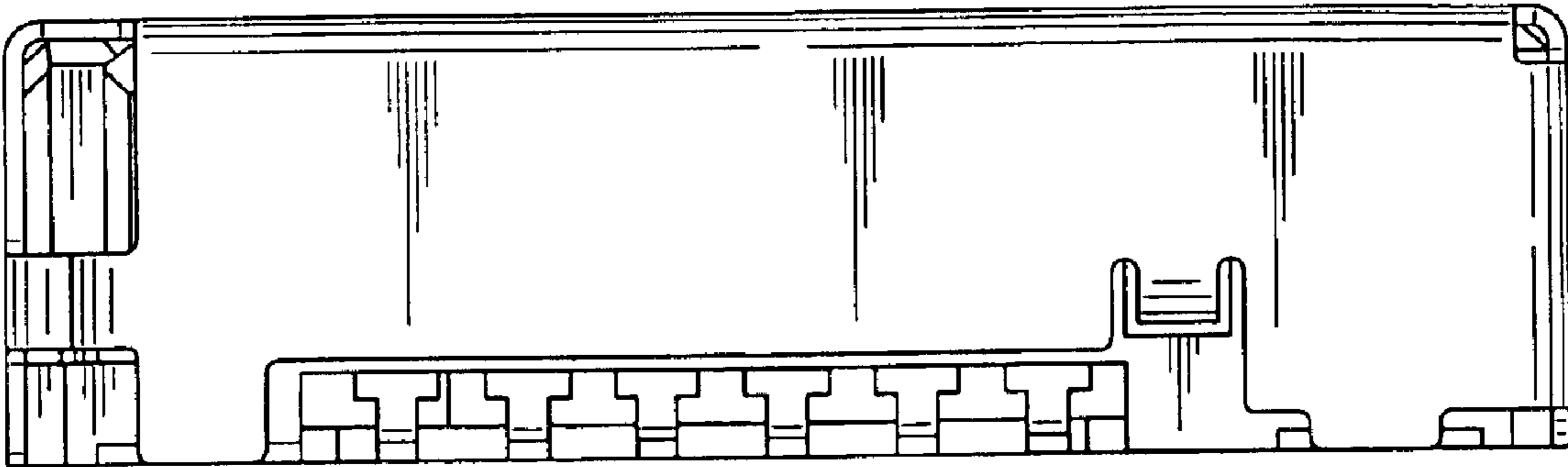


FIG. 5

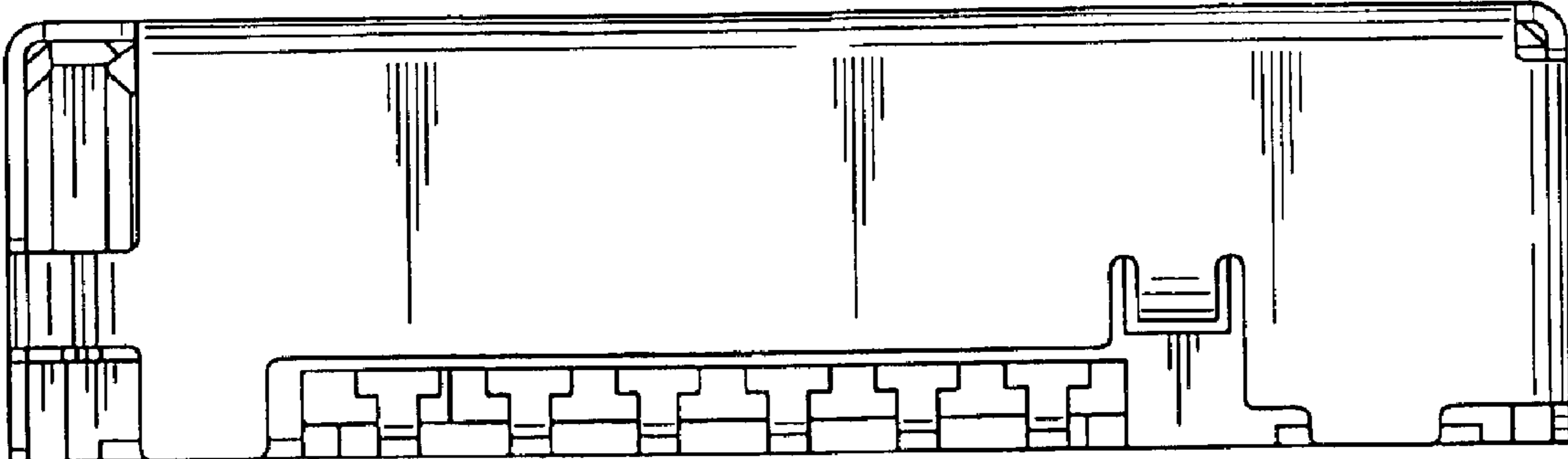


FIG. 6

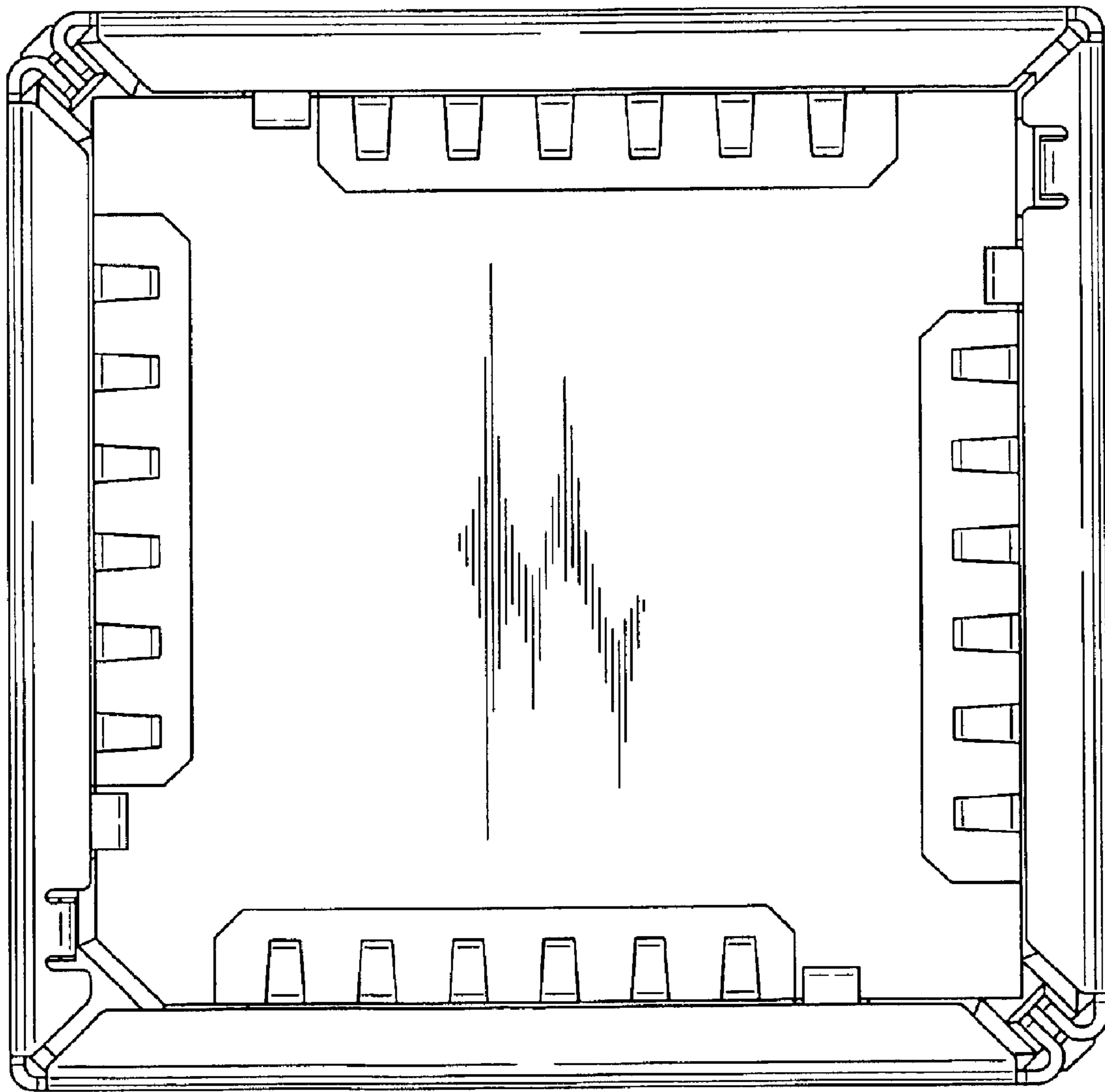


FIG. 7

