

US00D502143S

(12) **United States Design Patent**
Chiu et al.

(10) **Patent No.:** **US D502,143 S**
(45) **Date of Patent:** **** Feb. 22, 2005**

(54) **FPC (FLEXIBLE PLANT CABLE) AND CONNECTOR**

(75) Inventors: **Hsien-Yu Chiu**, Taoyuan (TW);
Wen-Hsin Chen, Taoyuan (TW)

(73) Assignee: **P-Two Industries Inc.**, Taoyuan (TW)

(**) Term: **14 Years**

(21) Appl. No.: **29/198,504**

(22) Filed: **Feb. 2, 2004**

(30) **Foreign Application Priority Data**

Oct. 31, 2003 (TW) 092306595

(51) **LOC (7) Cl.** **13-03**

(52) **U.S. Cl.** **D13/147**

(58) **Field of Search** D13/147; 439/62,
439/83, 260, 395, 422, 492, 495, 499, 571

(56) **References Cited**

U.S. PATENT DOCUMENTS

4,367,006 A * 1/1983 Rehbogen et al. 439/495
5,194,017 A * 3/1993 Consoli 439/492
5,704,808 A * 1/1998 Chishima 439/571
D435,831 S * 1/2001 Ko D13/147

6,186,807 B1 * 2/2001 Simmel 439/218
6,394,838 B1 * 5/2002 Yen 439/492
D482,000 S * 11/2003 Saito et al. D13/147
D482,327 S * 11/2003 Saito et al. D13/147

* cited by examiner

Primary Examiner—Stella Reid
Assistant Examiner—Selina Sikder

(57) **CLAIM**

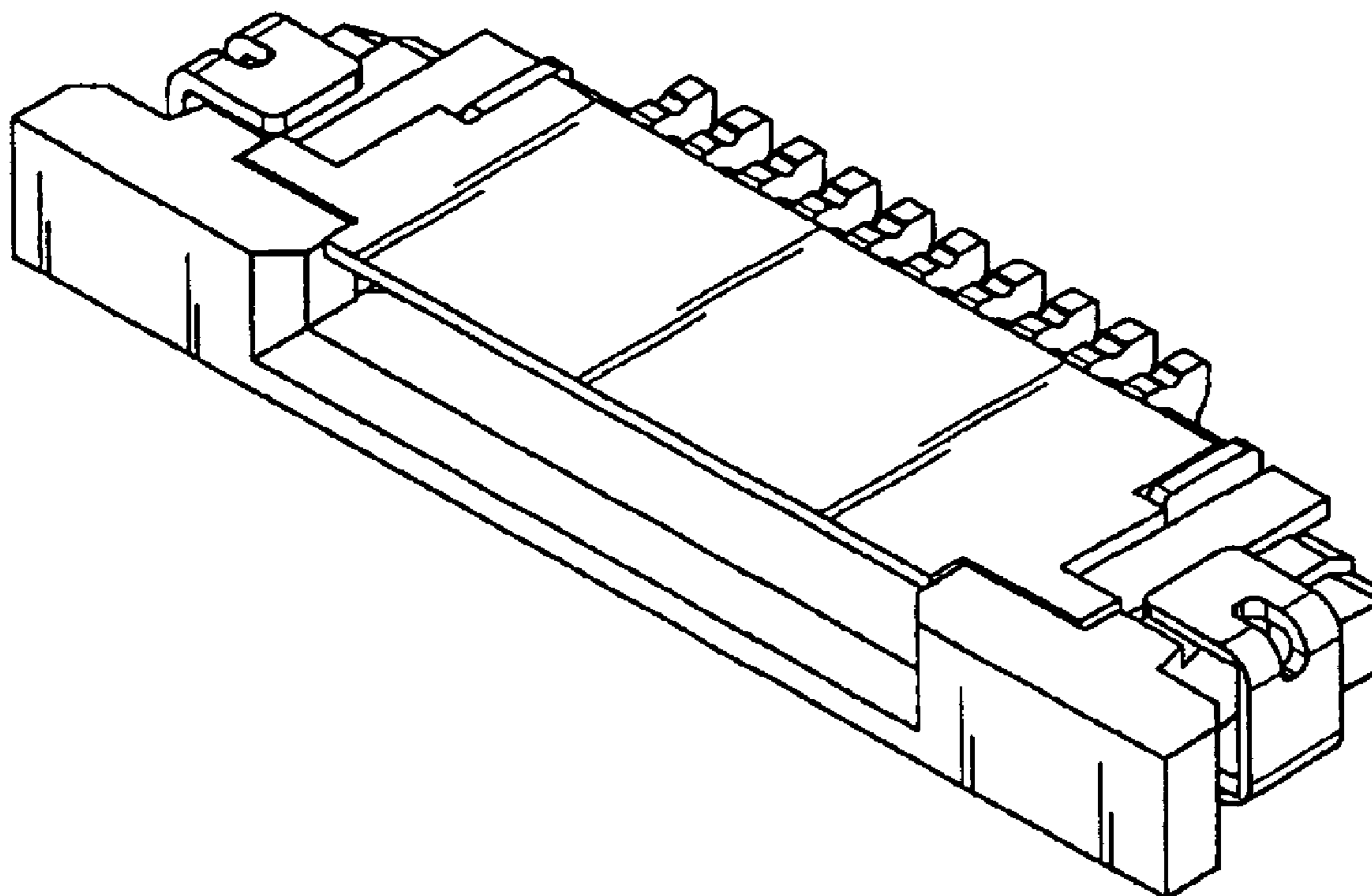
The ornamental design for FPC (flexible plant cable) and connector, as shown and described.

DESCRIPTION

FIG. 1 is a perspective view thereof;
FIG. 2 is a front view thereof;
FIG. 3 is a back view thereof;
FIG. 4 is a left side view thereof;
FIG. 5 is a right side view thereof;
FIG. 6 is a top view thereof;
FIG. 7 is a bottom view thereof; and,
FIG. 8 is a perspective view showing FPC (flexible plant cable) and connector are being assembled for illustrative purpose.

The broken line showing of the environment is for illustrative purpose only and forms no part of the claimed design.

1 Claim, 5 Drawing Sheets



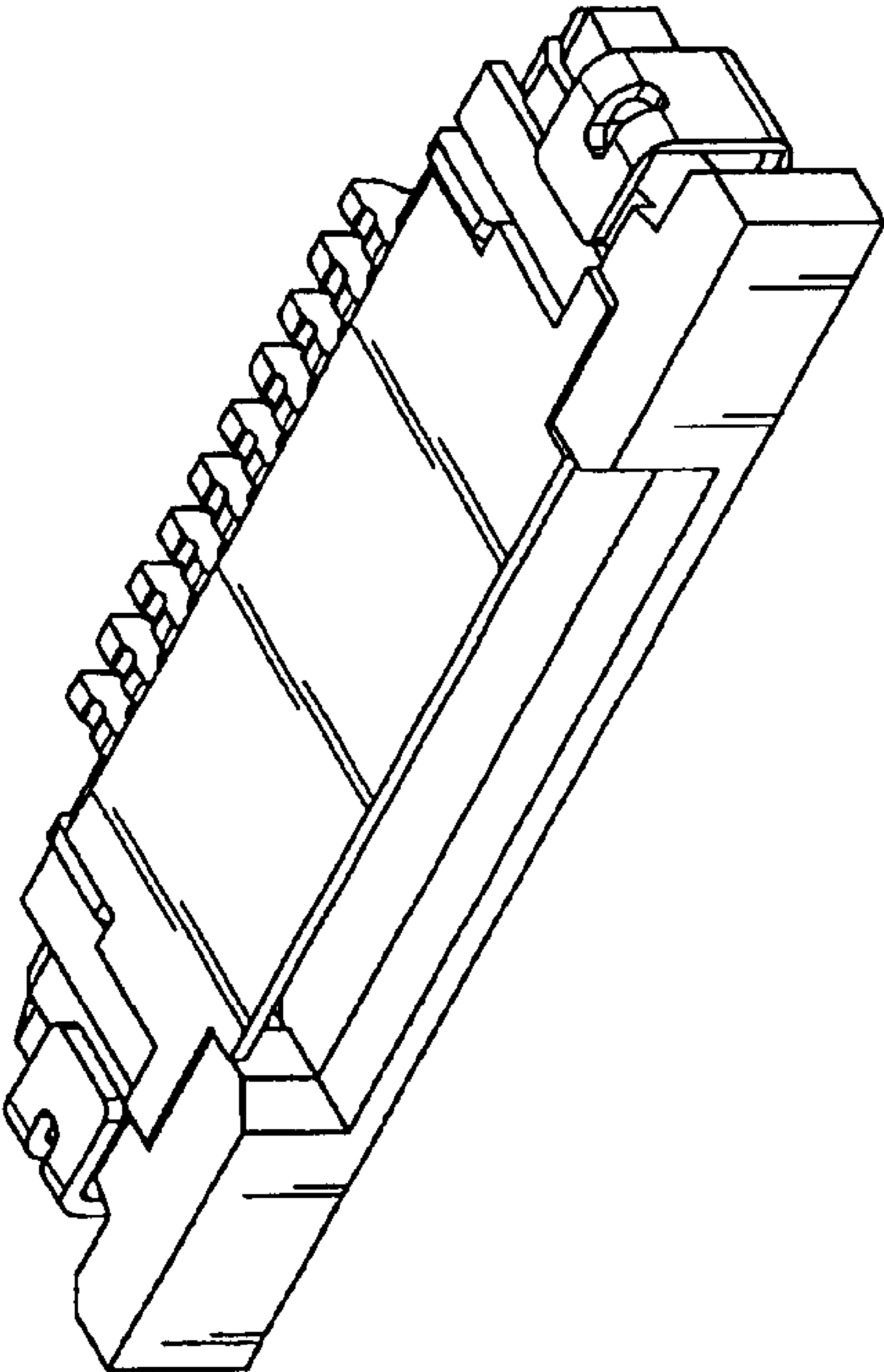


FIG. 1

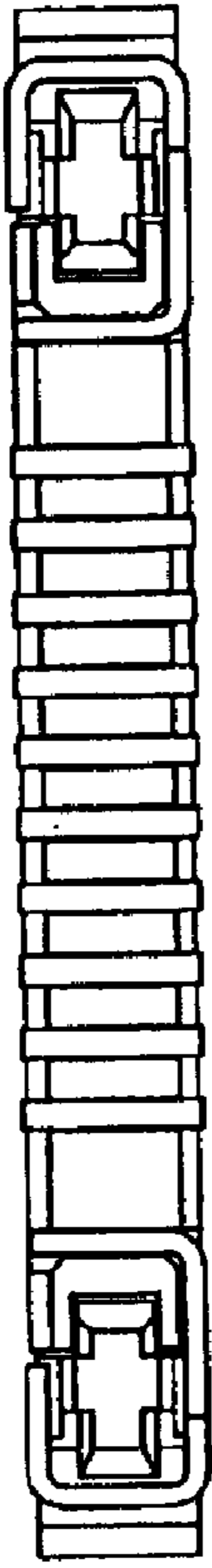


FIG. 3

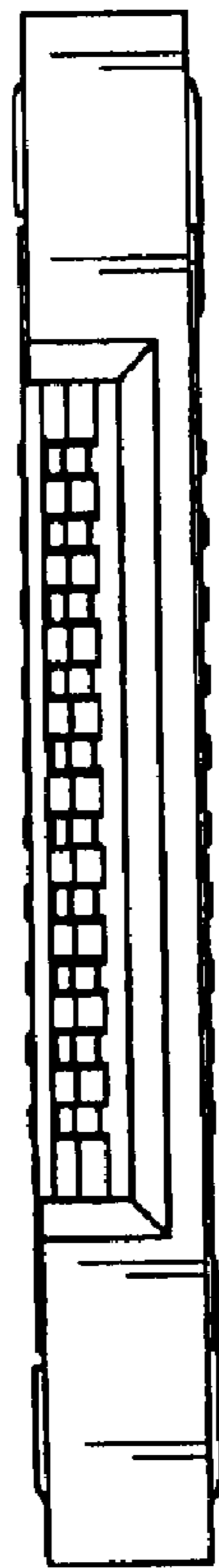


FIG. 2

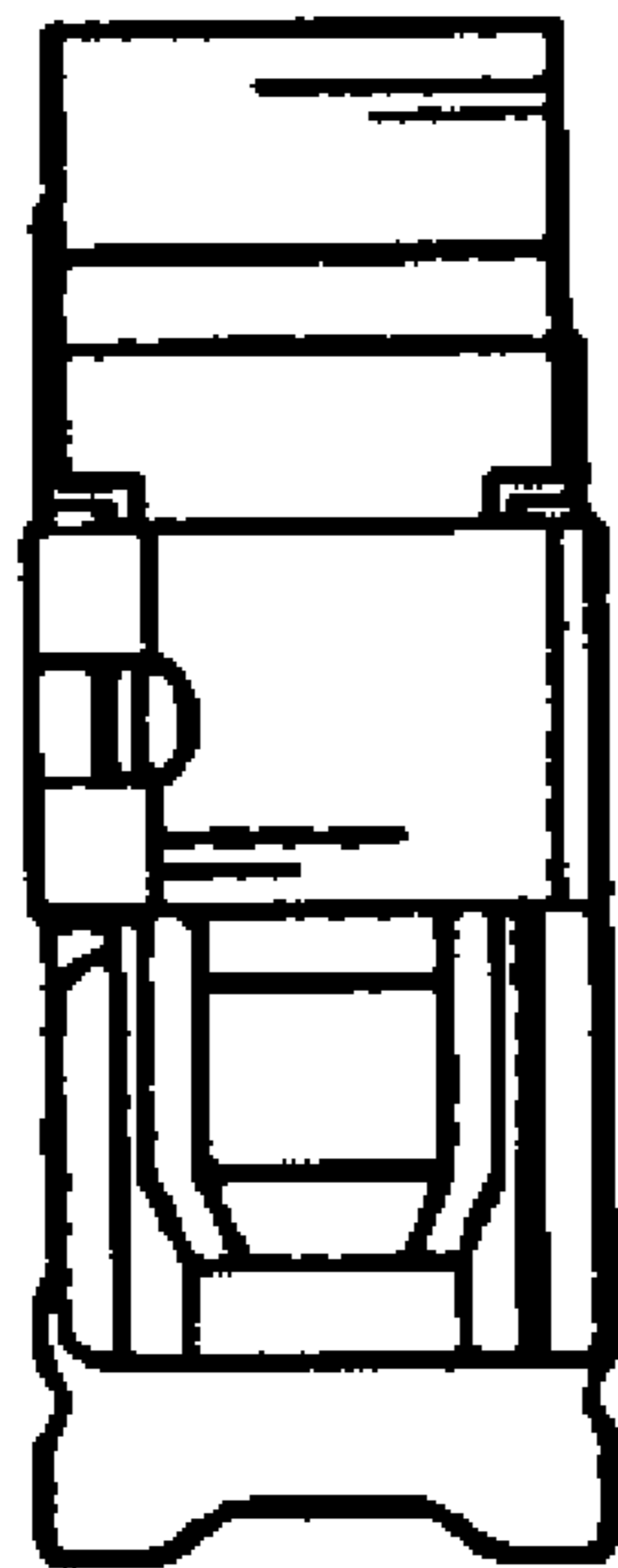
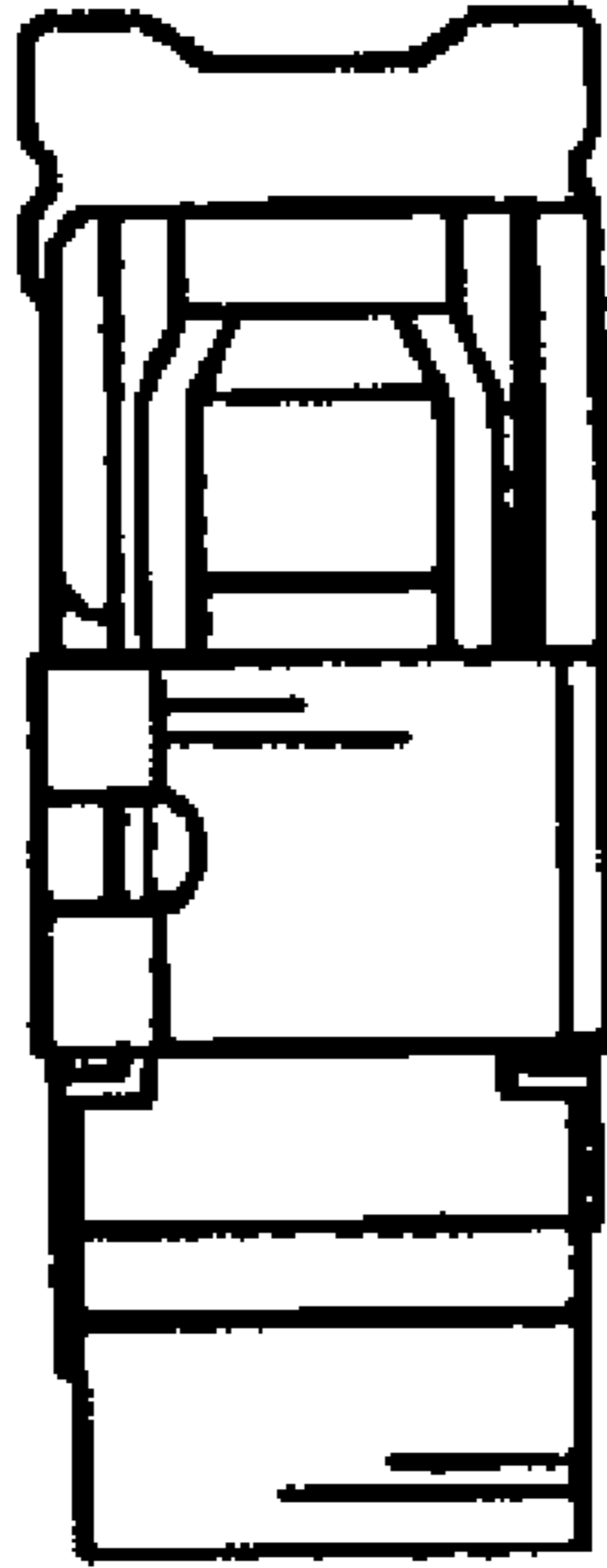


FIG. 4

FIG. 5

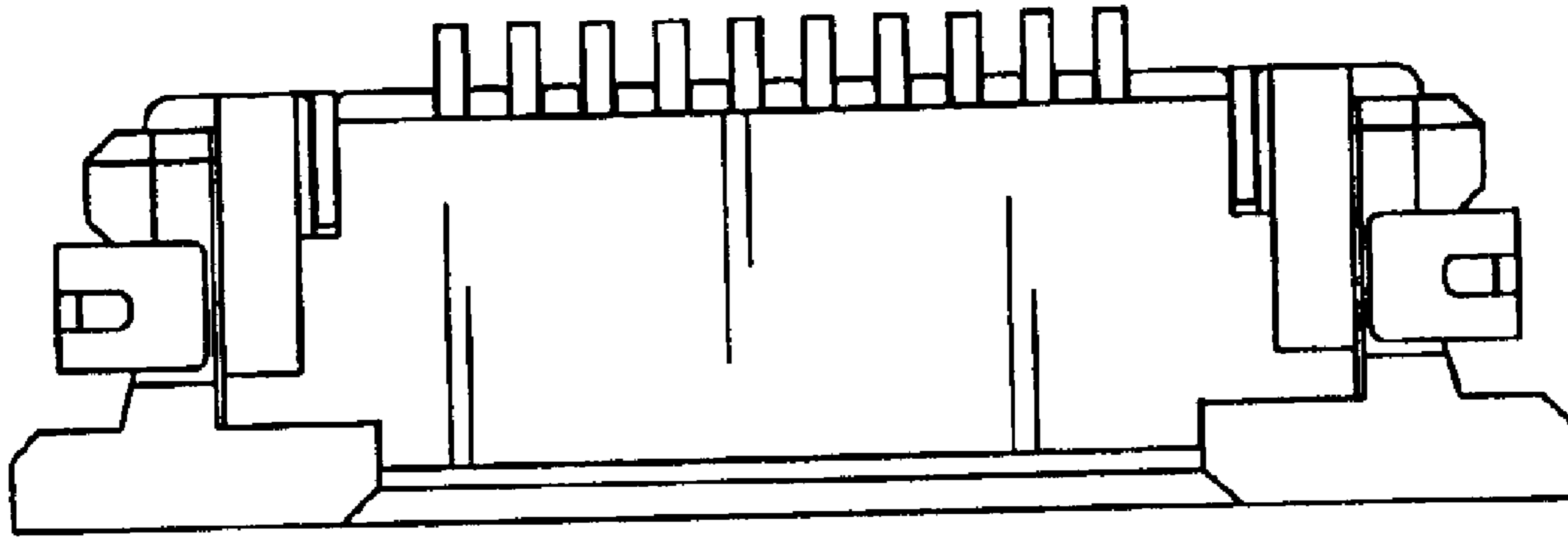


FIG. 6

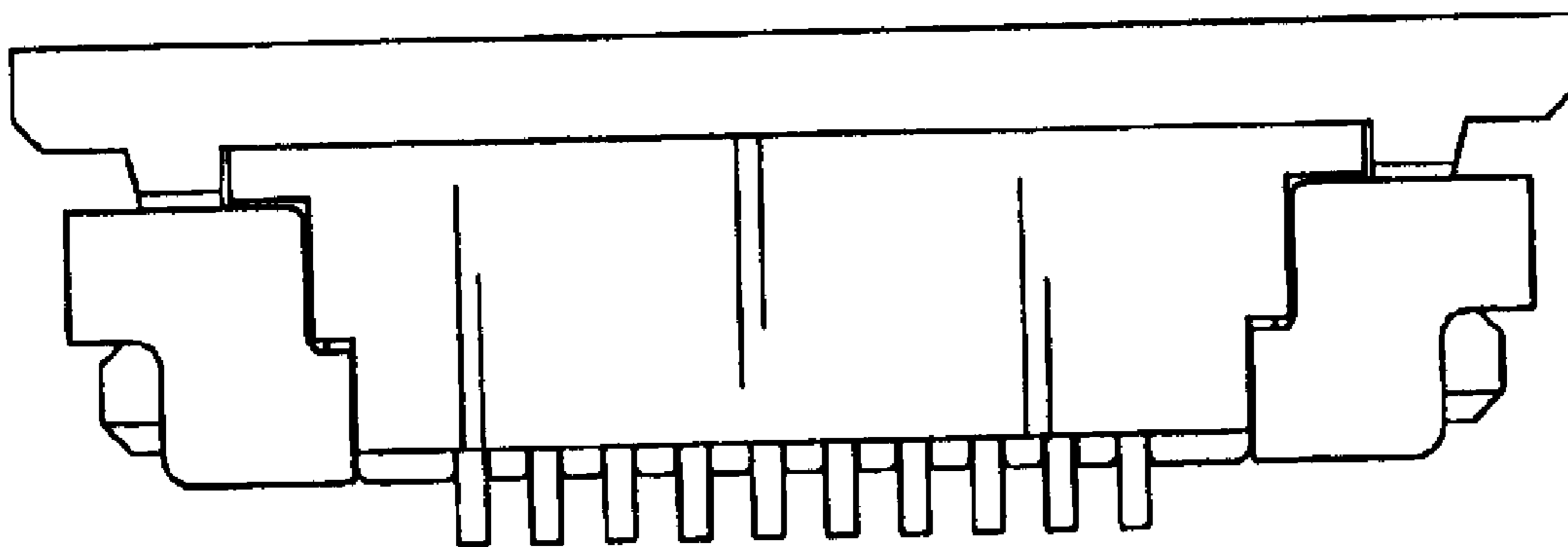


FIG. 7

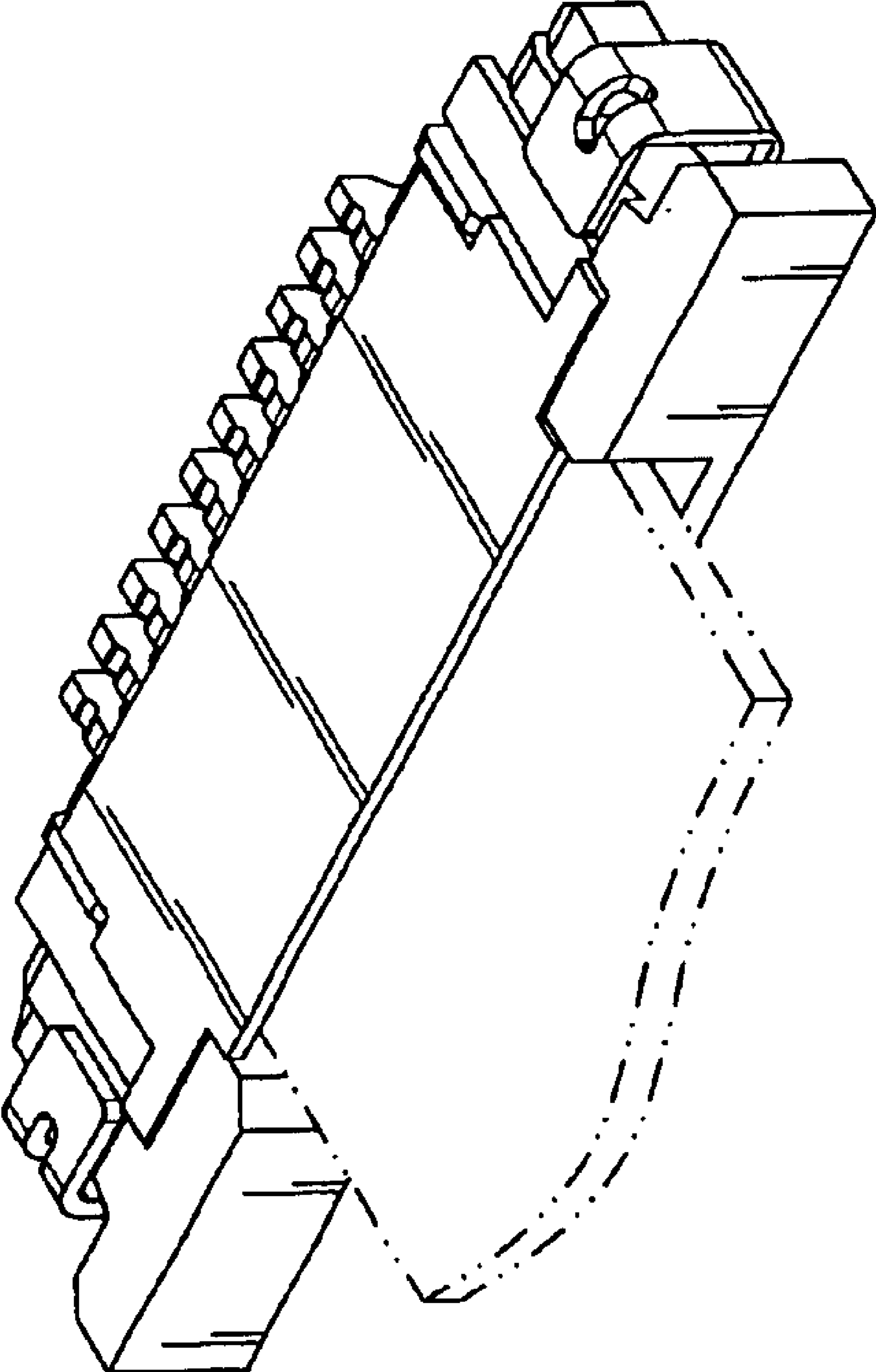


FIG. 8