

US00D502138S

(12) **United States Design Patent**
Bateman

(10) **Patent No.:** **US D502,138 S**
(45) **Date of Patent:** **** Feb. 22, 2005**

(54) **CROSS-BARRED WHEEL TORQUE ASSISTING DEVICE**

D365,078 S * 12/1995 Ziaylek D12/217
D387,323 S * 12/1997 Wilcox D12/217
D432,976 S * 10/2000 Chiang D12/217

(75) Inventor: **Garrett W. Bateman**, Salem, OR (US)

* cited by examiner

(73) Assignee: **Quarter Mile, Inc.**, Keizer, OR (US)

Primary Examiner—Stacia Cadmus

(**) Term: **14 Years**

(74) *Attorney, Agent, or Firm*—Schwabe, Williamson & Wyatt, P.C.

(21) Appl. No.: **29/187,542**

(57) **CLAIM**

(22) Filed: **Aug. 1, 2003**

The ornamental design for a cross-barred wheel torque assisting device, as shown and described.

(51) **LOC (7) Cl.** **12-06**

(52) **U.S. Cl.** **D12/217**

(58) **Field of Search** D12/217, 114,
D12/120, 203, 400; 410/30, 49; 280/293;
267/139–140; 224/524; 188/32, 36, 4 R;
D8/402

DESCRIPTION

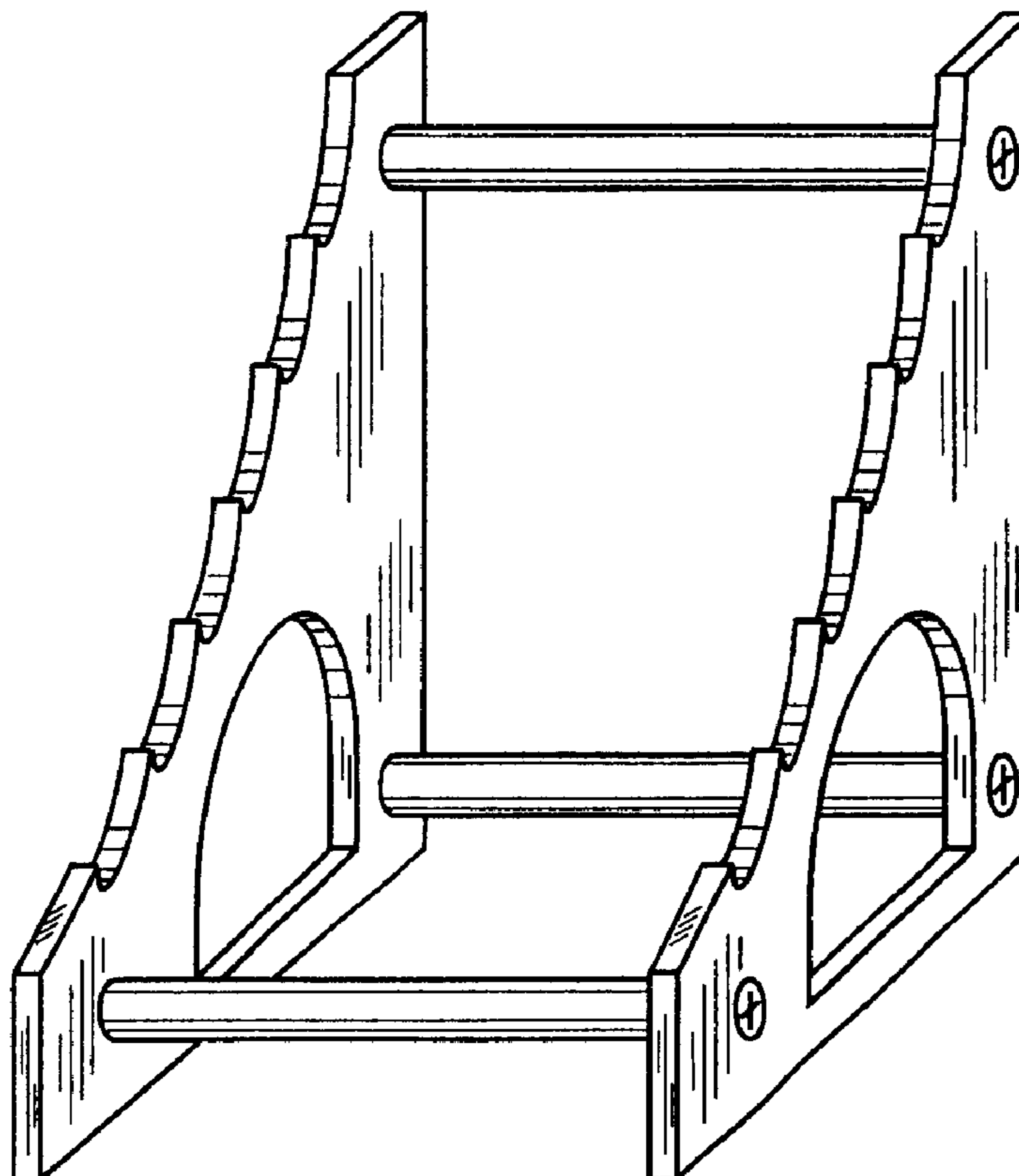
(56) **References Cited**

U.S. PATENT DOCUMENTS

D191,276 S * 9/1961 Jicha et al. D12/217
D235,332 S * 6/1975 Richilano D12/217
D236,612 S * 9/1975 Wetzel et al. D12/217
4,502,816 A * 3/1985 Creter et al. D12/217
D298,823 S * 12/1988 Zutler D12/217
D316,243 S * 4/1991 Henry D12/217
D326,254 S * 5/1992 Ziaylek et al. D12/217

FIG. 1 depicts a perspective view of the cross-barred wheel torque assisting device showing my new design;
FIG. 2 depicts a side elevational view of the invention of FIG. 1.
FIG. 3 depicts a front elevational view of the invention of FIG. 1.
FIG. 4 depicts a back elevational view of the invention of FIG. 1.
FIG. 5 depicts a top plan view of the invention of FIG. 1; and,
FIG. 6 depicts a bottom plan view of the invention of FIG. 1.

1 Claim, 1 Drawing Sheet



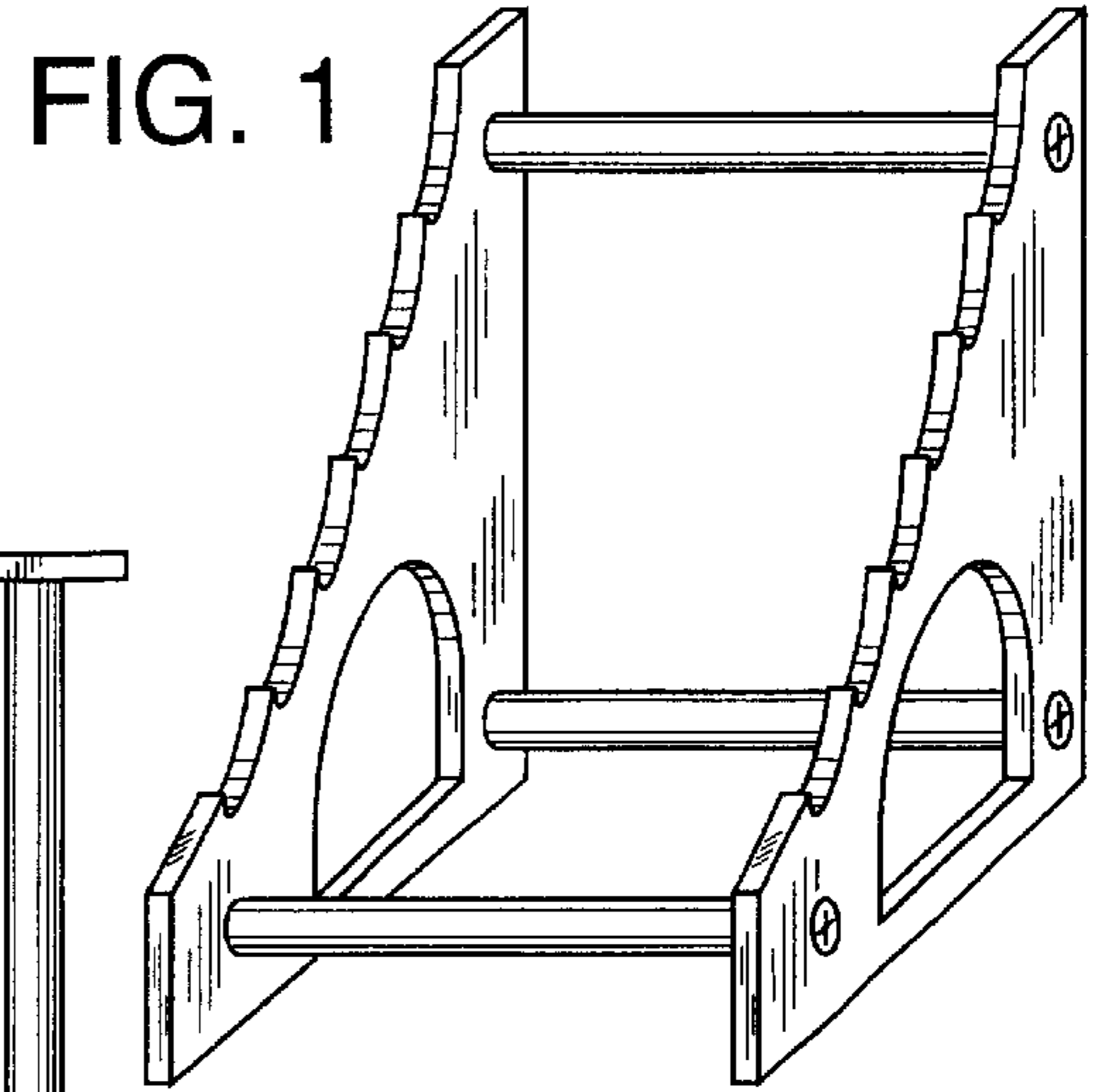


FIG. 1

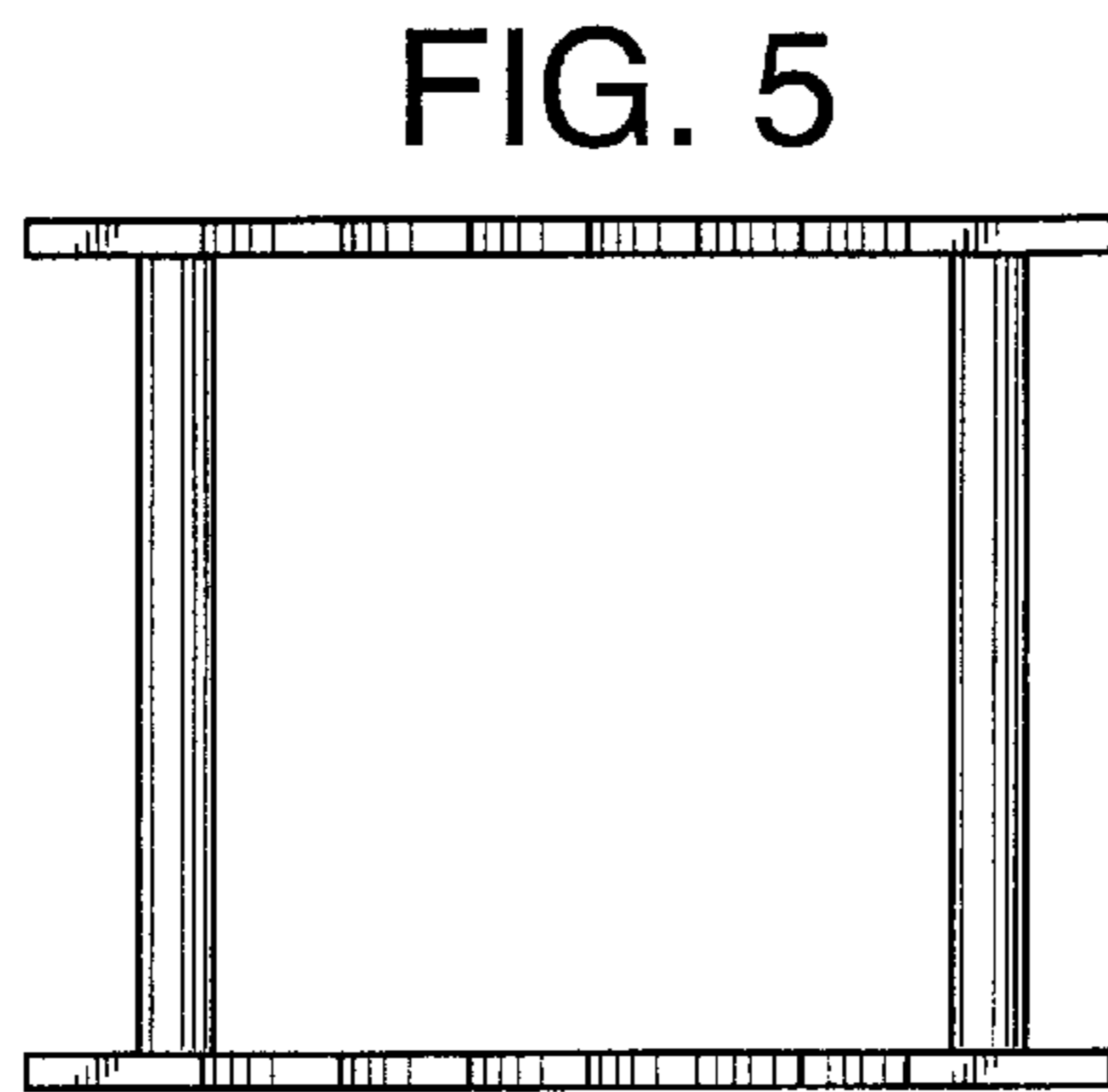


FIG. 5

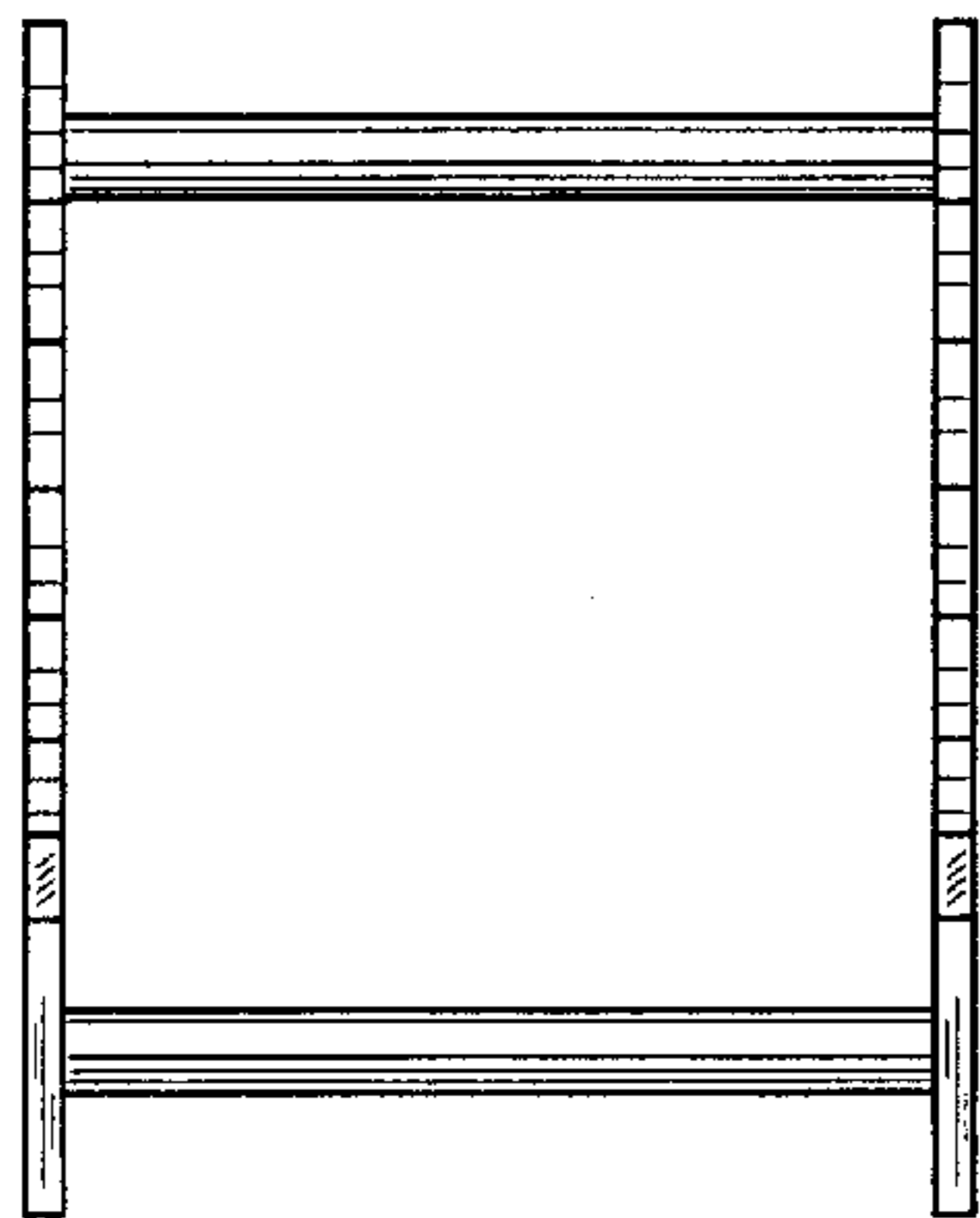


FIG. 3

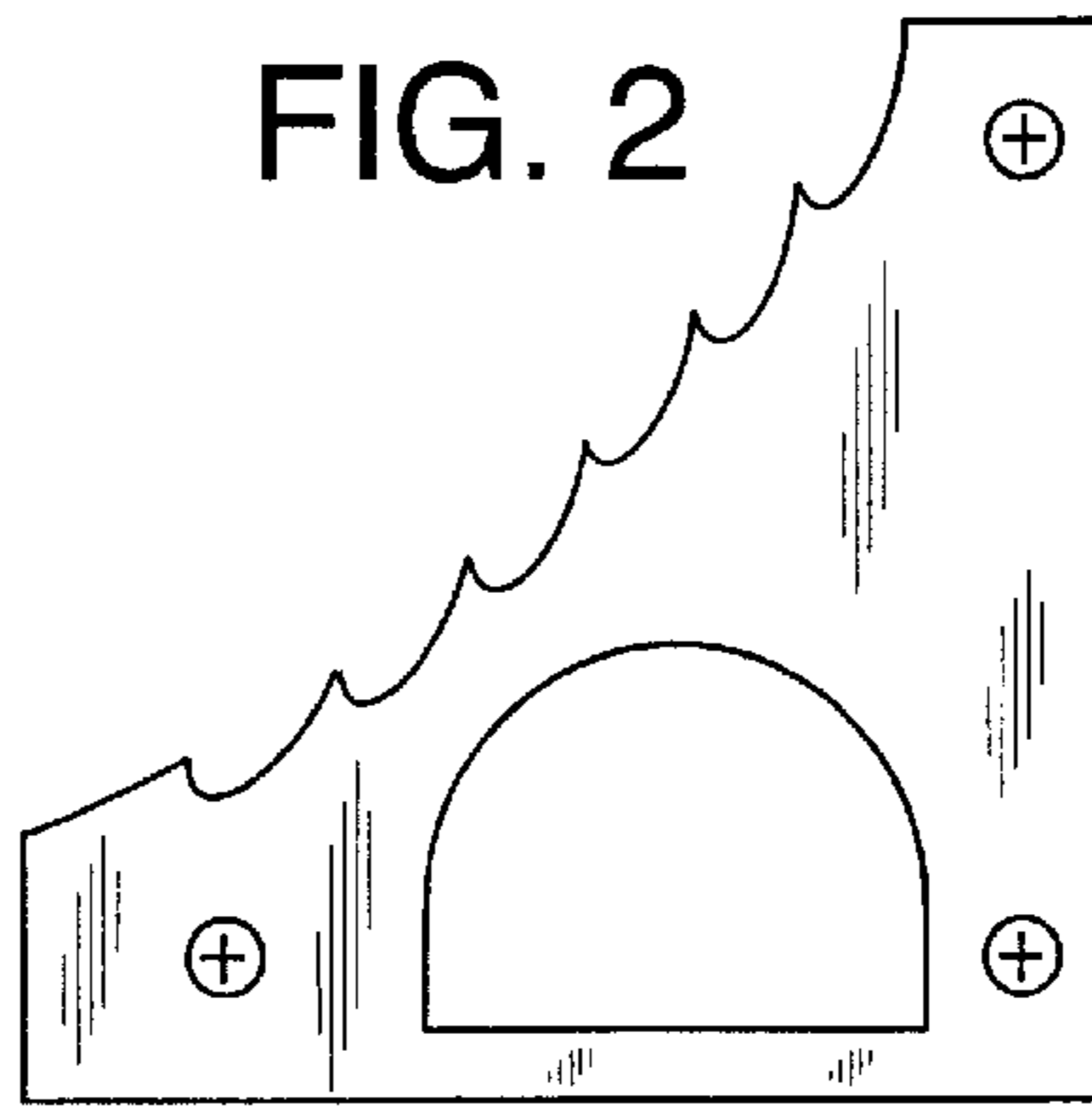


FIG. 2

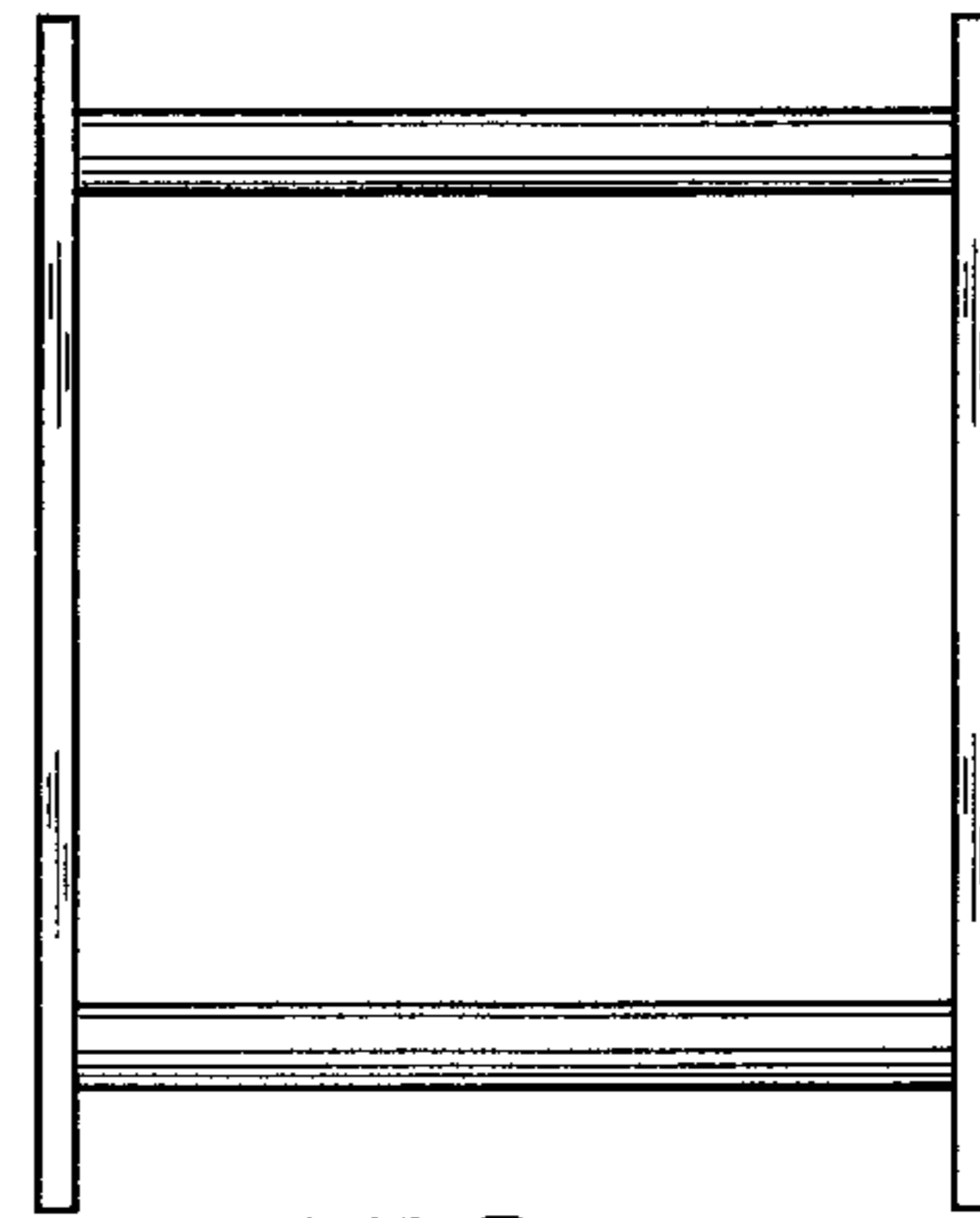


FIG. 4

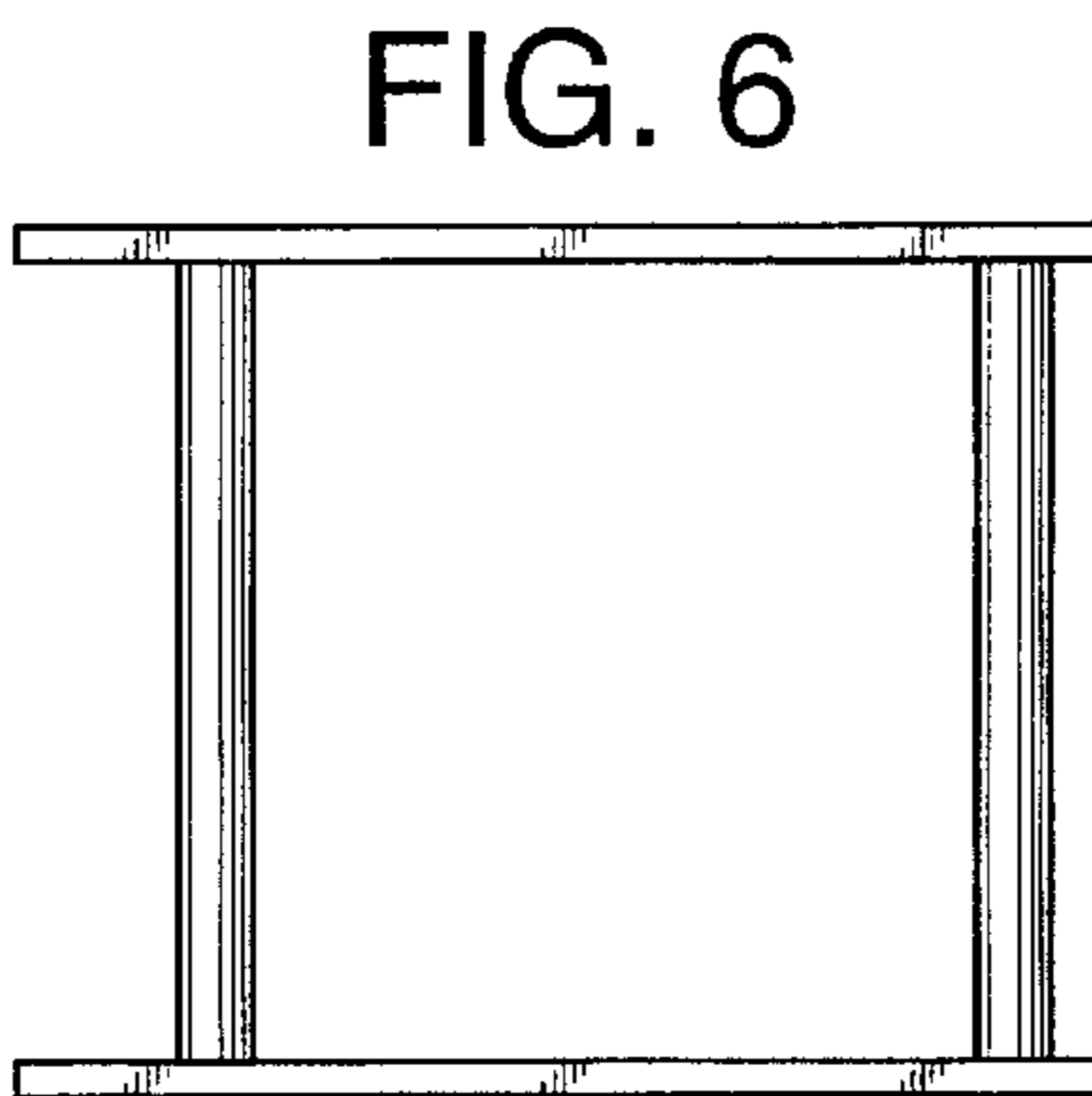


FIG. 6