

US00D502137S

(12) **United States Design Patent**
Blum

(10) **Patent No.:** **US D502,137 S**
(45) **Date of Patent:** **** Feb. 22, 2005**

(54) **FRONT FACE OF A VEHICLE WHEEL**

(75) **Inventor:** **Andreas Blum, Stuttgart (DE)**

(73) **Assignee:** **DaimlerChrysler AG, Stuttgart (DE)**

(**) **Term:** **14 Years**

(21) **Appl. No.:** **29/202,828**

(22) **Filed:** **Apr. 6, 2004**

(30) **Foreign Application Priority Data**

Oct. 7, 2003 (DE) 4 03 06 471

(51) **LOC (7) Cl.** **12-16**

(52) **U.S. Cl.** **D12/211**

(58) **Field of Search** D12/204-213;
301/37.101, 64.101, 65

(56) **References Cited**

U.S. PATENT DOCUMENTS

- D408,346 S * 4/1999 Goplen D12/211
- D409,548 S * 5/1999 Chung D12/209
- D436,912 S * 1/2001 Boyer D12/211
- D450,289 S * 11/2001 Chung D12/211
- D454,531 S * 3/2002 Amatino D12/211

- D471,852 S * 3/2003 Pfeiffer et al. D12/211
- D479,177 S * 9/2003 Nordmann D12/211
- D482,647 S * 11/2003 Lecher et al. D12/211
- D488,762 S * 4/2004 Cahyono D12/209

* cited by examiner

Primary Examiner—Stacia Cadmus

(74) *Attorney, Agent, or Firm*—Crowell & Moring LLP

(57) **CLAIM**

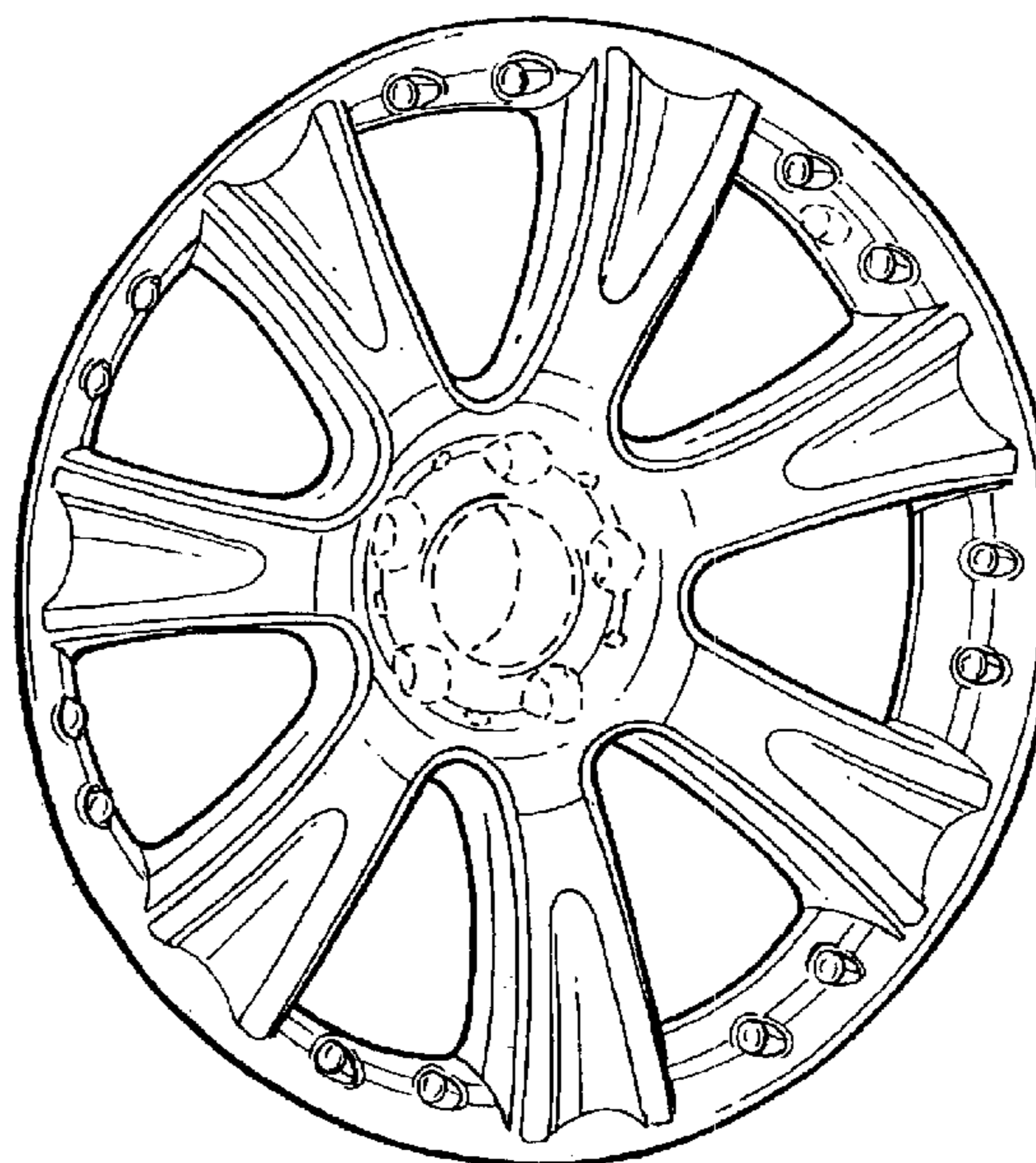
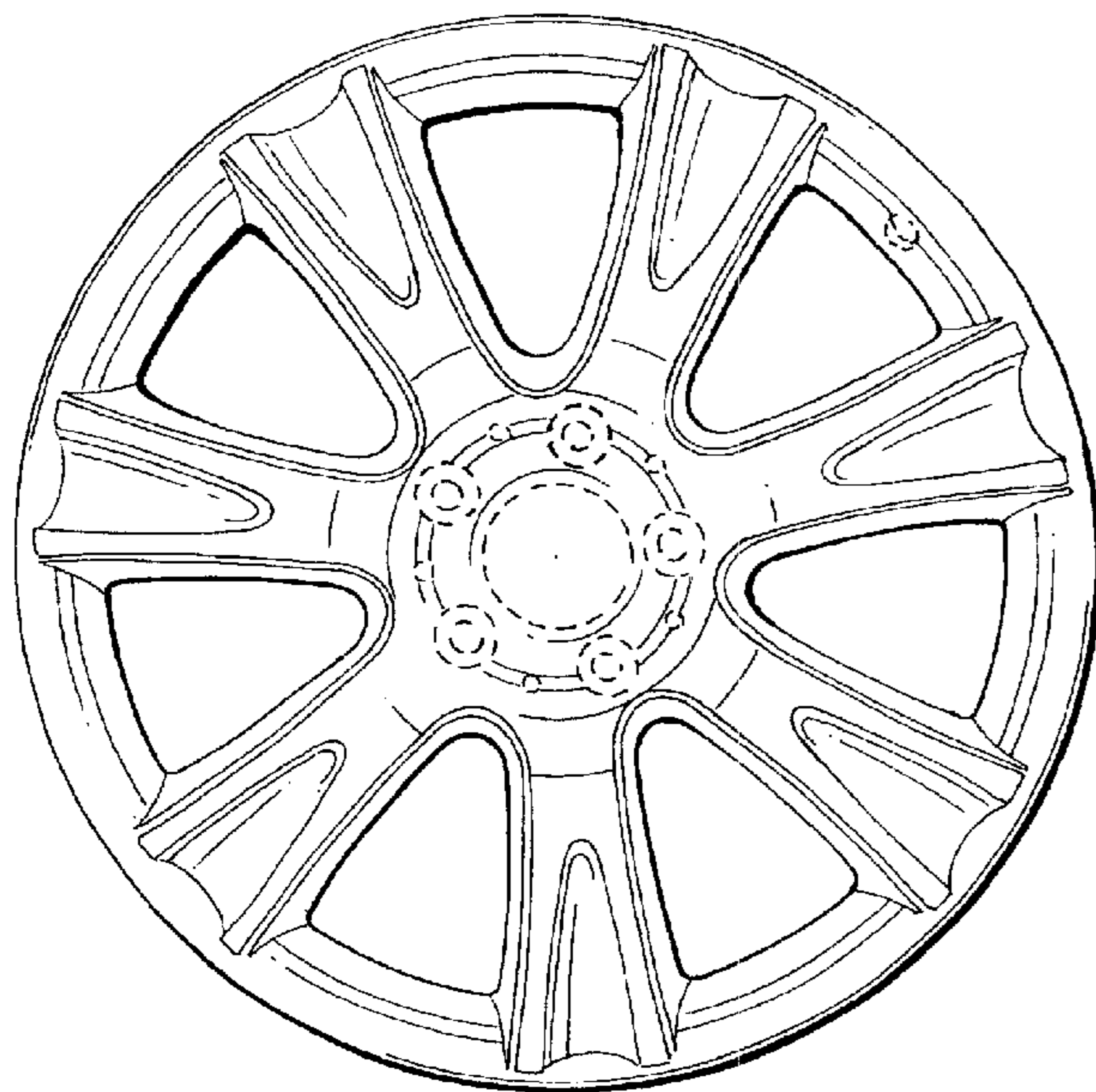
The ornamental design for a front face of a vehicle wheel, as shown and described.

DESCRIPTION

FIG. 1 is a front view of a first embodiment of a front face of a vehicle wheel according to my novel design; FIG. 2 is a perspective view of the first embodiment of the front face of a vehicle wheel according to my novel design; FIG. 3 is a front view of a second embodiment of the front face of a vehicle wheel according to my novel design; and, FIG. 4 is a perspective view of the second embodiment of the front face of a vehicle wheel according to my novel design.

The broken lines are for illustrative purposes only and form no part of the claimed design.

1 Claim, 2 Drawing Sheets



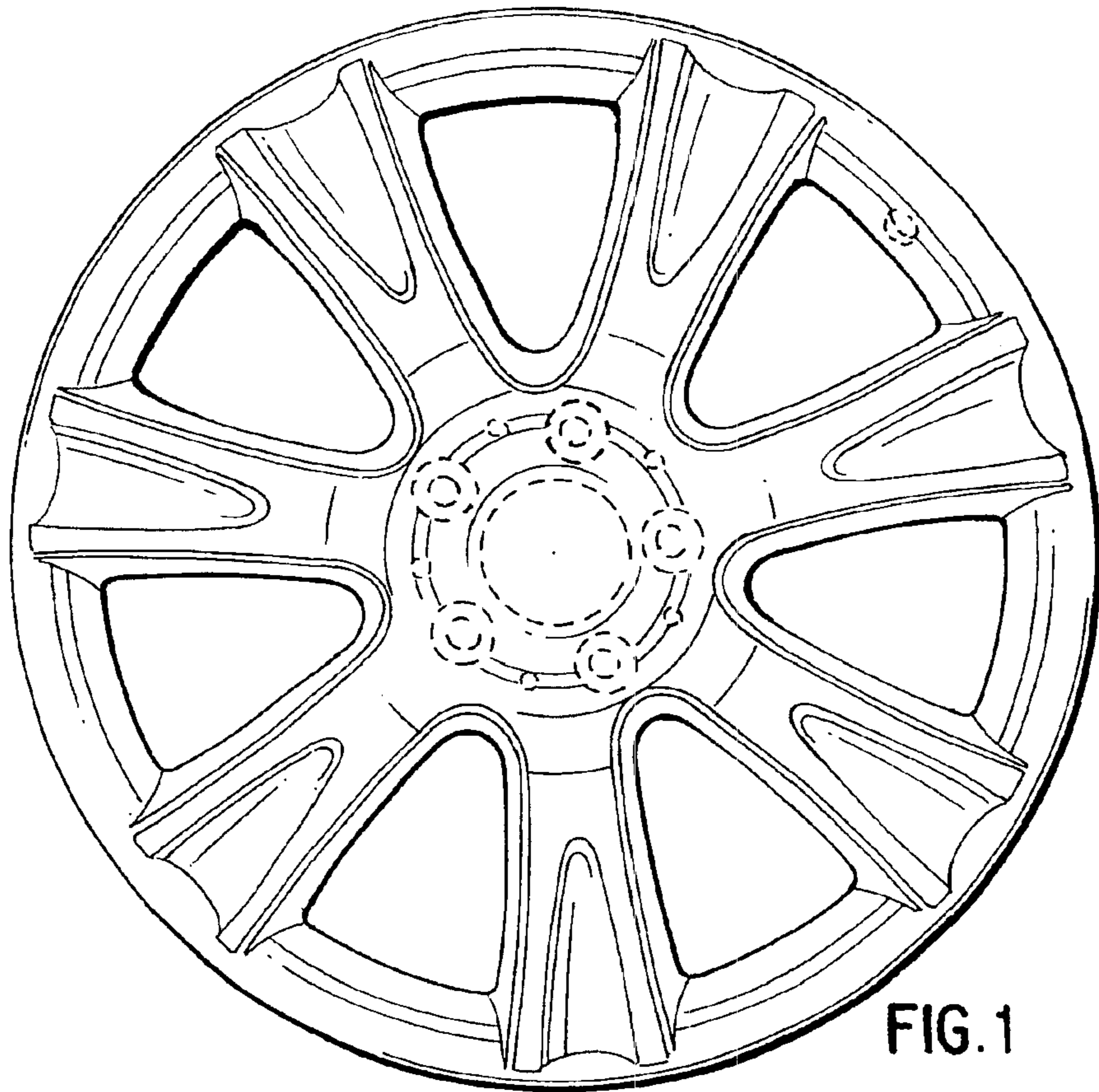


FIG. 1

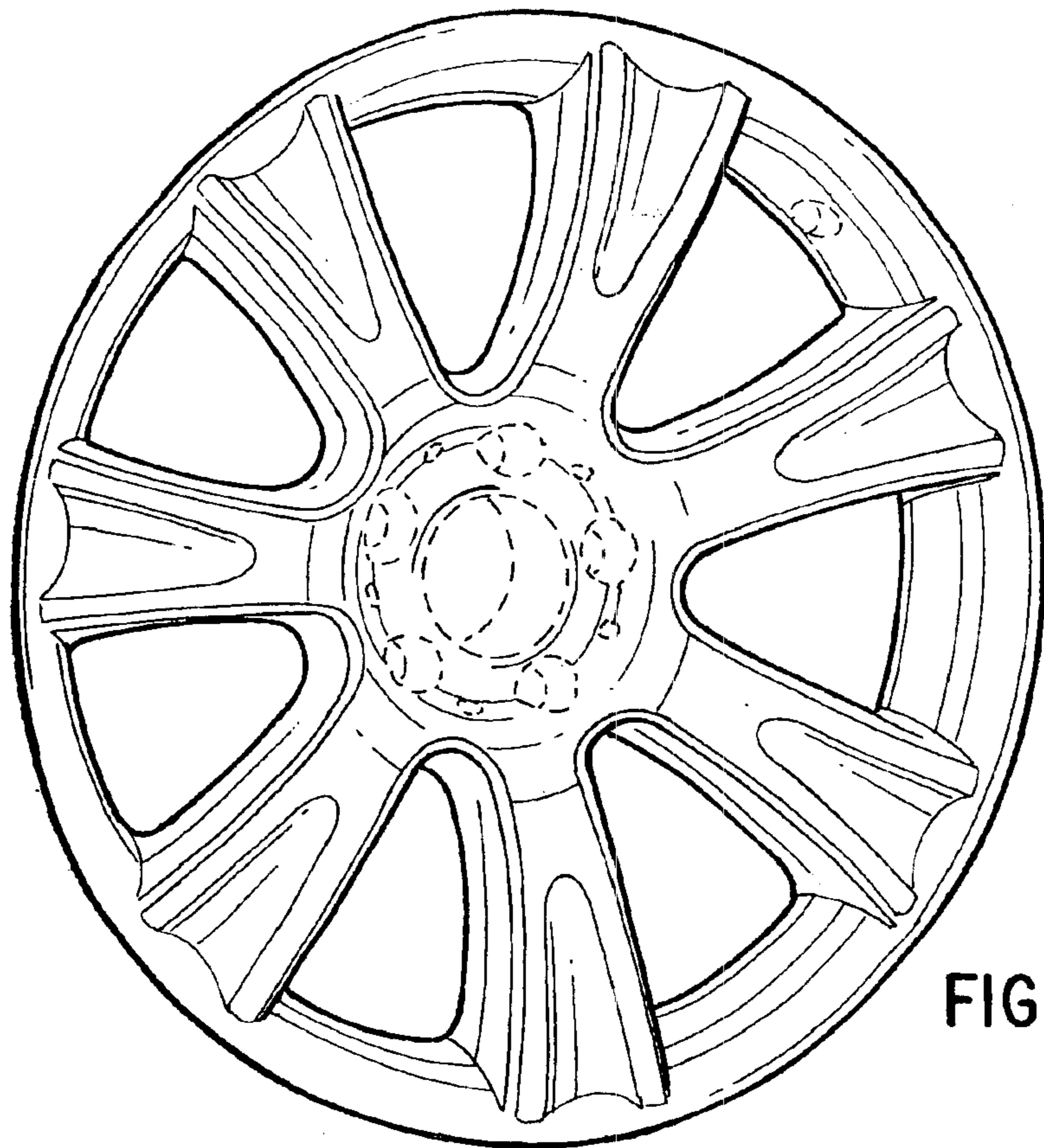


FIG. 2

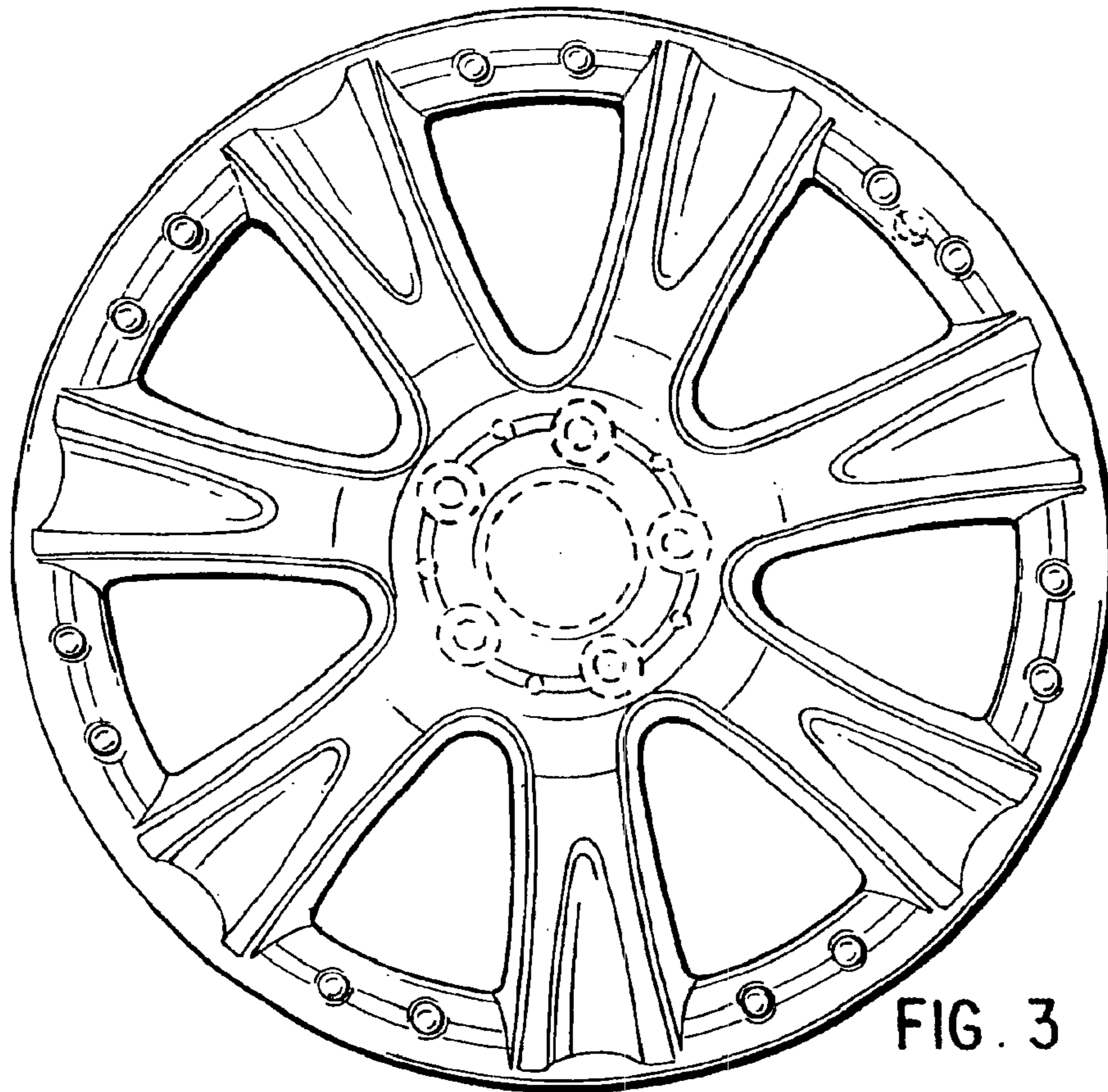


FIG. 3

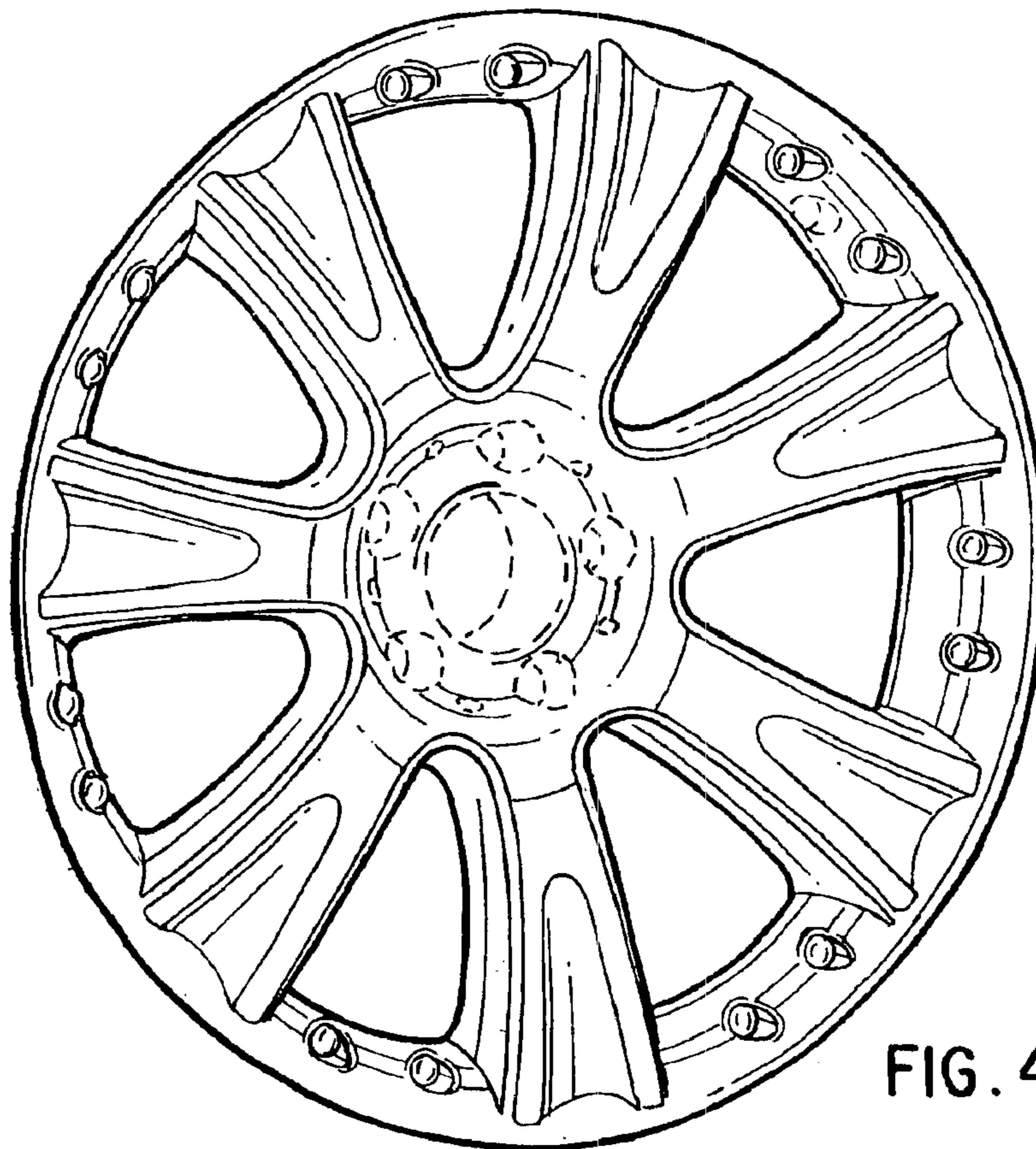


FIG. 4