

US00D502129S

(12) **United States Design Patent**  
**Nakajima**

(10) **Patent No.:** **US D502,129 S**

(45) **Date of Patent:** **\*\* Feb. 22, 2005**

(54) **STEERING WHEEL MOUNT**

D471,138 S \* 3/2003 Hisada et al. .... D12/176  
D471,496 S \* 3/2003 Tsurumi et al. .... D12/176

(75) **Inventor:** **Osamu Nakajima, Torrance, CA (US)**

\* cited by examiner

(73) **Assignee:** **Honda Motor Co., Ltd., Tokyo (JP)**

*Primary Examiner*—Melody N. Brown

(\*\*) **Term:** **14 Years**

(74) *Attorney, Agent, or Firm*—Plumsea Law Group, LLC

(21) **Appl. No.:** **29/195,247**

(57) **CLAIM**

(22) **Filed:** **Dec. 10, 2003**

The ornamental design for a steering wheel mount, as shown and described.

(51) **LOC (7) Cl.** ..... **12-16**

**DESCRIPTION**

(52) **U.S. Cl.** ..... **D12/176**

(58) **Field of Search** ..... D12/175-177;  
74/552, 558, 558.5

FIG. 1 is a perspective view of a steering wheel mount for a vehicle showing my new design, the sides being mirror images; and,

(56) **References Cited**

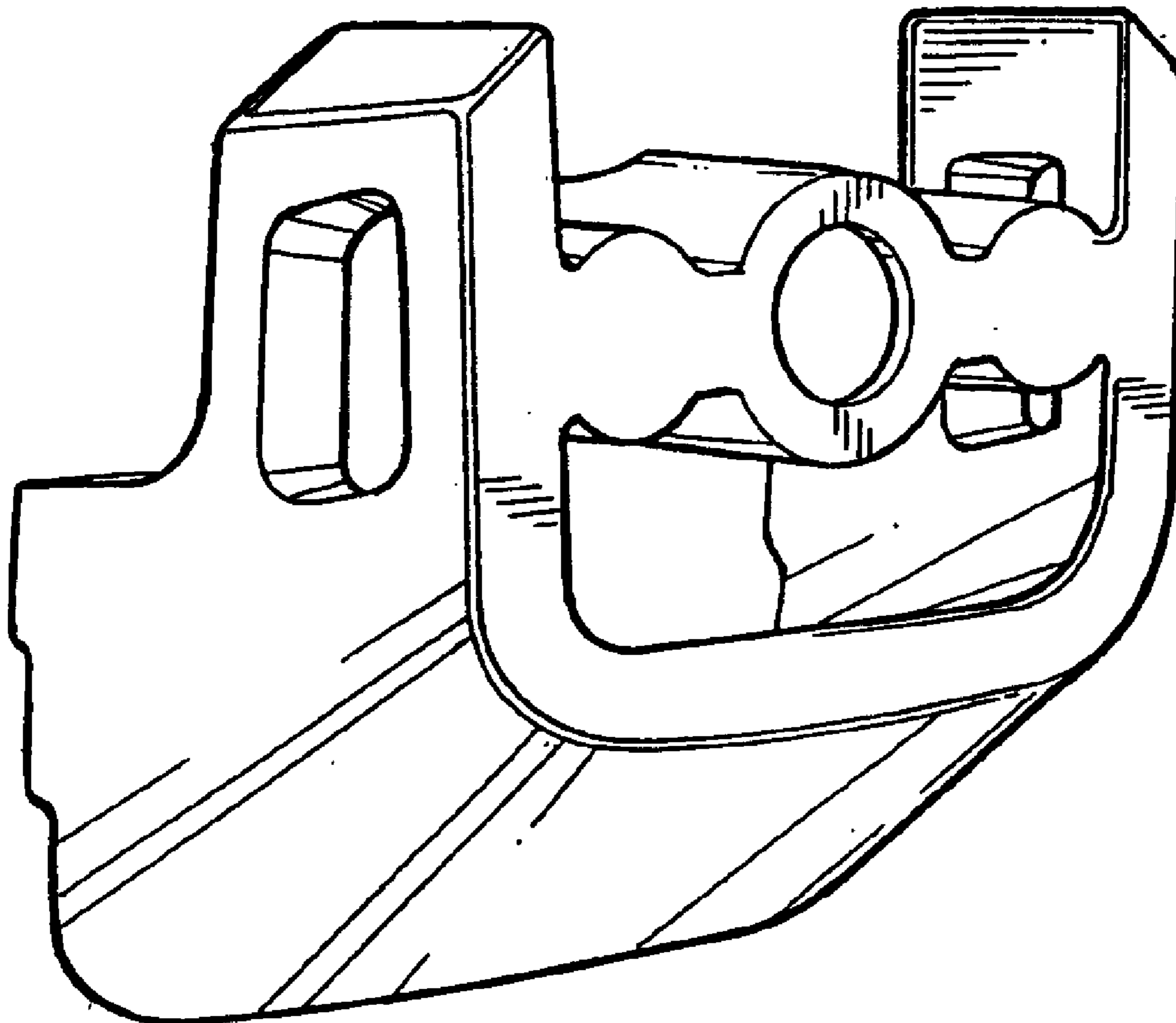
FIG. 2 is a front elevational view thereof.

**U.S. PATENT DOCUMENTS**

The rear view is omitted and is not claimed as part of the design.

- D426,504 S \* 6/2000 Hartog ..... D12/177
- D462,039 S \* 8/2002 Larocque ..... D12/176
- D470,087 S \* 2/2003 Akiyama et al. .... D12/176

**1 Claim, 1 Drawing Sheet**



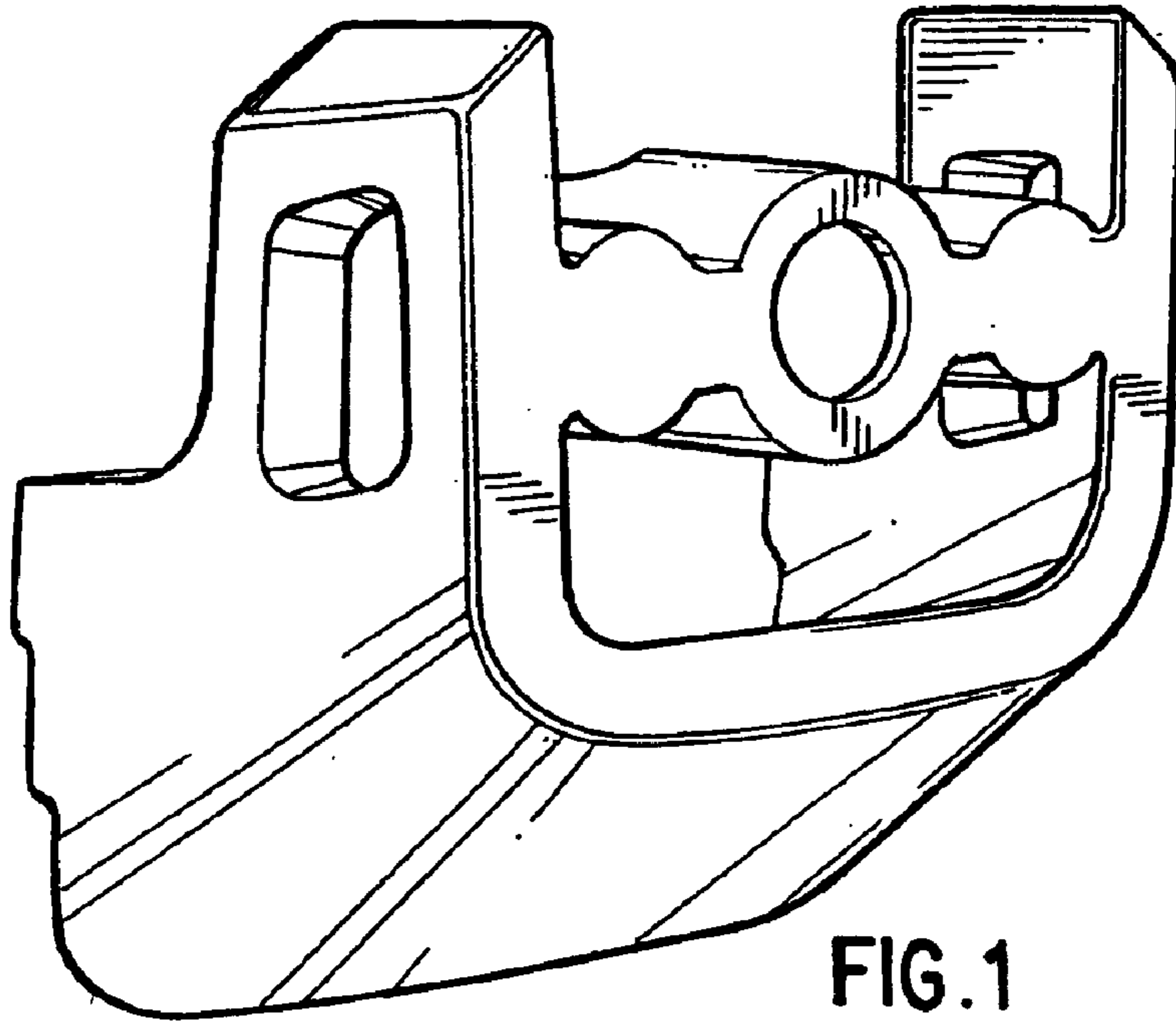


FIG. 1

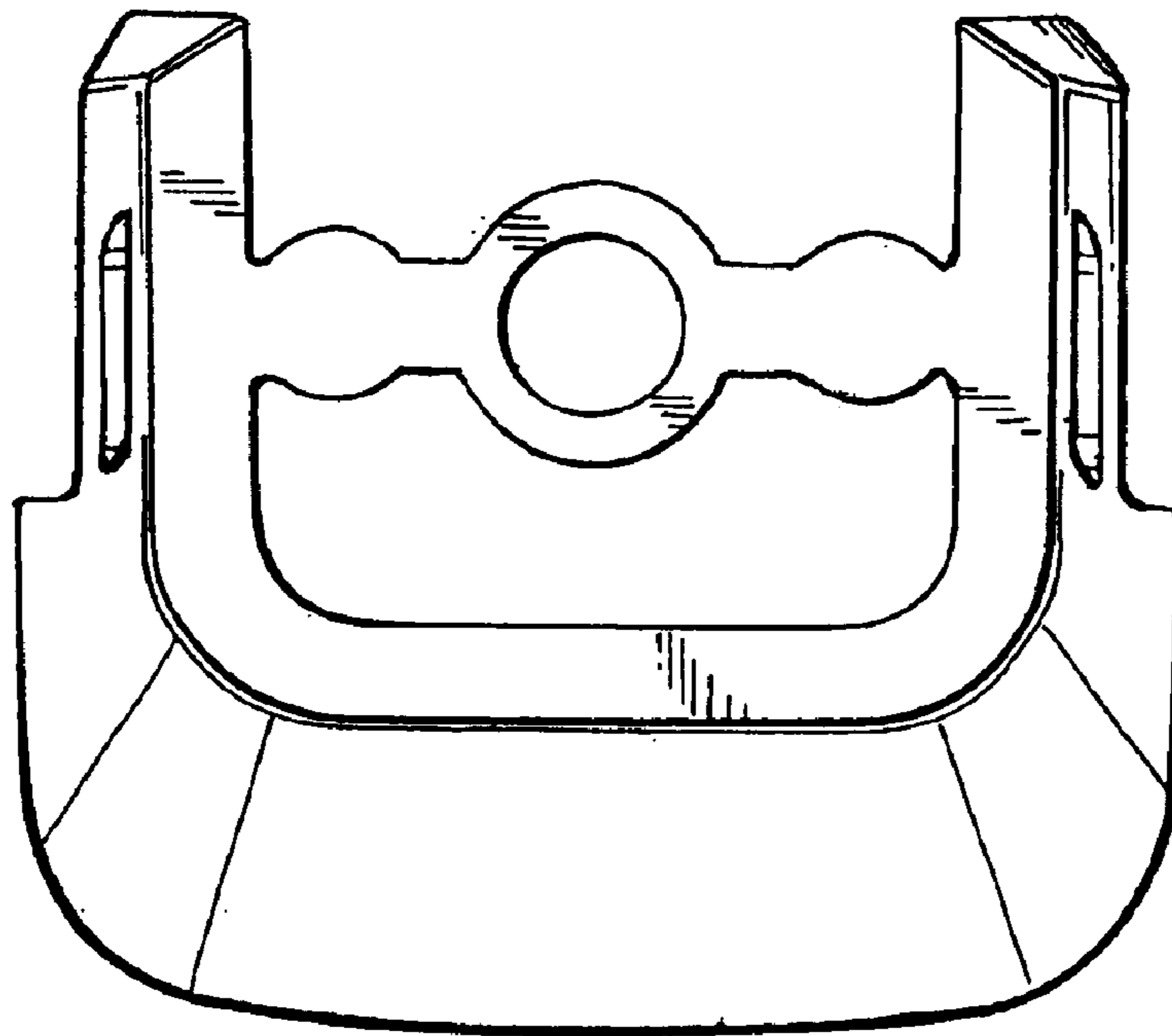


FIG. 2