

US00D502127S

(12) **United States Design Patent**  
**Pappas**

(10) **Patent No.:** **US D502,127 S**  
(45) **Date of Patent:** **\*\* Feb. 22, 2005**

(54) **BICYCLE RACK**

**DESCRIPTION**

(76) Inventor: **Mark Pappas**, P.O. Box 2458, Rancho Mirage, CA (US) 92270-1087

(\*\*) Term: **14 Years**

(21) Appl. No.: **29/188,163**

(22) Filed: **Aug. 13, 2003**

(51) **LOC (7) Cl.** ..... **12-11**

(52) **U.S. Cl.** ..... **D12/115**

(58) **Field of Search** ..... **D12/115, 408;**  
**211/17-22; 224/42.11, 309, 537, 545, 924**

(56) **References Cited**

**U.S. PATENT DOCUMENTS**

D372,691 S \* 8/1996 Eason ..... D12/115  
D391,902 S \* 3/1998 Pappas ..... D12/115

\* cited by examiner

*Primary Examiner*—Alan P. Douglas

*Assistant Examiner*—Linda Brooks

(57) **CLAIM**

The ornamental design for a bicycle rack, substantially as shown and described.

FIG. 1 is a side elevation view showing a bicycle rack according to my new design, showing a bicycle in dashed lines, the bicycle not forming a part of my design;

FIG. 2 is a perspective view showing a bicycle rack;

FIG. 3 is another perspective view showing the bicycle rack;

FIG. 4 is a left side elevation view showing the bicycle rack, and showing in dashed lines a base bracket, not forming a part of the design;

FIG. 5 is a right side elevation view showing the bicycle rack and showing in dashed lines a base bracket, not forming a part of the design;

FIG. 6 is a top plan view showing the bicycle rack;

FIG. 7 is a bottom plan view showing the bicycle rack;

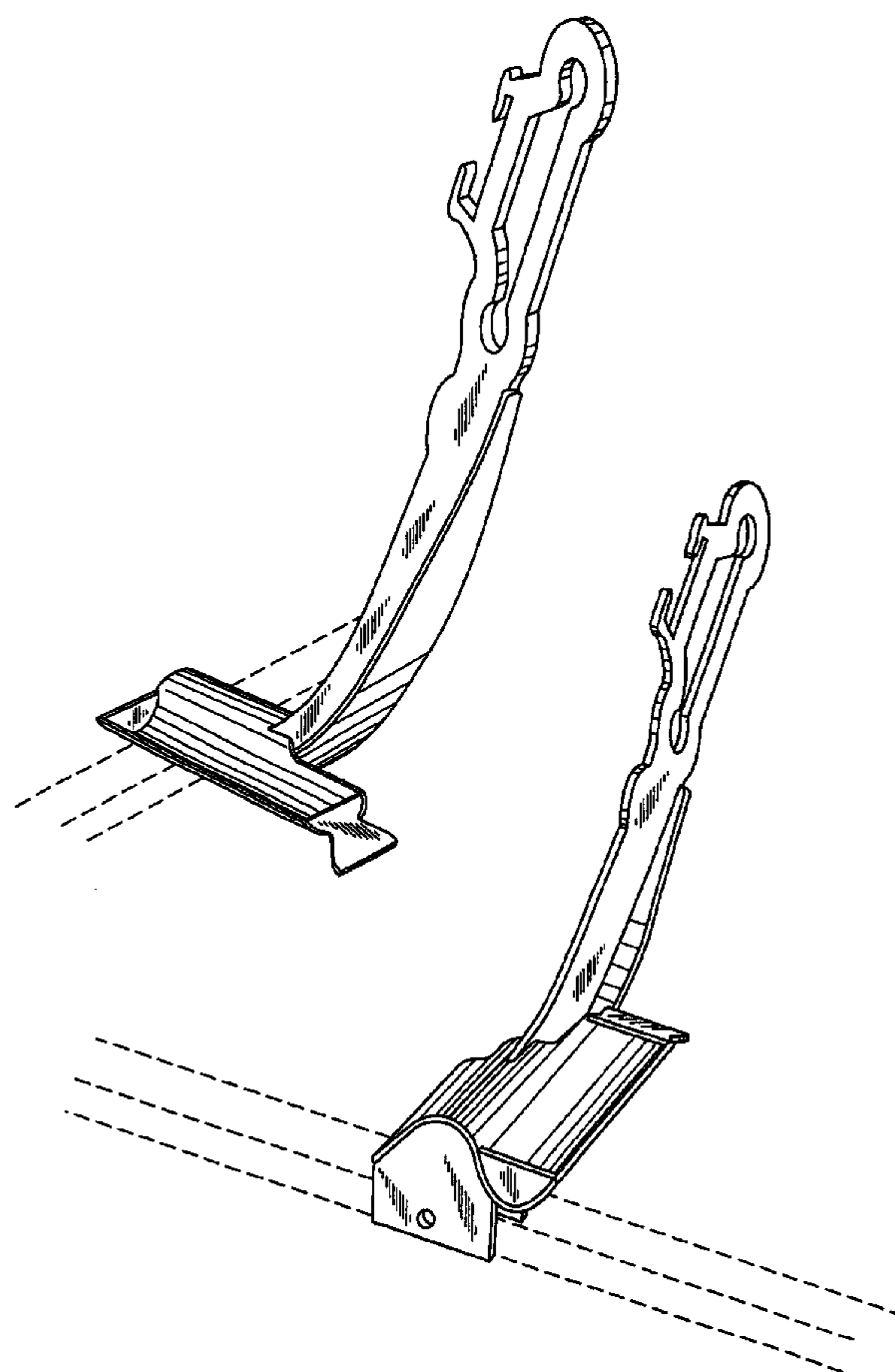
FIG. 8 is a front elevation of the bicycle rack;

FIG. 9 is a rear elevation of the bicycle rack;

FIG. 10 is a left side elevation view showing a slightly modified second embodiment of a bicycle rack according to my design; and,

FIG. 11 is a right side elevation view showing the modified bicycle rack of FIG. 10.

**1 Claim, 5 Drawing Sheets**



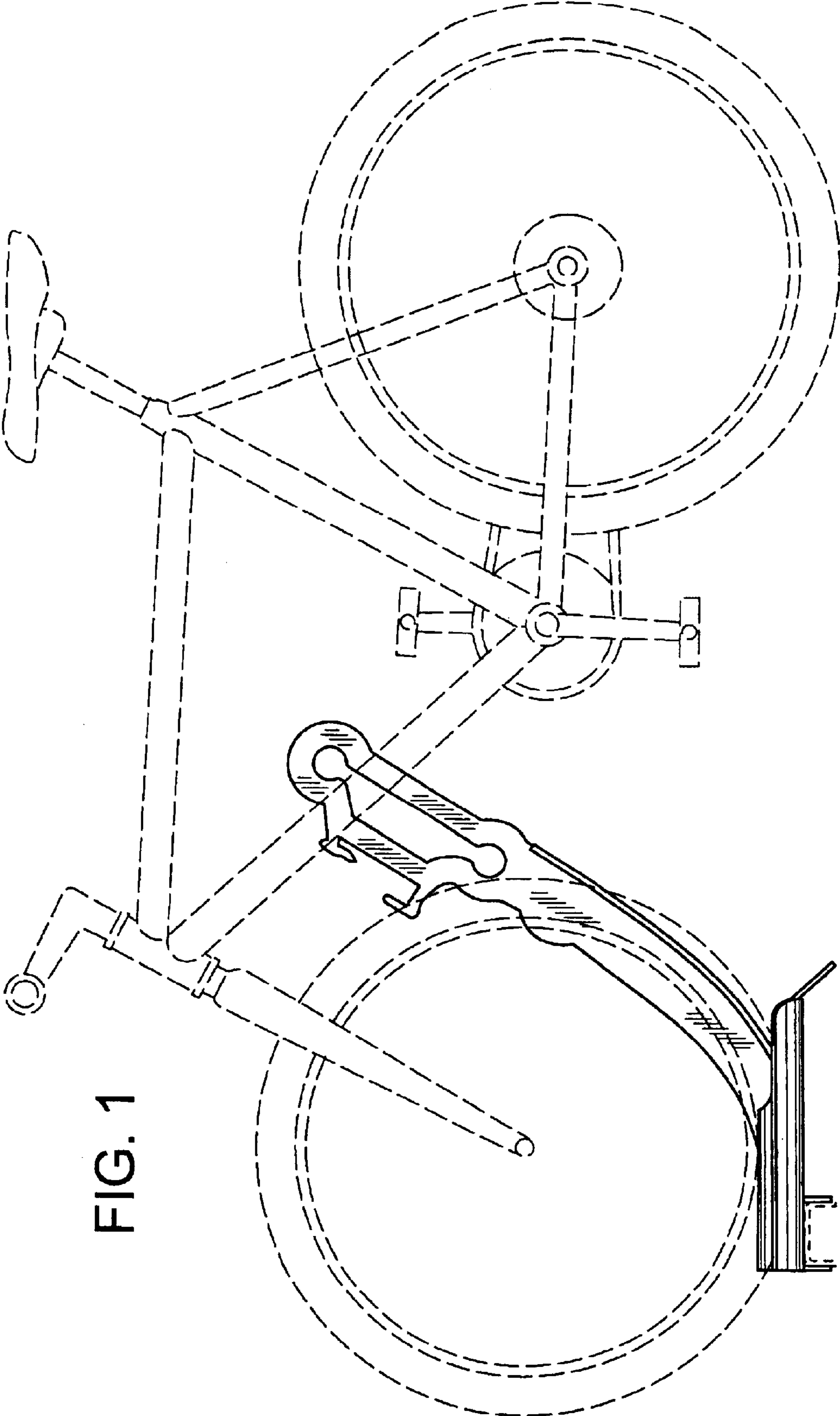


FIG. 1

FIG. 2

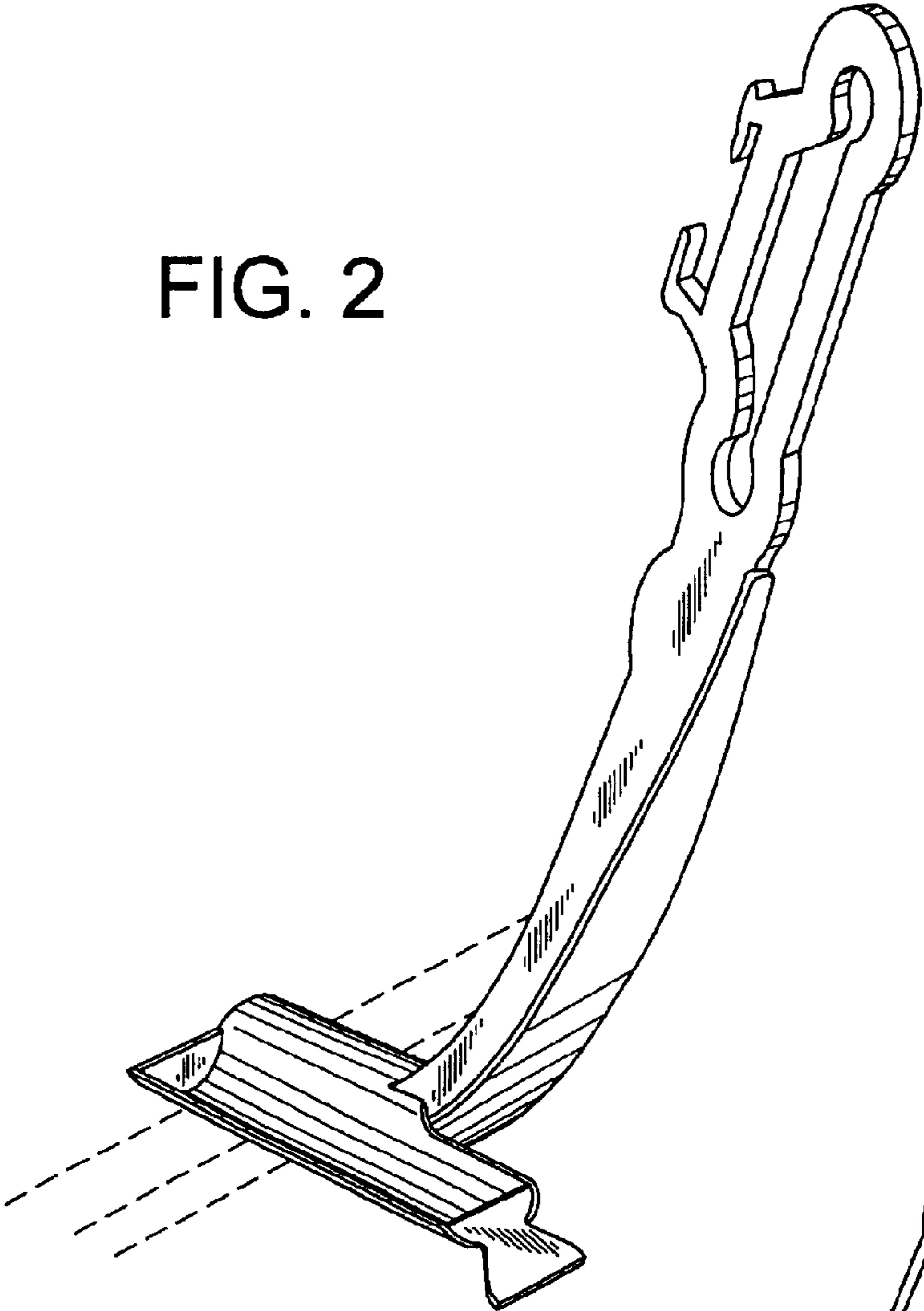


FIG. 3

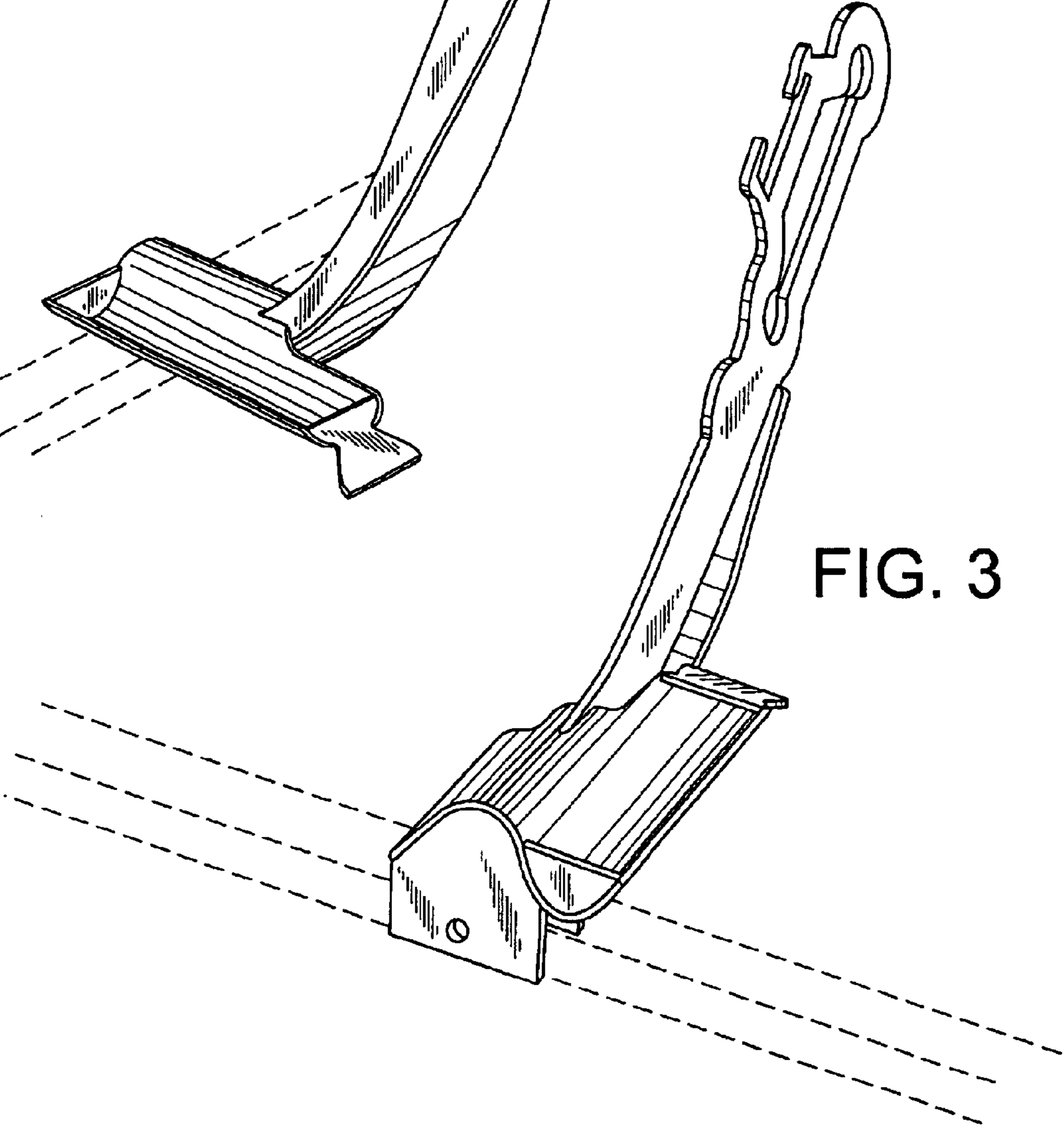


FIG. 4

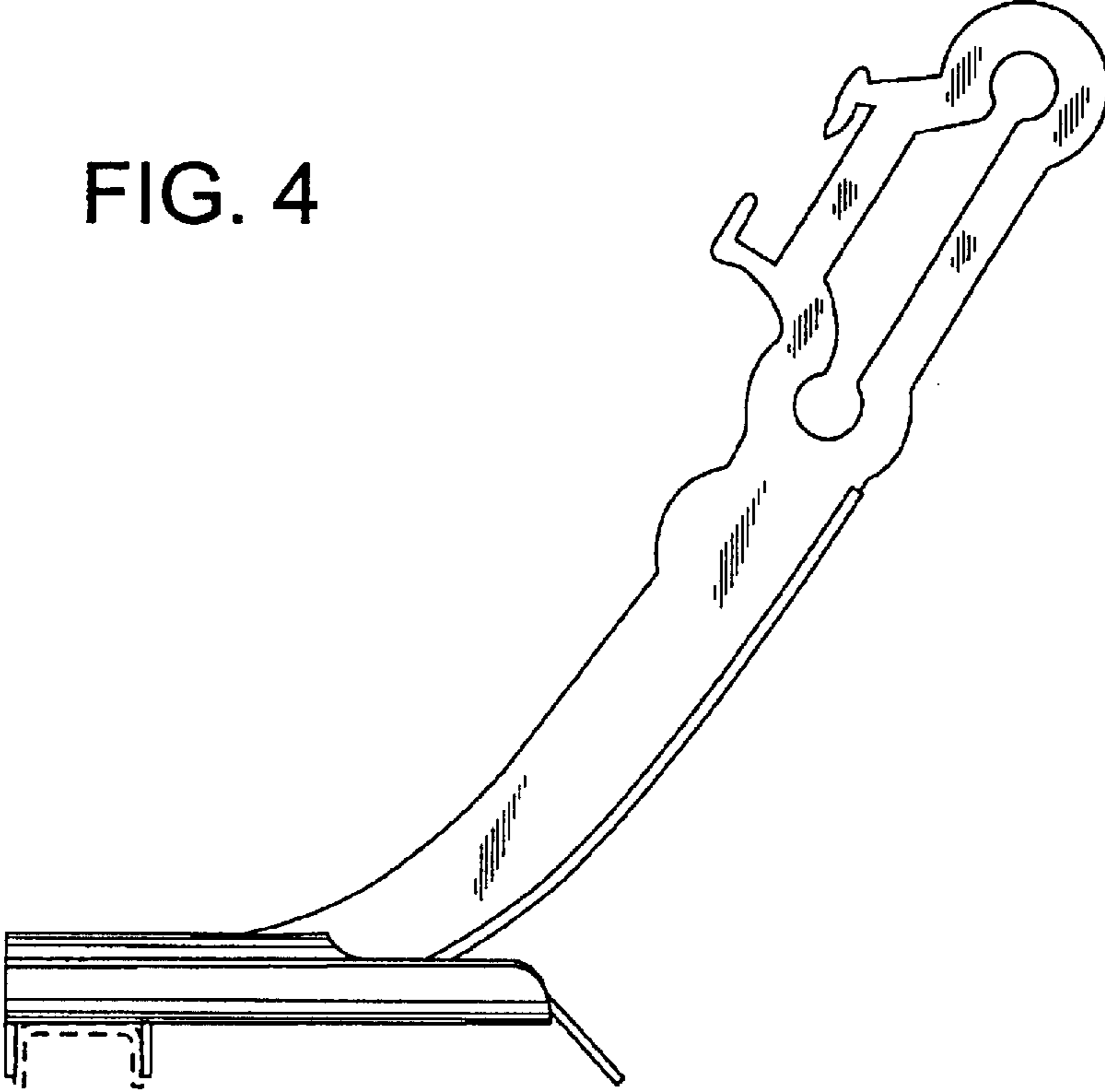
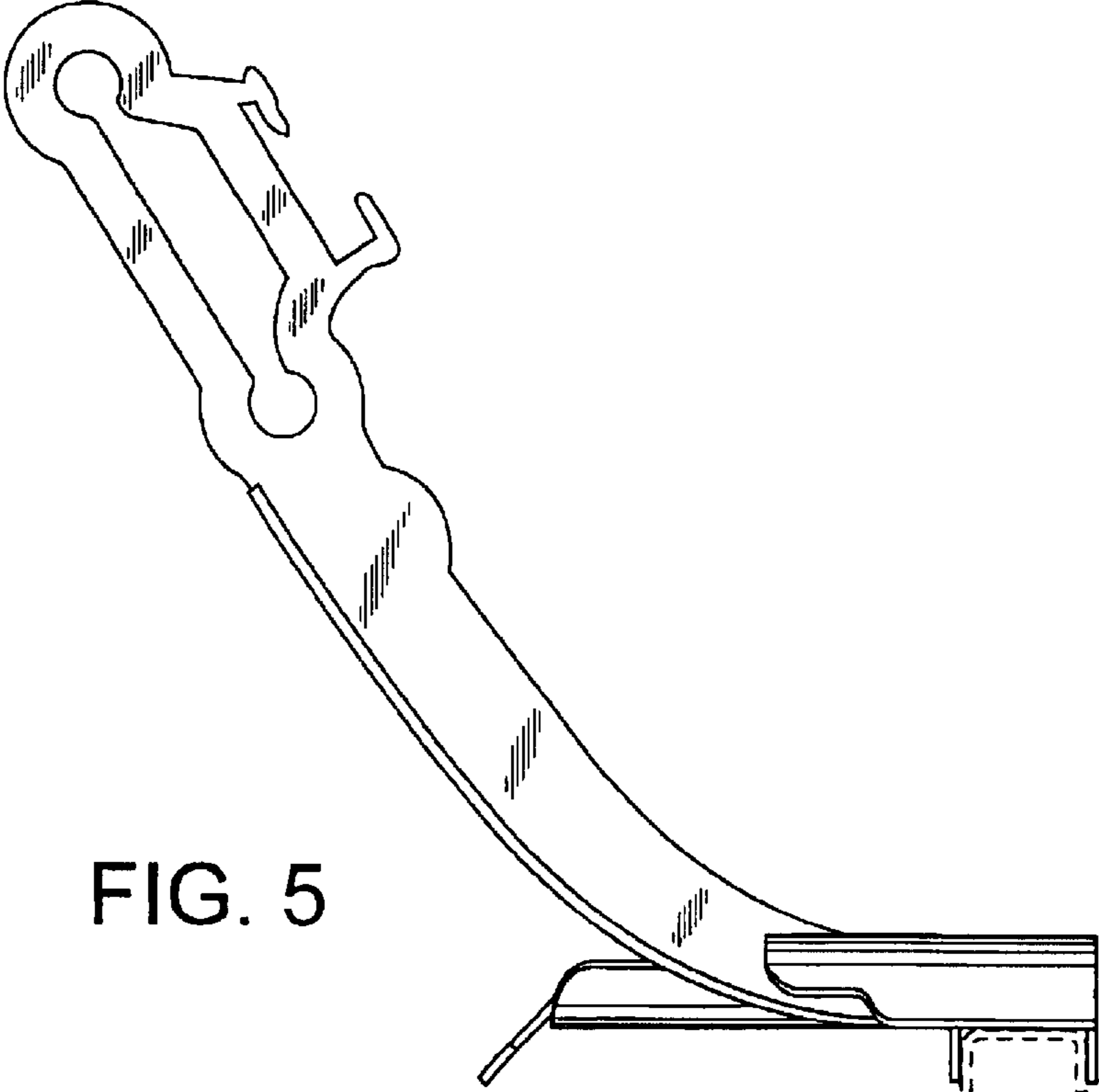


FIG. 5



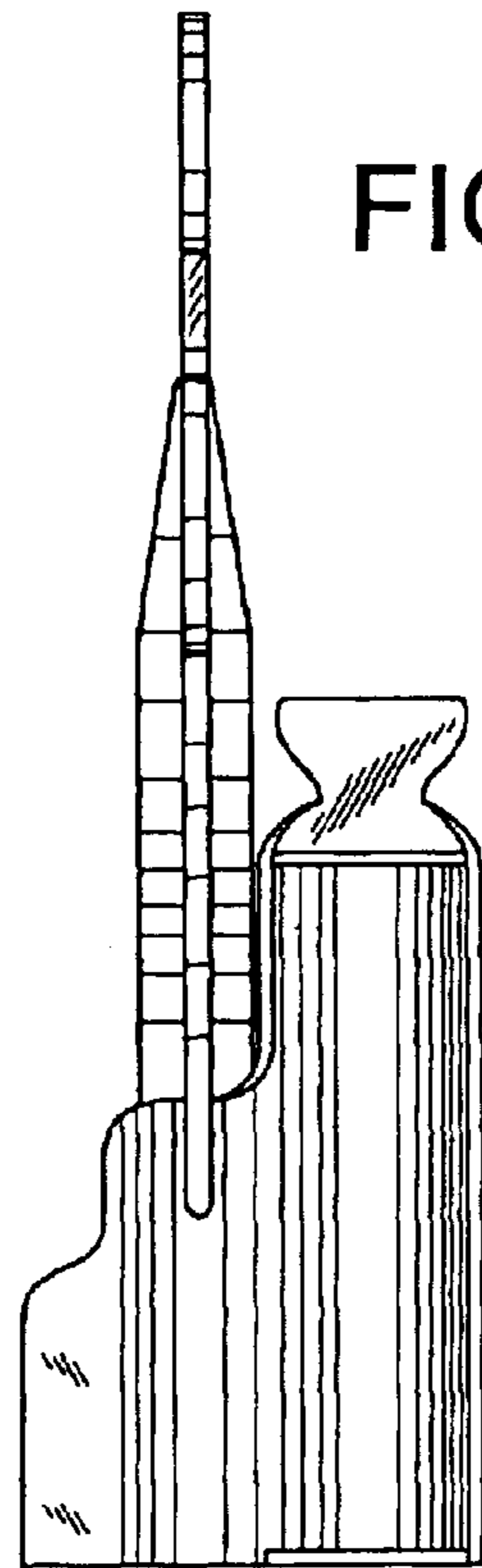


FIG. 6

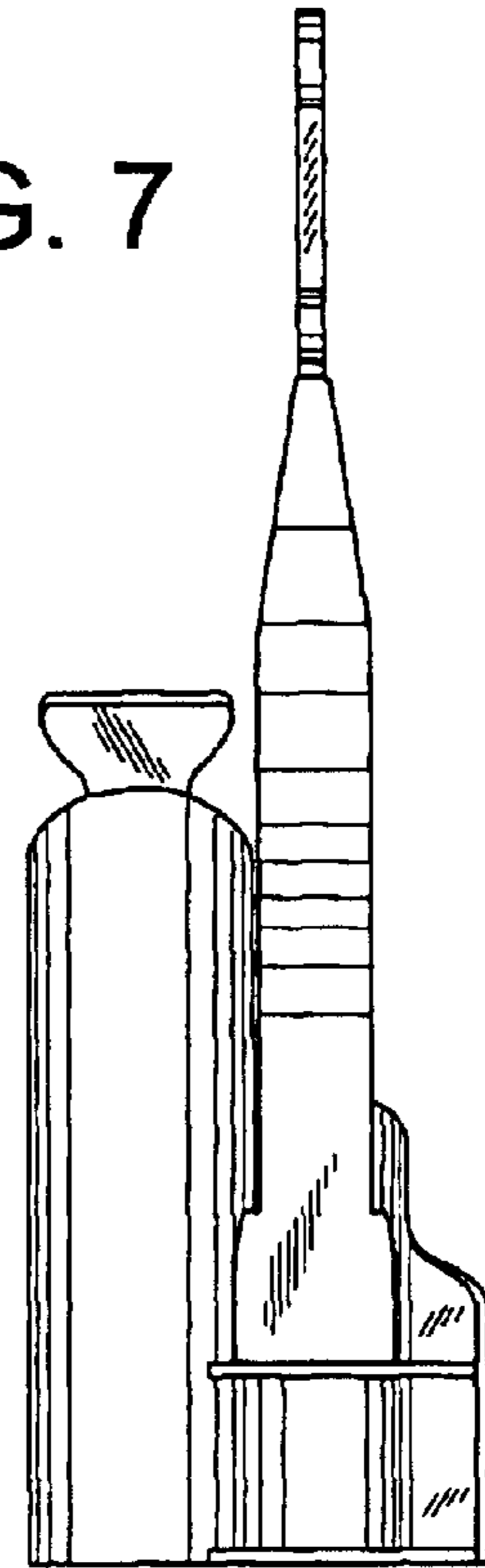


FIG. 7

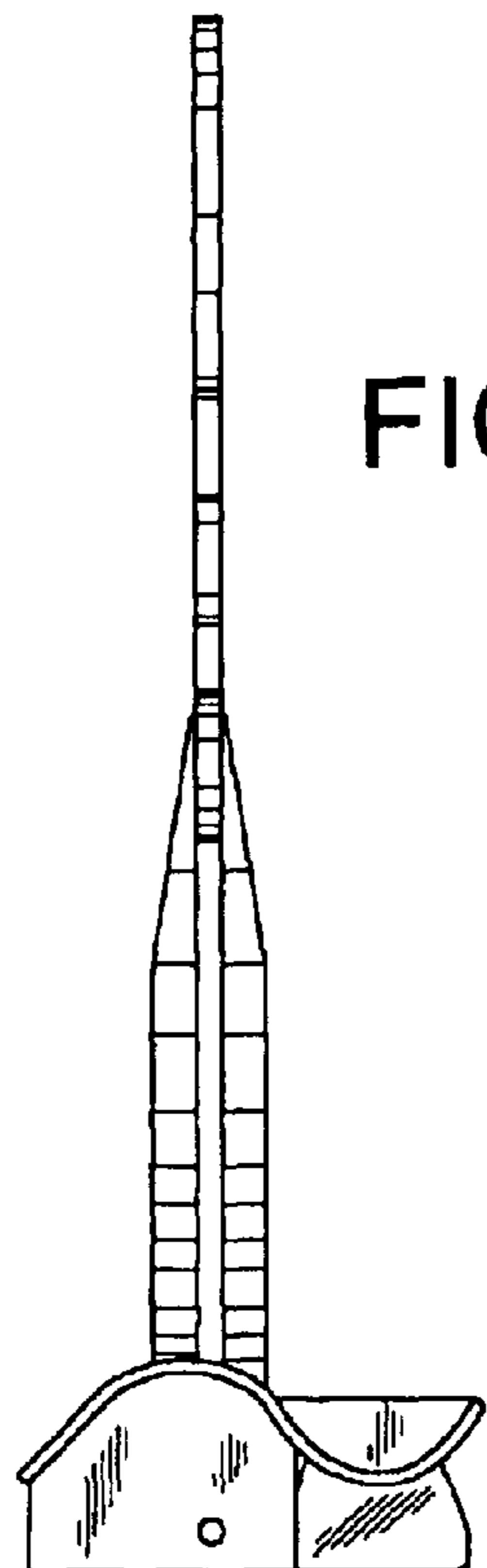


FIG. 8

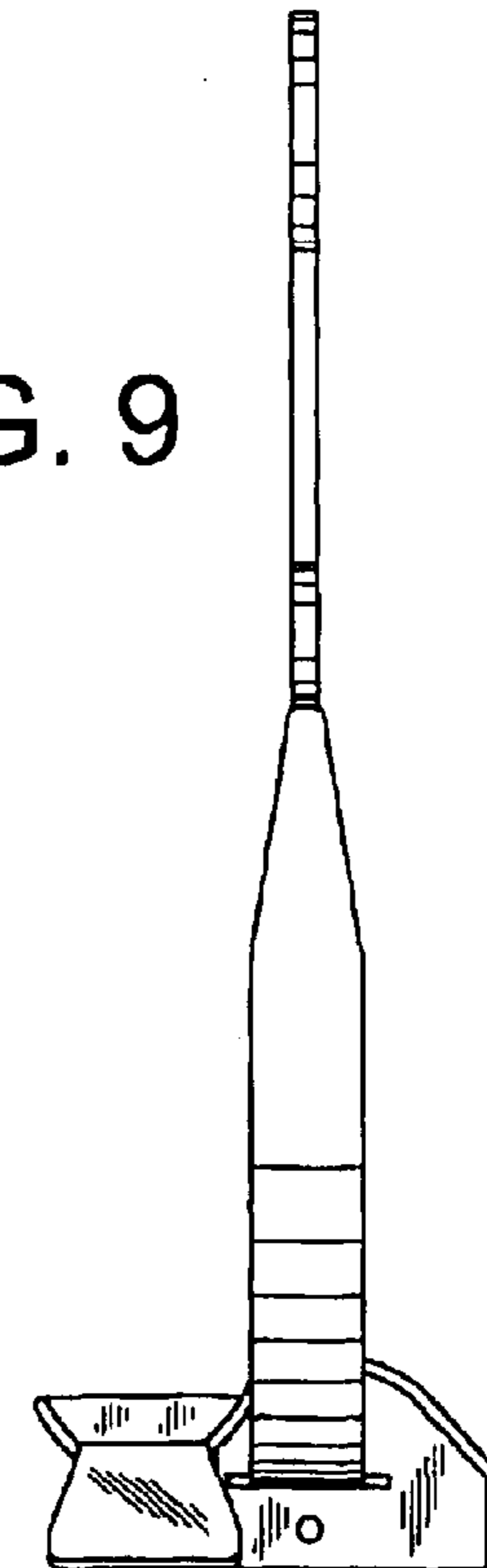


FIG. 9

FIG. 10

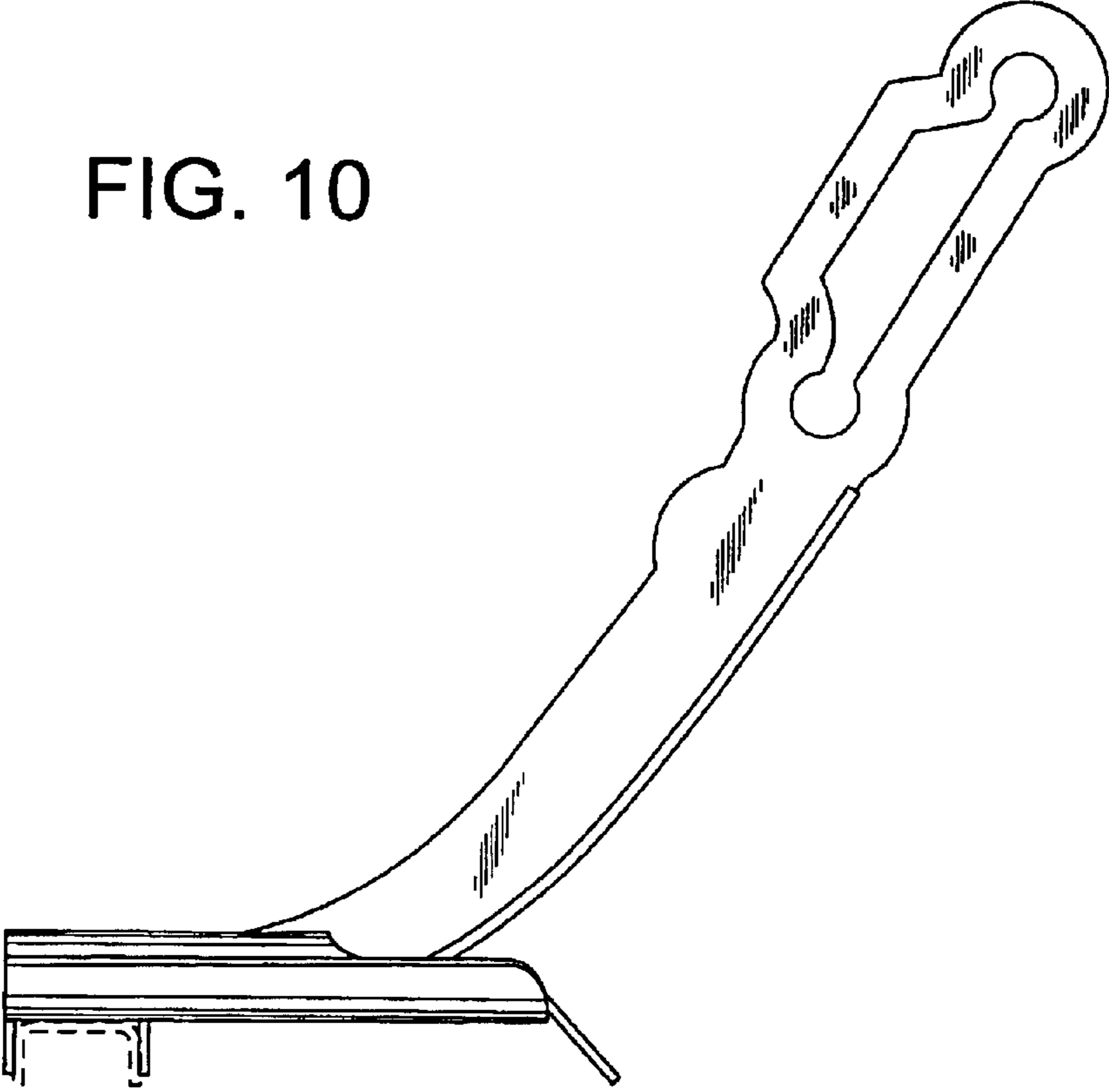


FIG. 11

