

US00D502116S

(12) **United States Design Patent**
Jordil et al.

(10) **Patent No.:** **US D502,116 S**

(45) **Date of Patent:** **** Feb. 22, 2005**

(54) **PROBE**

(75) Inventors: **Pascal Jordil**, Ecoteaux (CH); **Claude Rouge**, Baulmes (CH); **Adriano Zanier**, Prilly (CH)

(73) Assignee: **TESA SA**, Renens (CH)

(**) Term: **14 Years**

(21) Appl. No.: **29/192,903**

(22) Filed: **Oct. 30, 2003**

(30) **Foreign Application Priority Data**

May 2, 2003 (CH) 129476

(51) **LOC (7) Cl.** **10-04**

(52) **U.S. Cl.** **D10/70**

(58) **Field of Search** D10/70; 33/561,
33/566; 73/866.5

(56) **References Cited**

U.S. PATENT DOCUMENTS

5,088,337 A * 2/1992 Bennett 73/866.5

D327,854 S * 7/1992 Bennett D10/70
5,756,886 A * 5/1998 Nishimura et al. 33/561
2004/0149057 A1 * 8/2004 Jordil et al. 73/866.5

* cited by examiner

Primary Examiner—Antoine D. Davis

(74) *Attorney, Agent, or Firm*—Pearn & Gordon LLP

(57) **CLAIM**

The ornamental design for a probe, as shown and described.

DESCRIPTION

FIG. 1 is a side view of the probe showing our new design.

FIG. 2 is an opposite side view thereof.

FIG. 3 is a front view thereof.

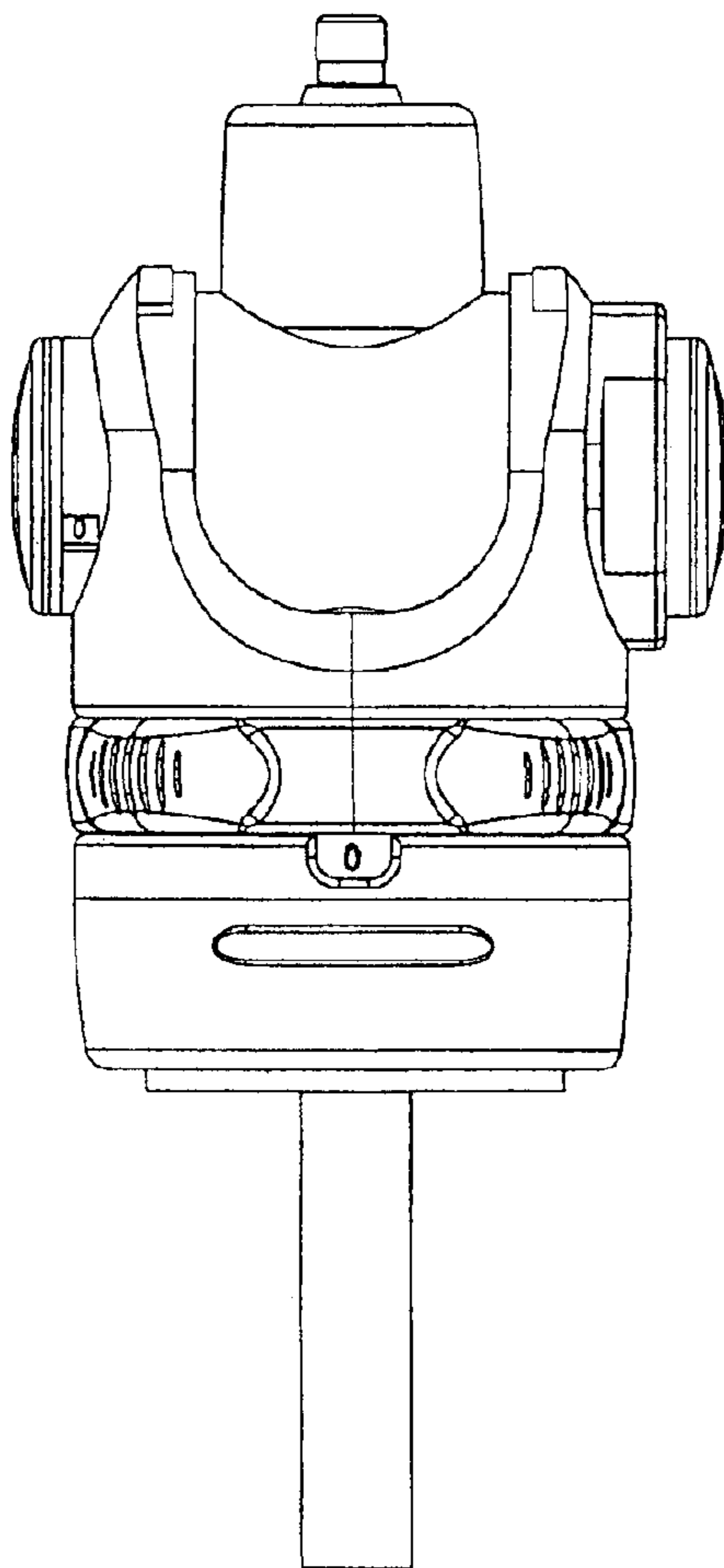
FIG. 4 is a rear view thereof.

FIG. 5 is a bottom view thereof.

FIG. 6 is top view thereof; and,

FIG. 7 is a perspective view thereof.

1 Claim, 7 Drawing Sheets



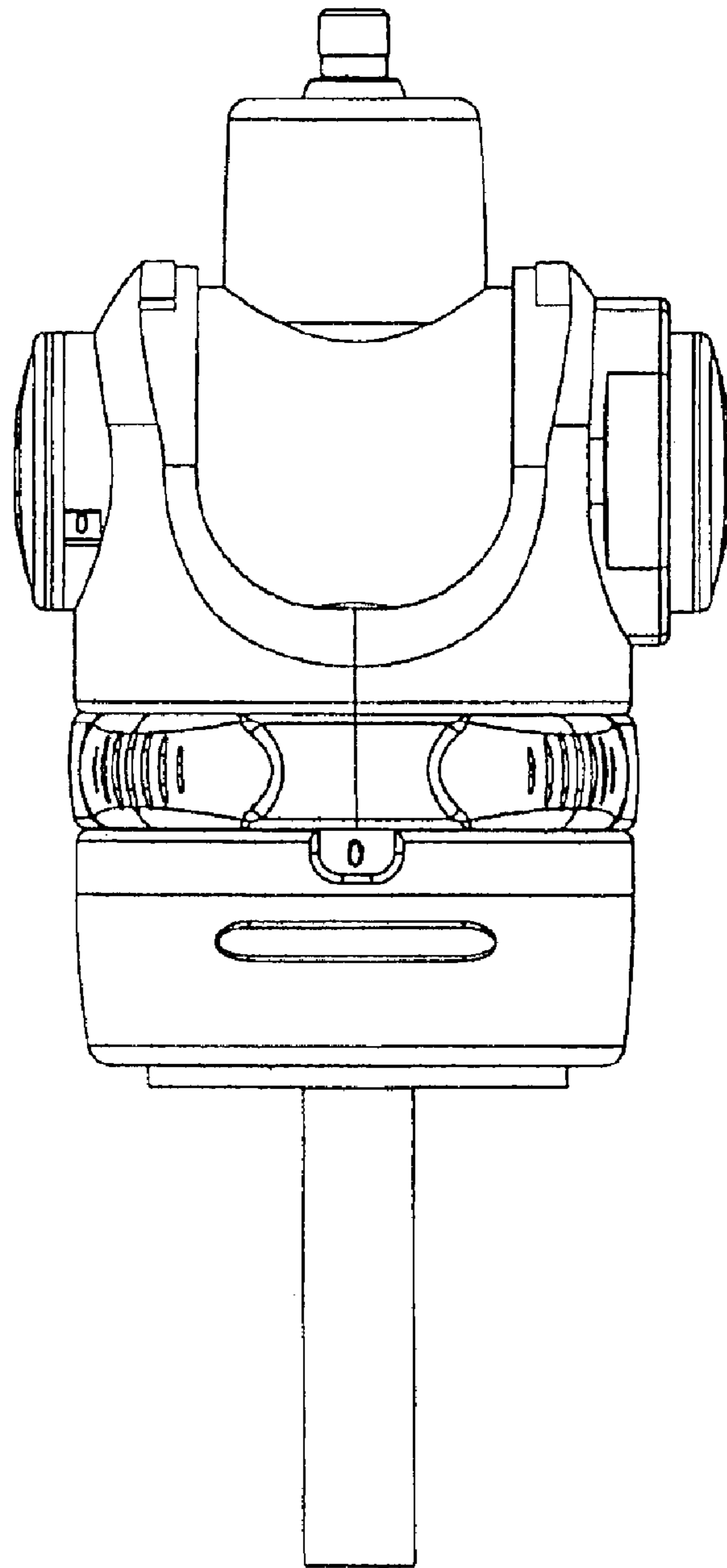


FIG. 1

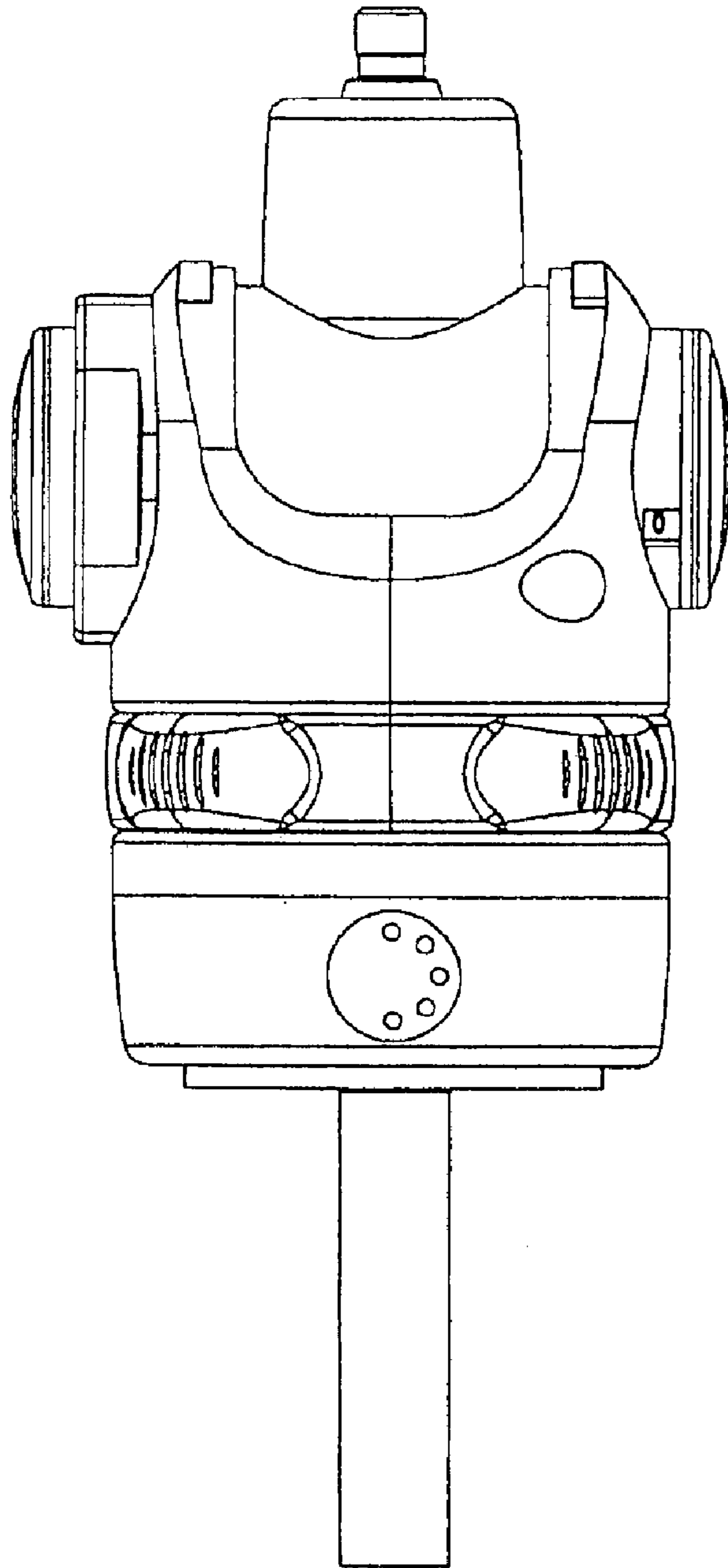


FIG. 2

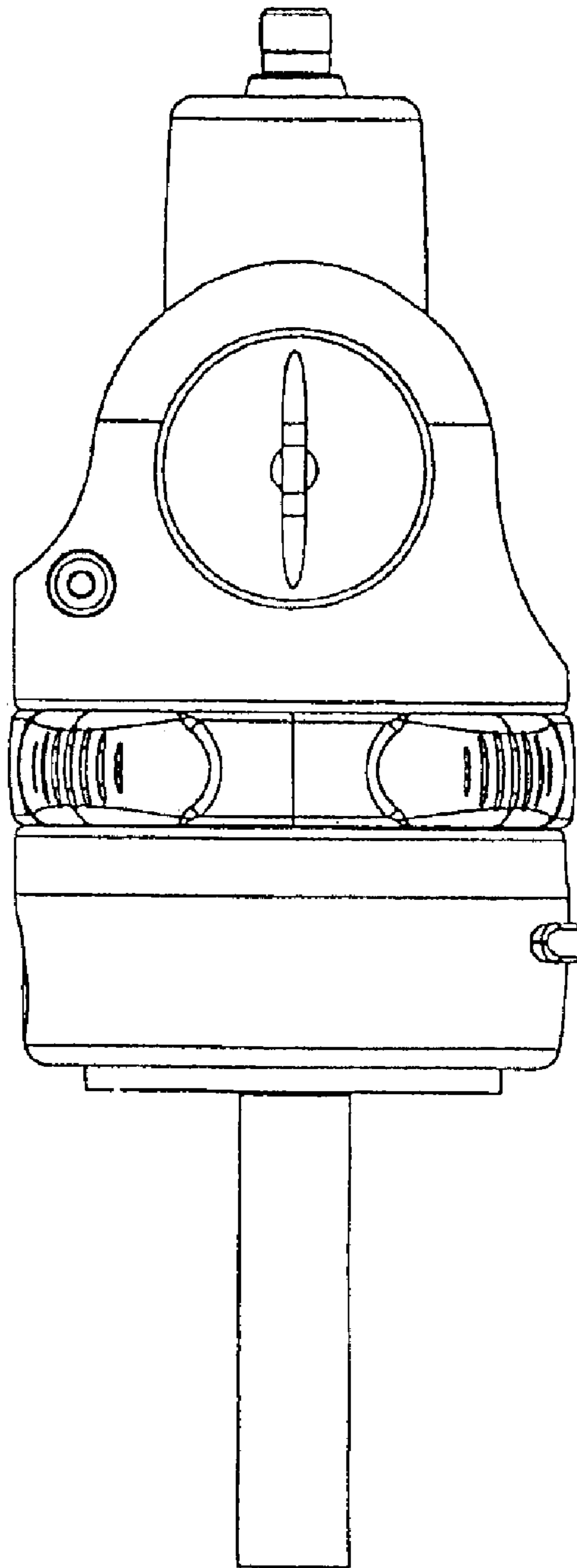


FIG. 3

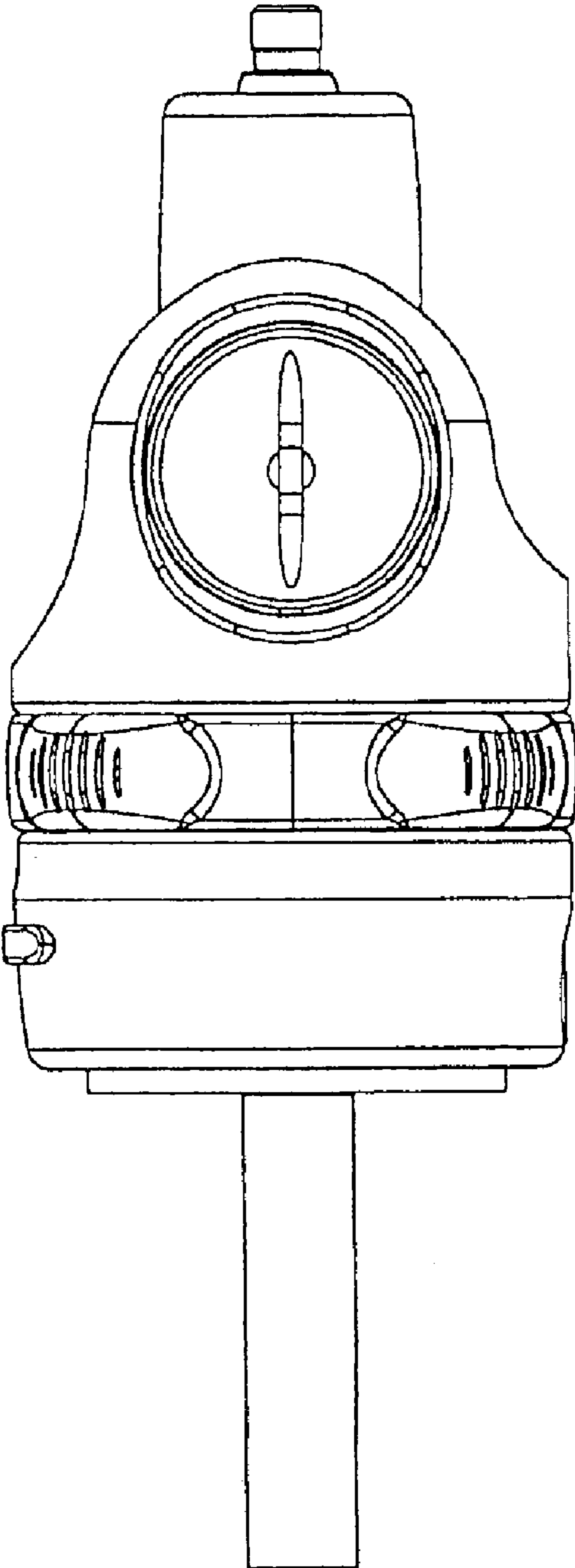


FIG. 4

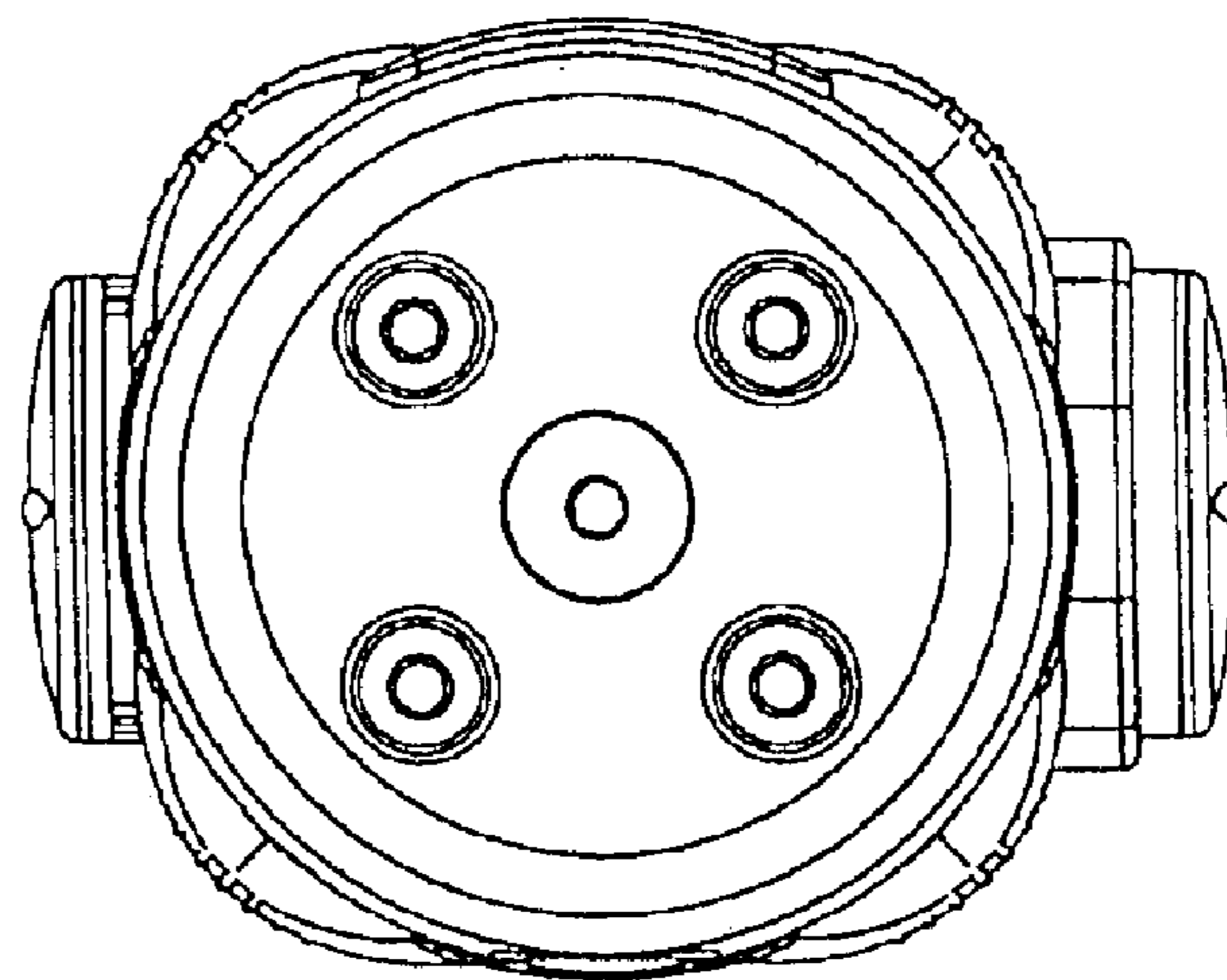


FIG. 5

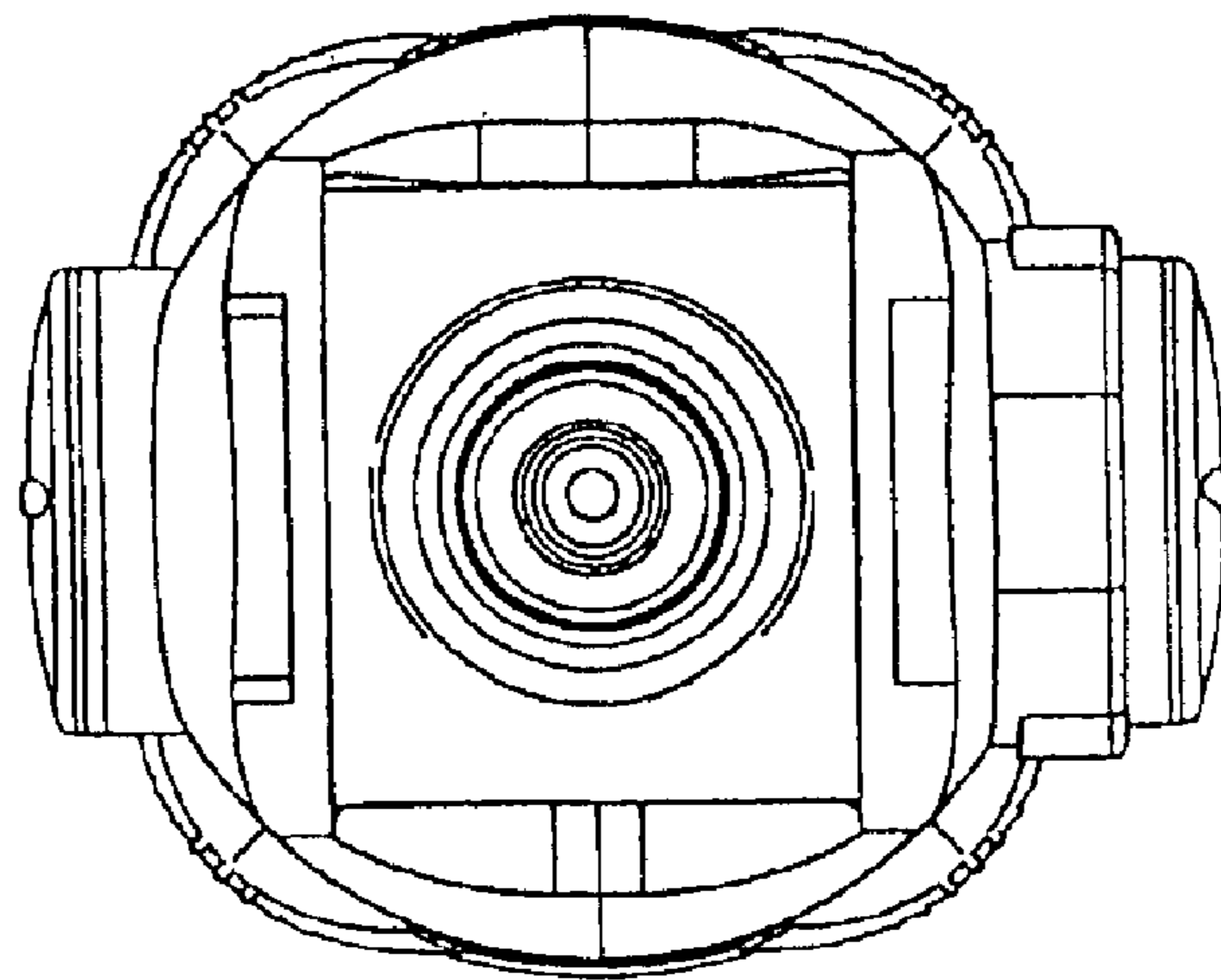


FIG. 6

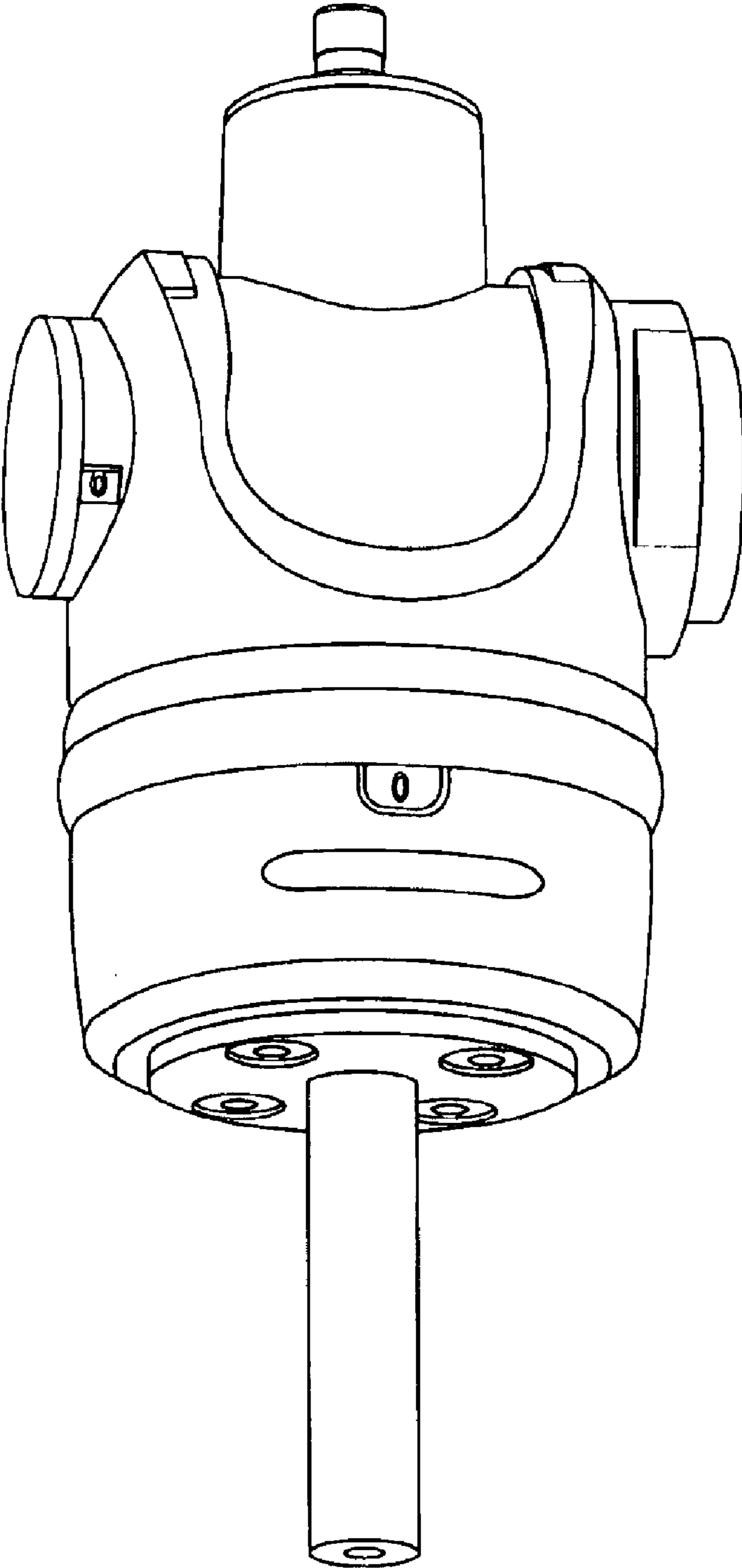


FIG. 7