

US00D502115S

(12) **United States Design Patent**
Chudek et al.

(10) **Patent No.:** **US D502,115 S**
(45) **Date of Patent:** **** Feb. 22, 2005**

(54) **PROTRACTOR WITH MOVABLE ARM**

(75) Inventors: **Chris Chudek**, Atlanta, GA (US);
Marta Phillips, Fairfield, CT (US)

(73) Assignee: **Acme United Corporation**, Fairfield, CT (US)

(**) Term: **14 Years**

(21) Appl. No.: **29/188,052**

(22) Filed: **Aug. 12, 2003**

(51) **LOC (7) Cl.** **10-04**

(52) **U.S. Cl.** **D10/65**

(58) **Field of Search** D10/65, 71; 33/403,
33/424, 471, 495

(56) **References Cited**

U.S. PATENT DOCUMENTS

665,316 A * 1/1901 Fay D10/65
4,669,195 A * 6/1987 Griffin D10/65

5,113,590 A * 5/1992 Shapiro et al. 33/471
D469,368 S * 1/2003 Lin D10/65
6,553,676 B1 * 4/2003 Carlson et al. 33/424
2004/0035011 A1 * 2/2004 Carlson et al. 33/424

* cited by examiner

Primary Examiner—Antoine D. Davis

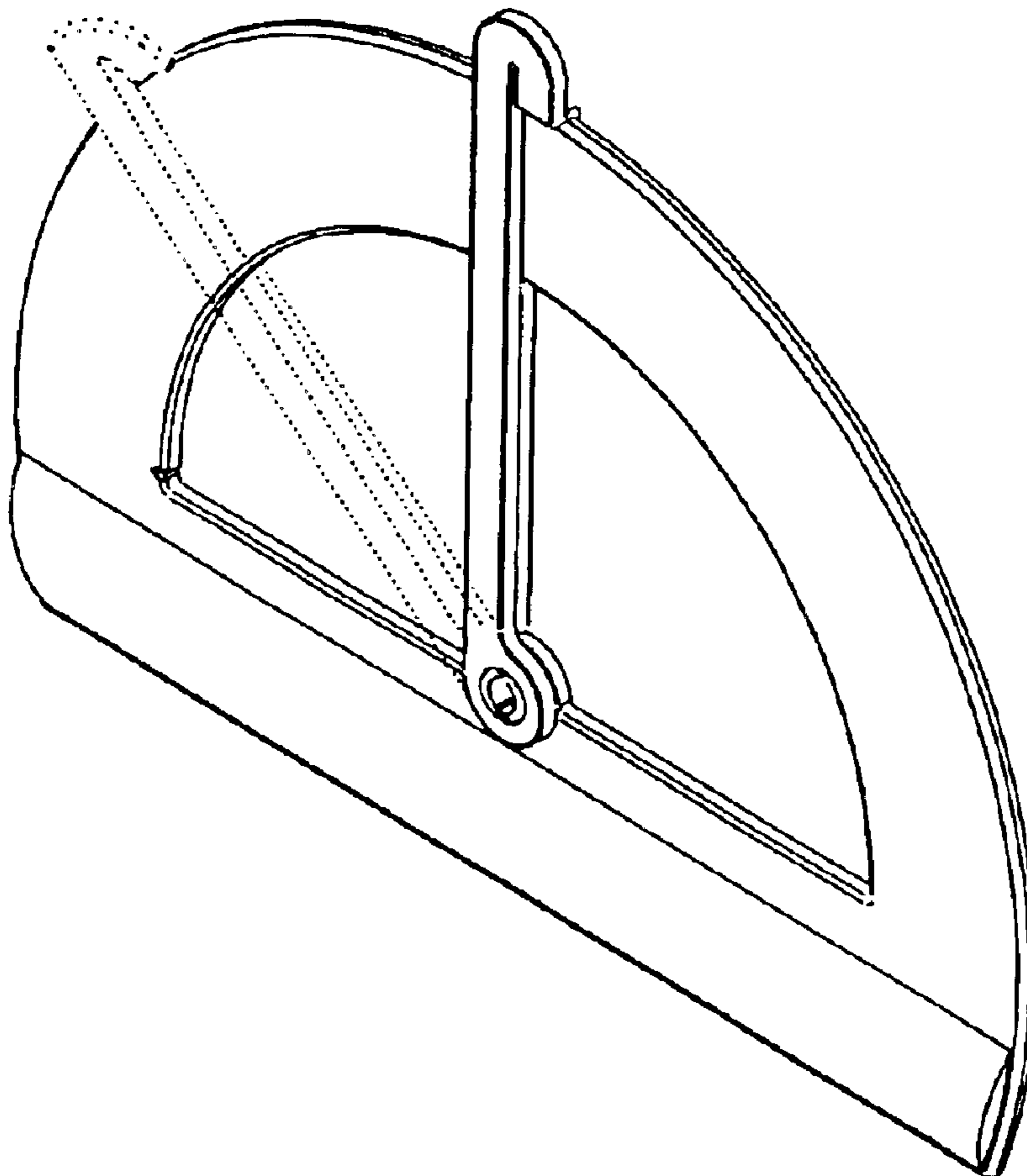
(57) **CLAIM**

The ornamental design for protractor with movable arm, as shown and described.

DESCRIPTION

FIG. 1 is a perspective view of a protractor with a movable arm according to the present invention;
FIG. 2 is a front view of the protractor of FIG. 1;
FIG. 3 is an end view of the protractor of FIG. 1;
FIG. 4 is a side view of the protractor of FIG. 1; and,
FIG. 5 is a rear view, opposite the view of FIG. 2, of the protractor of FIG. 1.

1 Claim, 3 Drawing Sheets



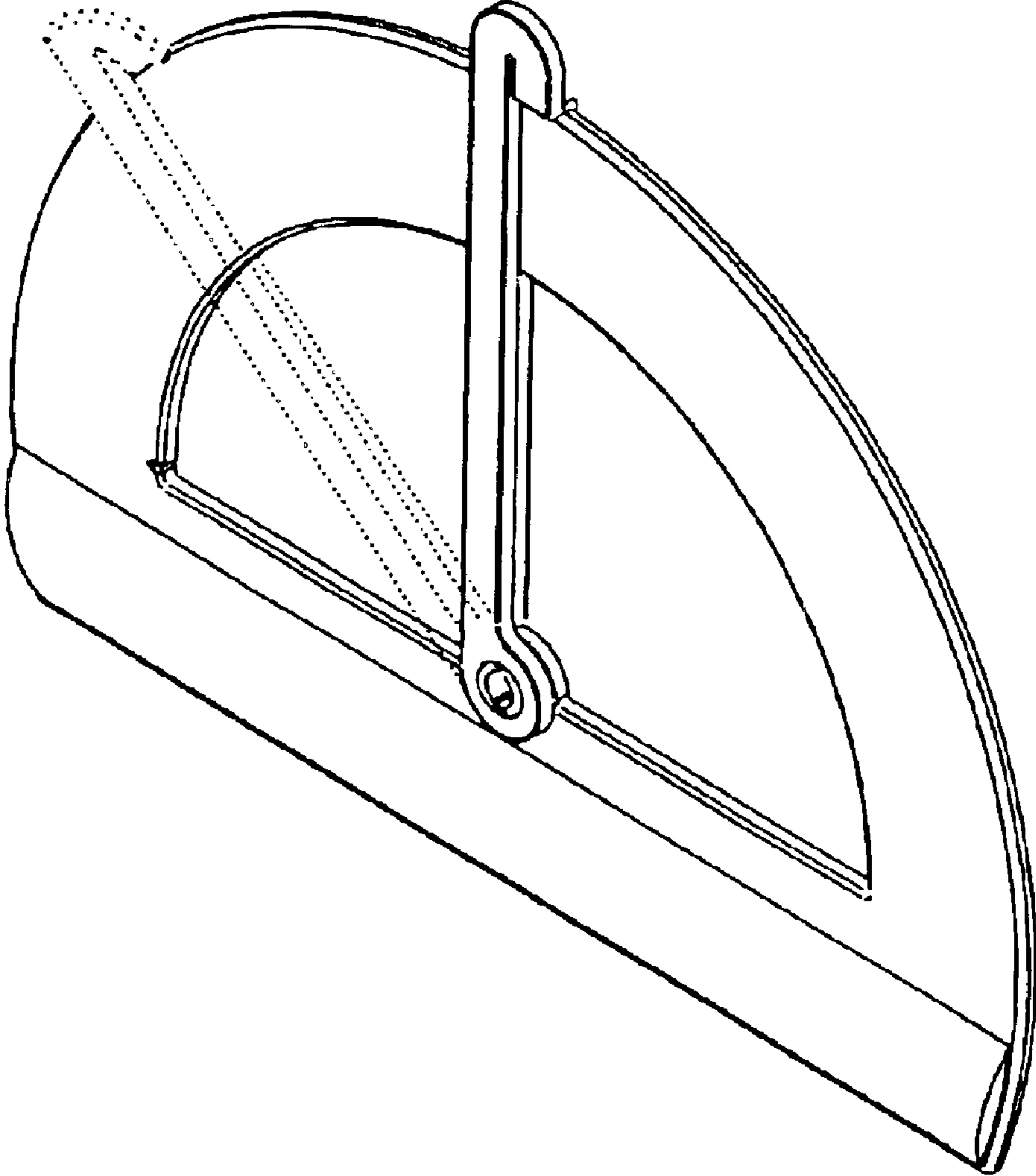


FIG. 1

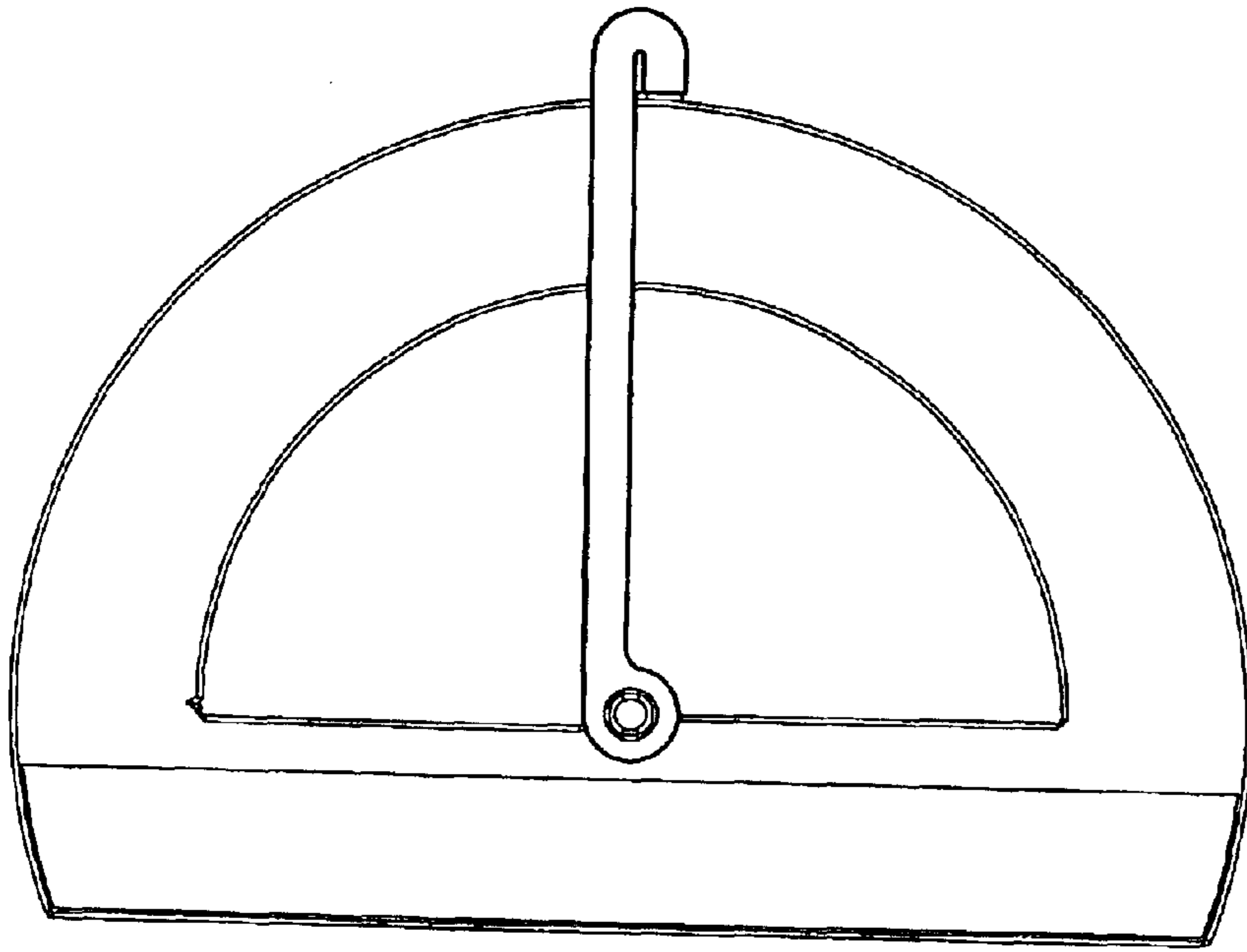


FIG. 2



FIG. 3

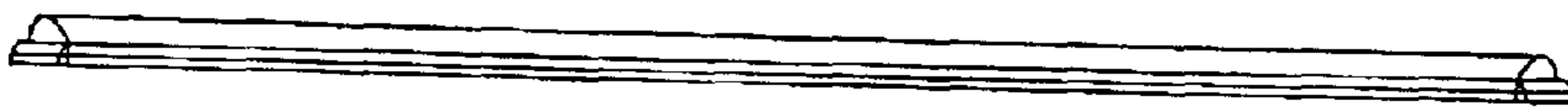


FIG. 4

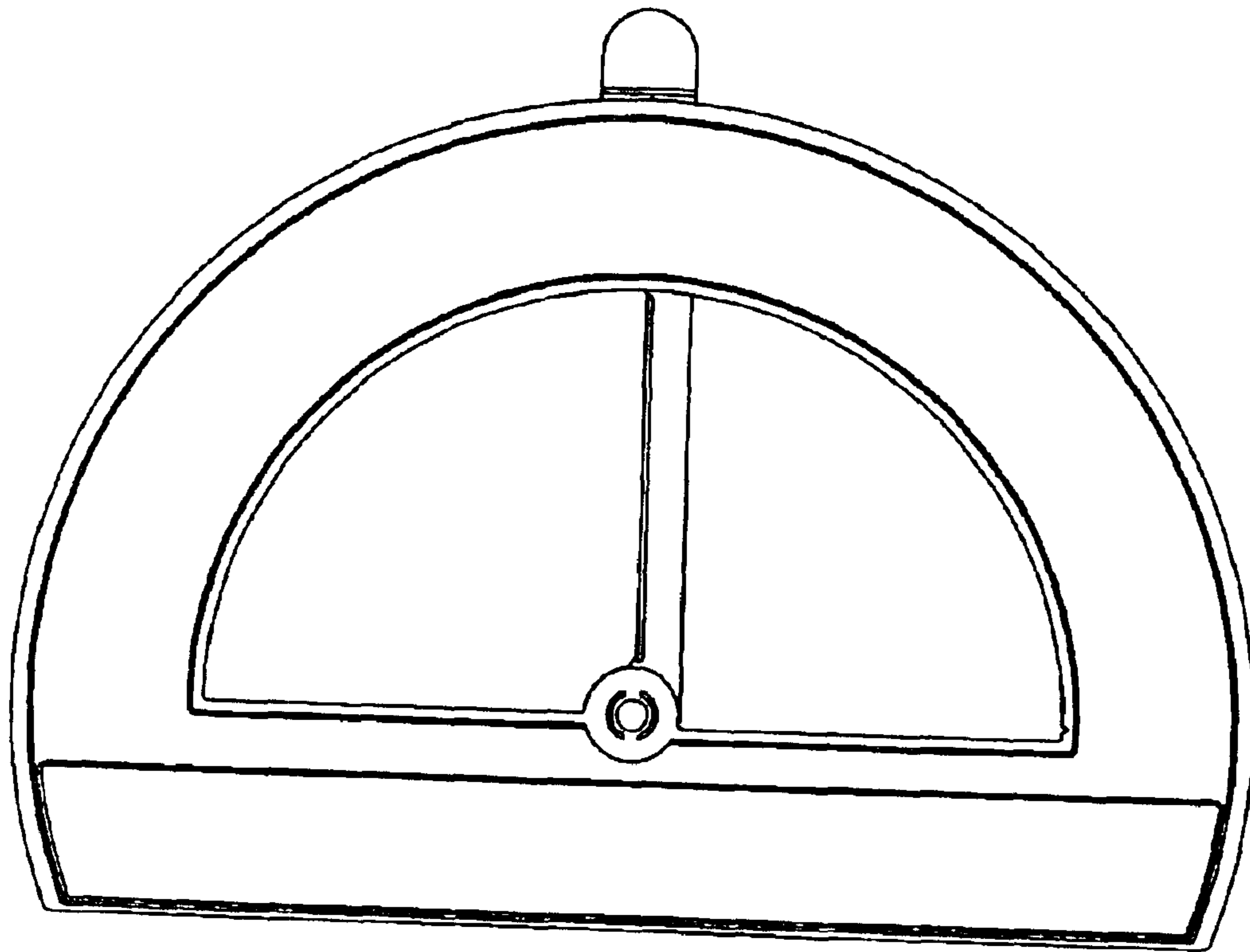


FIG. 5