

US00D502100S

(12) **United States Design Patent** (10) **Patent No.:** **US D502,100 S**
Bretz et al. (45) **Date of Patent:** **** Feb. 22, 2005**

(54) **BOTTLE**
(75) Inventors: **John M. Bretz**, Crystal Lake, IL (US);
Susan L. Colten, Crystal Lake, IL
(US); **Rachel Orland**, Chicago, IL
(US); **Jeffrey L. Pattee**, Palatine, IL
(US); **Susan Vanderwiell**, Palatine, IL
(US); **David Piccioli**, Auburn, NH
(US); **Bradley L. Allen**, St. Charles,
MO (US); **Bryce Rutter**, St. Louis, MO
(US); **William Scott Portzline**,
Portland, OR (US)

D208,504 S * 9/1967 Trombley D9/502
D214,158 S 5/1969 Pettengill
D217,230 S 4/1970 Kissig
D218,019 S 7/1970 Lattraye
D235,736 S 7/1975 Strand
D241,715 S 10/1976 Plummer
D269,500 S 6/1983 Bit
D270,520 S 9/1983 Strand

(List continued on next page.)

FOREIGN PATENT DOCUMENTS

JP 1009146 1/1989
PH 5553 2/1993

(73) Assignee: **Stokely-Van Camp, Inc.**, Chicago, IL
(US)

OTHER PUBLICATIONS

(**) Term: **14 Years**

“Snapple” 32 ounce Pet bottle, submitted by applicant in
parent application 29/072,878.*

(21) Appl. No.: **29/180,326**

“Gatorade Gripper” bottle, exhibited to public Jun. 29, 1996,
submitted by applicant in parent application 29/072,878.*

(22) Filed: **Apr. 22, 2003**

24 ounce E.D.G.E.(Ergonomic/Worm bottle, exhibited to
public Dec. 9, 1996, submitted by applicant in parent
application 29/072,878.*

Related U.S. Application Data

(63) Continuation of application No. 29/162,343, filed on Jun.
13, 2002, now abandoned, which is a continuation of appli-
cation No. 29/079,806, filed on Nov. 19, 1997, now aban-
doned, which is a continuation of application No. 29/064,
097, filed on Dec. 6, 1996, now abandoned.

Primary Examiner—Lucy Lieberman

(74) *Attorney, Agent, or Firm*—Lars S. Johnson; James D.
Ryndak

(51) **LOC (7) Cl.** **09-01**

(57) **CLAIM**

(52) **U.S. Cl.** **D9/500; D9/538**

The ornamental design for a bottle, as shown and described.

(58) **Field of Search** D9/500–505, 537,
D9/538, 539, 540, 549–558, 434; 215/381–384,
370–375

DESCRIPTION

FIG. 1 is a perspective view of a bottle showing our new
design;

FIG. 2 is a front view of the bottle depicted in FIG. 1;

FIG. 3 is a top view of the bottle depicted in FIG. 2;

FIG. 4 is a perspective view of a second embodiment of a
bottle depicted in FIG. 1;

FIG. 5 is a front view of the bottle depicted in FIG. 4; and,

FIG. 6 is a top view of the bottle depicted in FIG. 4.

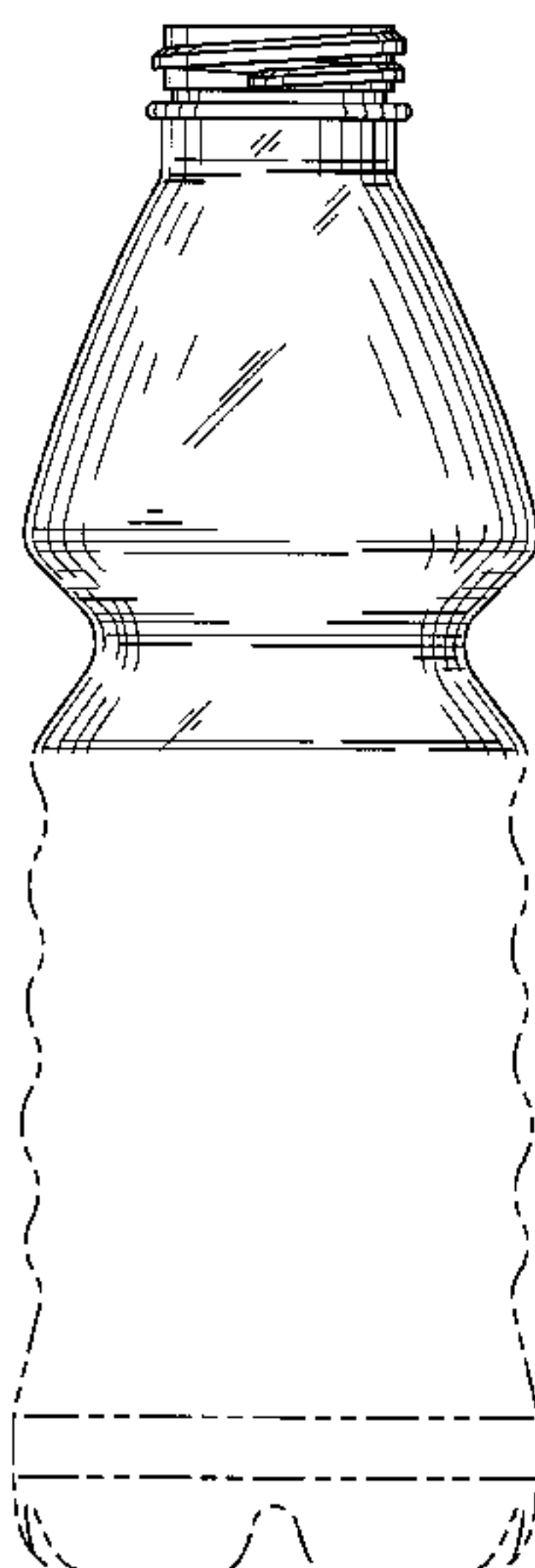
The broken line environmental showing is for illustrative
purposes only and does not form part of the claimed design.

(56) **References Cited**

U.S. PATENT DOCUMENTS

D64,152 S 3/1924 Sweeney
D116,861 S 9/1939 Mas
D159,616 S 8/1950 Hoffman
D166,542 S 4/1952 Kunett
D183,040 S 6/1958 Du Pree
3,331,521 A 7/1967 Paige

1 Claim, 4 Drawing Sheets



US D502,100 S

Page 2

U.S. PATENT DOCUMENTS

D283,794 S	5/1986	Richter	
D292,269 S	10/1987	Jacobs et al.	
D292,374 S	10/1987	Jacobs et al.	
D292,375 S	10/1987	Jacobs et al.	
D300,511 S	4/1989	Cramer	
4,850,494 A	7/1989	Howard, Jr.	
D306,262 S	2/1990	Bit	
D315,869 S	4/1991	Collette	
5,024,341 A	6/1991	Dekerle	
D320,154 S	9/1991	Alberghini et al.	
5,141,120 A	8/1992	Brown et al.	
D334,342 S	* 3/1993	Thompson	D9/502
D335,084 S	4/1993	Snyder	
D344,457 S	2/1994	Prevot et al.	
D345,693 S	* 4/1994	Edstrom	D9/538
5,303,834 A	4/1994	Krishnakumar et al.	
D348,606 S	7/1994	Edstrom	
5,337,909 A	8/1994	Vaillencourt	
5,341,946 A	8/1994	Vaillencourt et al.	
D352,245 S	* 11/1994	Krishnakumar et al.	D9/538
5,385,250 A	1/1995	Pasquale	
D370,178 S	5/1996	Petre et al.	
D372,091 S	7/1996	McCallister et al.	
D374,147 S	10/1996	Lillelund et al.	
D379,150 S	5/1997	Richardson	
D379,151 S	5/1997	Stevens	
D379,224 S	5/1997	McCallister et al.	
D379,306 S	5/1997	Peykoff	
5,632,397 A	5/1997	Fandoux et al.	
D379,760 S	6/1997	Zogg	
D379,762 S	6/1997	Zogg	
5,635,229 A	6/1997	Ray	
D382,806 S	8/1997	Wilson et al.	
5,746,339 A	5/1998	Petre et al.	
5,759,653 A	6/1998	Collette et al.	
D396,413 S	7/1998	Duboff	
D396,640 S	8/1998	Conrad et al.	
D397,297 S	8/1998	Yang	
D397,614 S	9/1998	Krishnakumar et al.	
D397,941 S	9/1998	Lauth	
D398,538 S	9/1998	Fuquen et al.	
D398,539 S	9/1998	Guislain	
D399,424 S	10/1998	Young	
D401,860 S	12/1998	Mentasti Granelli	
D403,587 S	1/1999	Thornley et al.	
D404,306 S	1/1999	Steinke	
D407,649 S	4/1999	McCallister et al.	
D411,453 S	6/1999	Piccioli et al.	
5,908,128 A	6/1999	Krishnakumar et al.	

* cited by examiner

Fig. 1

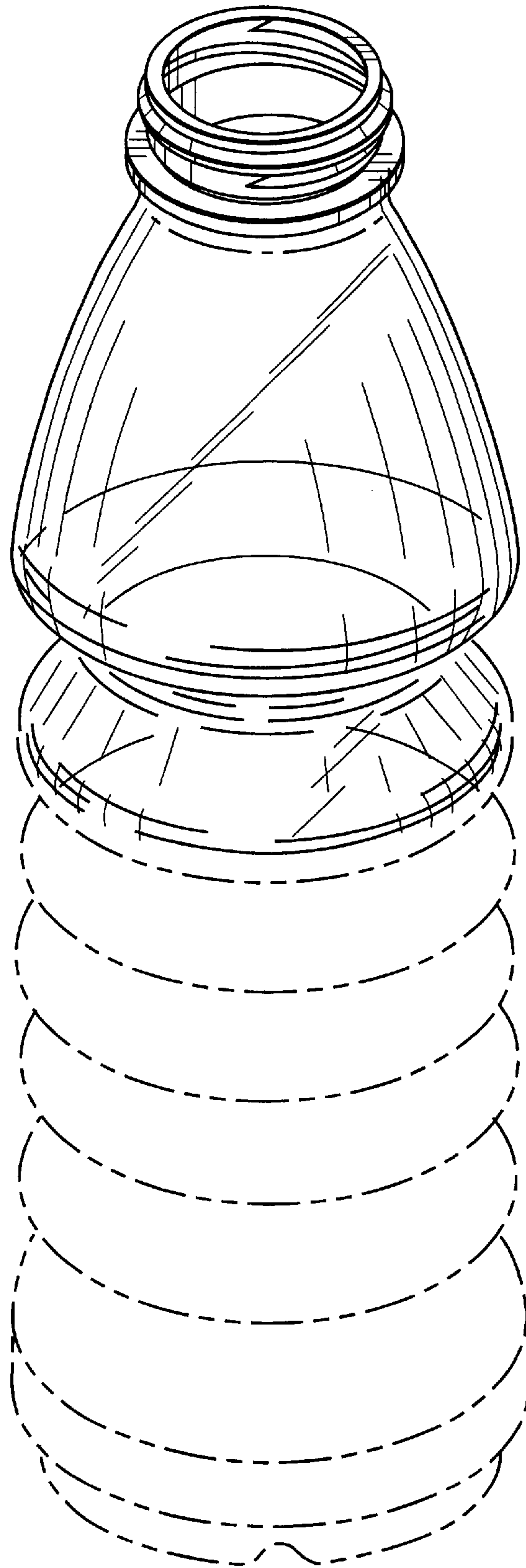


Fig. 2

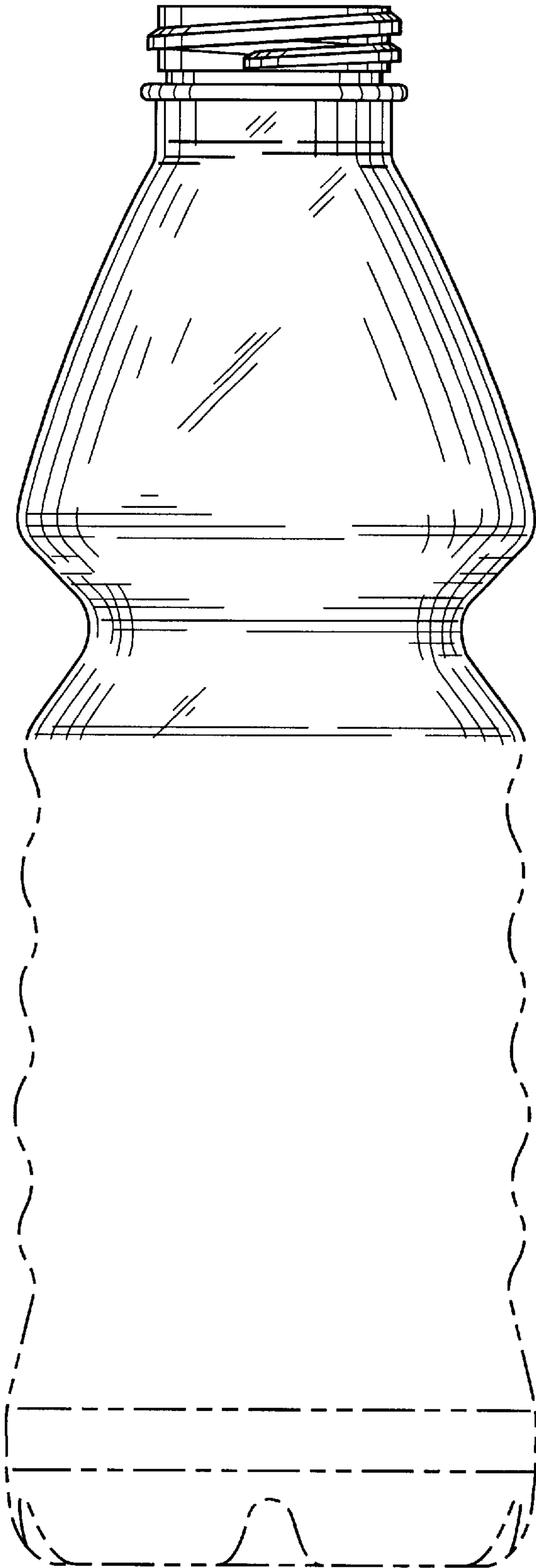


Fig. 3

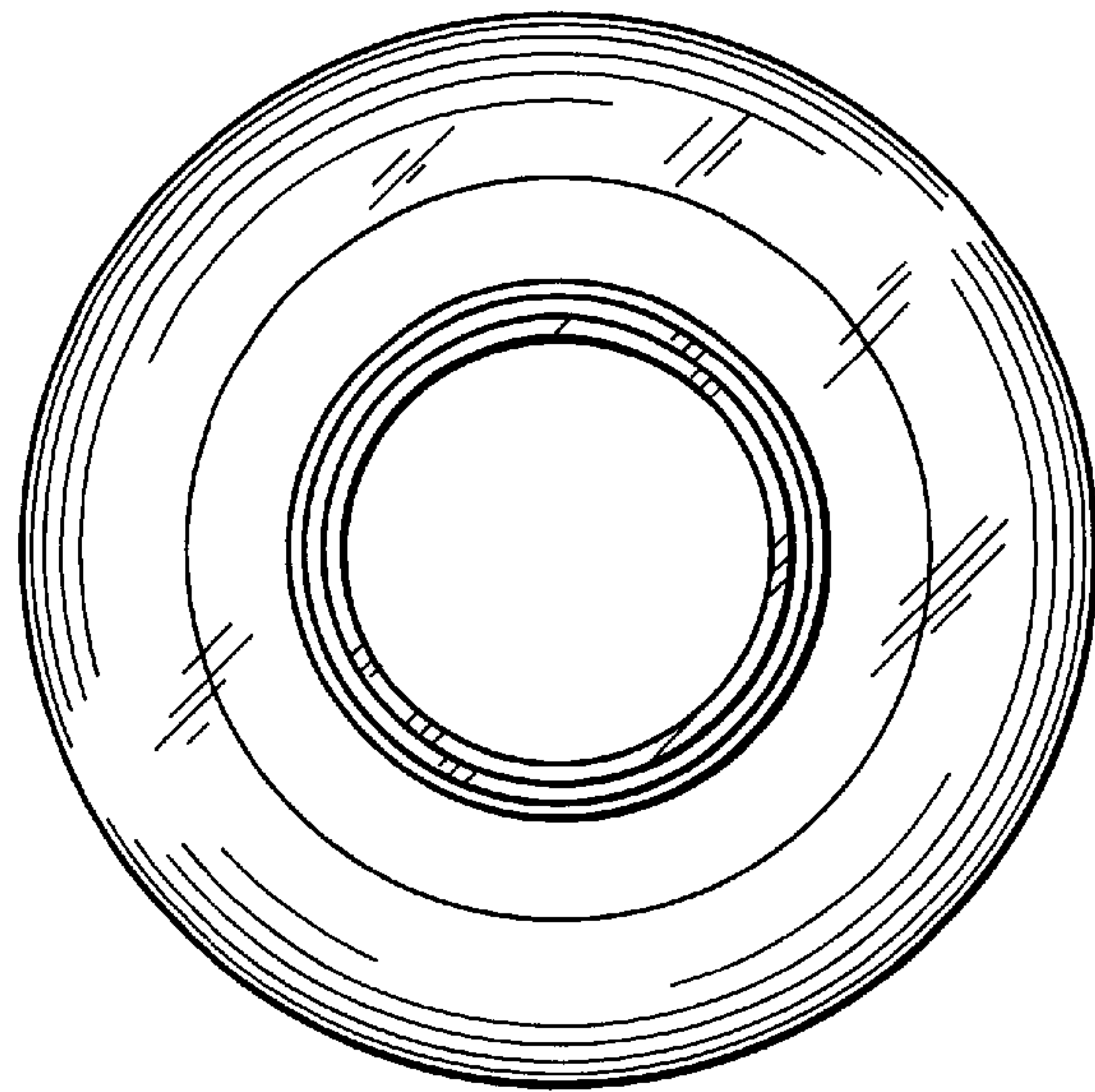


Fig. 4

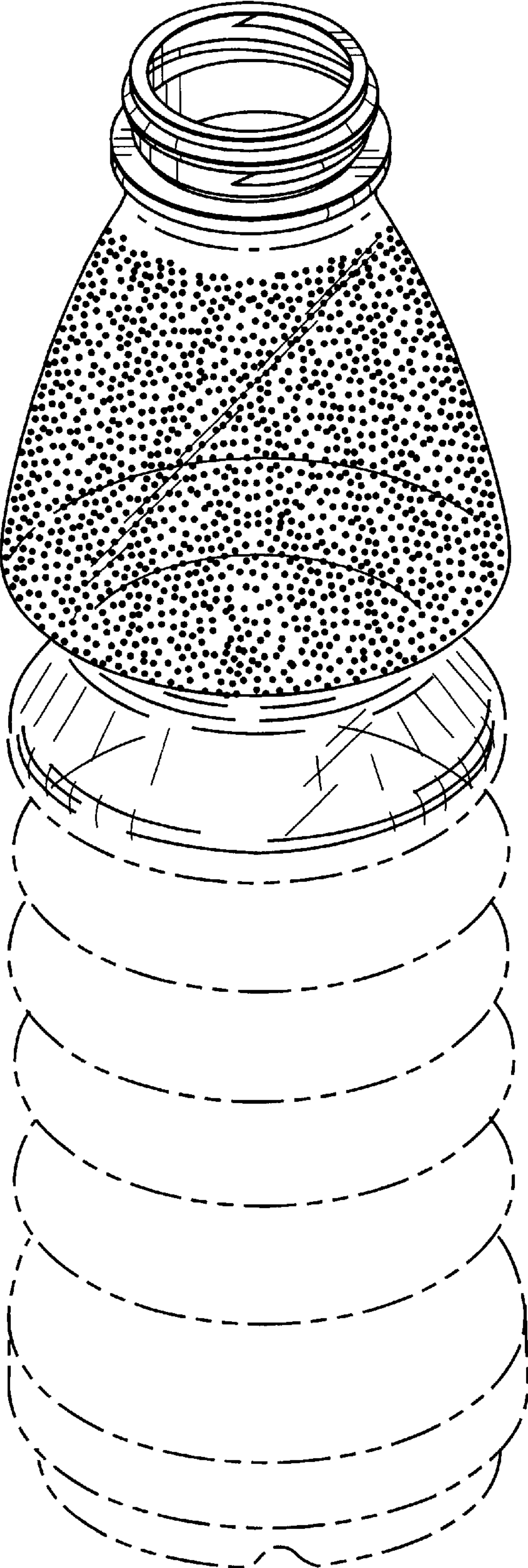


Fig. 5

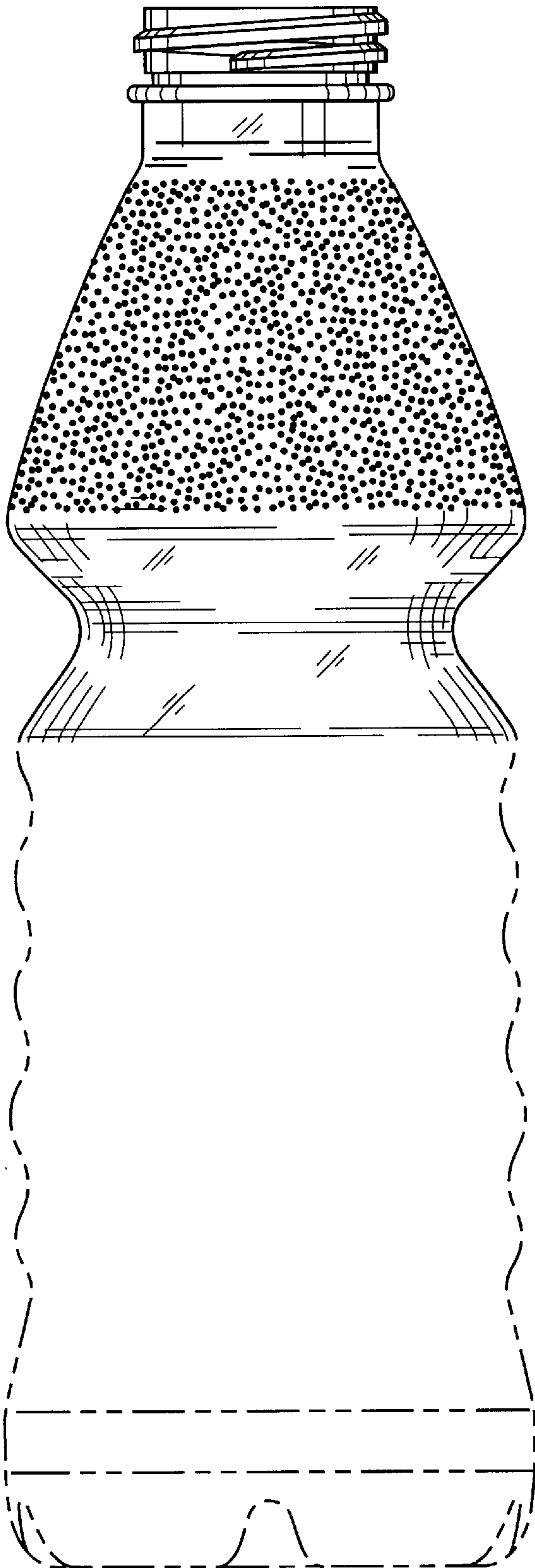


Fig. 6

