

US00D502097S

(12) **United States Design Patent** (10) **Patent No.:** **US D502,097 S**
Holthaus et al. (45) **Date of Patent:** **** Feb. 22, 2005**

(54) **PACKAGE**

(75) Inventors: **Ulrike Holthaus**, Pulheim (DE); **Hans Schneider**, Wegberg (DE)

(73) Assignee: **Henkel Kommanditgesellschaft auf Aktien**, Duesseldorf (DE)

(**) Term: **14 Years**

(21) Appl. No.: **29/186,708**

(22) Filed: **Jul. 21, 2003**

Related U.S. Application Data

(62) Division of application No. 29/137,329, filed on Feb. 16, 2001, now Pat. No. Des. 470,769.

(30) **Foreign Application Priority Data**

Aug. 18, 2000 (DE) 400 07 729

(51) **LOC (7) Cl.** **09-03**

(52) **U.S. Cl.** **D9/430**

(58) **Field of Search** D9/430, 414, 416, D9/420, 423, 431-433; 206/527, 775, 815, 822; 220/9.1, 229, 252, 315; 229/100, 106, 108, 116.1

(56) **References Cited**

U.S. PATENT DOCUMENTS

D180,457 S * 6/1957 Paxton D9/420
3,894,681 A * 7/1975 Arneson et al. 221/305

D250,748 S * 1/1979 Leger D9/420
D292,635 S * 11/1987 McCormack et al. D99/1
D306,402 S * 3/1990 Colla D9/414
D333,781 S * 3/1993 Kobel D9/339
D365,206 S * 12/1995 Goodman D3/273
6,062,425 A * 5/2000 Brown et al. 222/1
6,155,480 A * 12/2000 Botsford et al. 229/122.1
D436,859 S * 1/2001 Botsford et al. D9/416
D492,594 S * 7/2004 Nash D9/415

* cited by examiner

Primary Examiner—Prabhakar Deshmukh

Assistant Examiner—Daniel Bui

(74) *Attorney, Agent, or Firm*—Stephen D. Harper; Gregory M. Hill

(57) **CLAIM**

The ornamental design for a package, as shown and described.

DESCRIPTION

FIG. 1 is a perspective view of a package on its right side, showing our new design;

FIG. 2 is a right side elevational view thereof, the left side elevational view being a mirror image thereof;

FIG. 3 is a top plan view thereof;

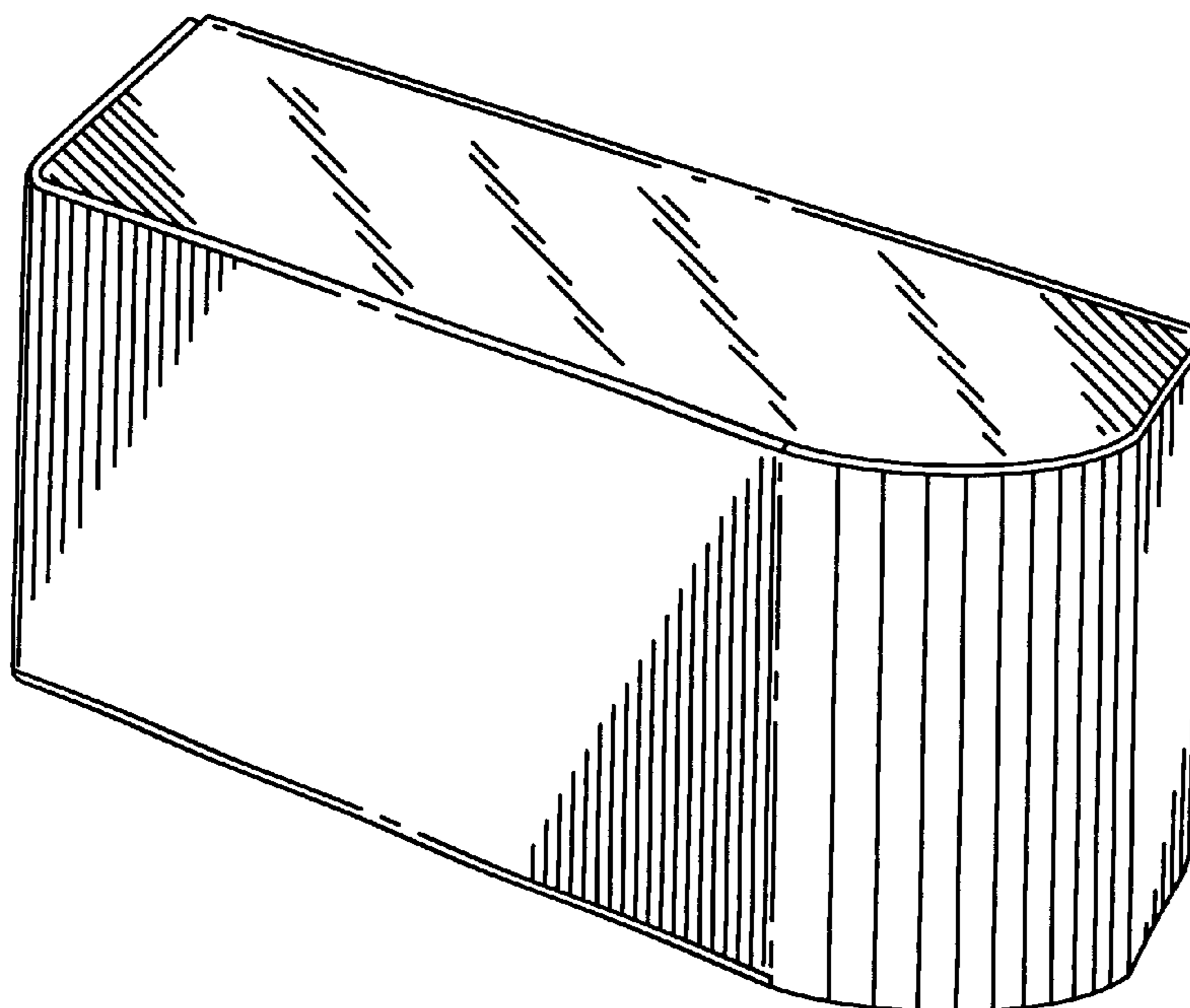
FIG. 4 is a bottom plan view thereof;

FIG. 5 is a rear elevational view thereof; and,

FIG. 6 is a front elevational view thereof.

The packages shown in the figures may preferably be used, inter alia, for storing personal care products.

1 Claim, 3 Drawing Sheets



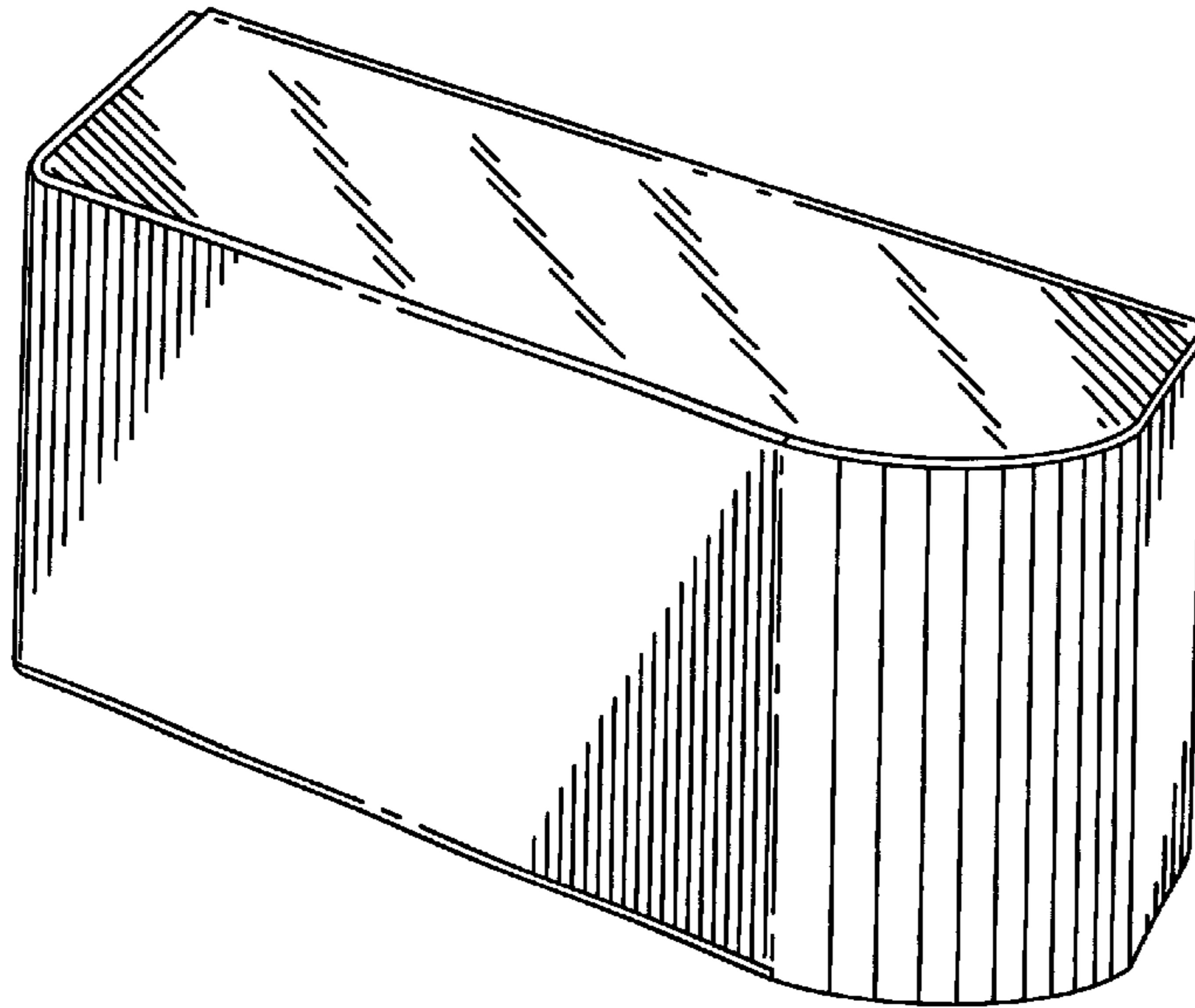


FIG. 1

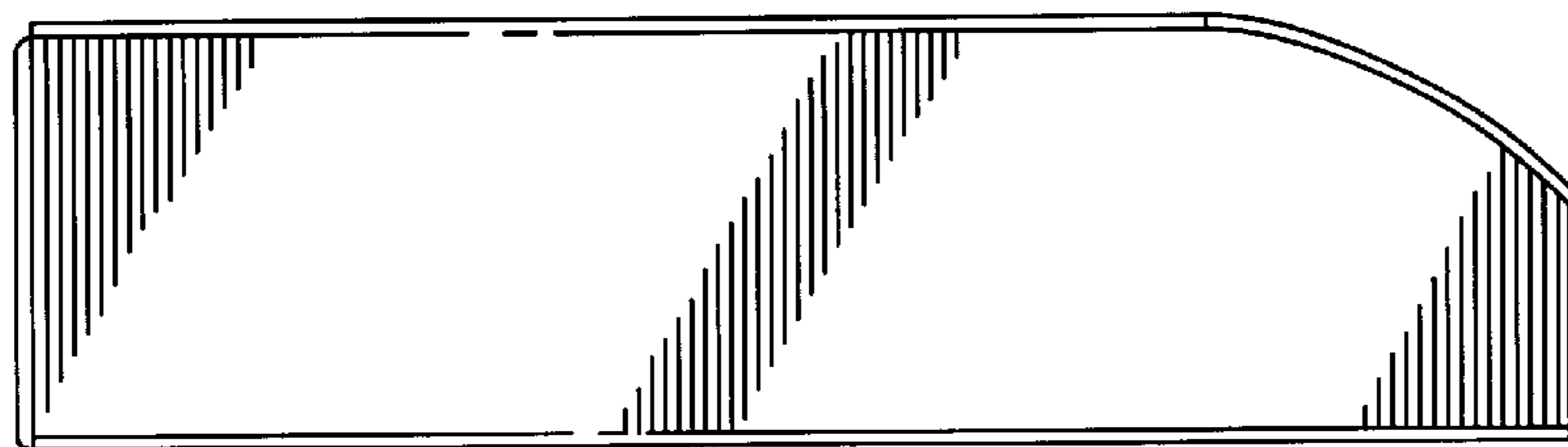


FIG. 2

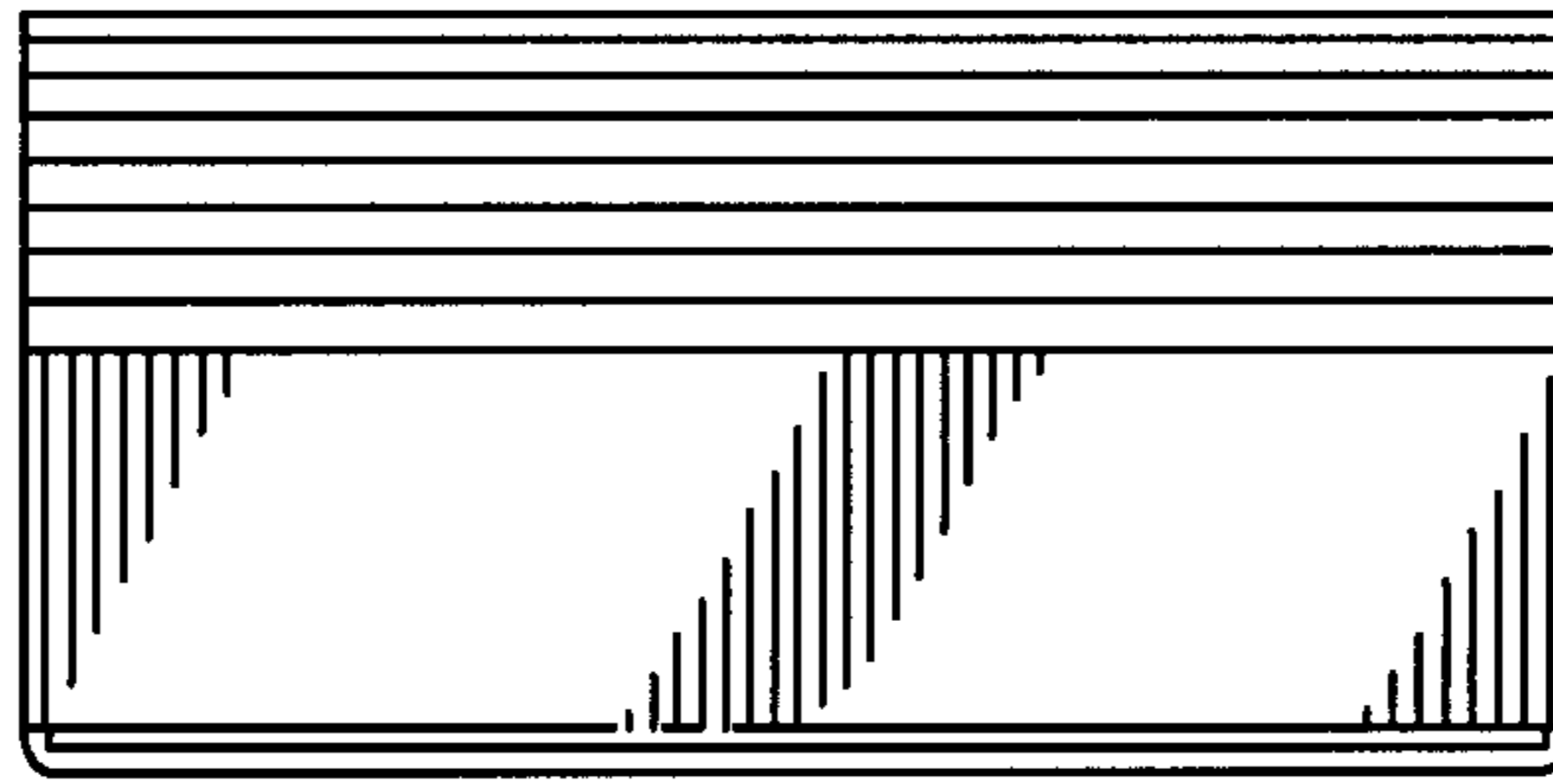


FIG. 3

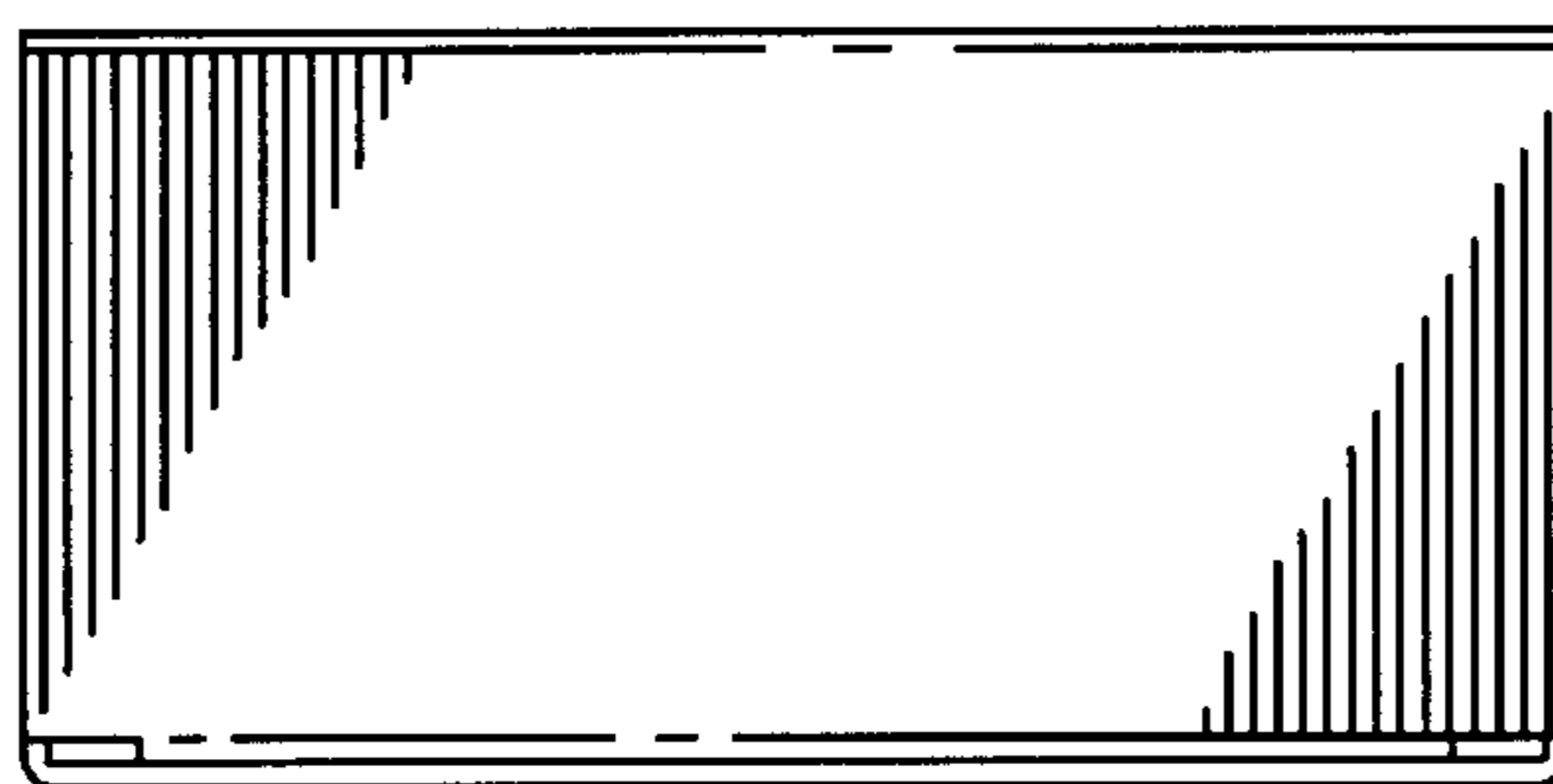


FIG. 4

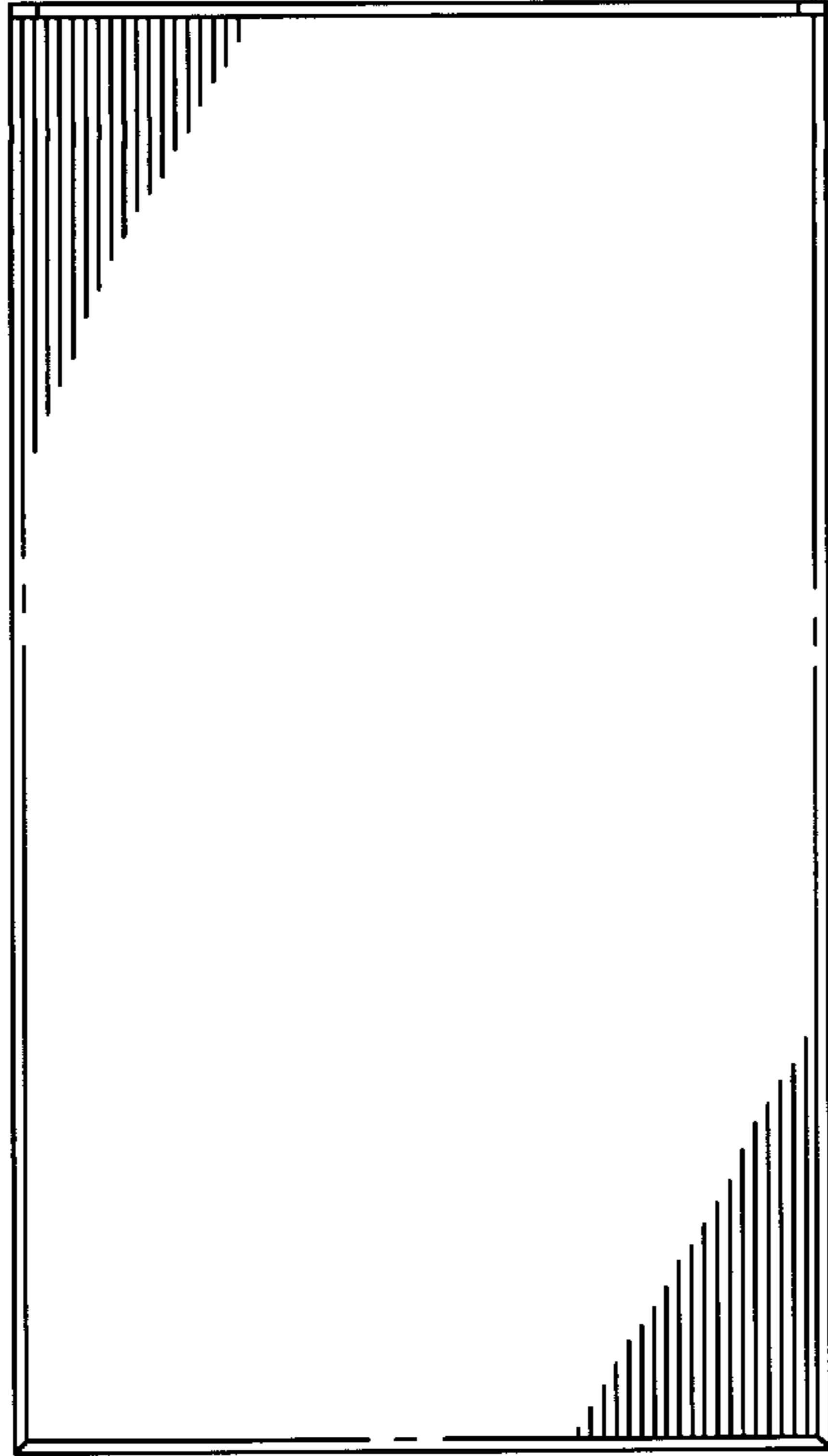


FIG. 5

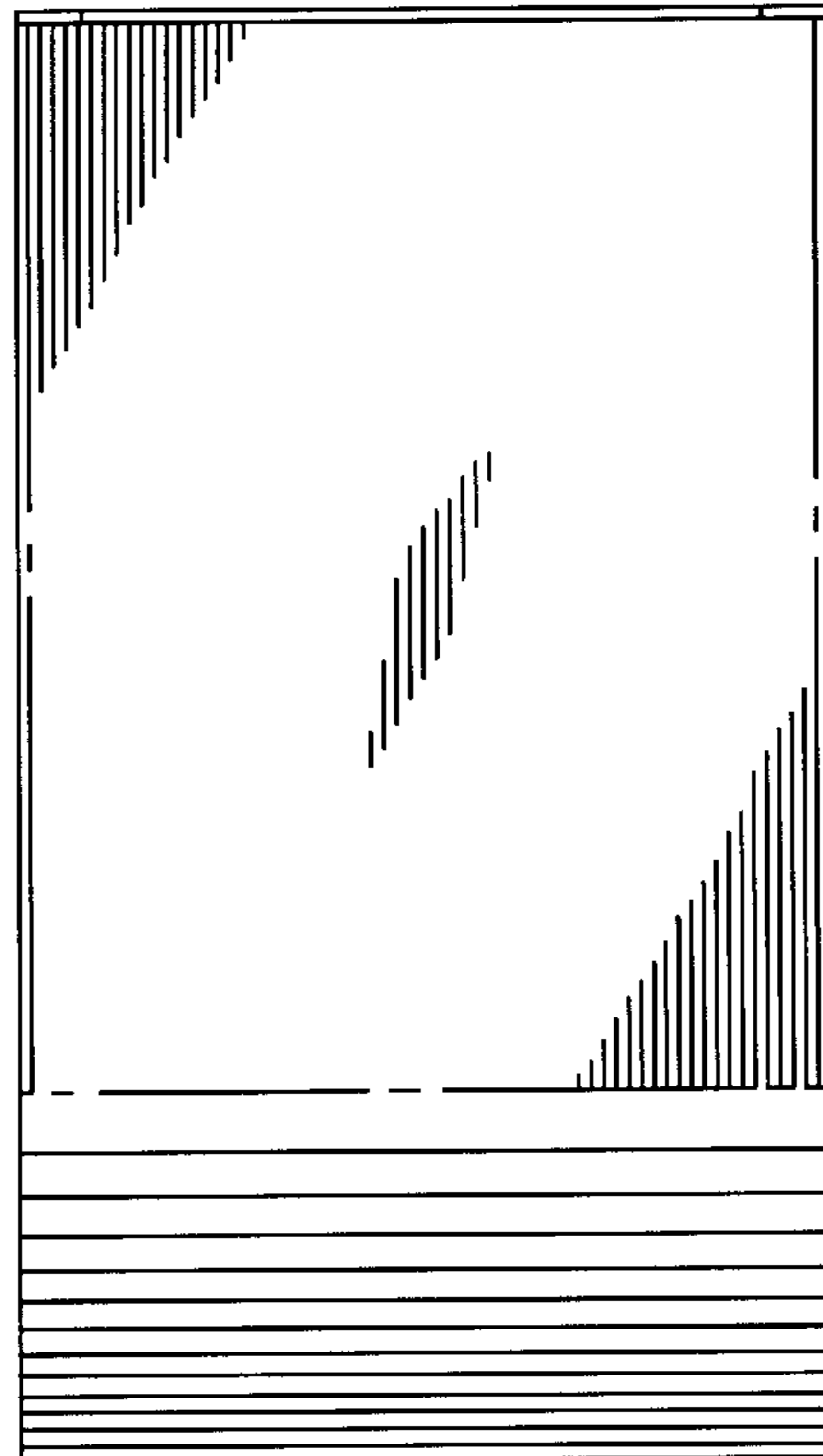


FIG. 6