

US00D502094S

(12) **United States Design Patent**
Chen

(10) **Patent No.:** **US D502,094 S**

(45) **Date of Patent:** **** Feb. 22, 2005**

(54) **HANGER FOR WRENCHES**

D446,651 S * 8/2001 Liao D3/905

(76) **Inventor:** **Terence Chen**, No. 325, Yung Ching Road, Tung Shan Hsiang, Lo Tung Town, Yi Lan Hsien (TW)

* cited by examiner

Primary Examiner—Louis S. Zarfes

Assistant Examiner—Gregory Andoll

(74) *Attorney, Agent, or Firm*—Alan D. Kamrath; Nikolai & Mersereau, P.A.

(**) **Term:** **14 Years**

(21) **Appl. No.:** **29/188,235**

(57) **CLAIM**

(22) **Filed:** **Aug. 14, 2003**

The ornamental design for hanger for wrenches, as shown and described.

(51) **LOC (7) Cl.** **09-03**

(52) **U.S. Cl.** **D9/415; D3/905**

(58) **Field of Search** D9/415, 418, 341, D9/347, 451; 206/461-467, 495, 806, 234, 349, 372, 373, 376-379; D3/288, 905; 211/4, 70.6

DESCRIPTION

FIG. 1 is a top perspective view of a hanger for wrenches showing my new design;

FIG. 2 is a front view thereof;

FIG. 3 is a rear view thereof;

FIG. 4 is a left view thereof;

FIG. 5 is a right view thereof;

FIG. 6 is a top view thereof;

FIG. 7 is a bottom view thereof; and,

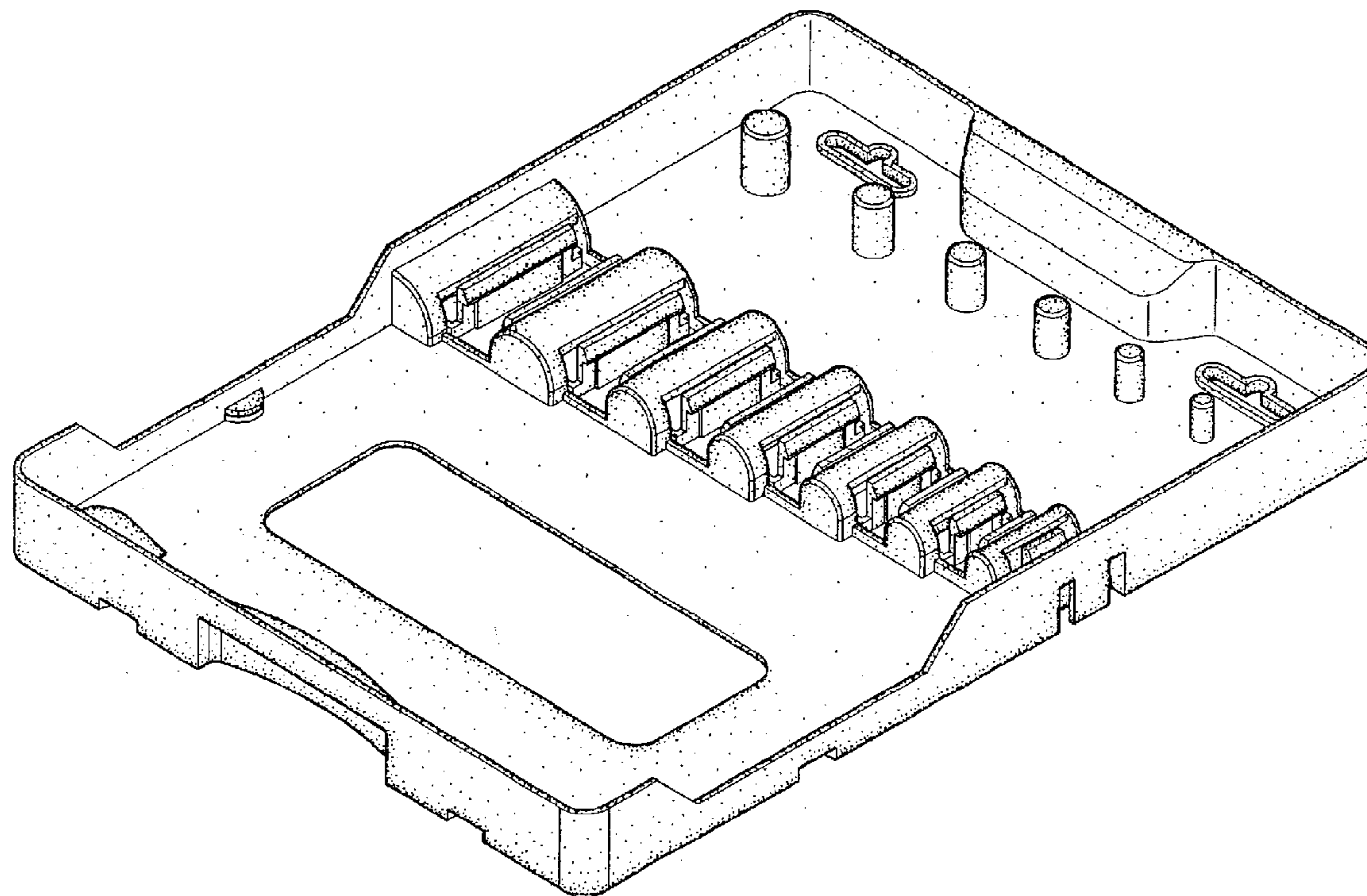
FIG. 8 is a bottom perspective view thereof.

(56) **References Cited**

U.S. PATENT DOCUMENTS

- 5,730,303 A * 3/1998 Chow 206/376
- D409,906 S * 5/1999 Hu D9/415
- D426,151 S * 6/2000 Ling D9/415

1 Claim, 6 Drawing Sheets



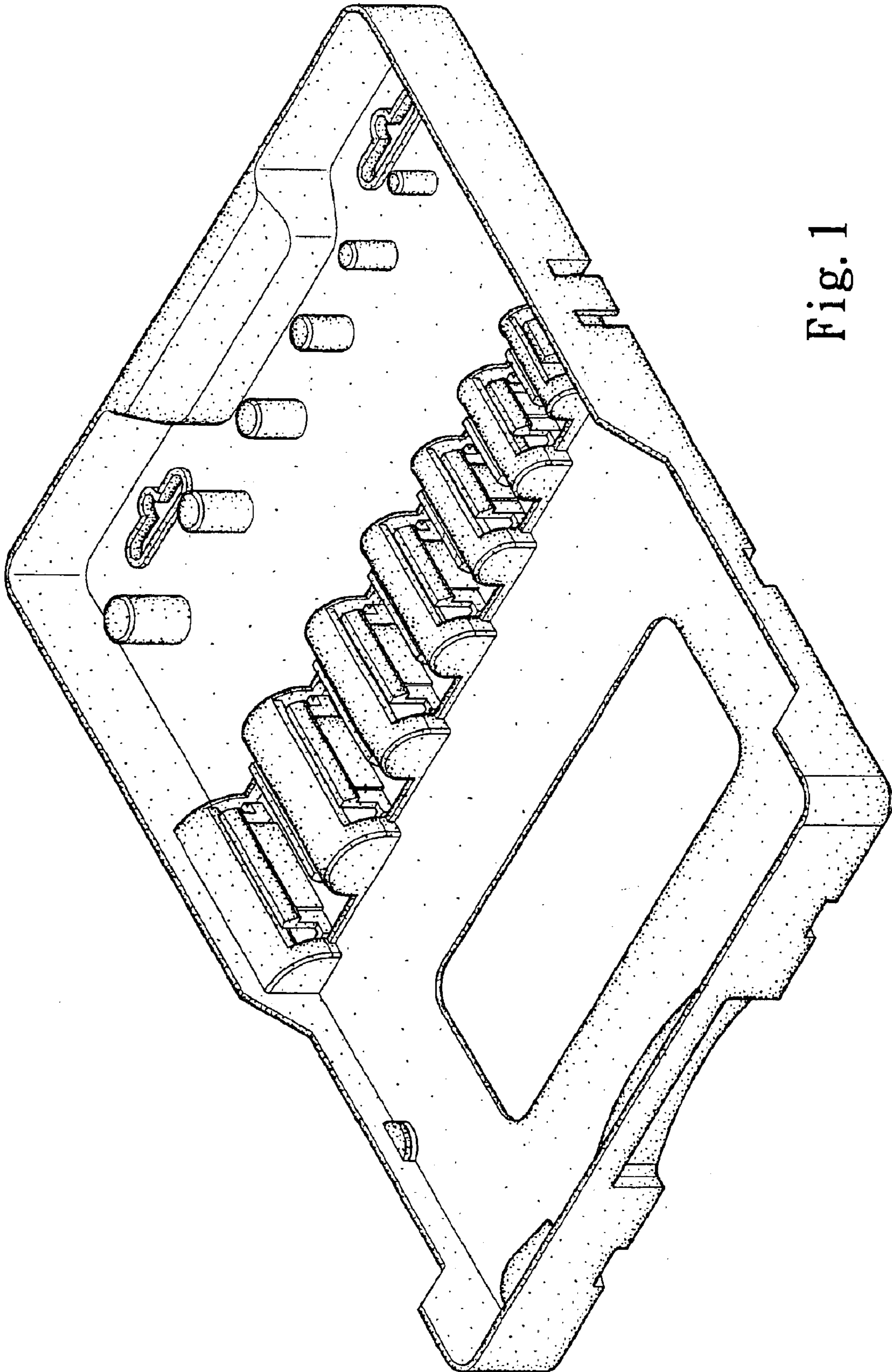


Fig. 1



Fig. 2



Fig. 3

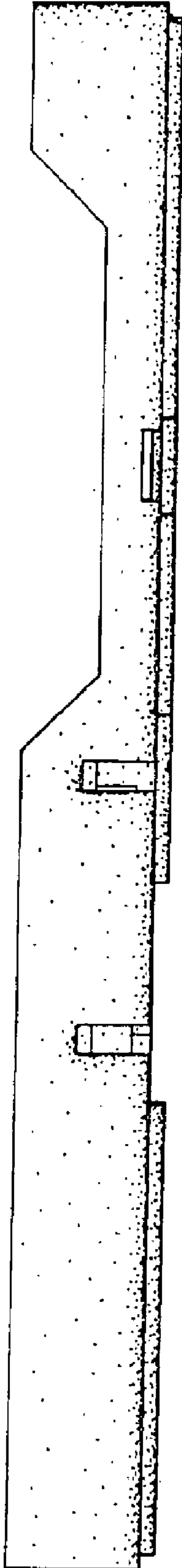


Fig. 4

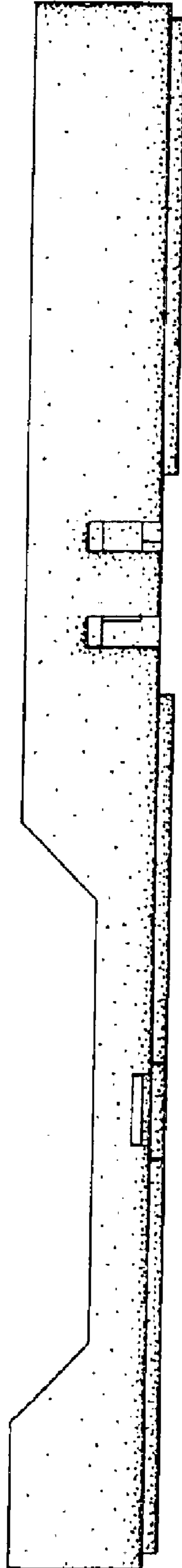


Fig. 5

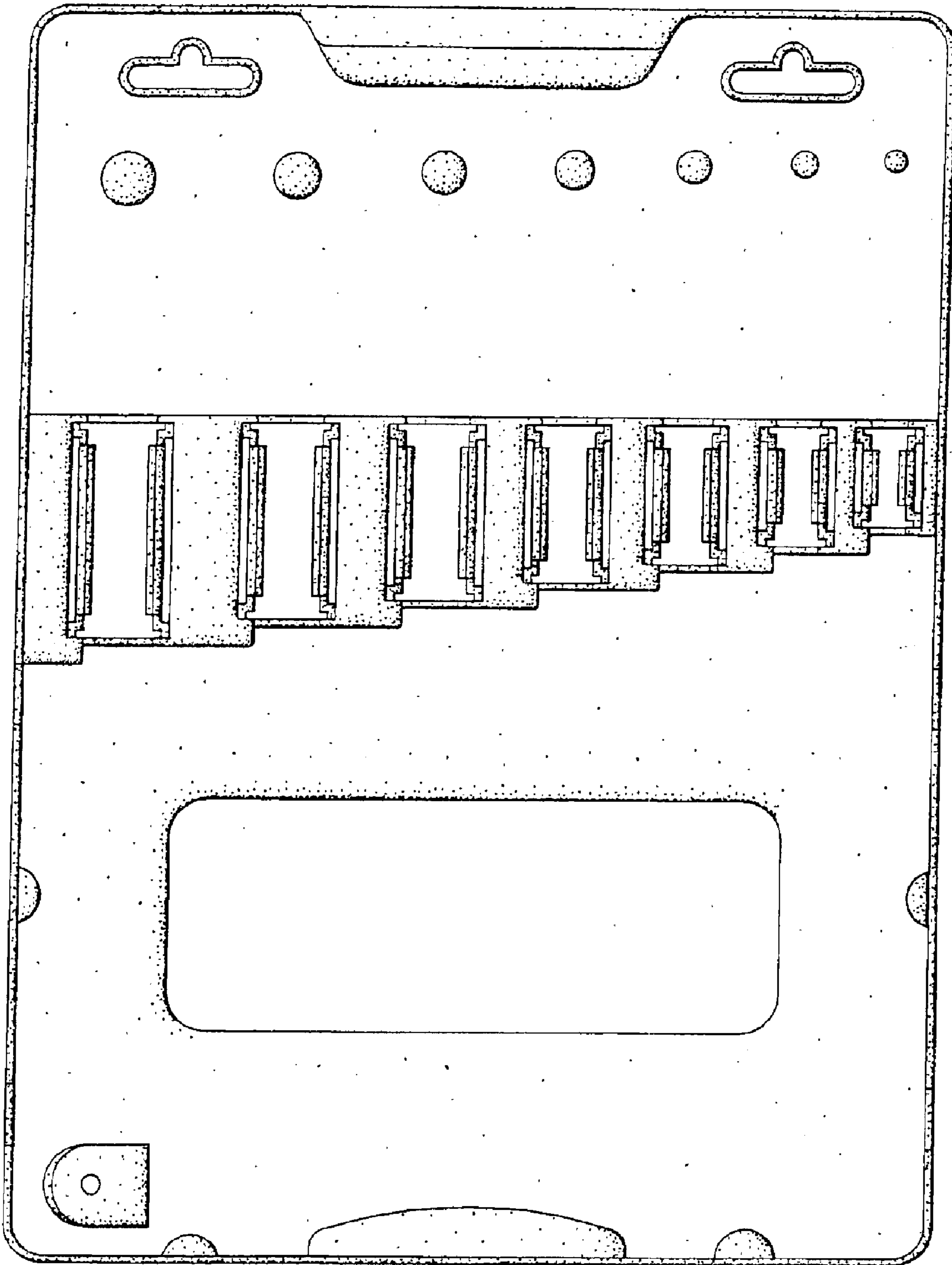


Fig. 6

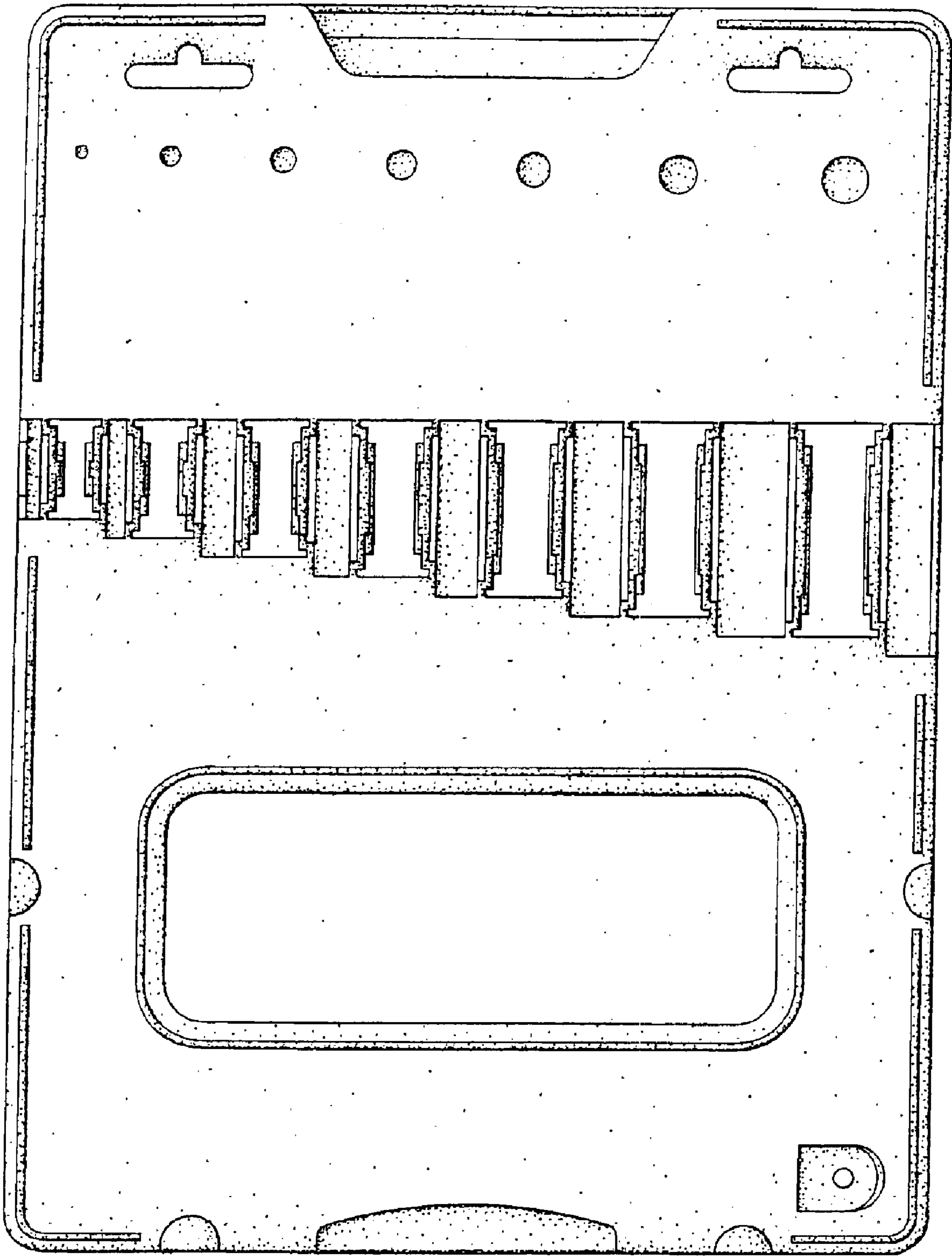


Fig. 7

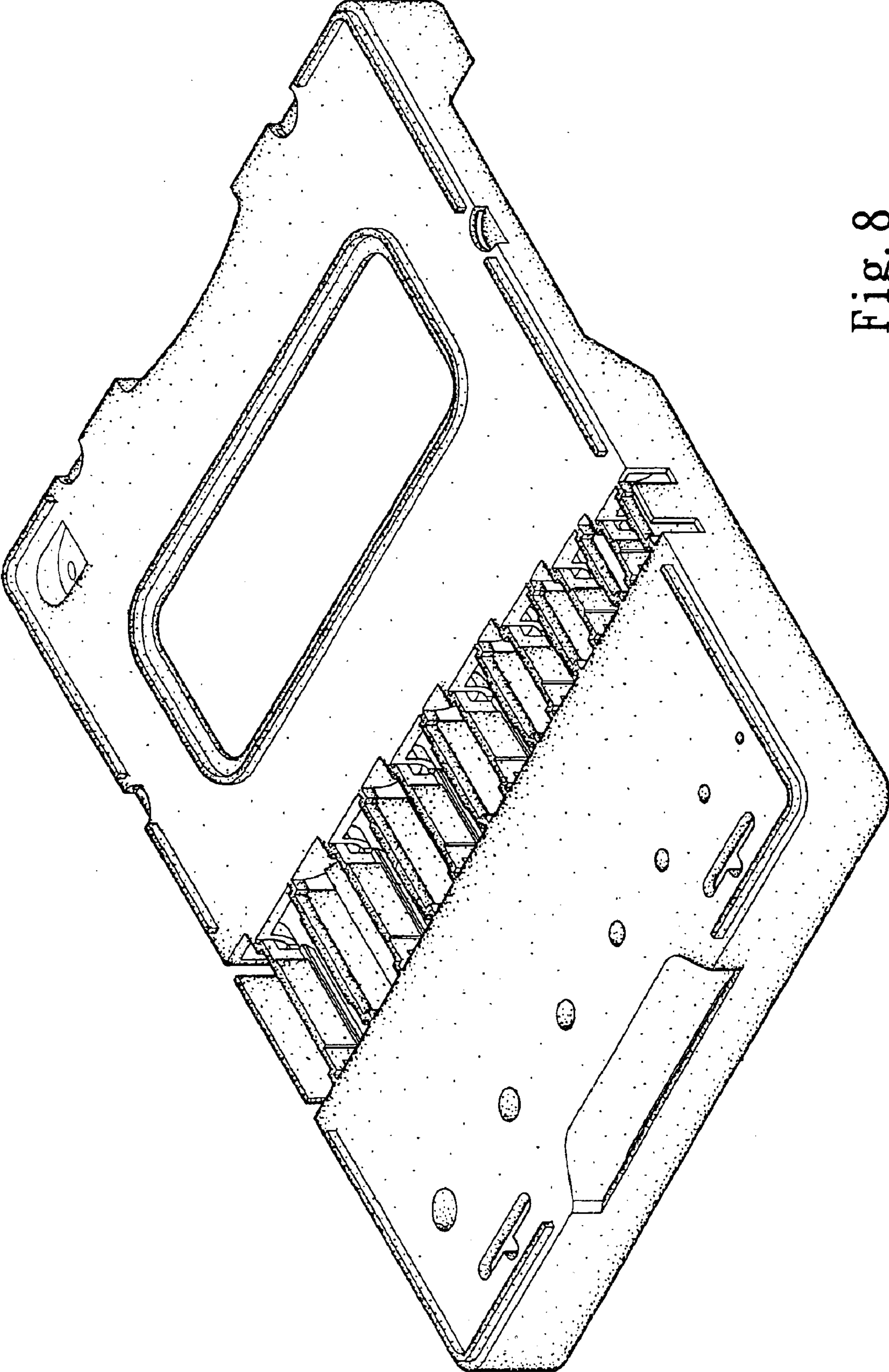


Fig. 8