

US00D502090S

(12) **United States Design Patent**
Castellanos

(10) **Patent No.:** **US D502,090 S**

(45) **Date of Patent:** **** Feb. 22, 2005**

(54) **TRACK**

(76) **Inventor:** **Rigoberto Castellanos**, 26 SW. 97 Ct.,
Miami, FL (US) 33174

(**) **Term:** **14 Years**

(21) **Appl. No.:** **29/192,070**

(22) **Filed:** **Oct. 20, 2003**

(51) **LOC (7) Cl.** **08-05**

(52) **U.S. Cl.** **D8/377**

(58) **Field of Search** D8/377; D25/119-125;
160/87.6 R, 330, 341, 345

(56) **References Cited**

U.S. PATENT DOCUMENTS

969,163 A *	9/1910	Hunter	312/140
3,434,524 A *	3/1969	Fein	160/345
D266,143 S *	9/1982	Smith	D8/377
D283,395 S *	4/1986	Cox et al.	D25/119
D306,079 S *	2/1990	Whitney	D25/119
D310,775 S *	9/1990	Ruonala	D8/377
D318,343 S *	7/1991	Miller et al.	D26/140

* cited by examiner

Primary Examiner—Holly Baynham

(74) *Attorney, Agent, or Firm*—Albert Bordas; J. Sanchelima

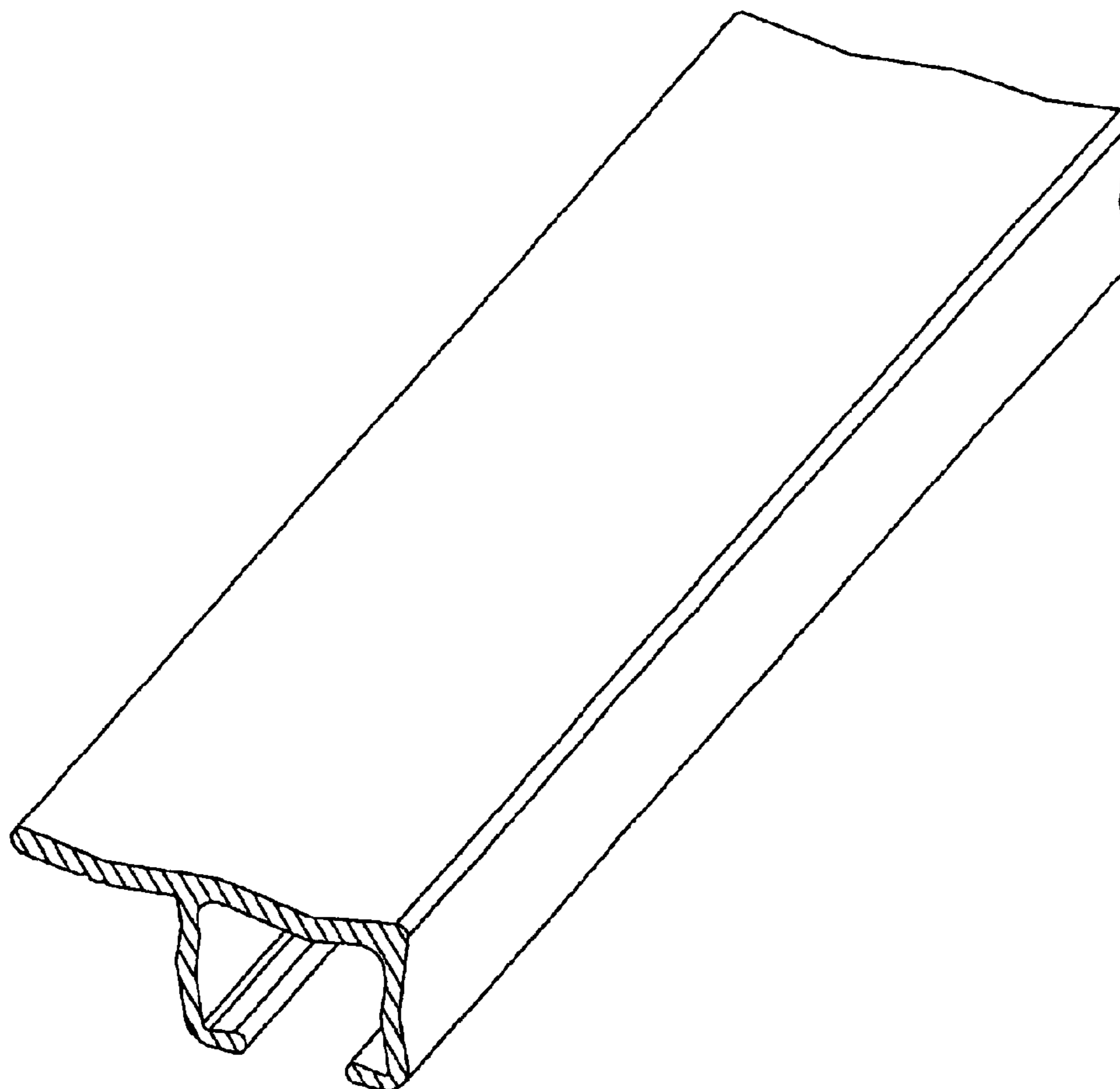
(57) **CLAIM**

The ornamental design for track, as shown and described.

DESCRIPTION

FIG. 1 is a front view of a track showing my new design;
 FIG. 2 is an enlarged fragmented rear view thereof;
 FIG. 3 is an enlarged fragmented top view thereof;
 FIG. 4 is an enlarged fragmented bottom view thereof;
 FIG. 5 is an enlarged left view thereof;
 FIG. 6 is an enlarged right view thereof;
 FIG. 7 is an enlarged fragmented perspective front view of my instant invention;
 FIG. 8 is an enlarged fragmented perspective rear view of my instant invention; and,
 FIG. 9 is an isometric fragmented front view of my instant invention mounted on a ceiling with a curtain installed.
 The broken lines are for environmental purposes only and form no part of the claimed design. The views of FIGS. 2-4 and 7-9 are shown fragmented for ease of illustration.

1 Claim, 4 Drawing Sheets



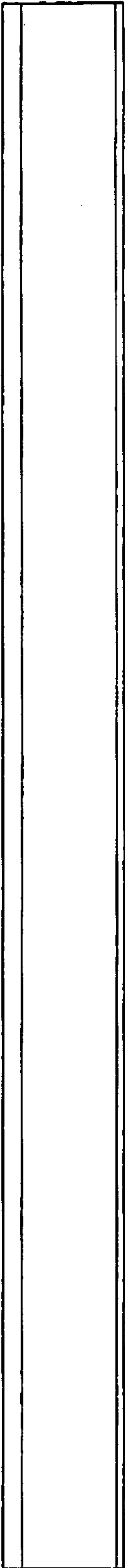


Fig 1

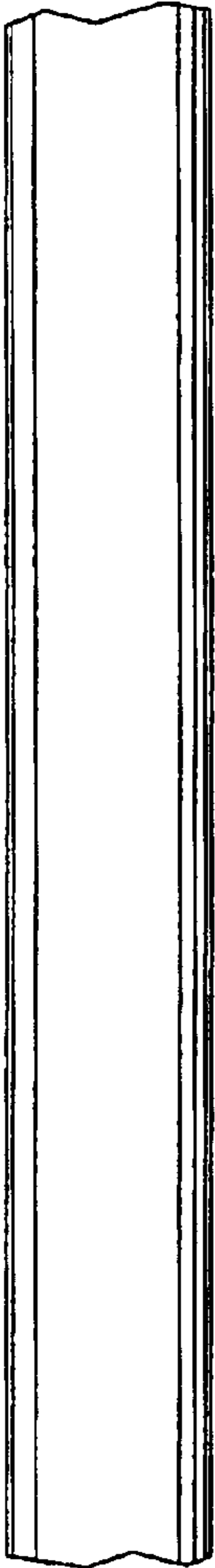


Fig 2

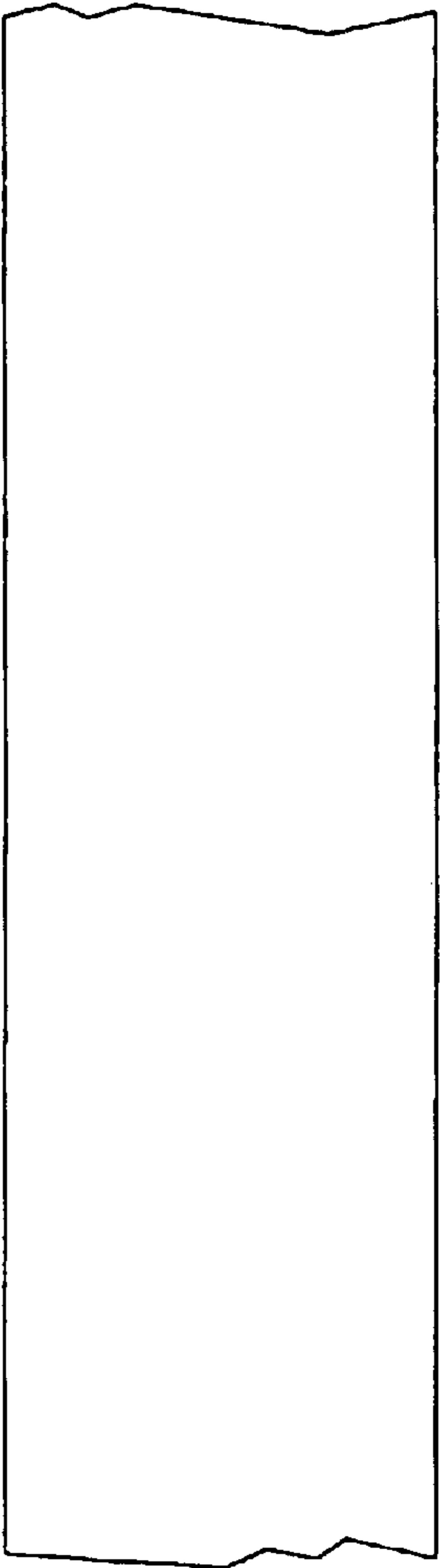


Fig 3

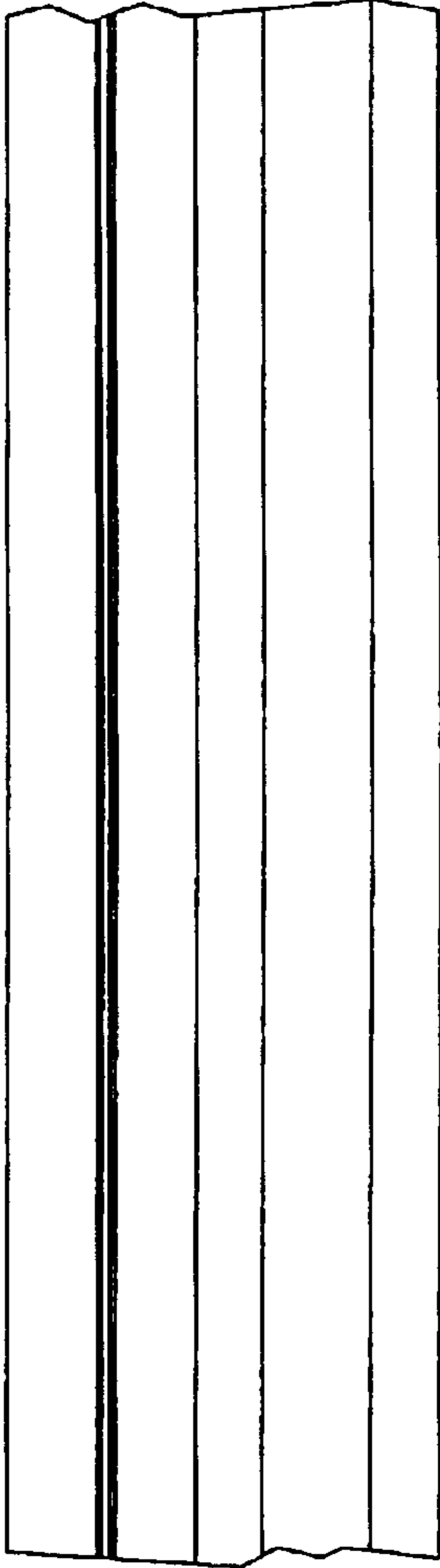


Fig 4

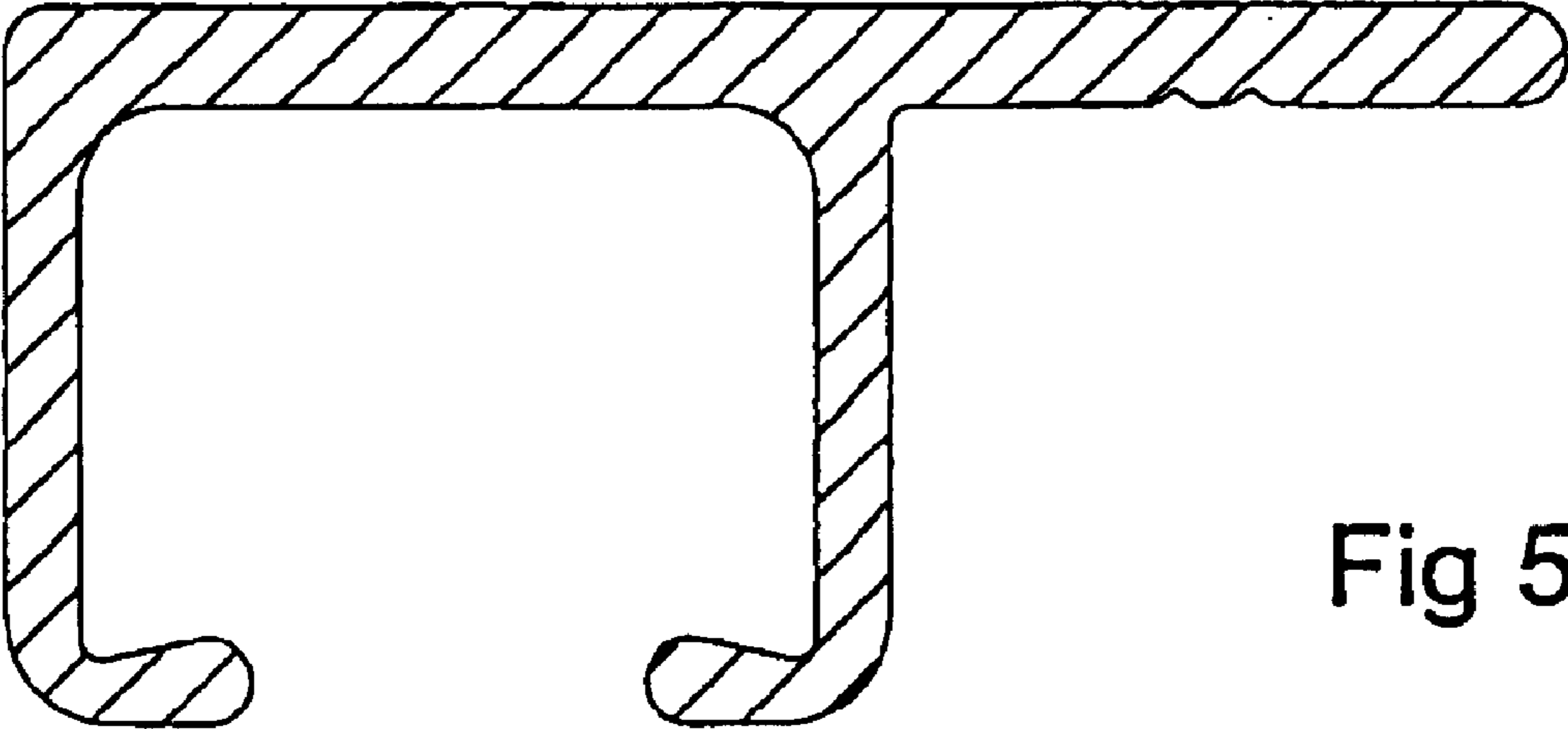


Fig 5

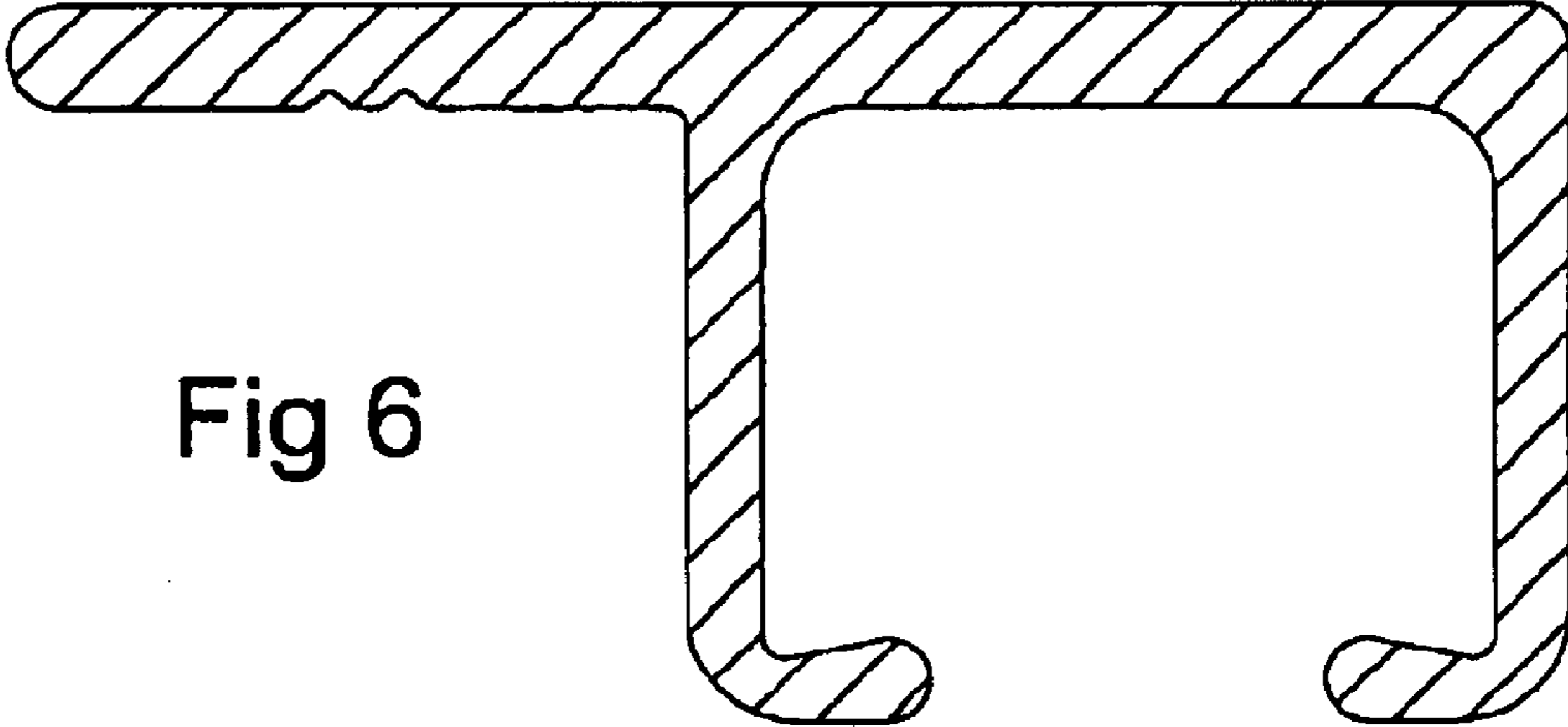


Fig 6

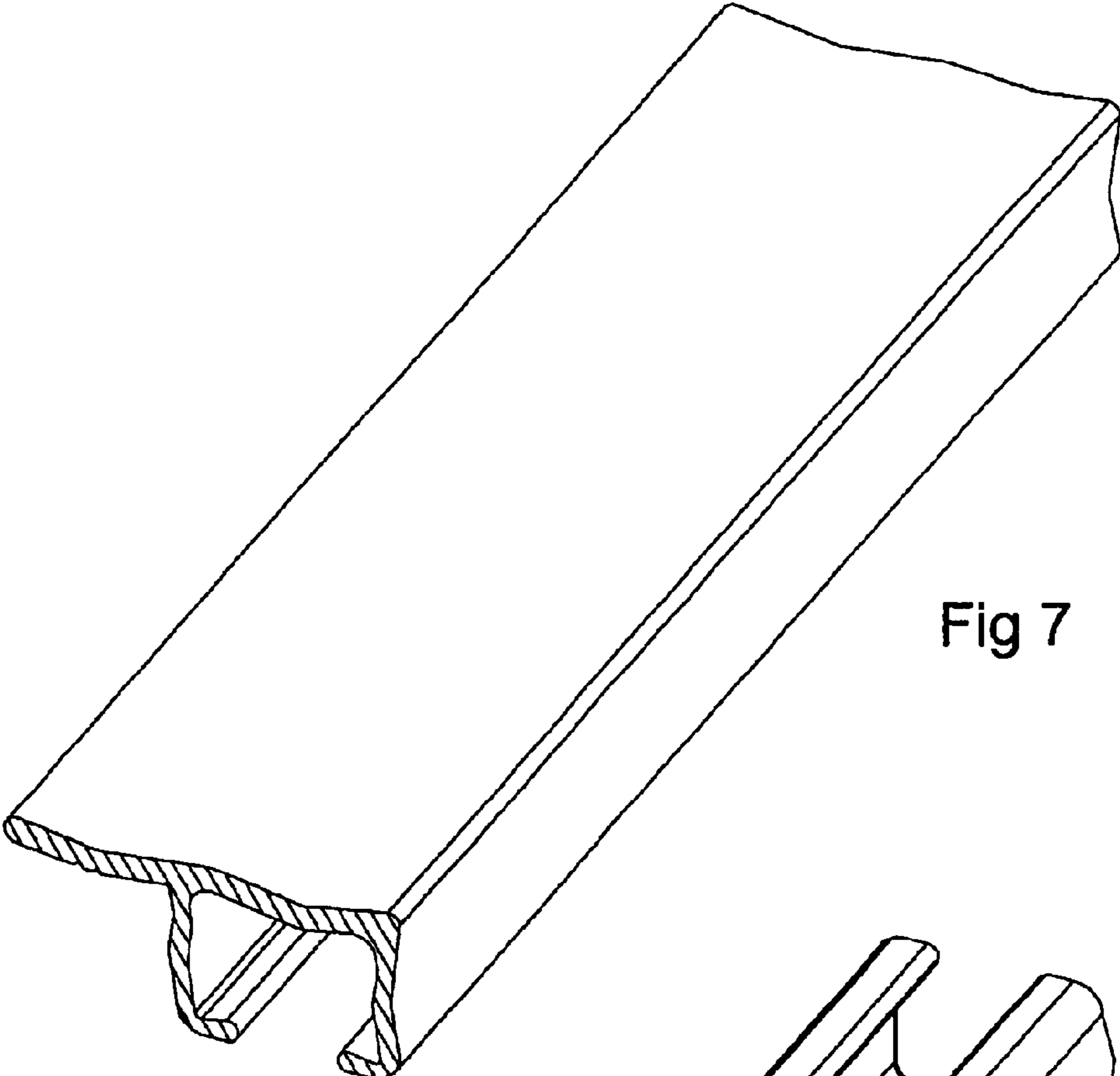


Fig 7

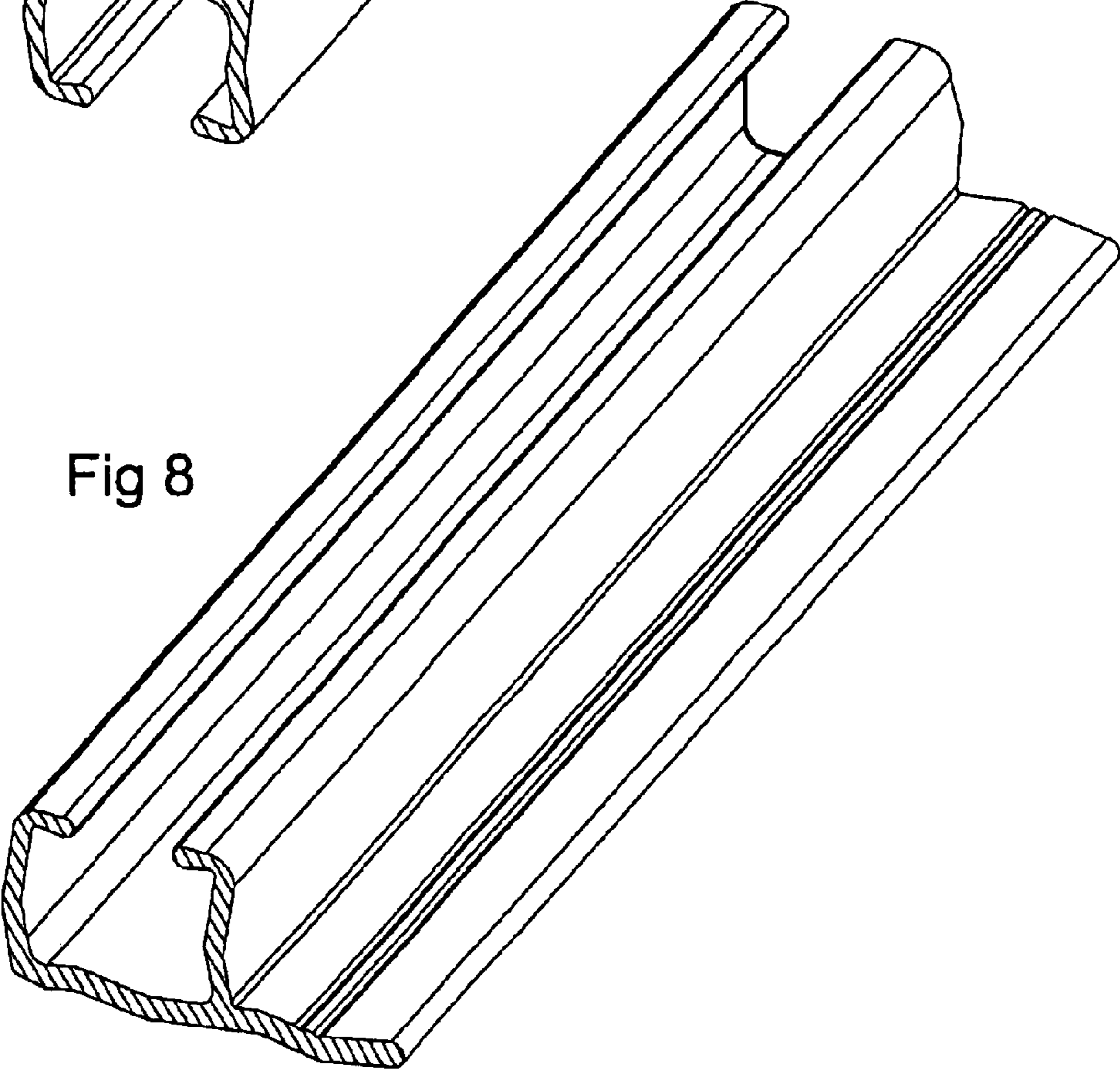


Fig 8

Fig 9

