

US00D502089S

(12) **United States Design Patent**  
**Hung**

(10) **Patent No.:** **US D502,089 S**

(45) **Date of Patent:** **\*\* Feb. 22, 2005**

(54) **SAFE HOOK**

2002/0152593 A1 \* 10/2002 Hong ..... 24/599.1

(76) **Inventor:** **Steven Hung**, 20, 34rd Road, Taichung  
Ind Park, Taichung City 407 (TW)

\* cited by examiner

*Primary Examiner*—Holly Baynham

(\*\*) **Term:** **14 Years**

(74) *Attorney, Agent, or Firm*—Troxell Law Office PLLC

(21) **Appl. No.:** **29/204,777**

(57) **CLAIM**

(22) **Filed:** **May 5, 2004**

The ornamental design for a safe hook, as shown and described.

(51) **LOC (7) Cl.** ..... **08-05**

**DESCRIPTION**

(52) **U.S. Cl.** ..... **D8/367**

FIG. 1 is a front elevation view thereof.

(58) **Field of Search** ..... D8/367; 294/82.1,

FIG. 2 is a rear elevation view thereof.

294/82.11; 24/600.1, 599.5, 600.3, 599.2

FIG. 3 is a left side view thereof.

(56) **References Cited**

FIG. 4 is a right side view thereof.

**U.S. PATENT DOCUMENTS**

FIG. 5 is a top plan view thereof.

3,501,817 A \* 3/1970 Bambenek et al. .... 294/82.19

FIG. 6 is a bottom plan view thereof; and,

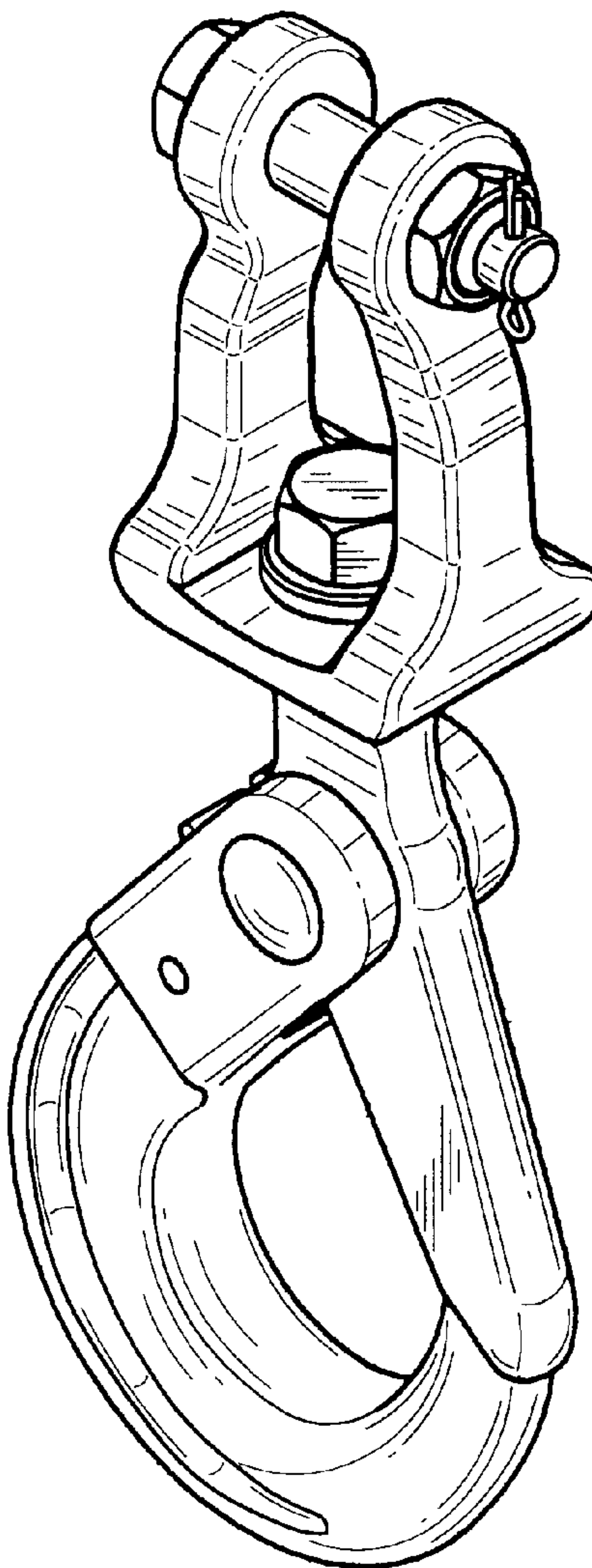
D283,673 S \* 5/1986 Berg ..... D8/367

FIG. 7 is a perspective view of a safe hook showing my new

5,002,420 A \* 3/1991 Loyd ..... 403/165

design.

**1 Claim, 3 Drawing Sheets**



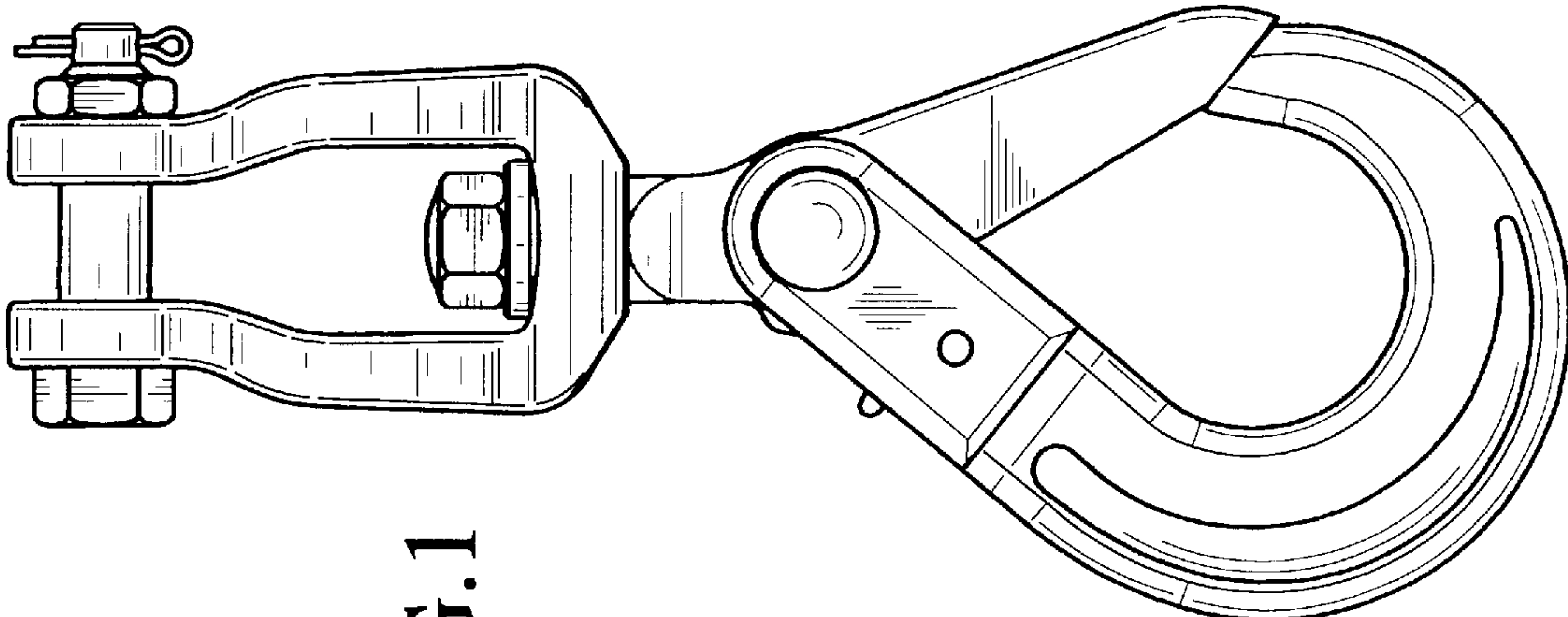


FIG. 1

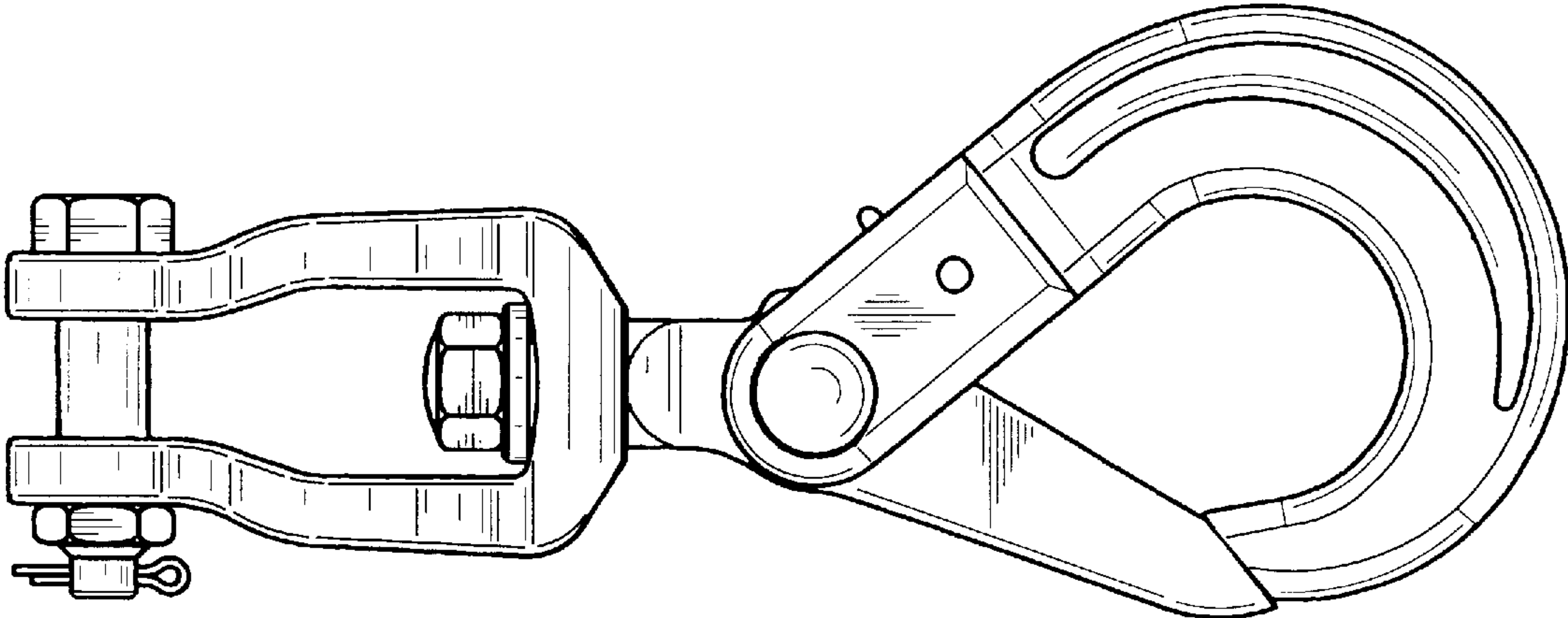


FIG. 2

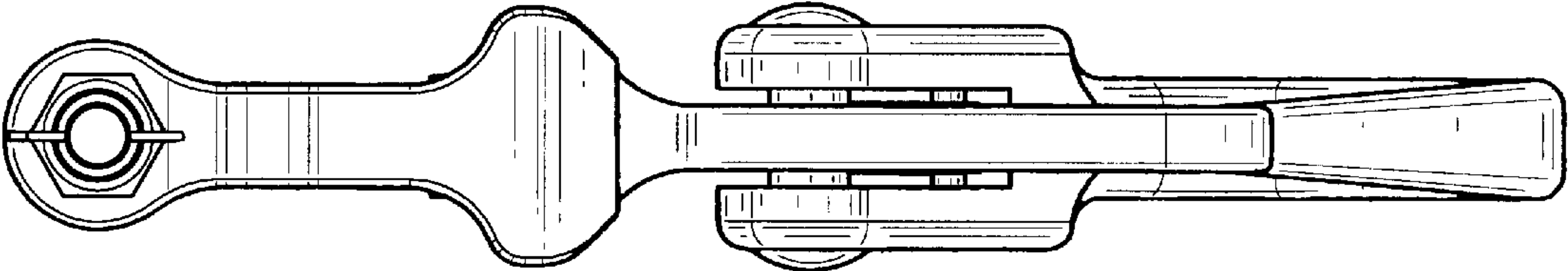


FIG.4

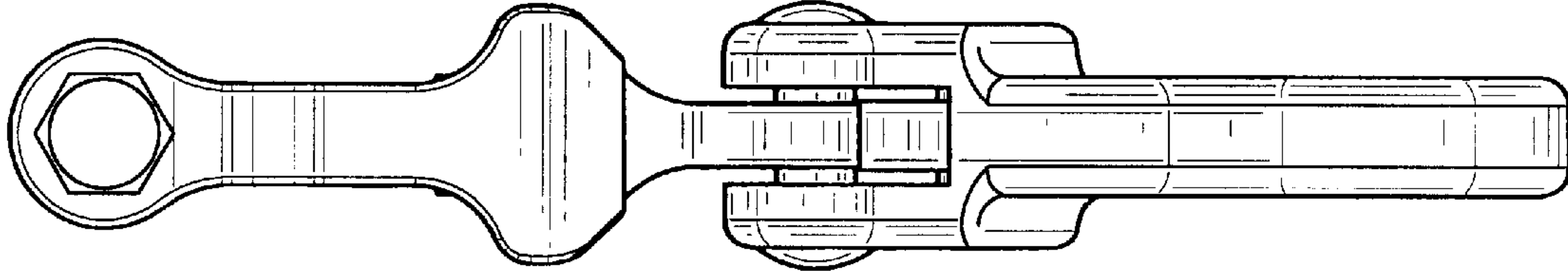


FIG.3

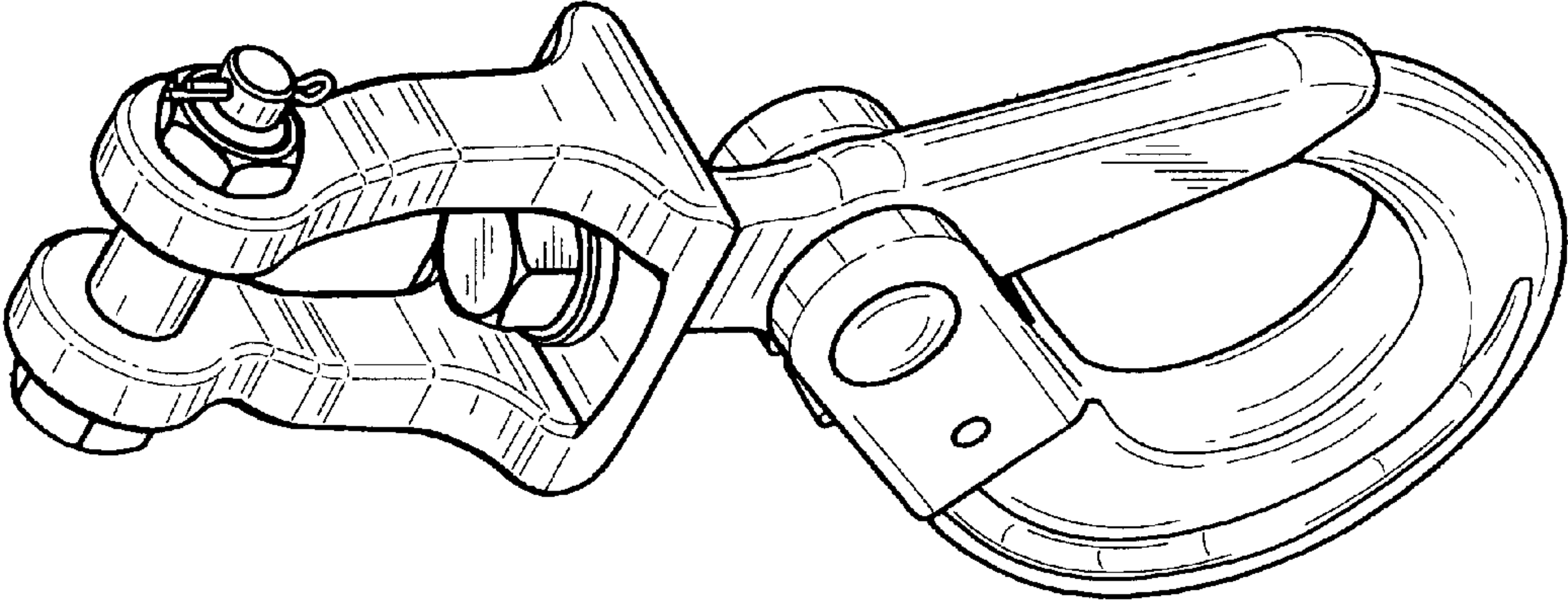


FIG. 7

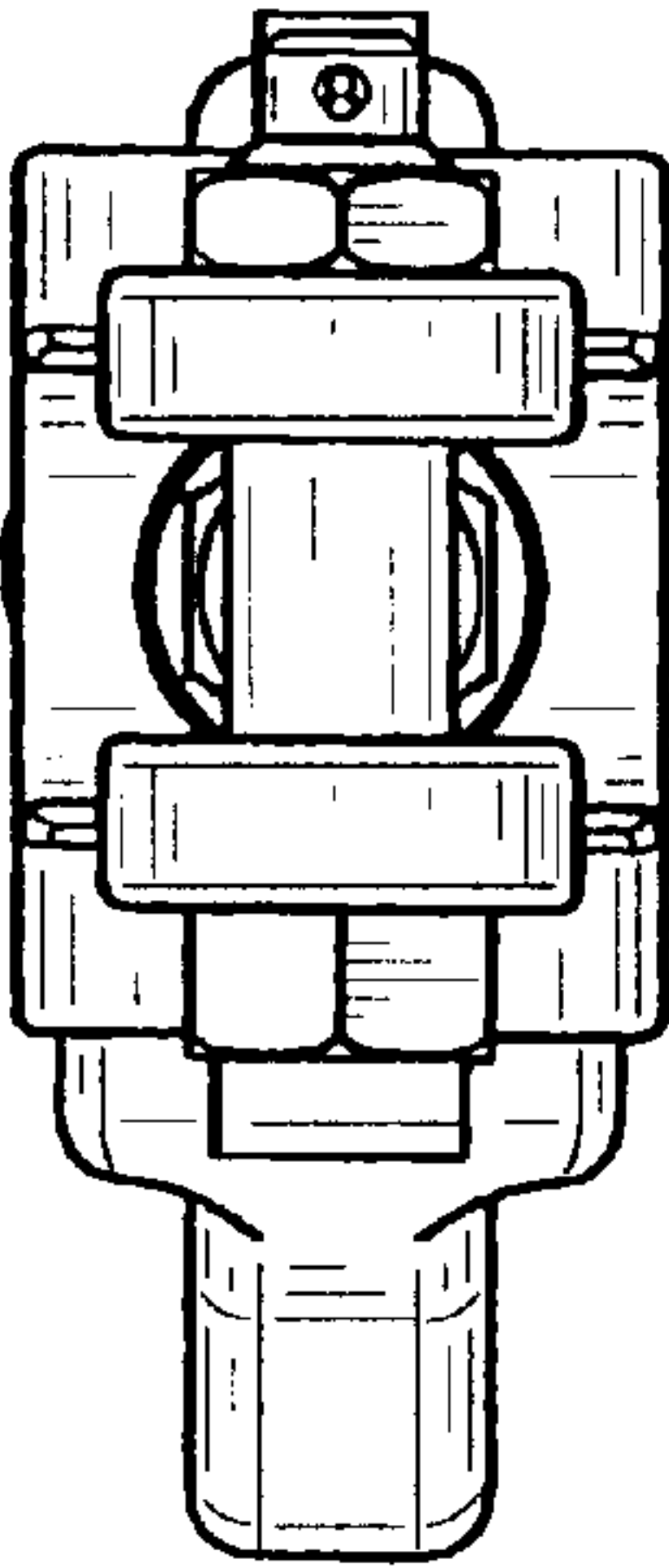


FIG. 5

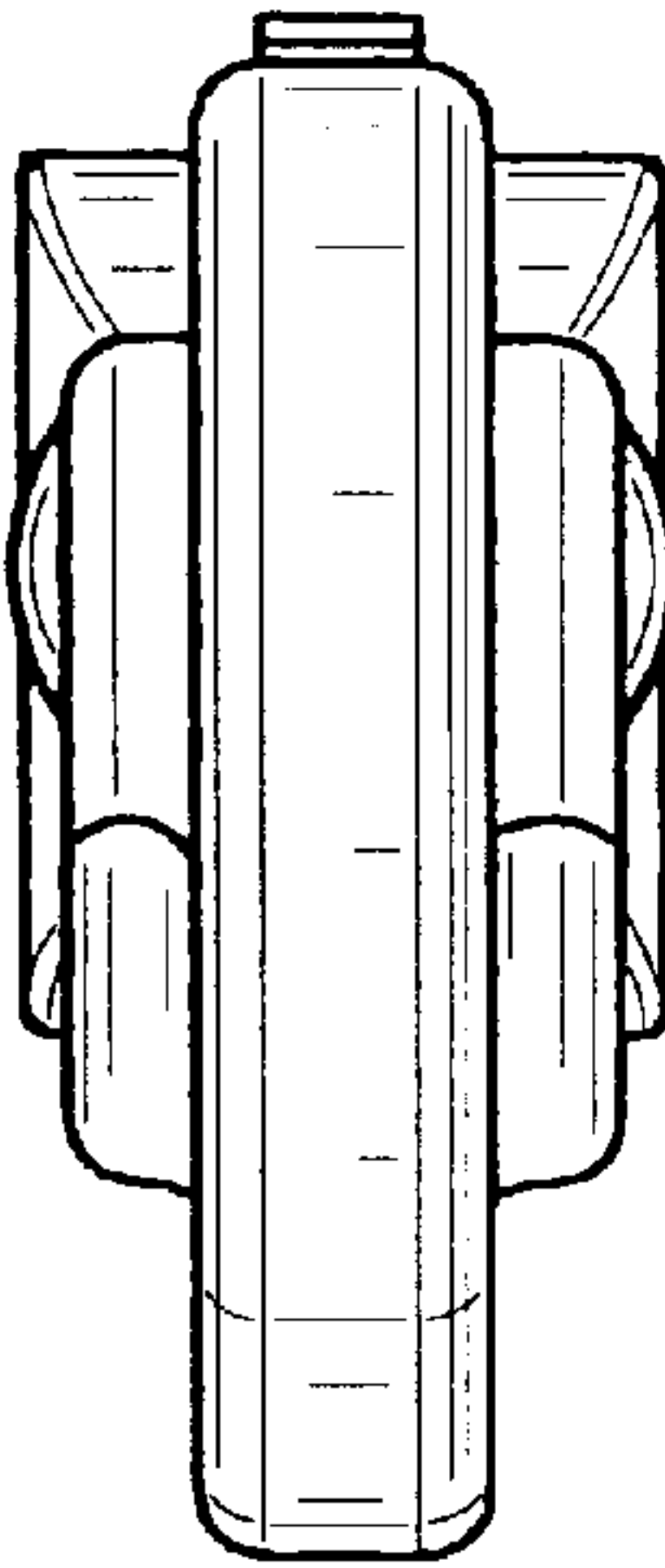


FIG. 6