

US00D502086S

(12) **United States Design Patent**
Denoual

(10) **Patent No.:** **US D502,086 S**

(45) **Date of Patent:** **** Feb. 22, 2005**

(54) **DOOR HANDLESET**

(75) **Inventor:** **Thierry Denoual**, St. Gabriel Brecy (FR)

(73) **Assignee:** **Studio 1884 sarl**, Flers (FR)

(**) **Term:** **14 Years**

(21) **Appl. No.:** **29/191,547**

(22) **Filed:** **Oct. 8, 2003**

(51) **LOC (7) Cl.** **08-06**

(52) **U.S. Cl.** **D8/302**

(58) **Field of Search** D8/300–302, 350,
D8/352, 353; 292/336.3, 347, 357; 16/402;
70/450, 452; D23/250–257

(56) **References Cited**

U.S. PATENT DOCUMENTS

4,671,089	A	*	6/1987	Fleming et al.	70/452
D295,829	S	*	5/1988	Ortega et al.	D8/301
D300,203	S	*	3/1989	Halsted et al.	D8/302
D351,980	S	*	11/1994	Molteni	D8/302
D362,380	S	*	9/1995	Ellis et al.	D8/301
D362,609	S	*	9/1995	Ellis et al.	D8/302
D447,927	S	*	9/2001	LaPlume et al.	D8/302
D475,767	S	*	6/2003	Yegyayan et al.	D23/252
D487,388	S	*	3/2004	Gundlach et al.	D8/302

* cited by examiner

Primary Examiner—Paula A. Greene

(74) *Attorney, Agent, or Firm*—Craig M. Stainbrook; Larry D. Johnson; Johnson & Stainbrook, LLP

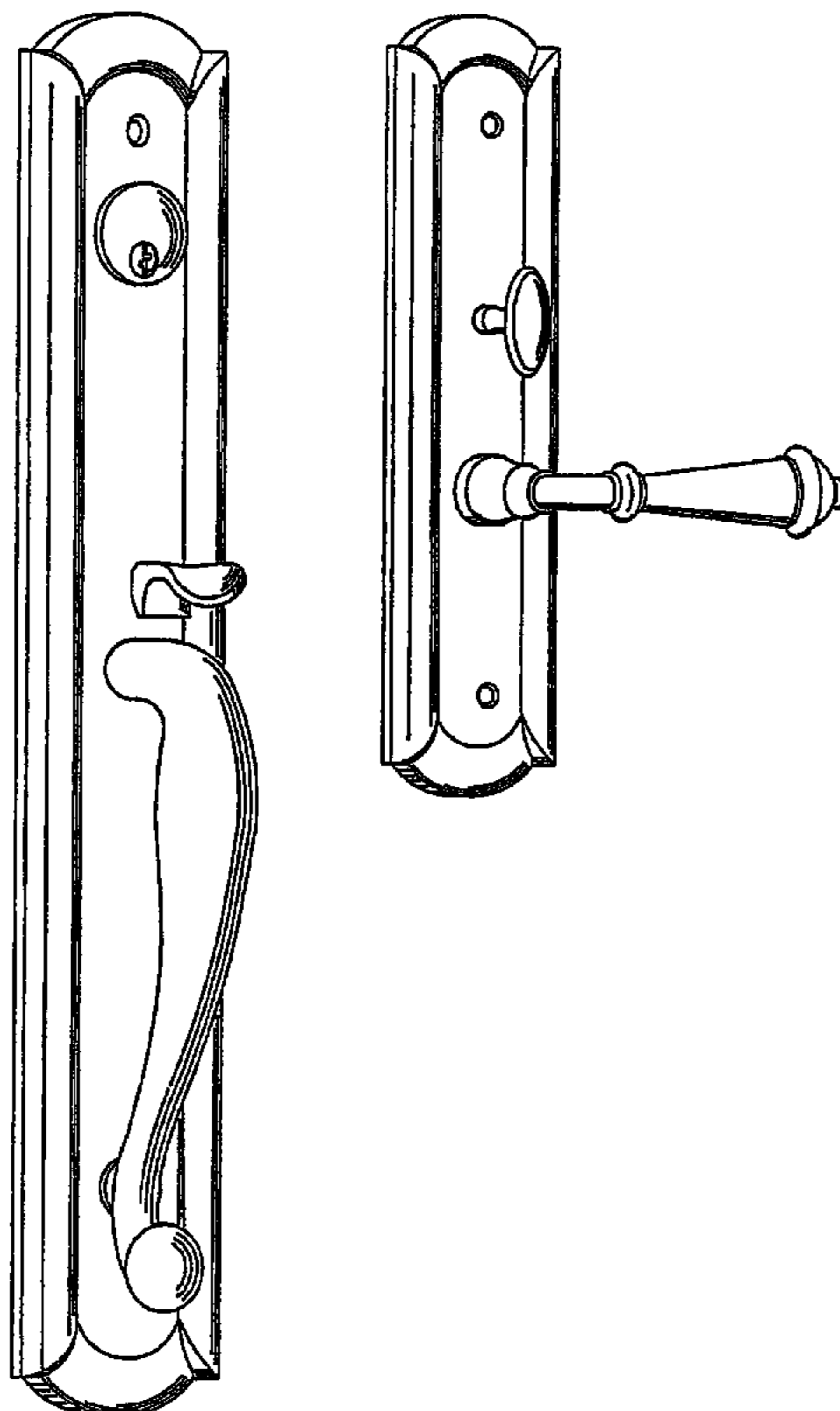
(57) **CLAIM**

The ornamental design for a door handleset, as shown and described.

DESCRIPTION

FIG. 1A is a perspective view of the exterior door handle of my new and ornamental design for a door handleset; FIG. 1B is a perspective view of the interior door handle of the door handleset; FIG. 2A is a front elevation view of the exterior door handle, the rear being unornamented; FIG. 2B is a front elevation view of the interior door handle, the rear being unornamented; FIG. 3A is a right side elevation view of the exterior door handle; FIG. 3B is a left side elevation view of the interior door handle; FIG. 4A is a left side elevation view of the exterior door handle; FIG. 4B is a right side elevation view of the interior door handle; FIG. 5A is a top view of the exterior door handle; FIG. 5B is a top view of the interior door handle; FIG. 6A is a bottom view of the exterior door handle; and, FIG. 6B is a bottom view of the interior door handle.

1 Claim, 6 Drawing Sheets



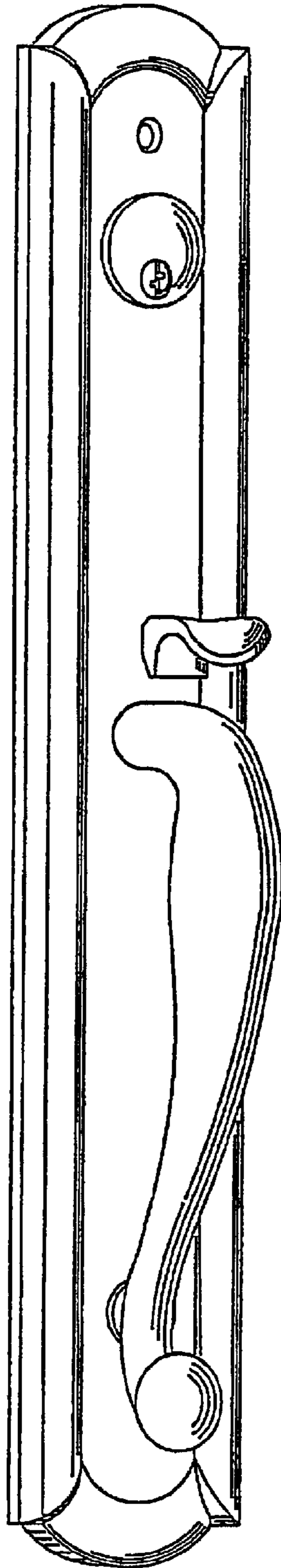


FIG._1A

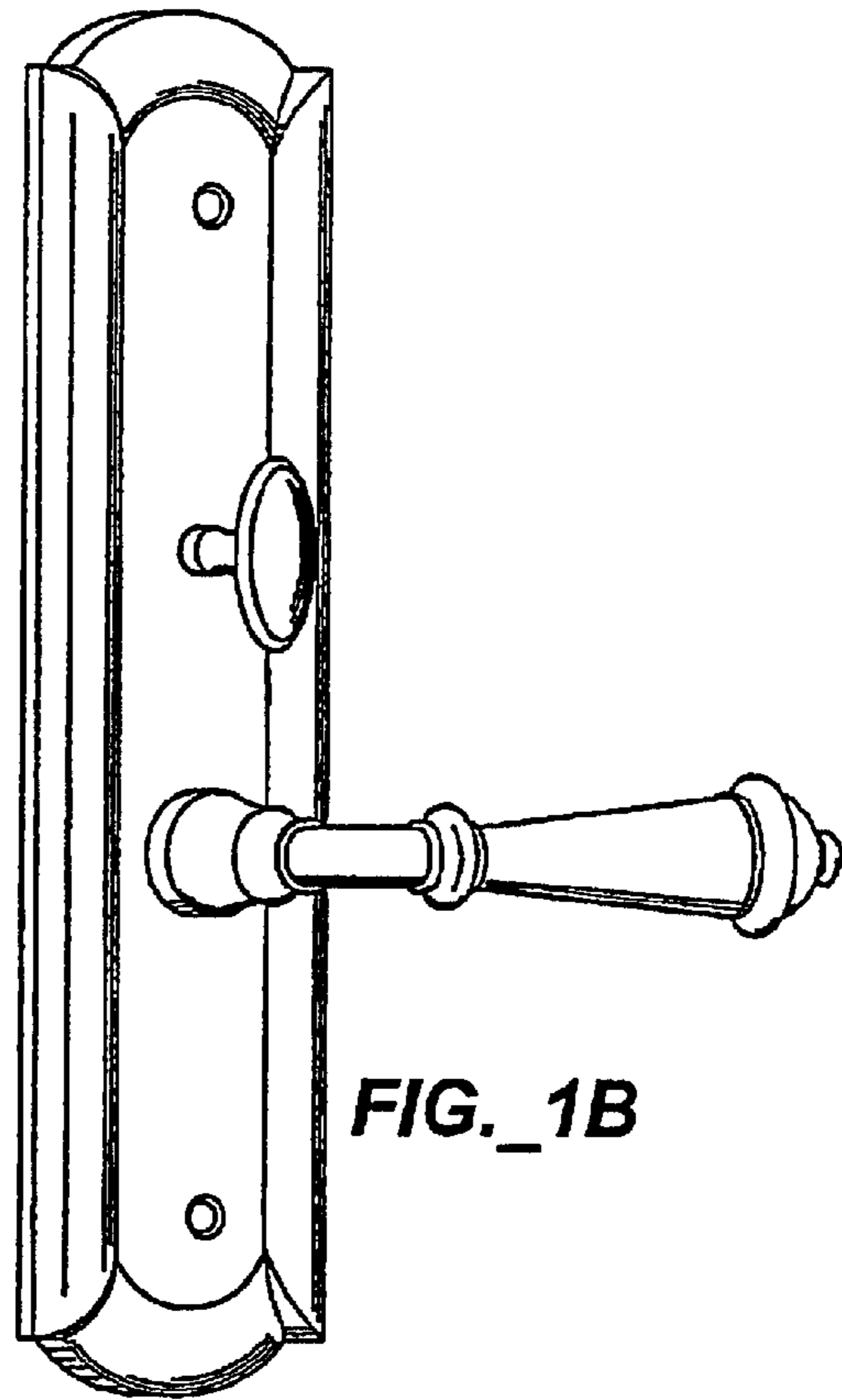


FIG._1B

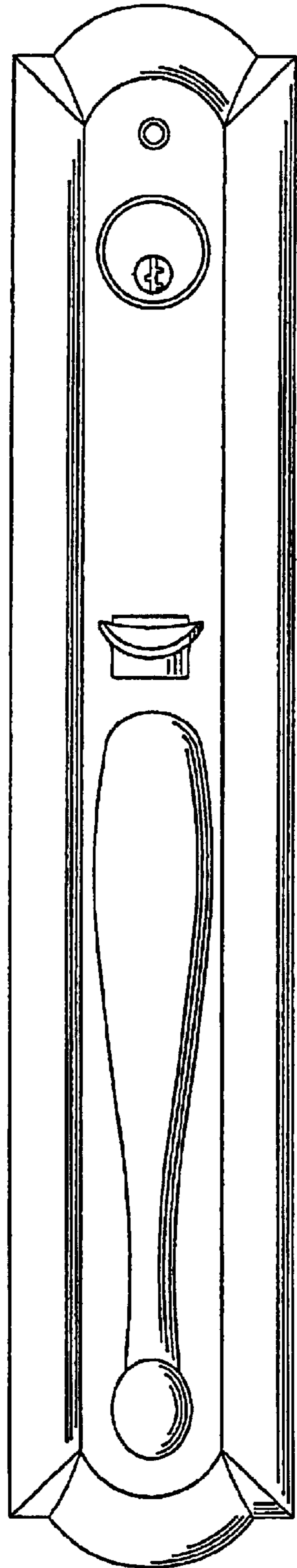


FIG._2A

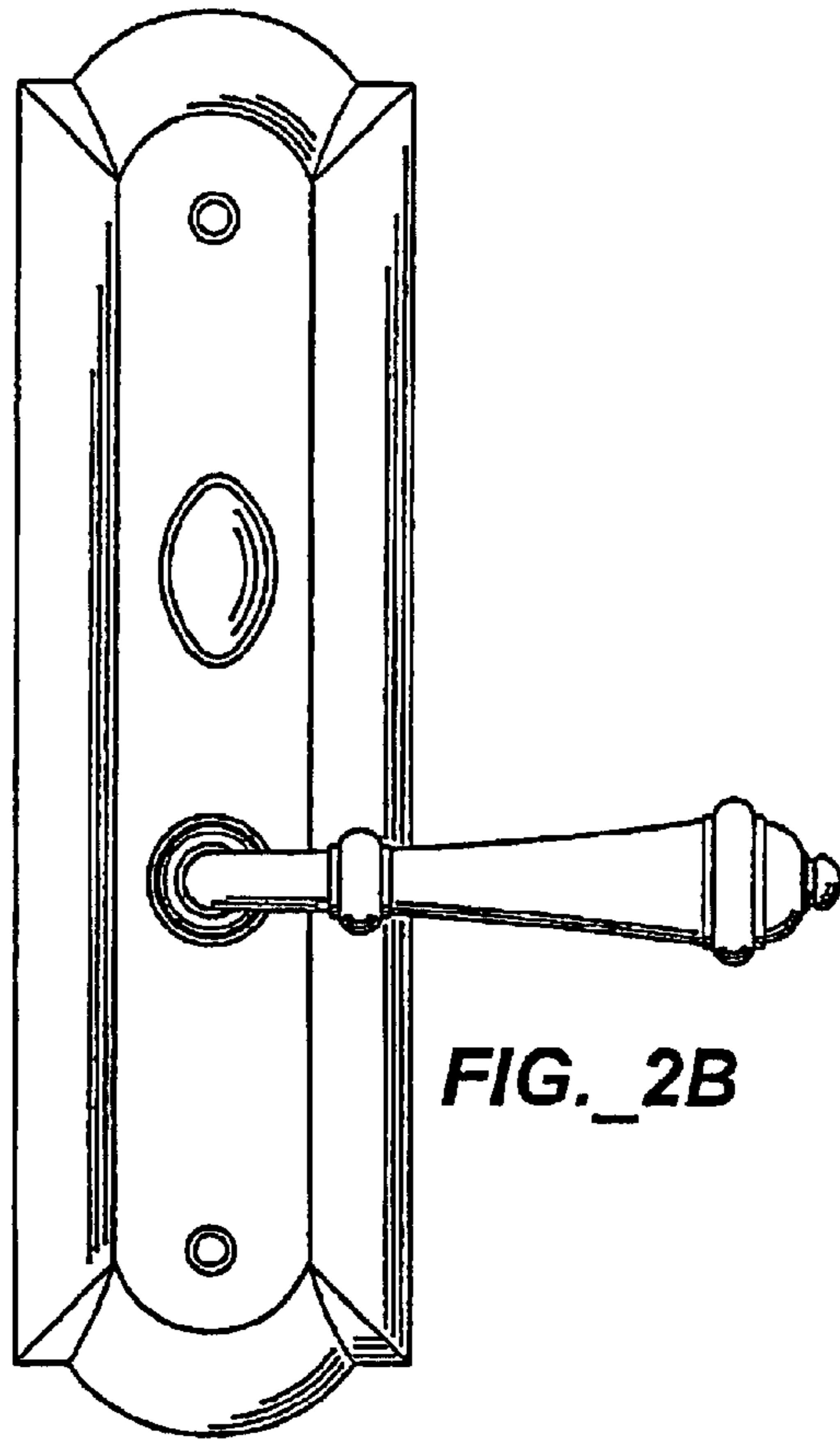
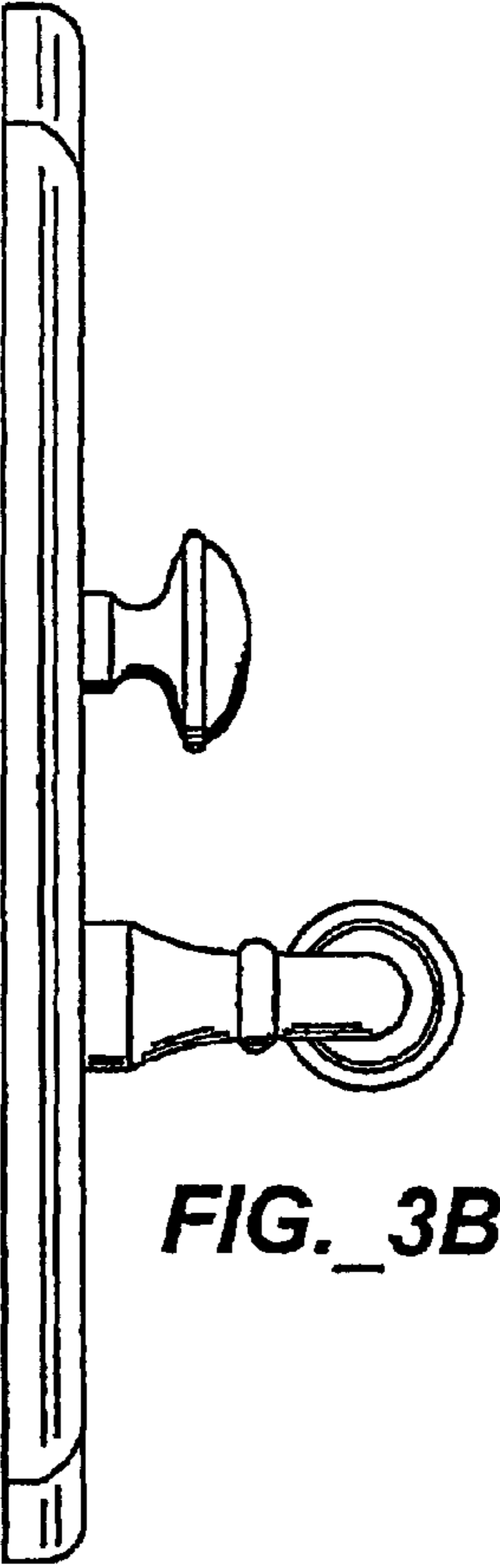
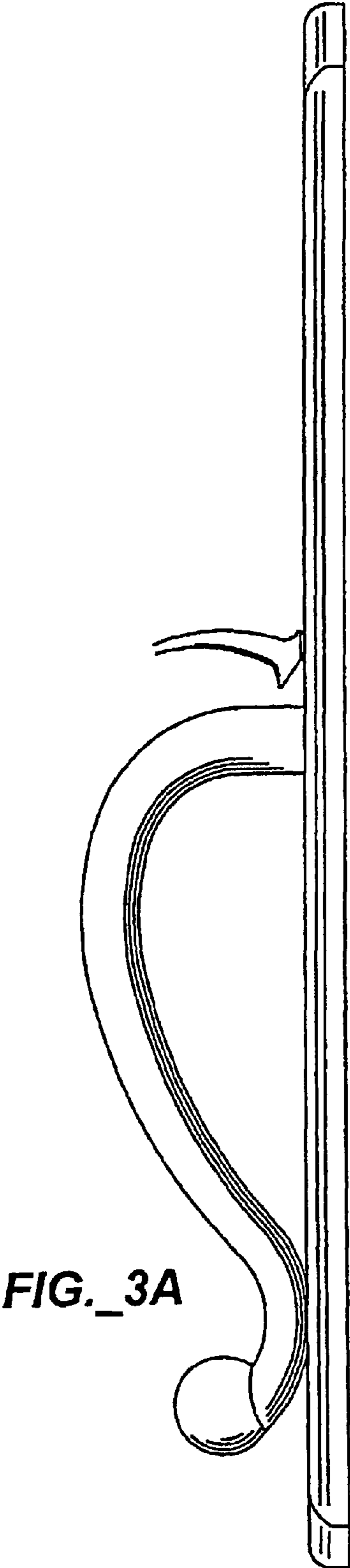


FIG._2B



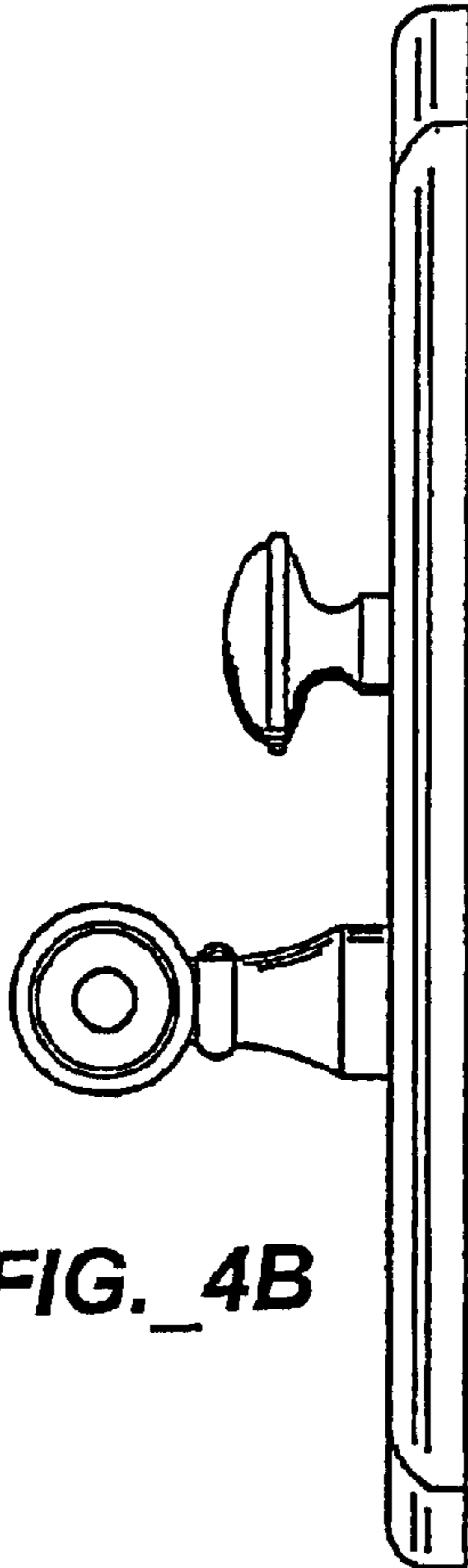


FIG. 4B

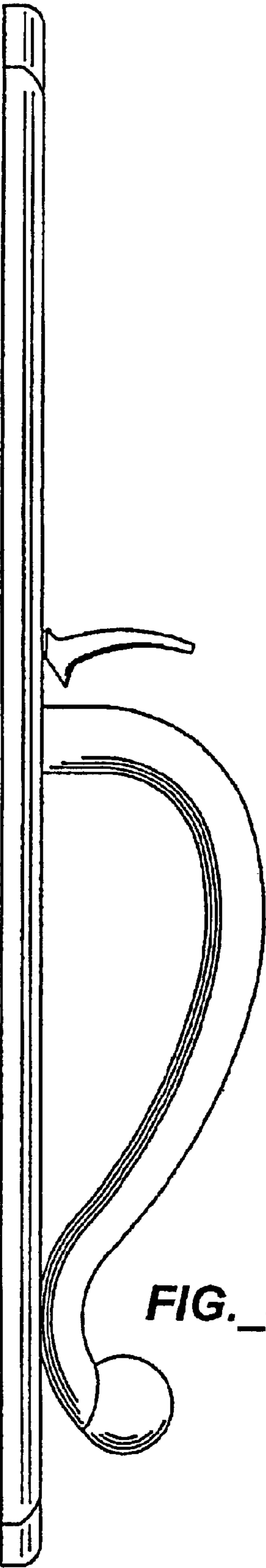


FIG. 4A

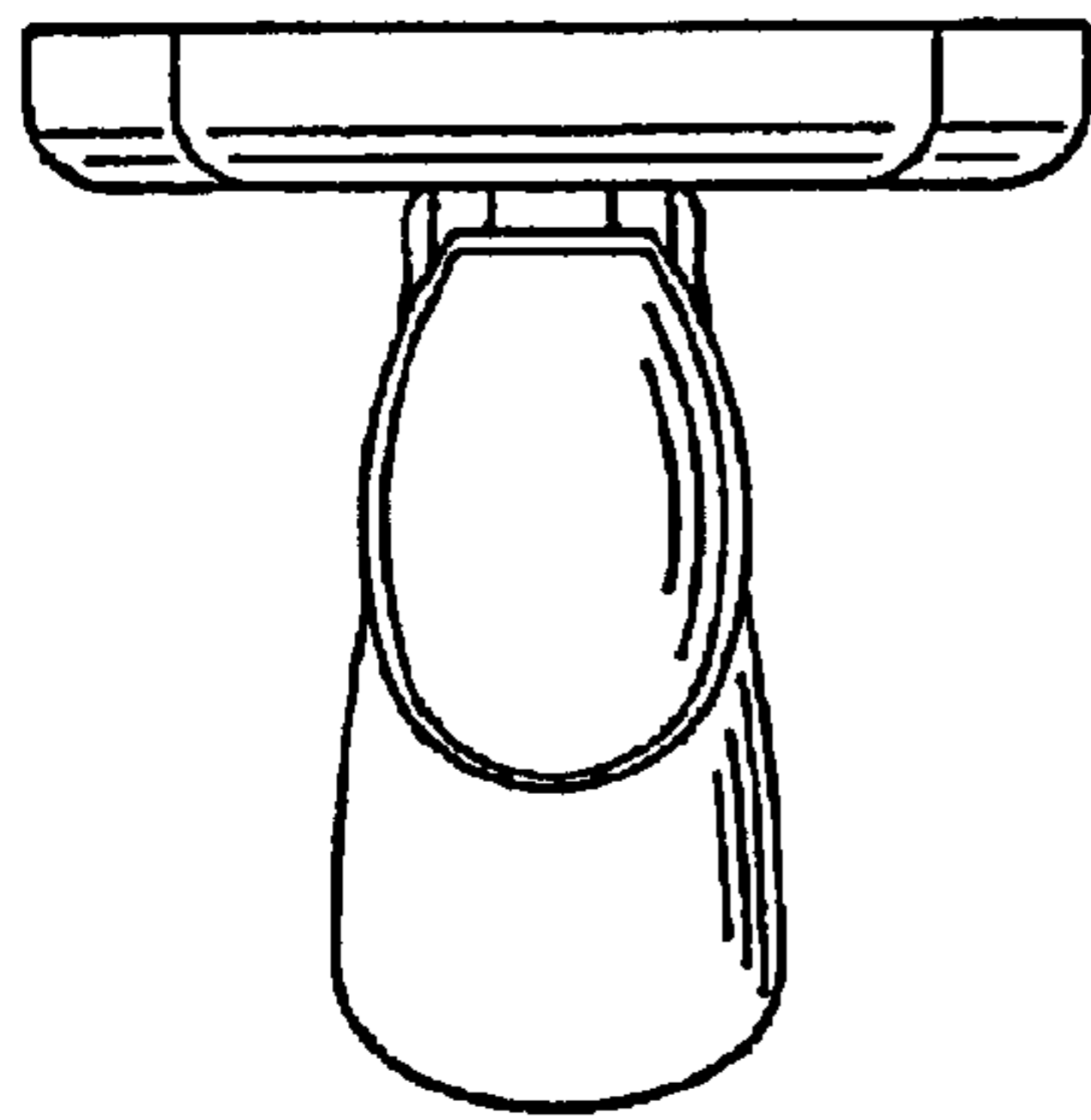


FIG._5A

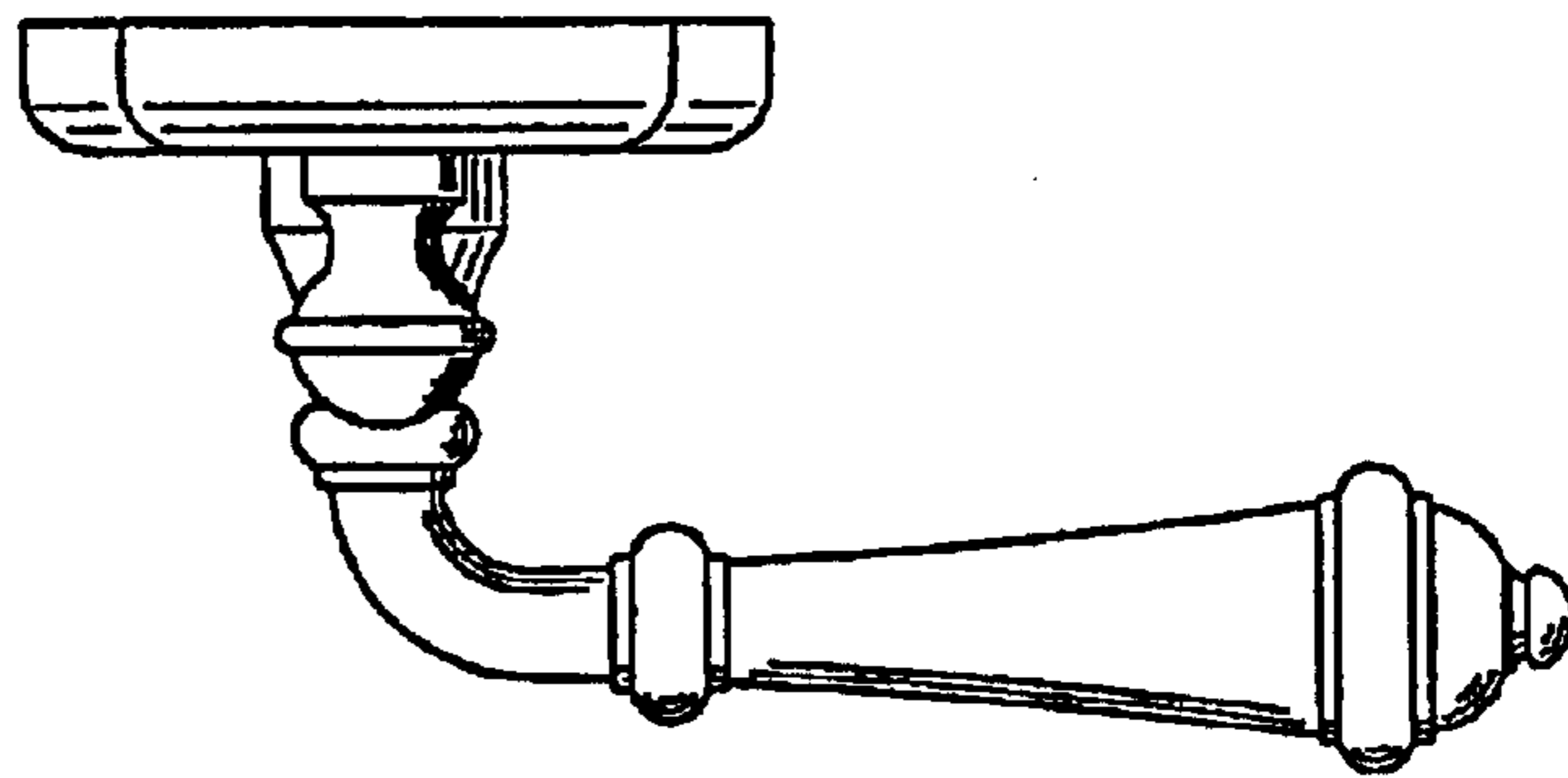


FIG._5B

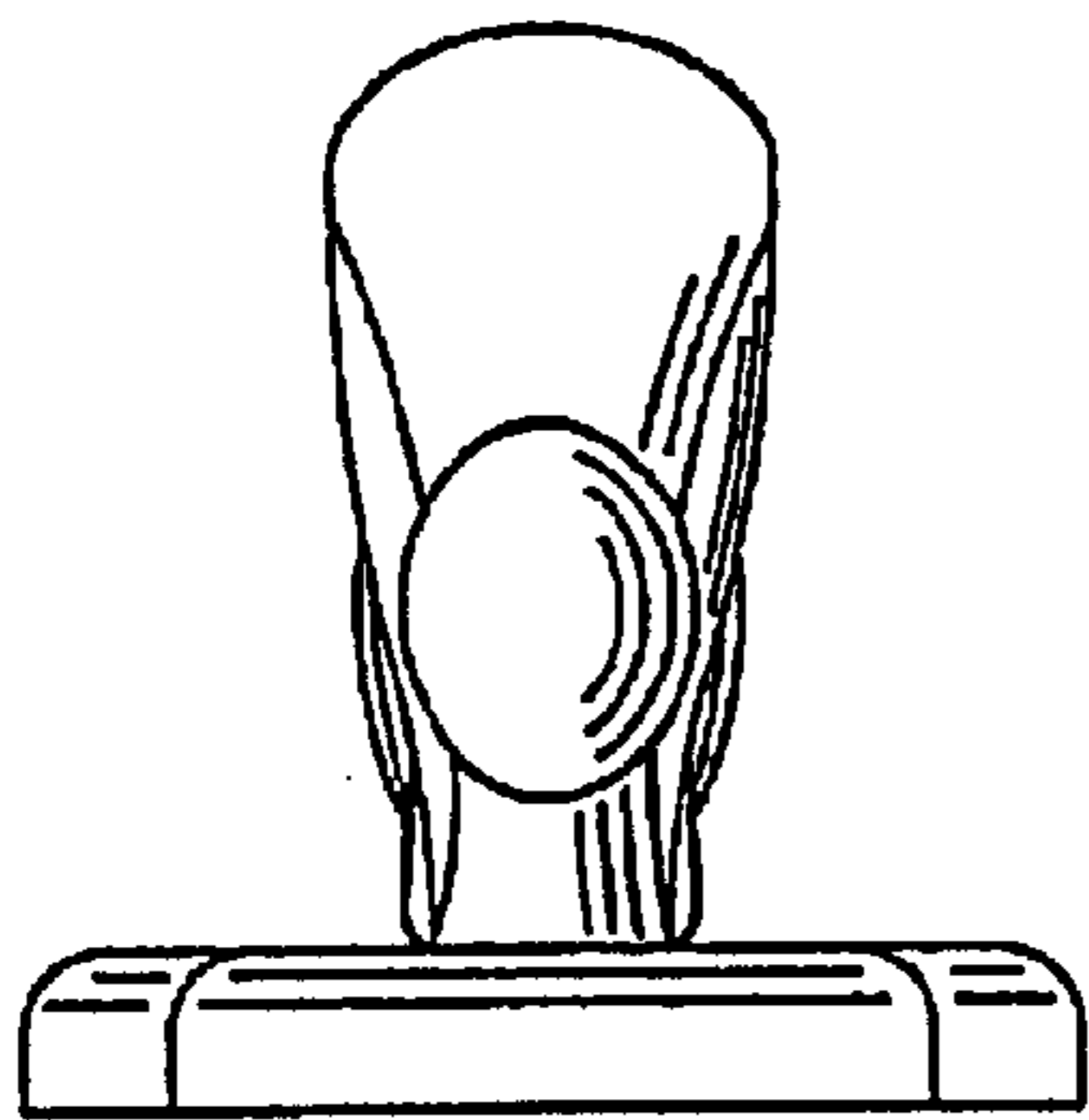


FIG. 6A

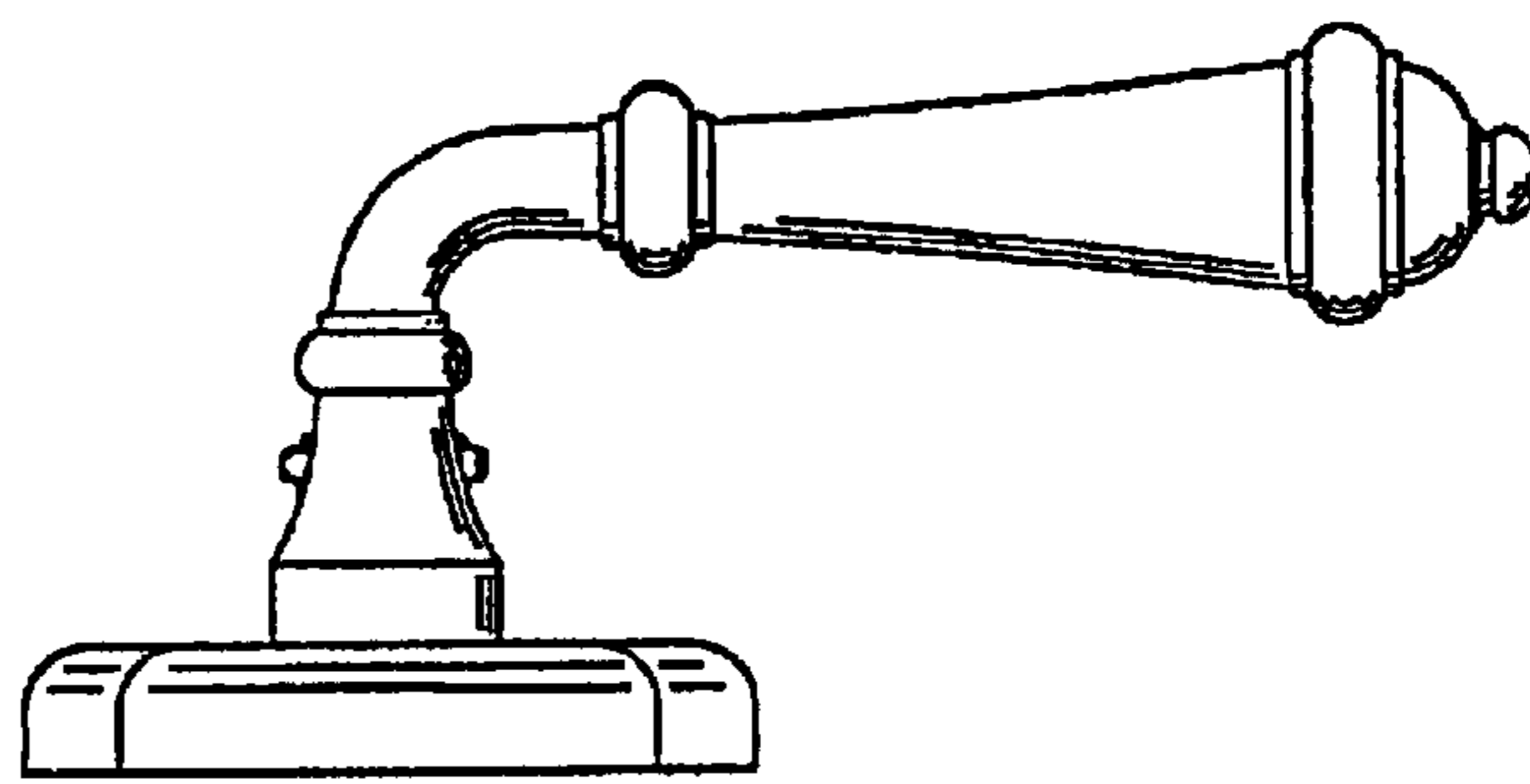


FIG. 6B