



US00D502084S

(12) **United States Design Patent** (10) **Patent No.:** **US D502,084 S**
Denoual (45) **Date of Patent:** **** Feb. 22, 2005**

(54) **DOOR HANDLESET**

(75) Inventor: **Thierry Denoual**, St. Gabriel Brecy (FR)

(73) Assignee: **Studio 1884 sarl**, Flers (FR)

(**) Term: **14 Years**

(21) Appl. No.: **29/191,545**

(22) Filed: **Oct. 8, 2003**

(51) **LOC (7) Cl.** **08-06**

(52) **U.S. Cl.** **D8/302**

(58) **Field of Search** D8/300–302, 308, D8/350, 352, 353, 404; 292/347, 357, 336.7; 16/402; 70/450, 452; D23/250–257

(56) **References Cited**

U.S. PATENT DOCUMENTS

D24,971 S	*	12/1895	Tyson	D8/404
D38,940 S	*	12/1907	Schoonmaker	D8/350
D261,857 S	*	11/1981	Valli	D8/301
D363,204 S	*	10/1995	Ellis et al.	D8/301
D378,984 S	*	4/1997	Carsello	D8/308
D447,927 S	*	9/2001	LaPlume et al.	D8/302

* cited by examiner

Primary Examiner—Paula A. Greene

(74) *Attorney, Agent, or Firm*—Craig M. Stainbrook; Larry D. Johnson; Johnson & Stainbrook, LLP

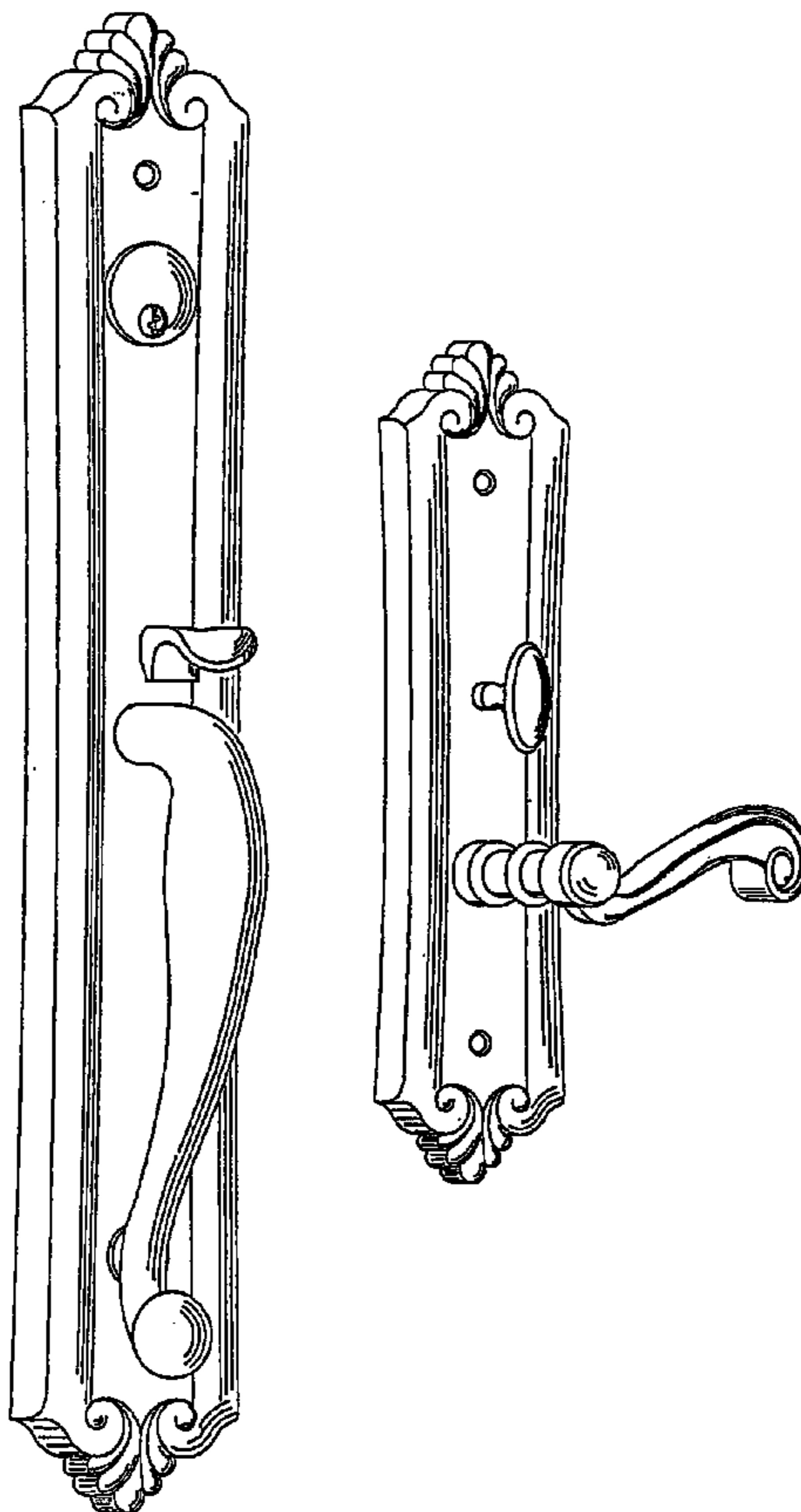
(57) **CLAIM**

The ornamental design for a door handleset, as shown and described.

DESCRIPTION

FIG. 1A is a perspective view of the exterior door handle of my new and ornamental design for a door handleset;
 FIG. 1B is a perspective view of the interior door handle of the door handleset;
 FIG. 2A is a front elevation view of the exterior door handle, the rear being unornamented;
 FIG. 2B is a front elevation view of the interior door handle, the rear being unornamented;
 FIG. 3A is a right side elevation view of the exterior door handle;
 FIG. 3B is a left side elevation view of the interior door handle;
 FIG. 4A is a left side elevation view of the exterior door handle;
 FIG. 4B is a right side elevation view of the interior door handle;
 FIG. 5A is a top view of the exterior door handle;
 FIG. 5B is a top view of the interior door handle;
 FIG. 6A is a bottom view of the exterior door handle; and,
 FIG. 6B is a bottom view of the interior door handle.

1 Claim, 6 Drawing Sheets



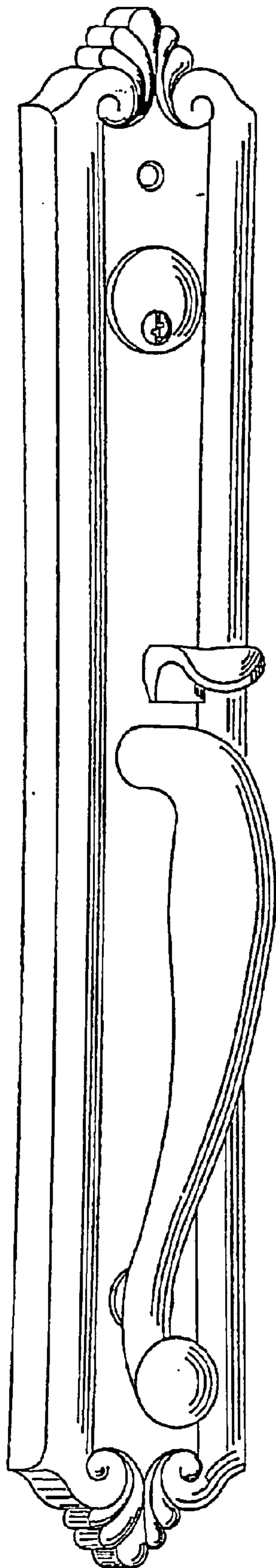


FIG. 1A

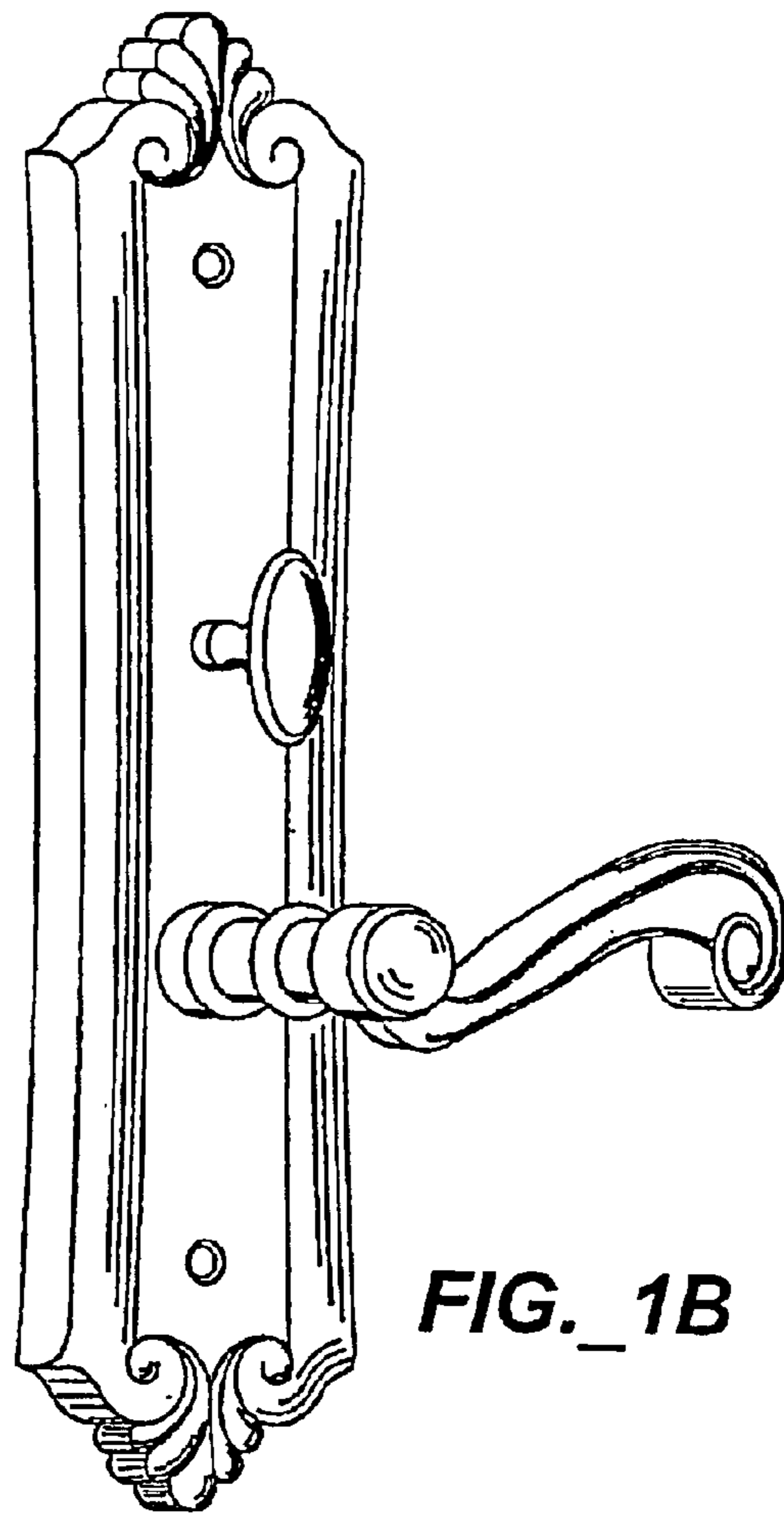


FIG. 1B

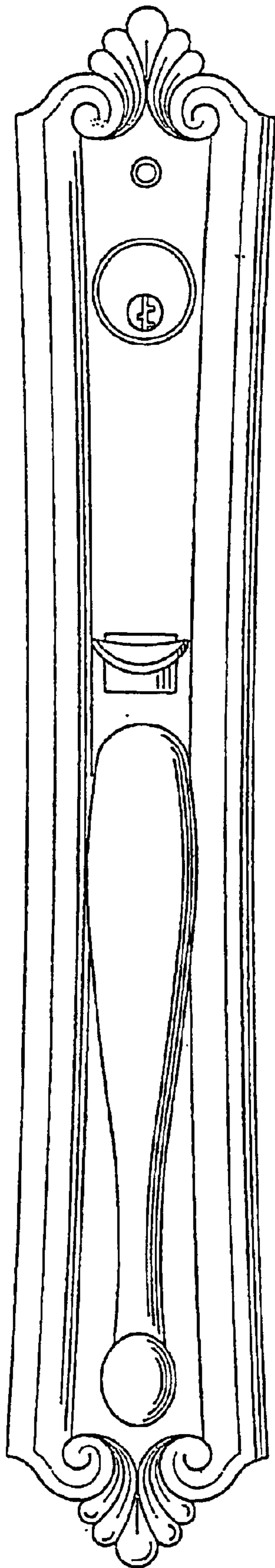


FIG. 2A

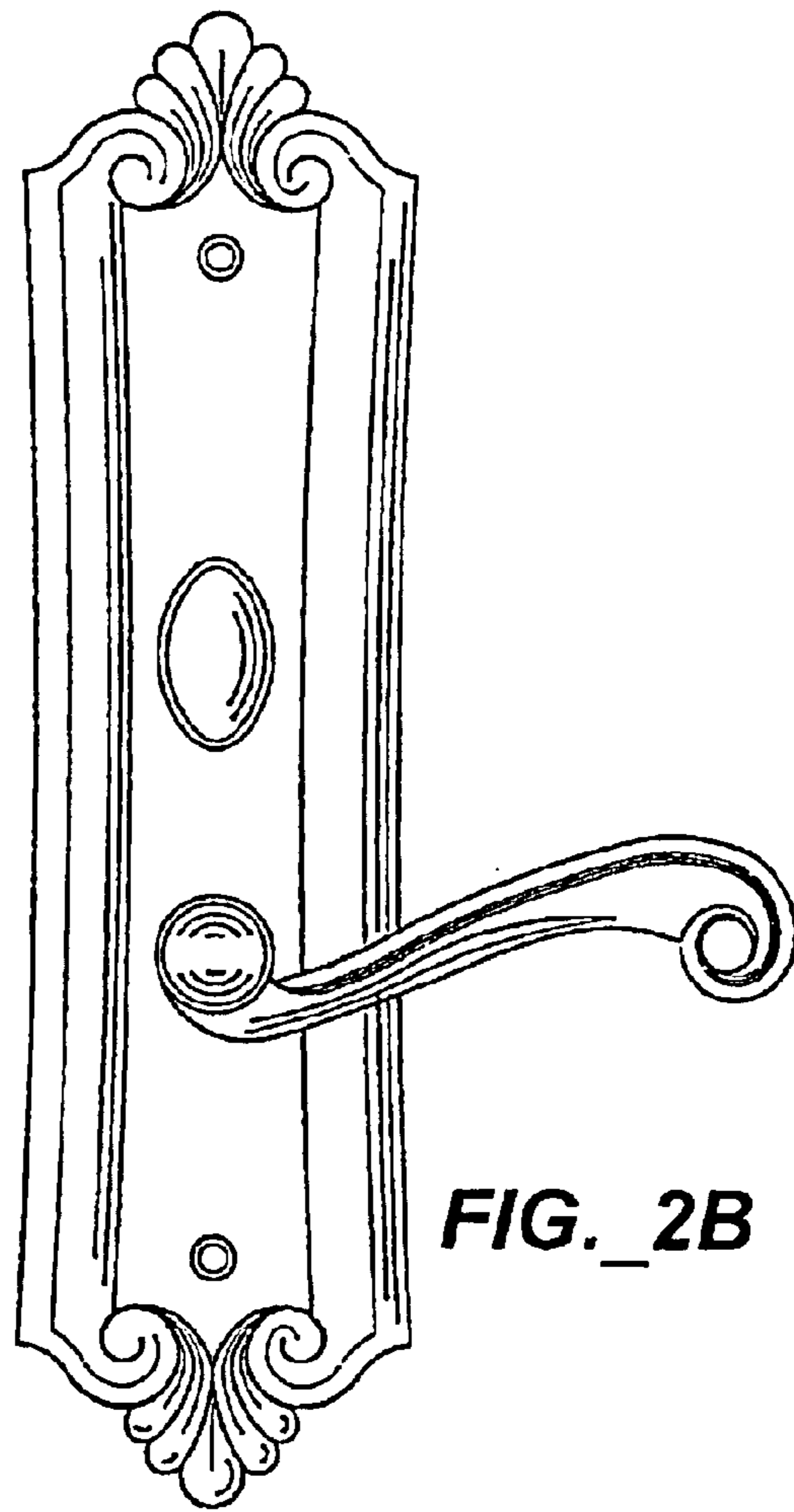
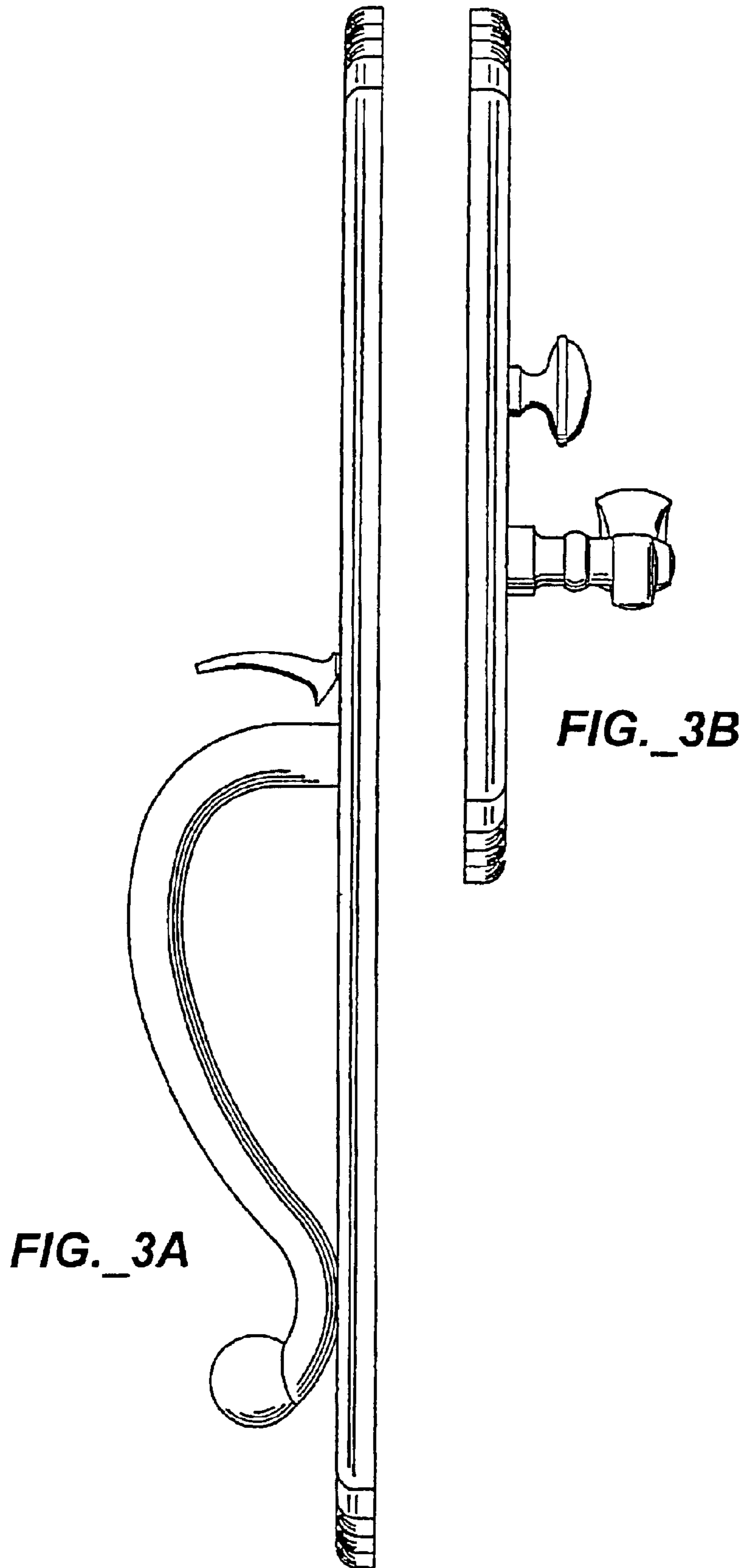
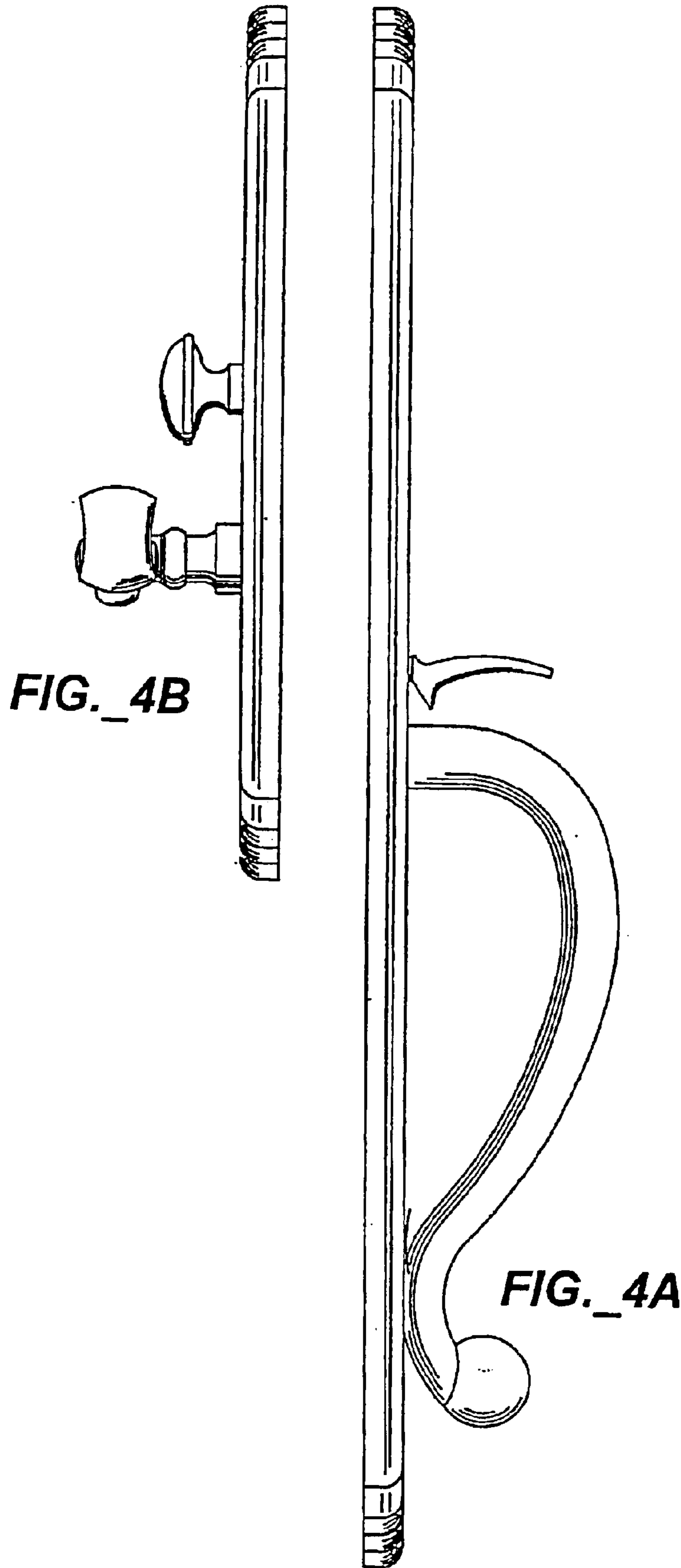


FIG. 2B





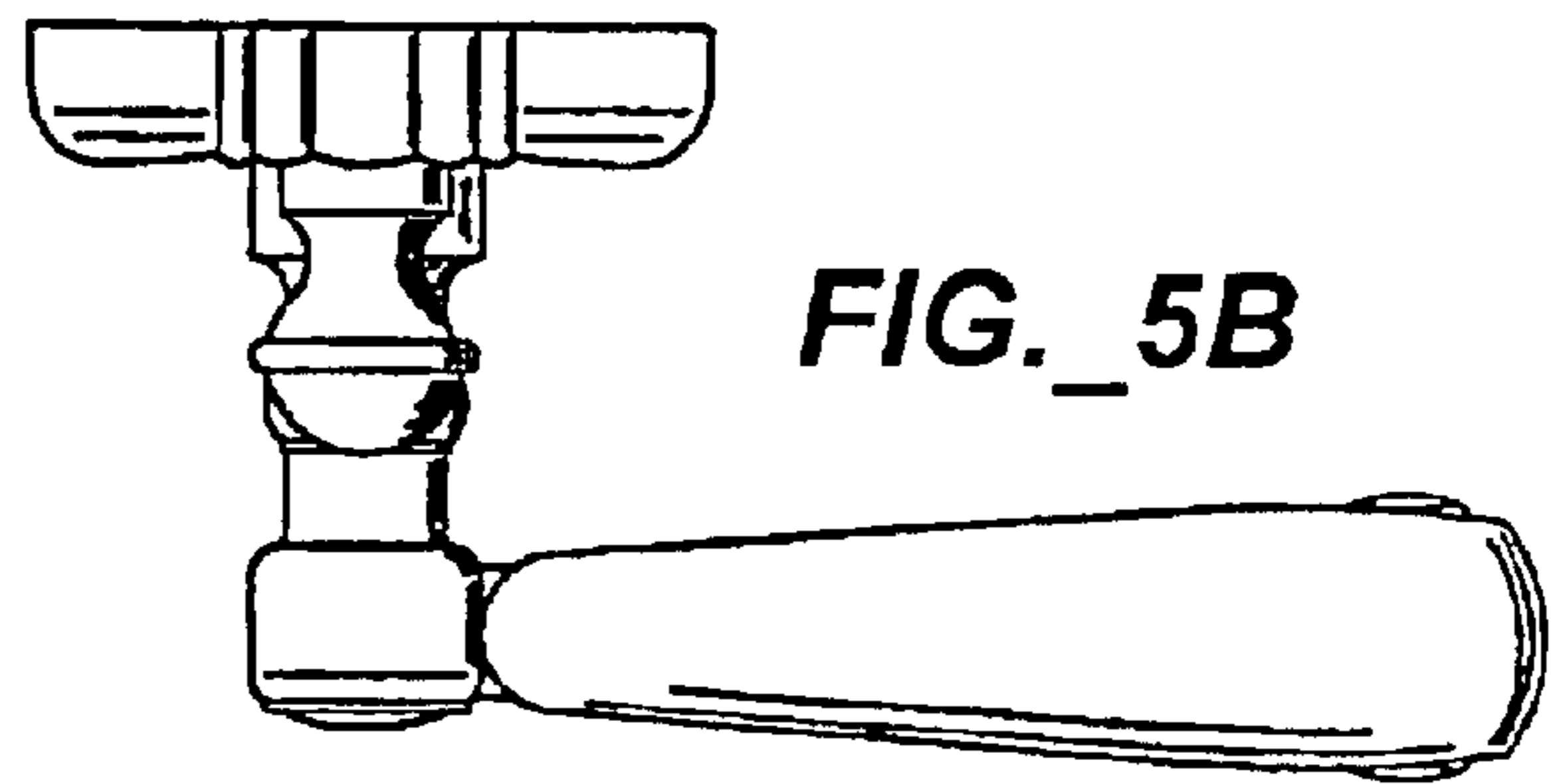
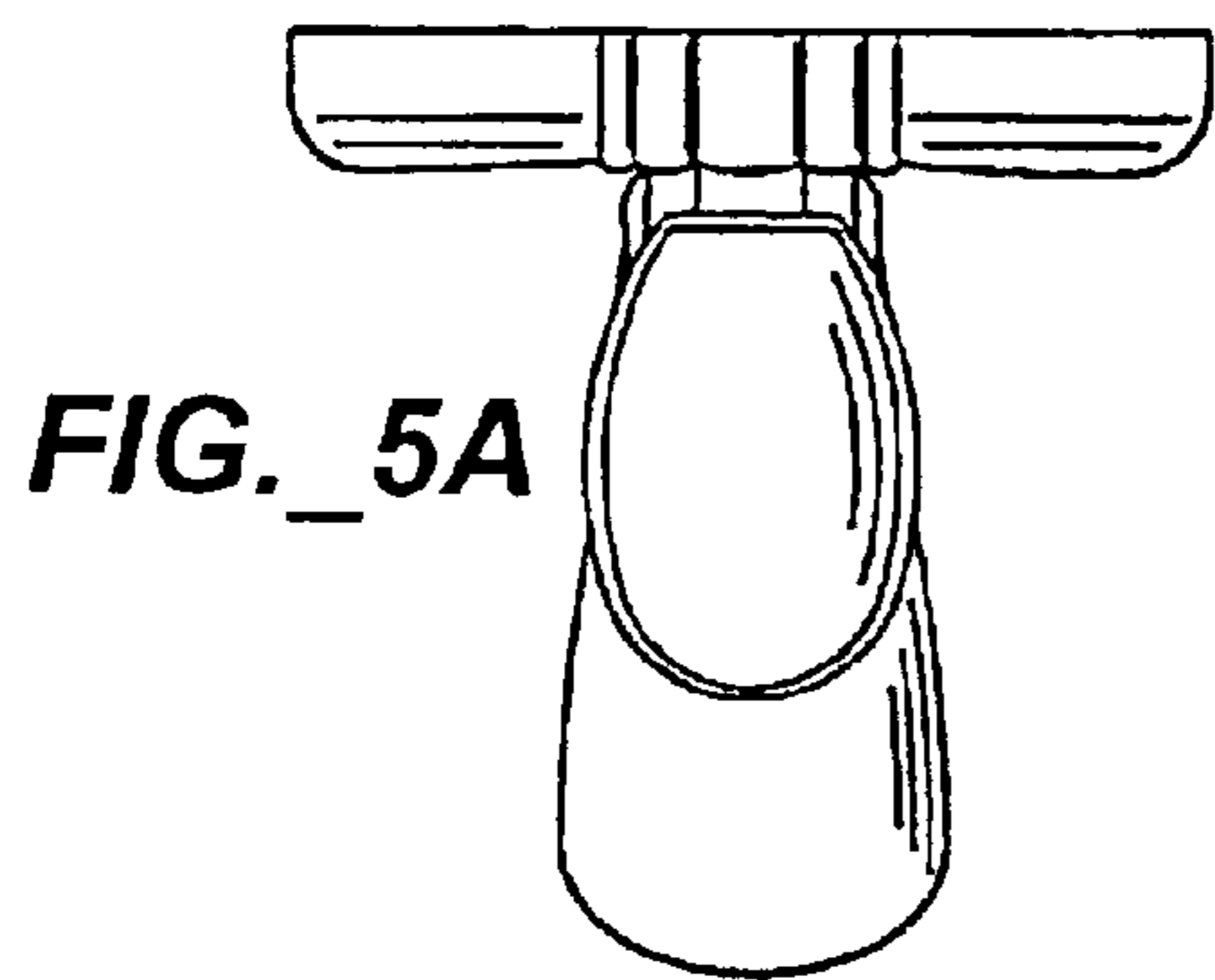


FIG._6A

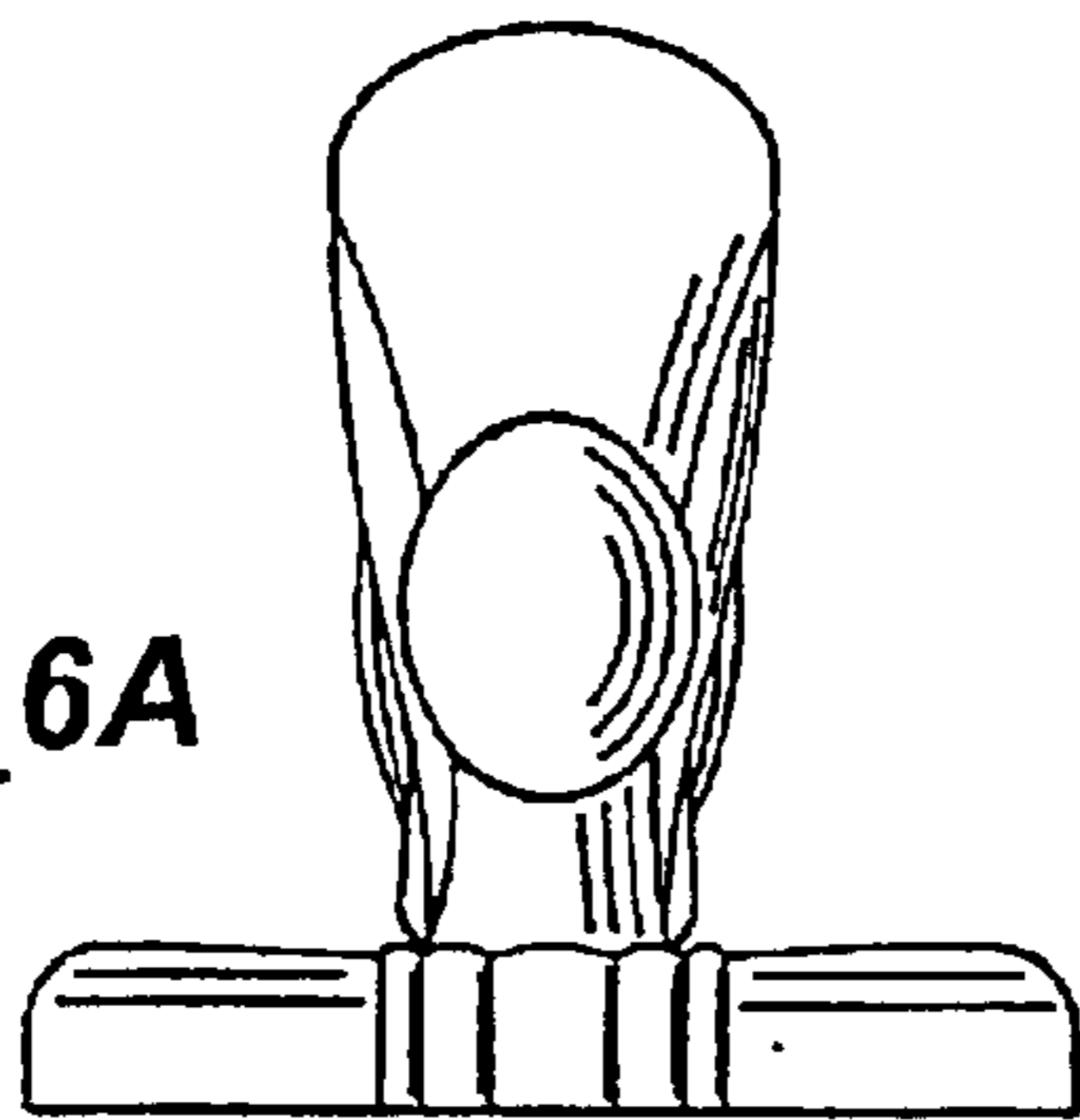


FIG._6B

