



US00D502083S

(12) **United States Design Patent** (10) **Patent No.:** **US D502,083 S**  
**Denoual** (45) **Date of Patent:** **\*\* Feb. 22, 2005**

(54) **DOOR HANDLESET**

(75) Inventor: **Thierry Denoual**, St. Gabriel Brecy (FR)

(73) Assignee: **Studio 1884 sarl**, Flers (FR)

(\*\*) Term: **14 Years**

(21) Appl. No.: **29/191,544**

(22) Filed: **Oct. 8, 2003**

(51) **LOC (7) Cl.** ..... **08-06**

(52) **U.S. Cl.** ..... **D8/302**

(58) **Field of Search** ..... D8/301-302, 308, D8/310, 350, 352, 353, 404, DIG. 2; D23/250-257; D16/402, 412; 710/207, 209, 450, 452; 292/336.5, 347, 356, 357

(56) **References Cited**

**U.S. PATENT DOCUMENTS**

D173,848 S	*	1/1955	Ohno	.....	D8/350
D318,215 S	*	7/1991	Fleming	.....	D8/301
D362,380 S	*	9/1995	Ellis et al.	.....	D8/301
D362,609 S	*	9/1995	Ellis et al.	.....	D8/302
D378,984 S	*	4/1997	Carsello	.....	D8/308

\* cited by examiner

*Primary Examiner*—Paula A. Greene

(74) *Attorney, Agent, or Firm*—Craig M. Stainbrook; Larry D. Johnson; Johnson & Stainbrook, LLP

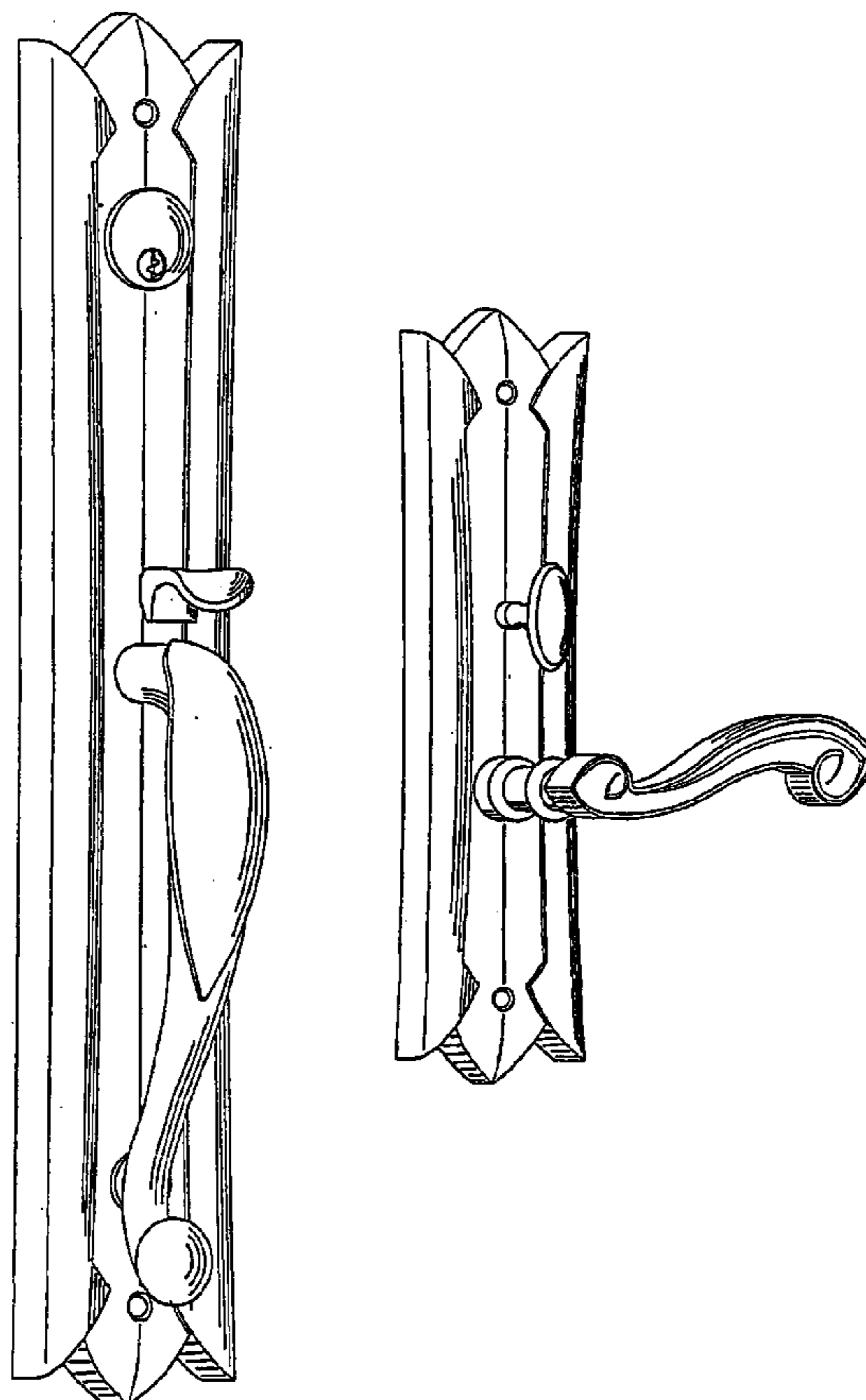
(57) **CLAIM**

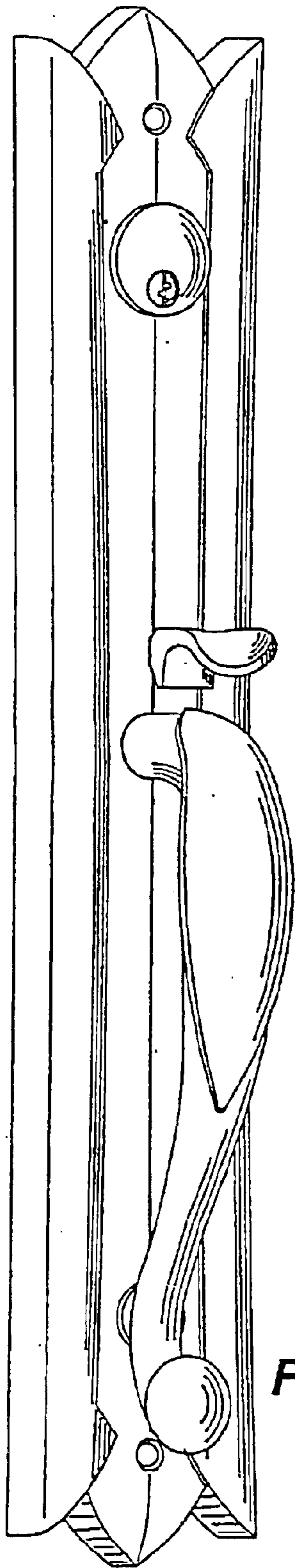
The ornamental design for a door handleset, as shown and described.

**DESCRIPTION**

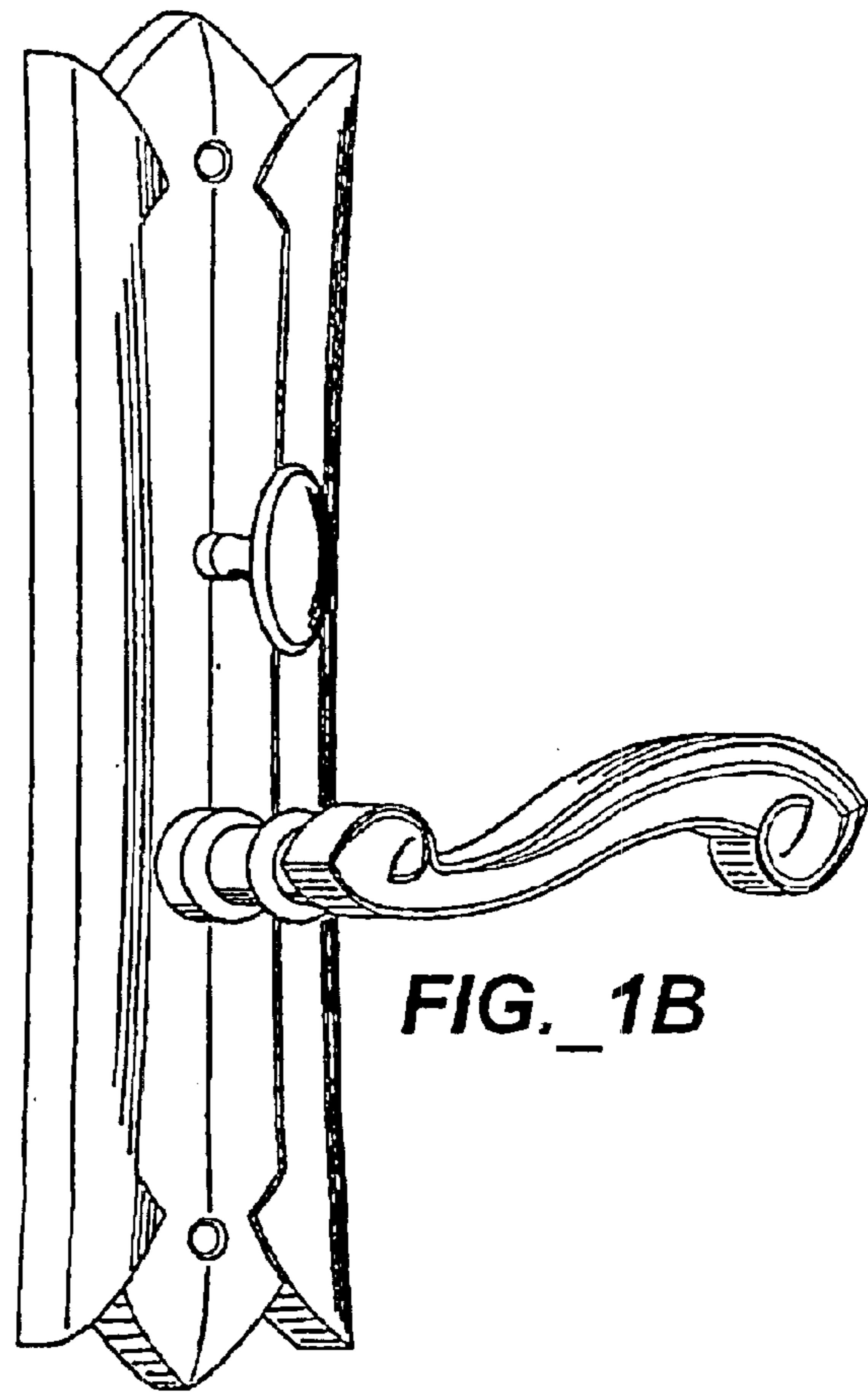
FIG. 1A is a perspective view of the exterior door handle of my new and ornamental design for a door handleset;  
 FIG. 1B is a perspective view of the interior door handle of the door handleset;  
 FIG. 2A is a front elevation view of the exterior door handle, the rear being unornamented;  
 FIG. 2B is a front elevation view of the interior door handle, the rear being unornamented;  
 FIG. 3A is a right side elevation view of the exterior door handle;  
 FIG. 3B is a left side elevation view of the interior door handle;  
 FIG. 4A is a left side elevation view of the exterior door handle;  
 FIG. 4B is a right side elevation view of the interior door handle;  
 FIG. 5A is a top view of the exterior door handle;  
 FIG. 5B is a top view of the interior door handle;  
 FIG. 6A is a bottom view of the exterior door handle; and,  
 FIG. 6B is a bottom view of the interior door handle.

**1 Claim, 6 Drawing Sheets**

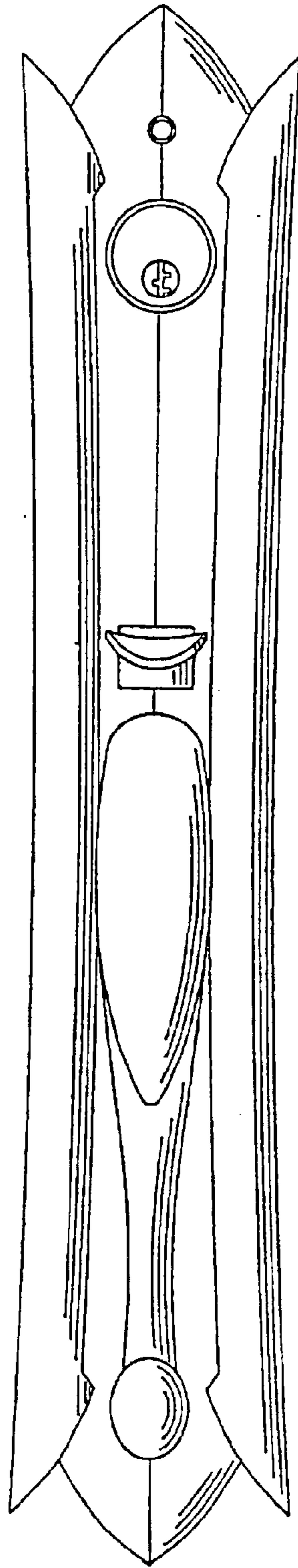




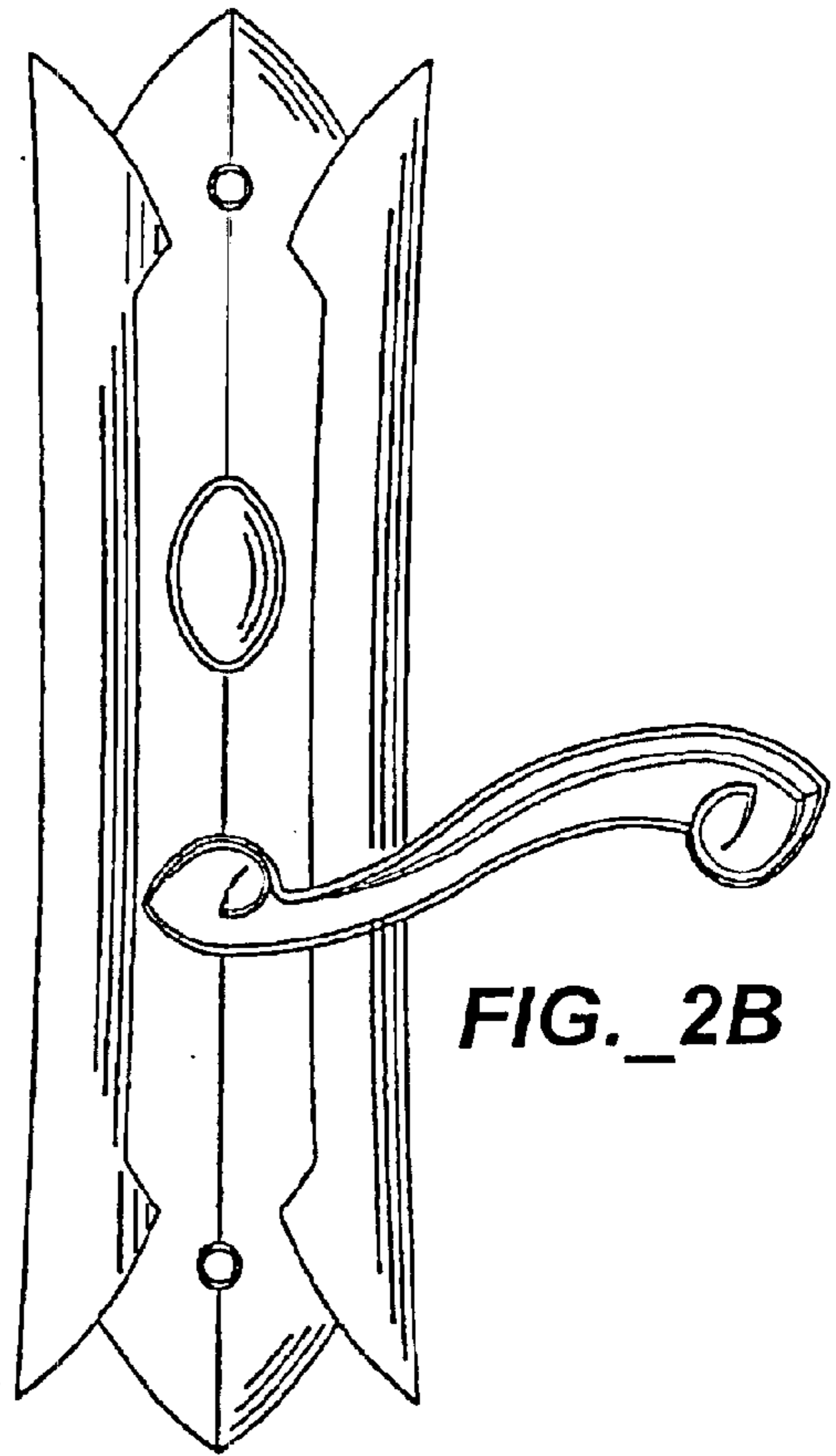
**FIG. 1A**



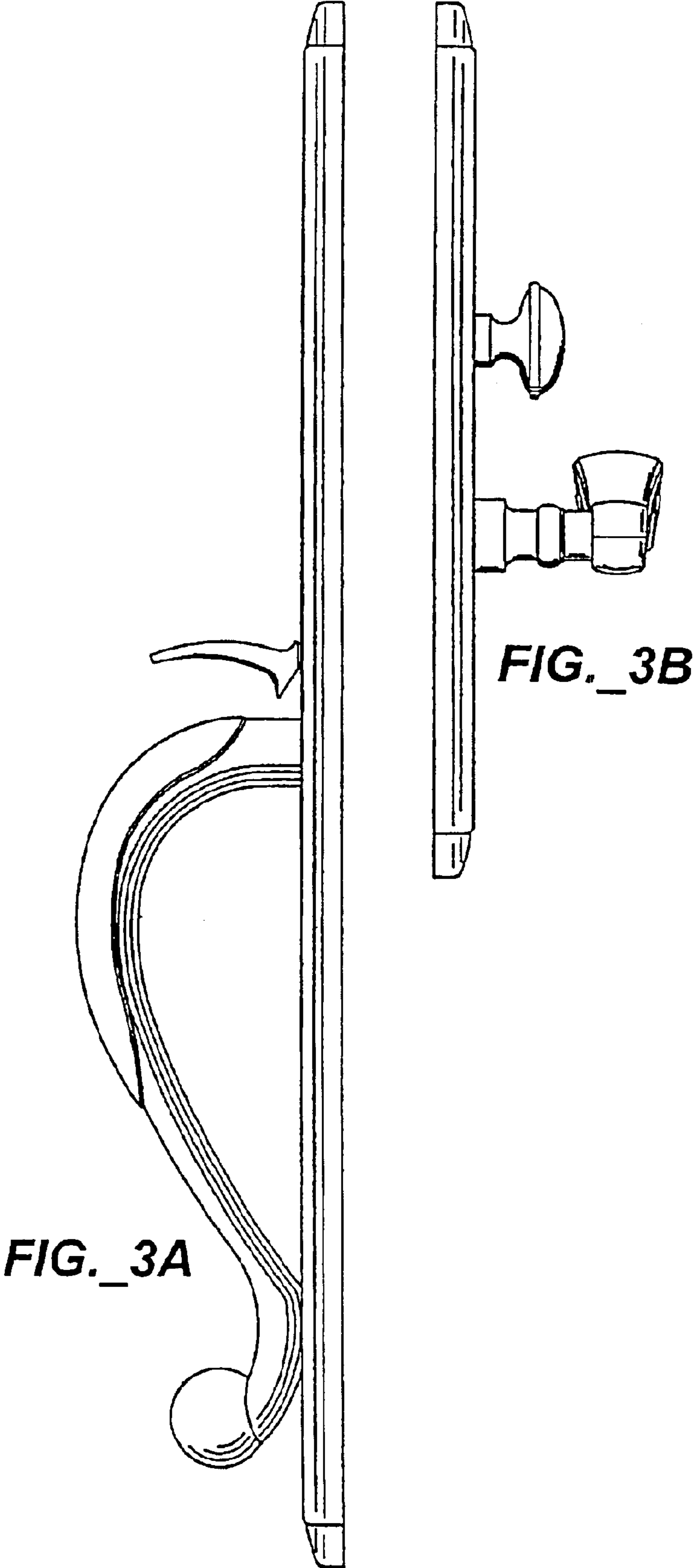
**FIG. 1B**

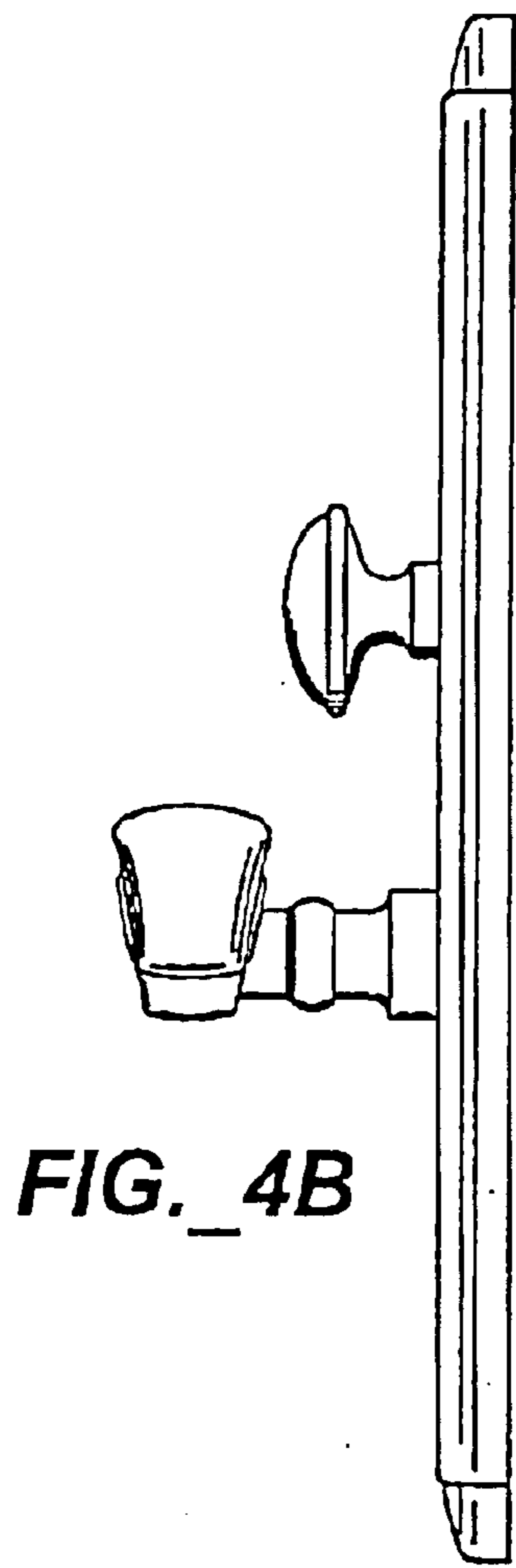


**FIG.\_2A**

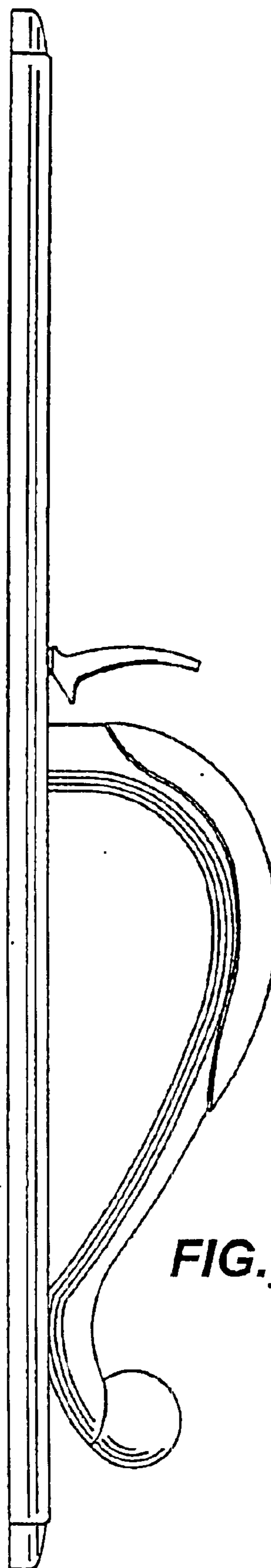


**FIG.\_2B**

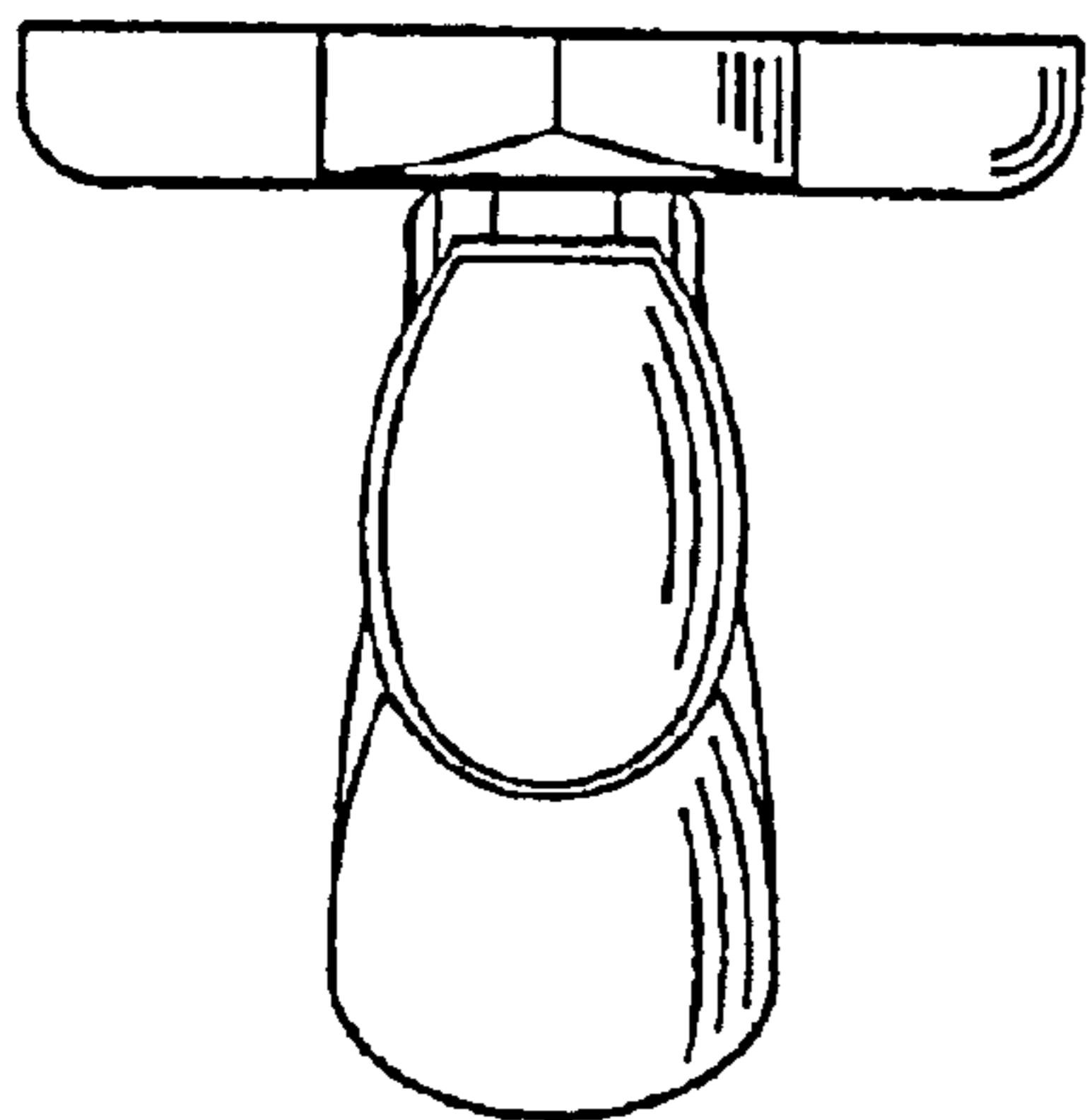




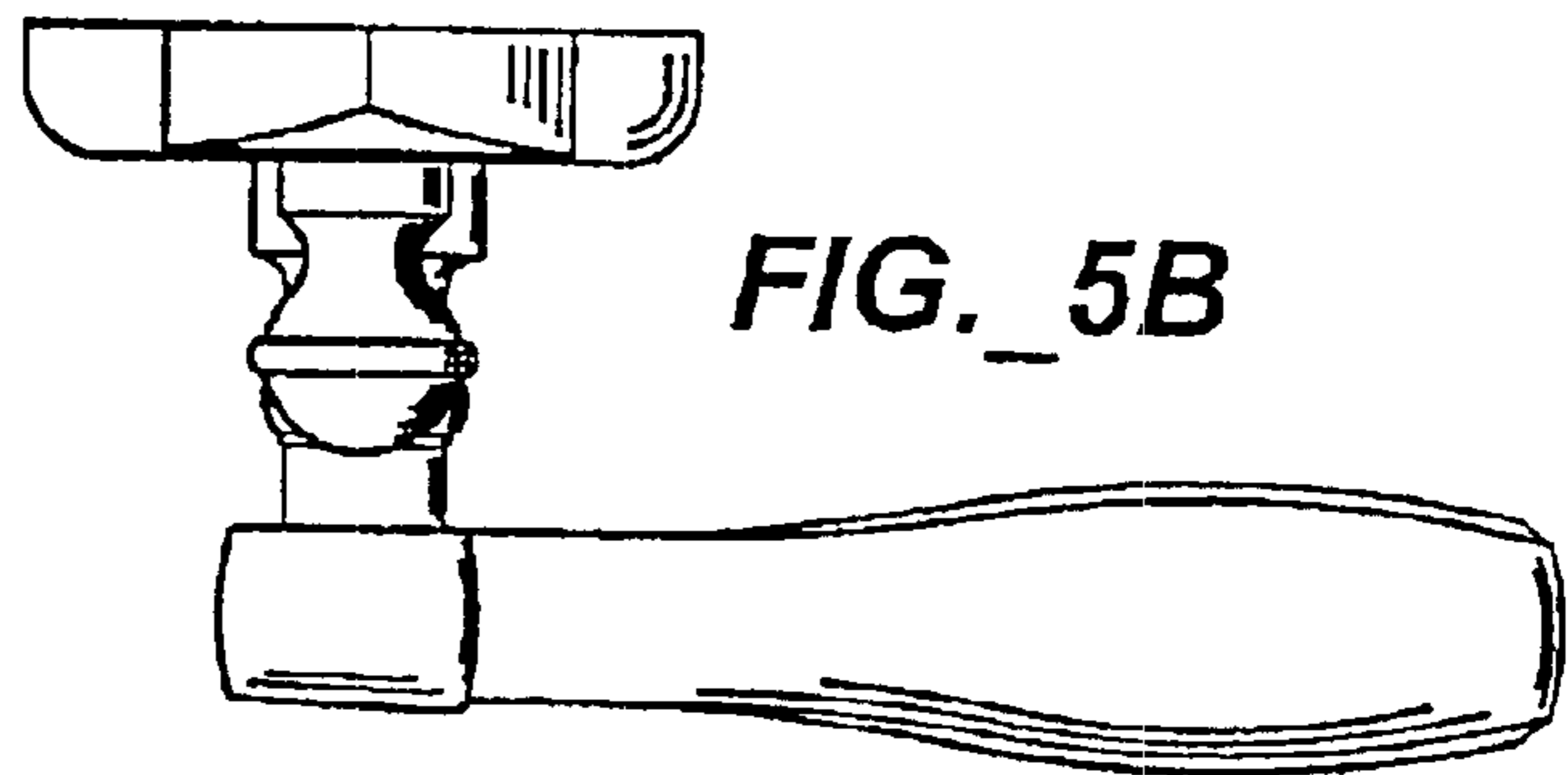
**FIG. 4B**



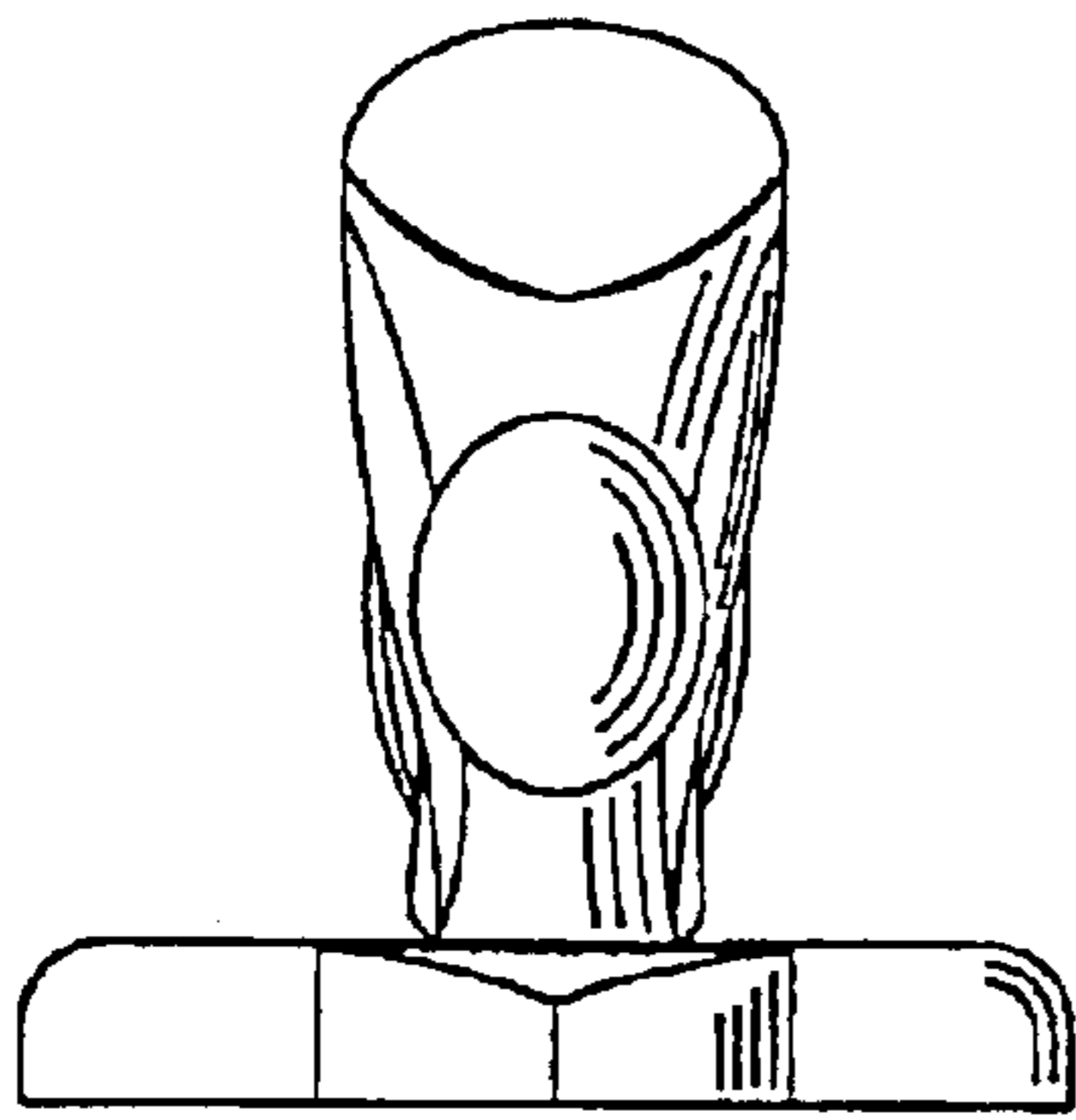
**FIG. 4A**



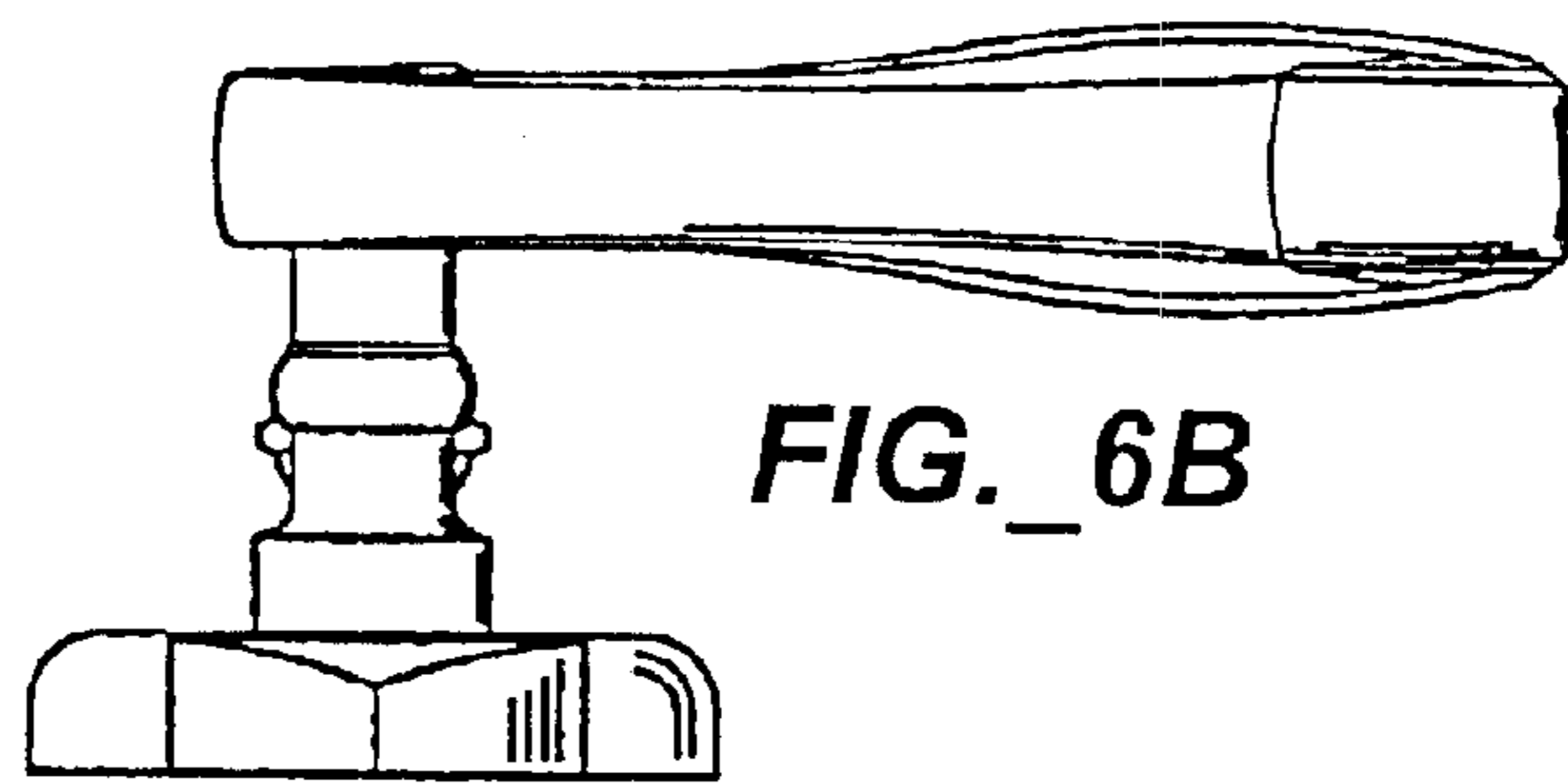
**FIG. 5A**



**FIG. 5B**



**FIG.\_6A**



**FIG.\_6B**