



US00D502082S

(12) **United States Design Patent**
Denoual

(10) **Patent No.:** **US D502,082 S**

(45) **Date of Patent:** **** Feb. 22, 2005**

(54) **DOOR HANDLESET**

D318,215 S * 7/1991 Fleming D8/301
D435,972 S * 1/2001 Moore D6/323

(75) **Inventor:** **Thierry Denoual**, St. Gabriel Brecy
(FR)

* cited by examiner

(73) **Assignee:** **Studio 1884 sarl**, Flers (FR)

Primary Examiner—Paula A. Greene
(74) *Attorney, Agent, or Firm*—Craig M. Stainbrook; Larry
D. Johnson; Johnson & Stainbrook, LLP

(**) **Term:** **14 Years**

(57) **CLAIM**

(21) **Appl. No.:** **29/191,246**

The ornamental design for a door handleset, as shown and
described.

(22) **Filed:** **Oct. 3, 2003**

(51) **LOC (7) Cl.** **08-06**

(52) **U.S. Cl.** **D8/301**

(58) **Field of Search** D8/300–302, 315–320,
D8/350–353; D23/254; 292/336.3, 347,
357; 16/402, 412; D6/323

DESCRIPTION

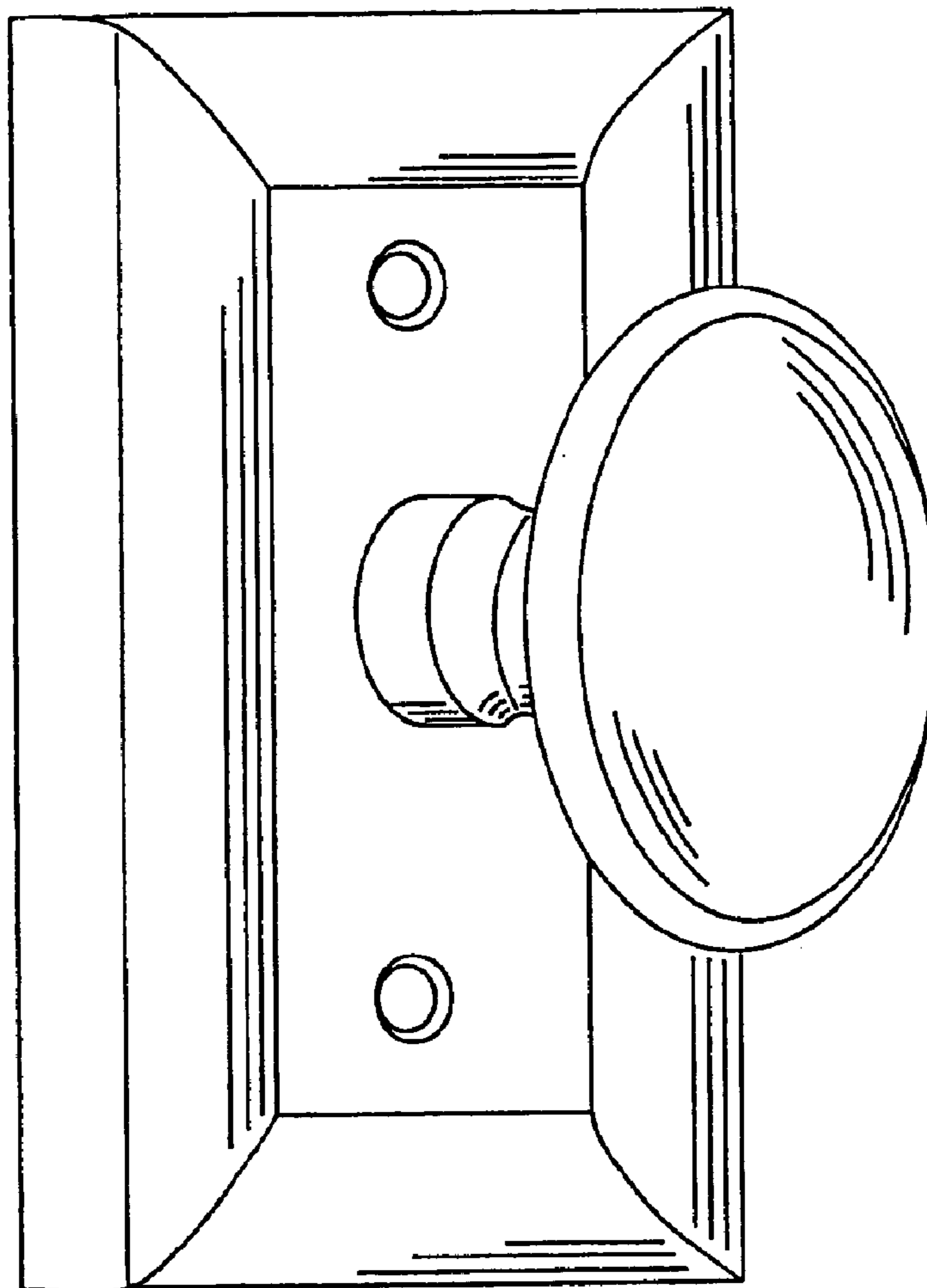
FIG. 1 is a perspective view of a door handleset showing my
new design;
FIG. 2 is a front elevation view thereof, the rear being
unornamented;
FIG. 3 is a right side elevation view thereof;
FIG. 4 is a left side elevation view thereof;
FIG. 5 is a top plan view thereof; and,
FIG. 6 is a bottom plan view thereof.

(56) **References Cited**

U.S. PATENT DOCUMENTS

D48,362 S * 1/1916 Bosworth D8/310
D169,574 S * 5/1953 Bordner D8/353
3,075,796 A * 1/1963 Russell, Jr. et al. 292/336.3

1 Claim, 6 Drawing Sheets



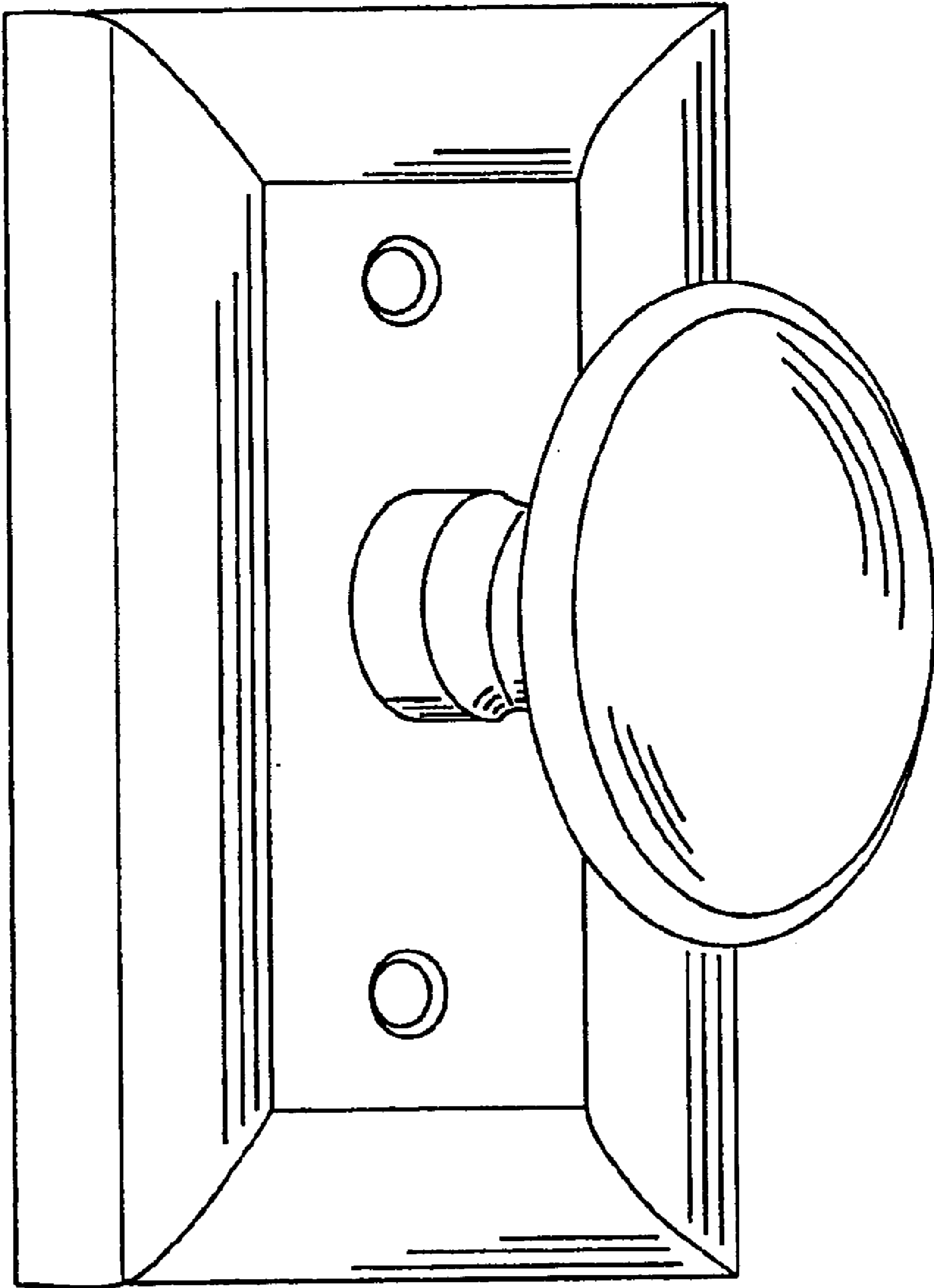


Fig-1

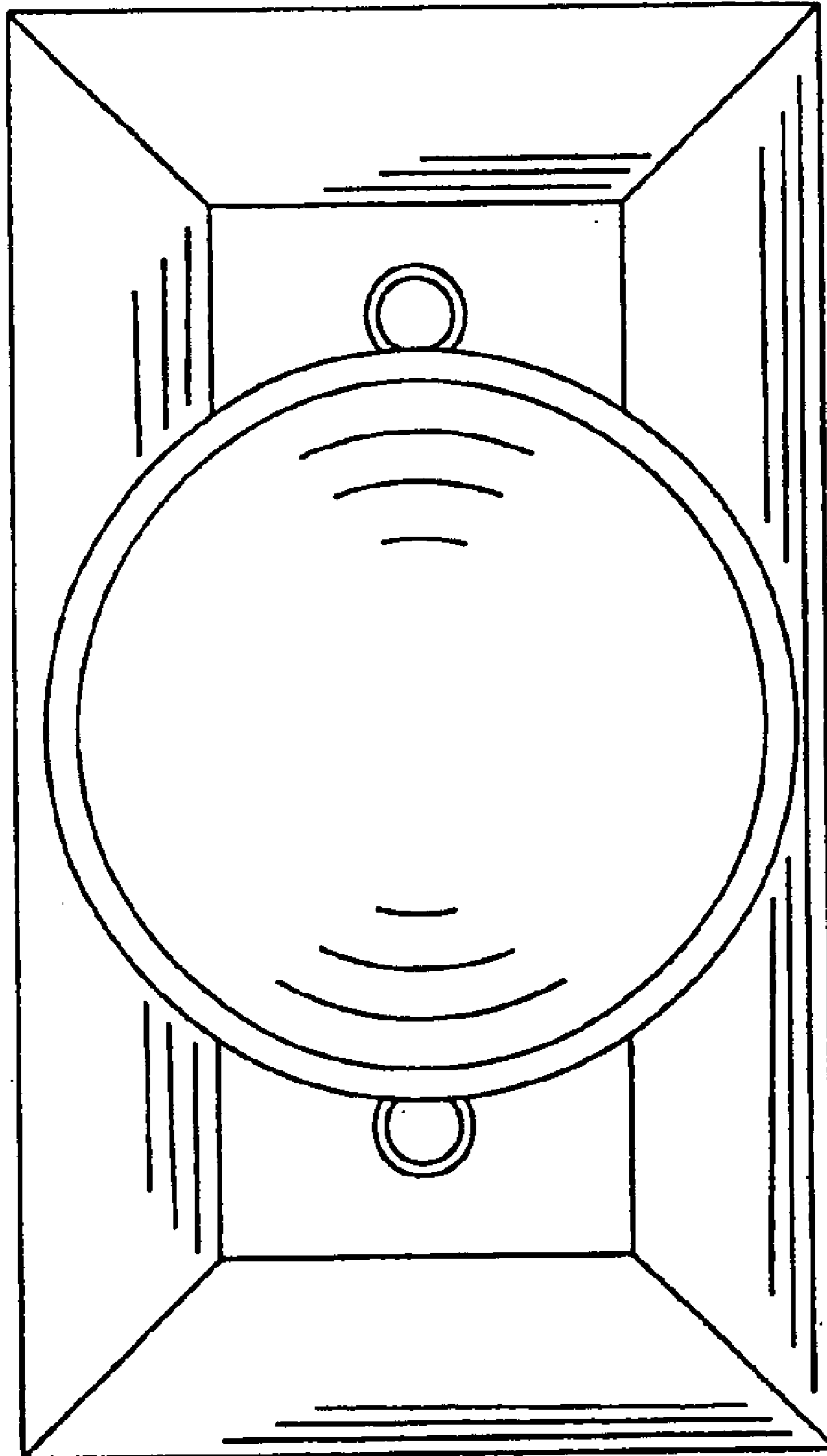


Fig-2

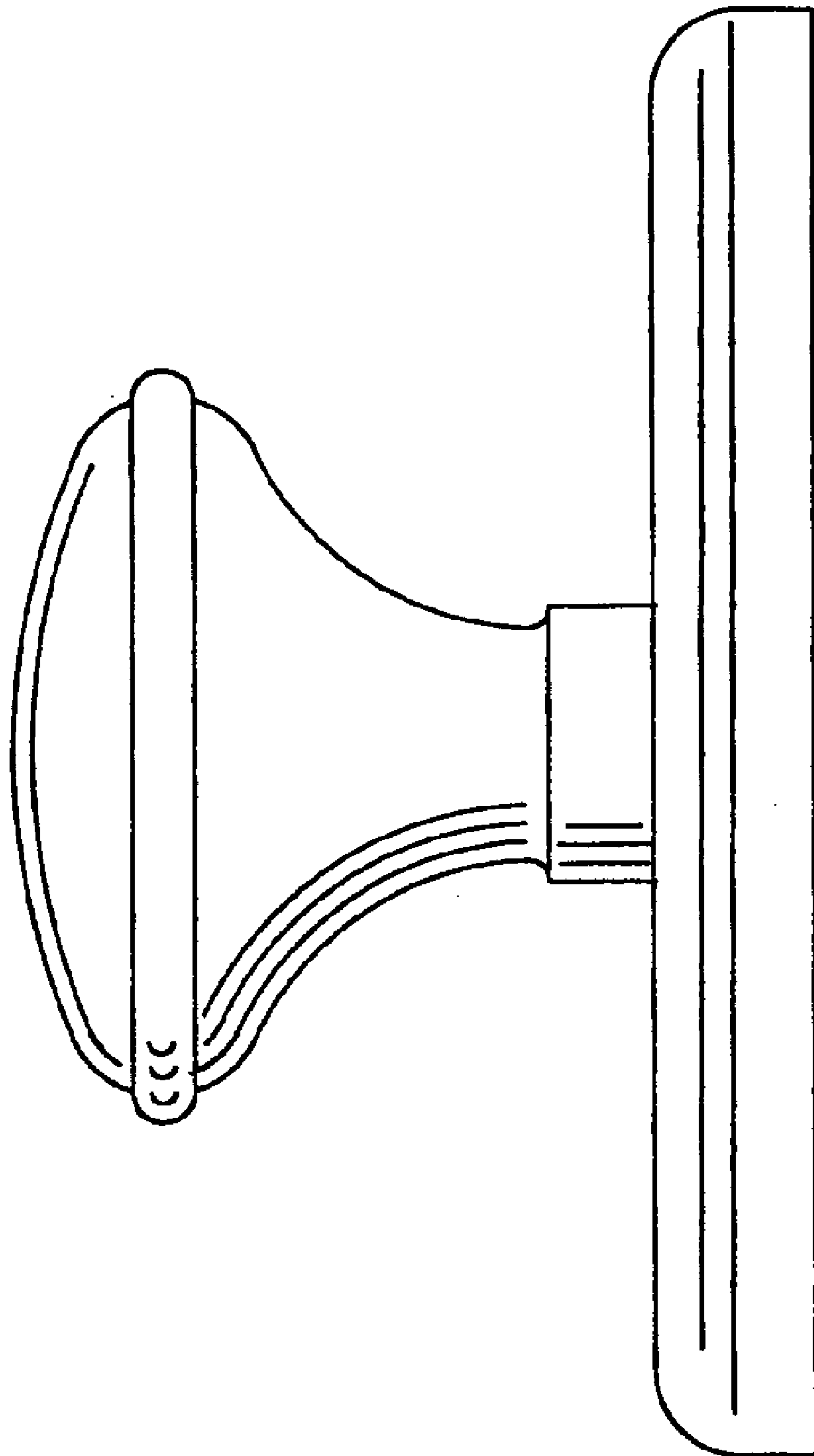


Fig-3

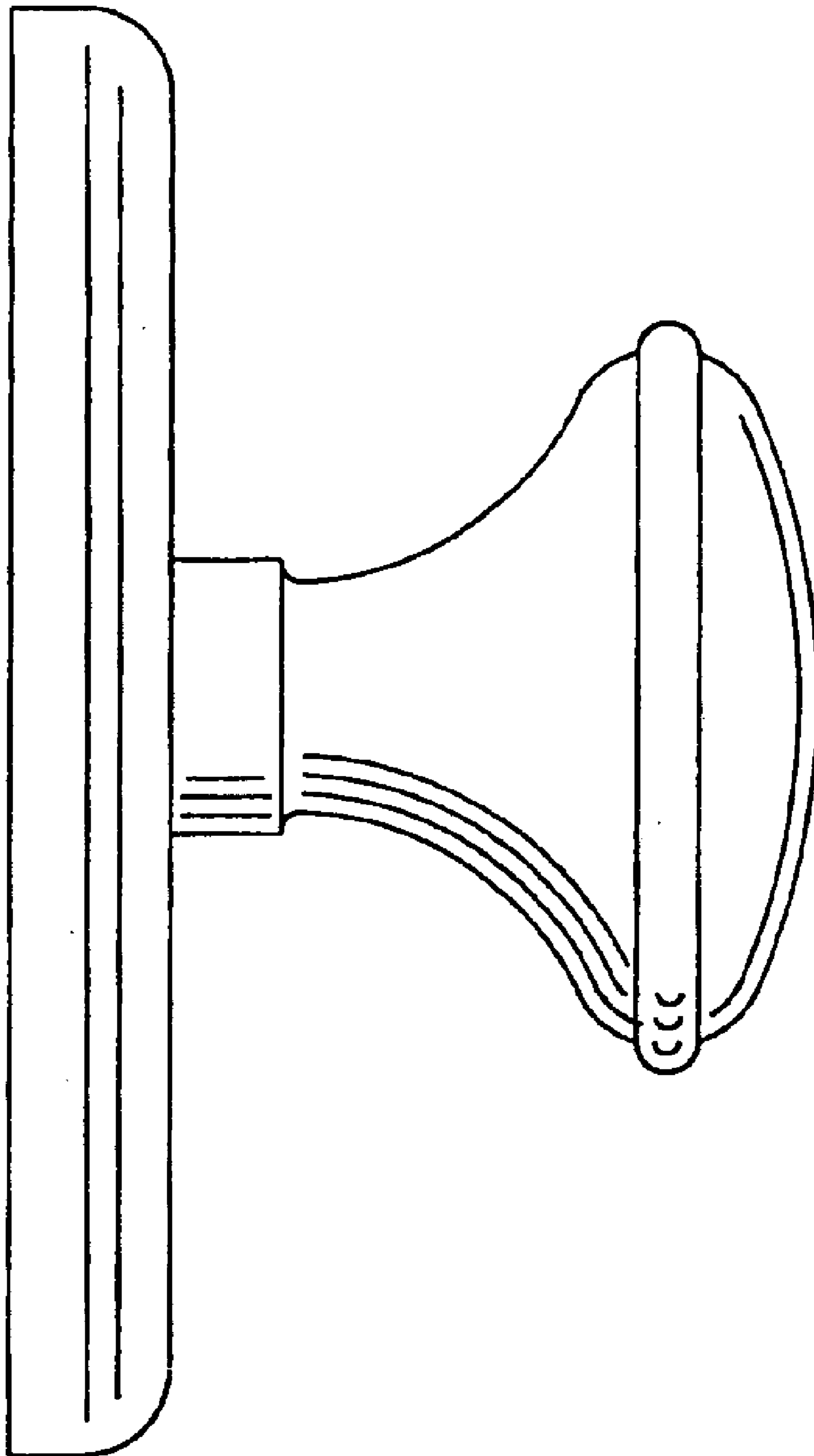


Fig-4

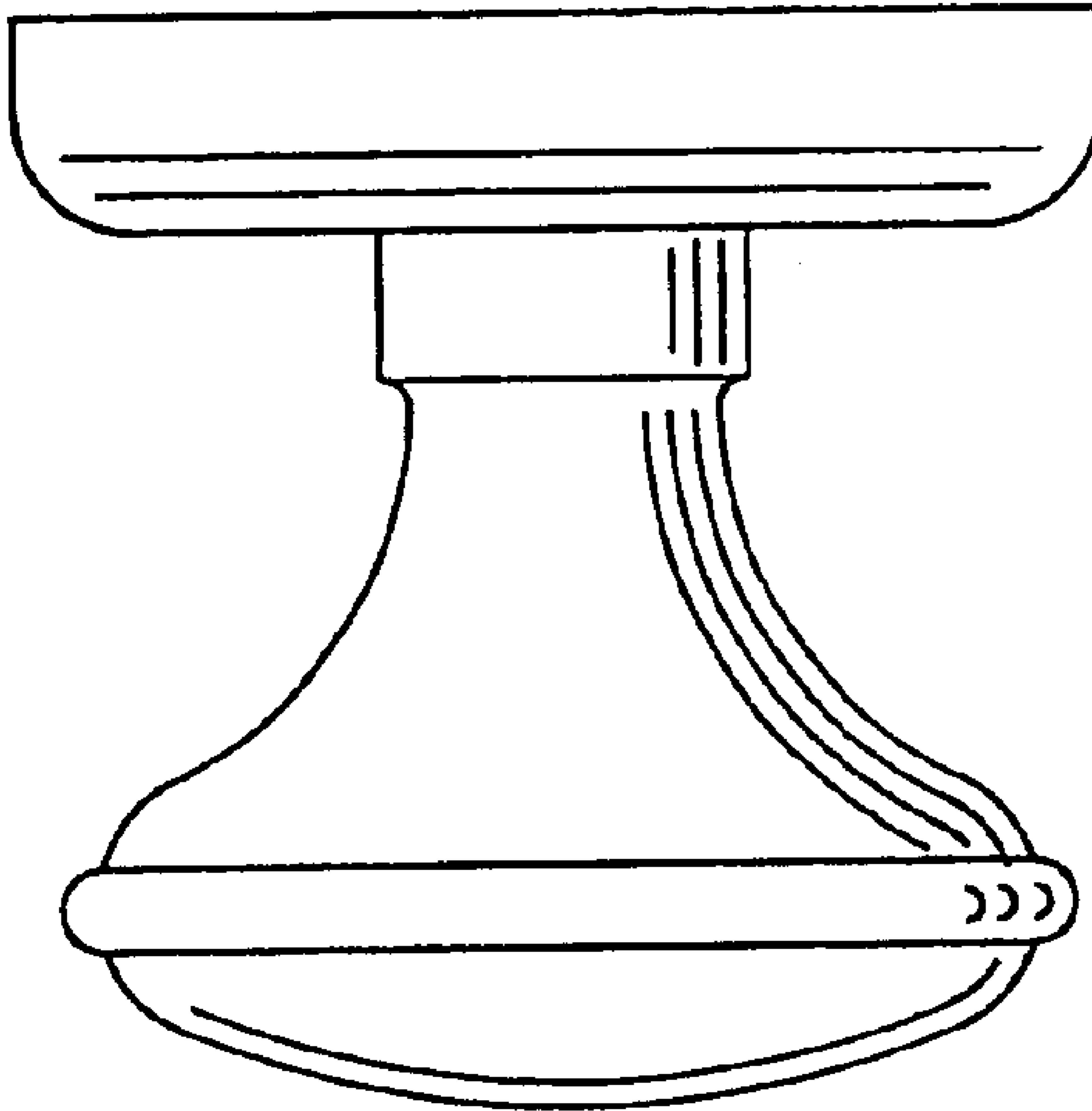


Fig-5

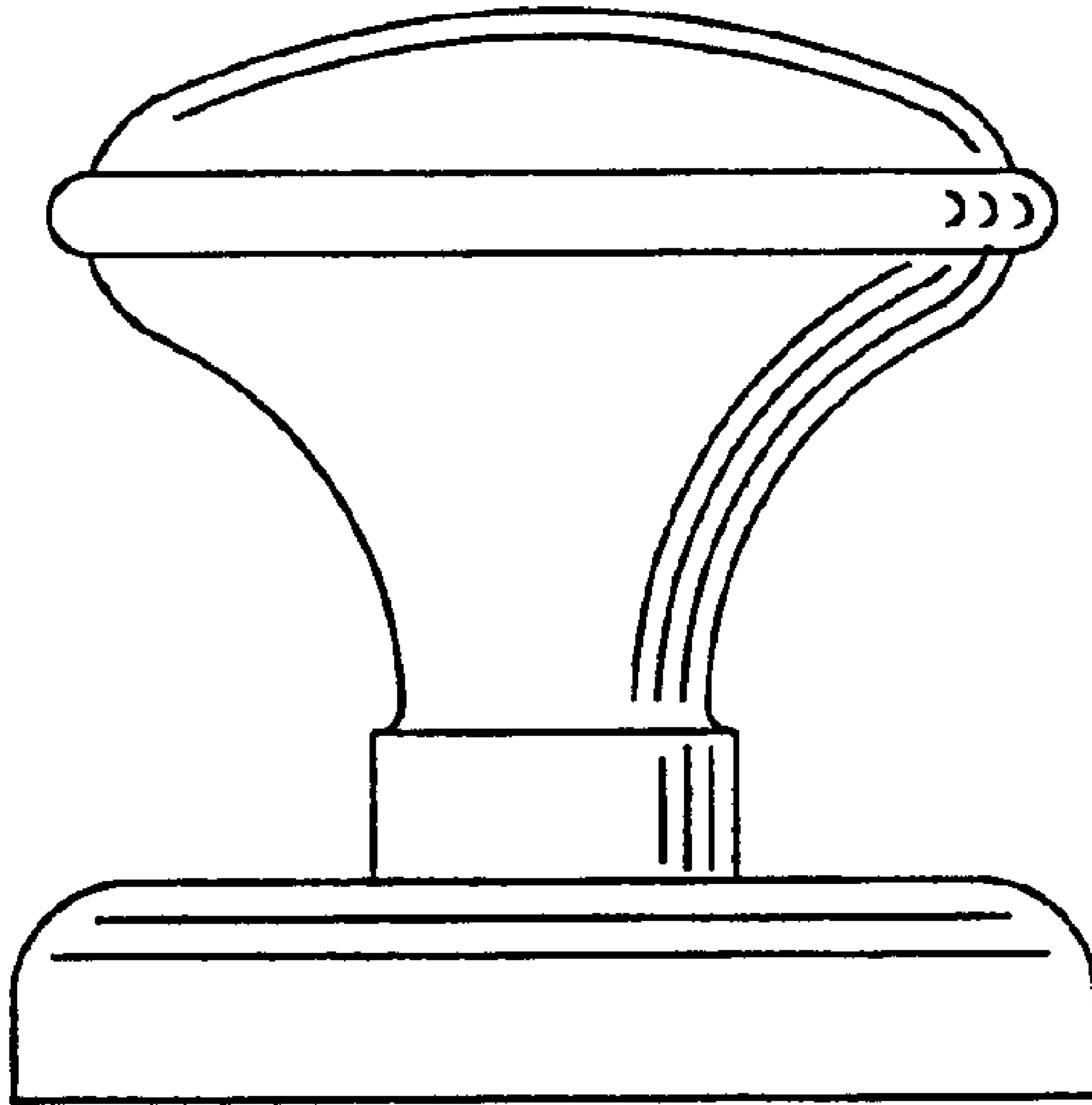


Fig-6