



US00D502081S

(12) **United States Design Patent**
Denoual

(10) **Patent No.:** **US D502,081 S**

(45) **Date of Patent:** **** Feb. 22, 2005**

(54) **DOOR HANDLESET**

(75) **Inventor:** **Thierry Denoual**, St. Gabriel Brecy (FR)

(73) **Assignee:** **Studio 1884 sarl**, Flers (FR)

(**) **Term:** **14 Years**

(21) **Appl. No.:** **29/191,226**

(22) **Filed:** **Oct. 3, 2003**

(51) **LOC (7) Cl.** **08-06**

(52) **U.S. Cl.** **D8/301**

(58) **Field of Search** D8/300, 301, 302,
D8/308, 350, 352, 353, 404; 16/402, 412;
70/207, 209, 450, 452; 292/336.5, 347,
356, 357; D23/250, 257

(56) **References Cited**

U.S. PATENT DOCUMENTS

- D24,971 S * 12/1895 Tyson D8/404
- D38,940 S * 12/1907 Schoonmaker D8/350
- D261,857 S * 11/1981 Valli D8/301

- D318,215 S * 7/1991 Fleming D8/301
- D362,380 S * 9/1995 Ellis et al. D8/301
- D363,204 S * 10/1995 Ellis et al. D8/301
- D378,984 S * 4/1997 Carsello D8/308

* cited by examiner

Primary Examiner—Paula A. Greene

(74) *Attorney, Agent, or Firm*—Craig M. Stainbrook; Larry D. Johnson; Johnson & Stainbrook, LLP

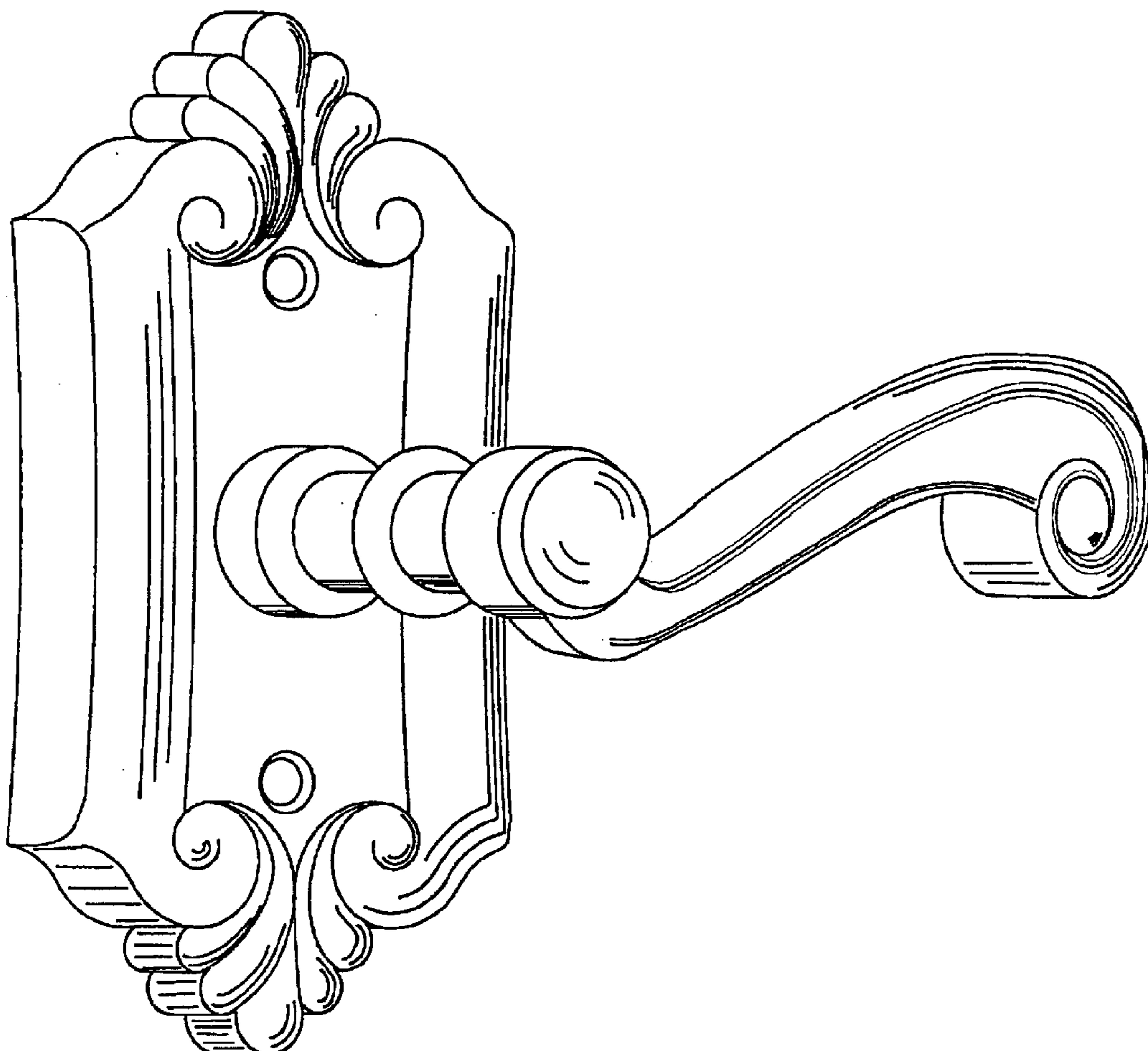
(57) **CLAIM**

The ornamental design for a door handleset, as shown and described.

DESCRIPTION

FIG. 1 is a perspective view of a door handleset showing my new design;
 FIG. 2 is a front elevation view thereof, the rear being unornamented;
 FIG. 3 is a right side elevation view thereof;
 FIG. 4 is a left side elevation view thereof;
 FIG. 5 is a top plan view thereof; and,
 FIG. 6 is a bottom plan view thereof.

1 Claim, 6 Drawing Sheets



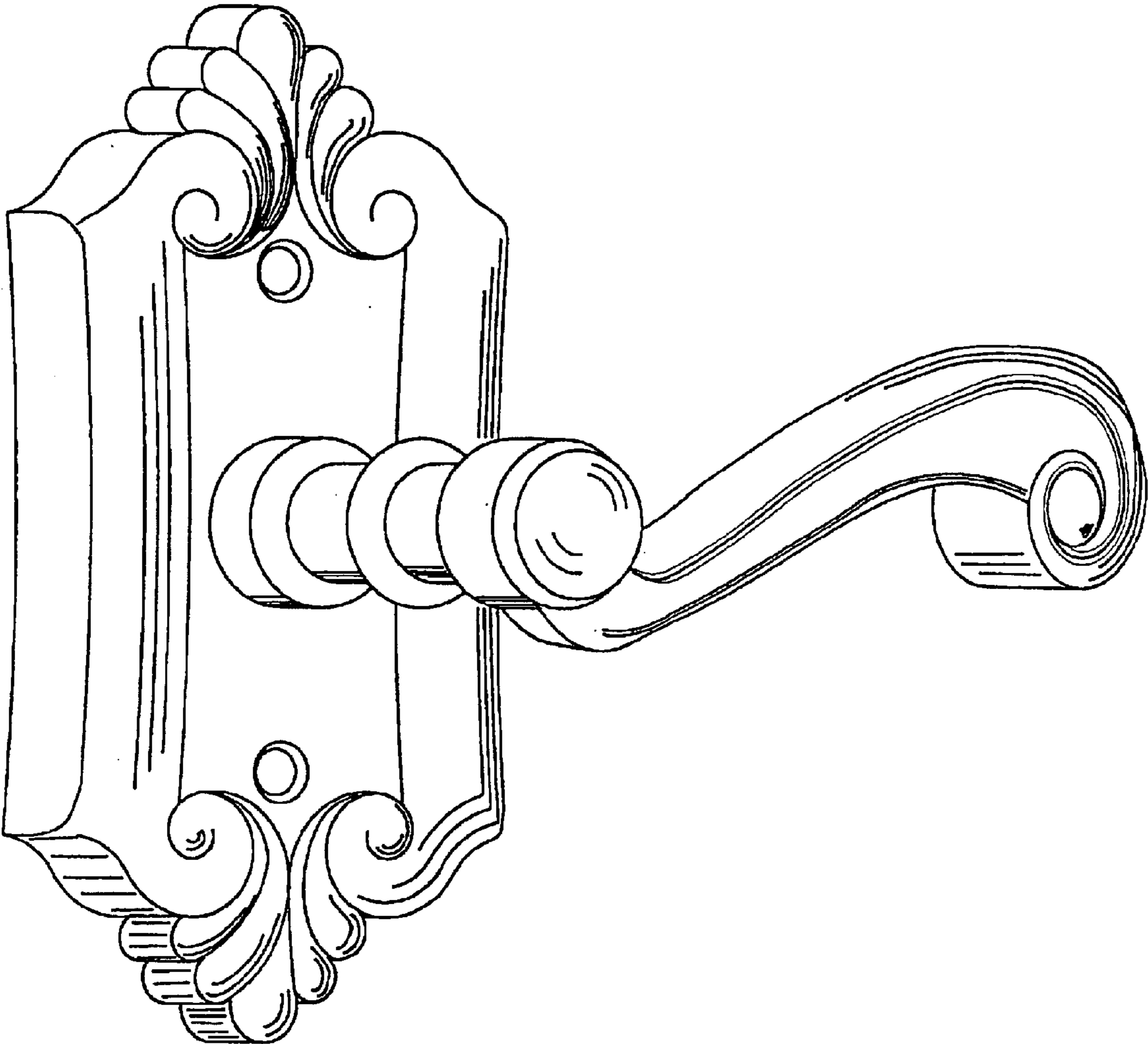


Fig-1

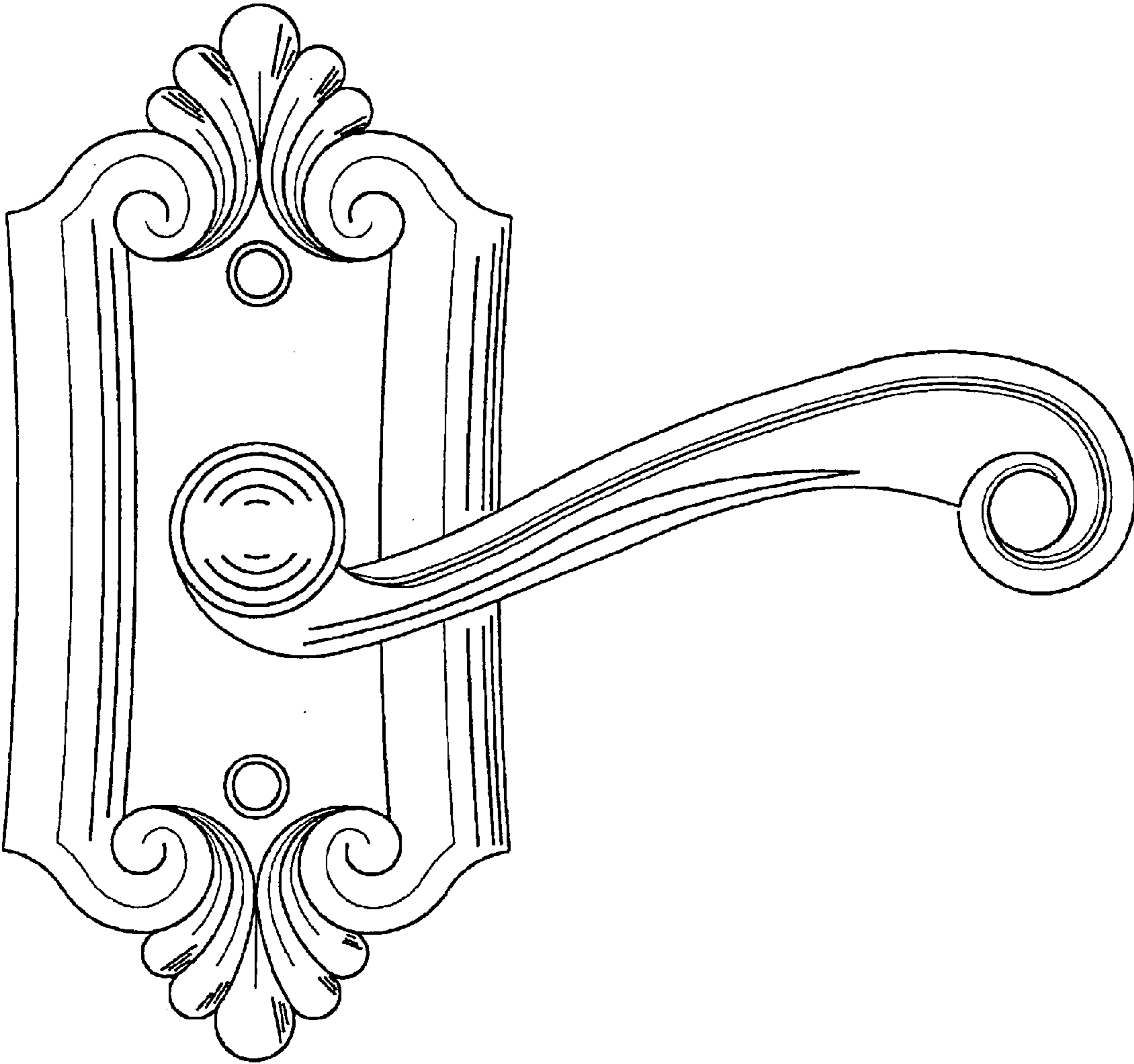


Fig-2

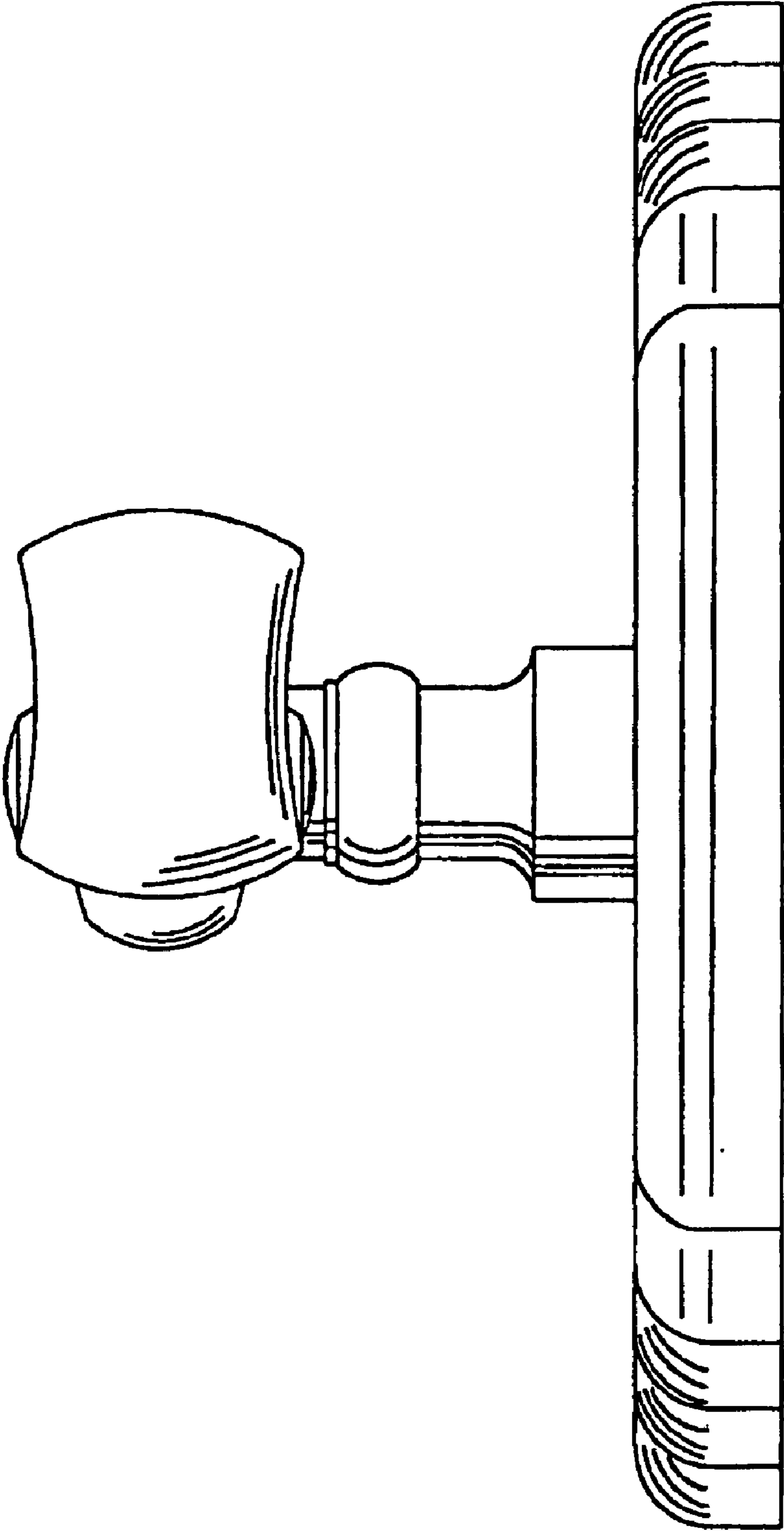


Fig-3

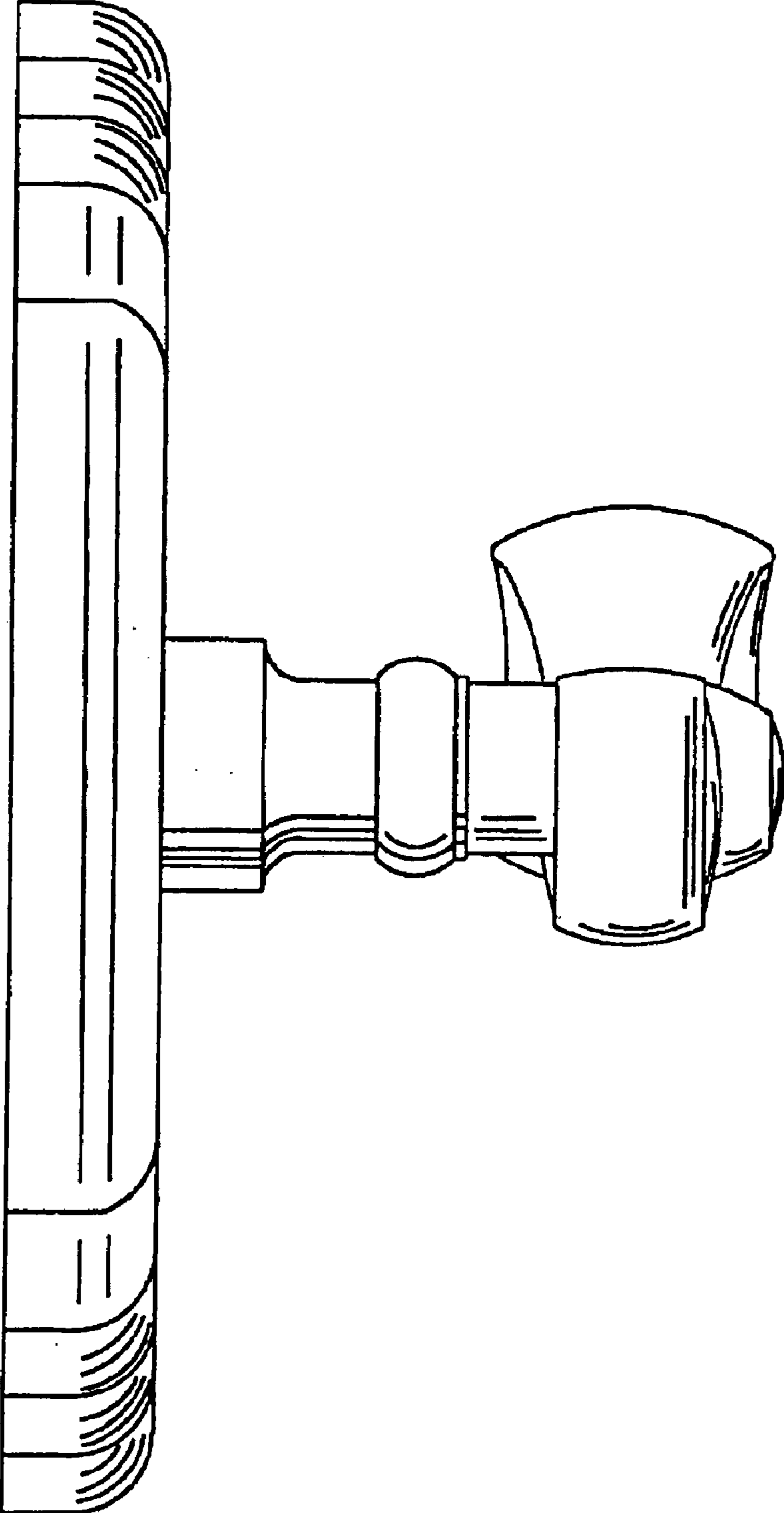


Fig-4

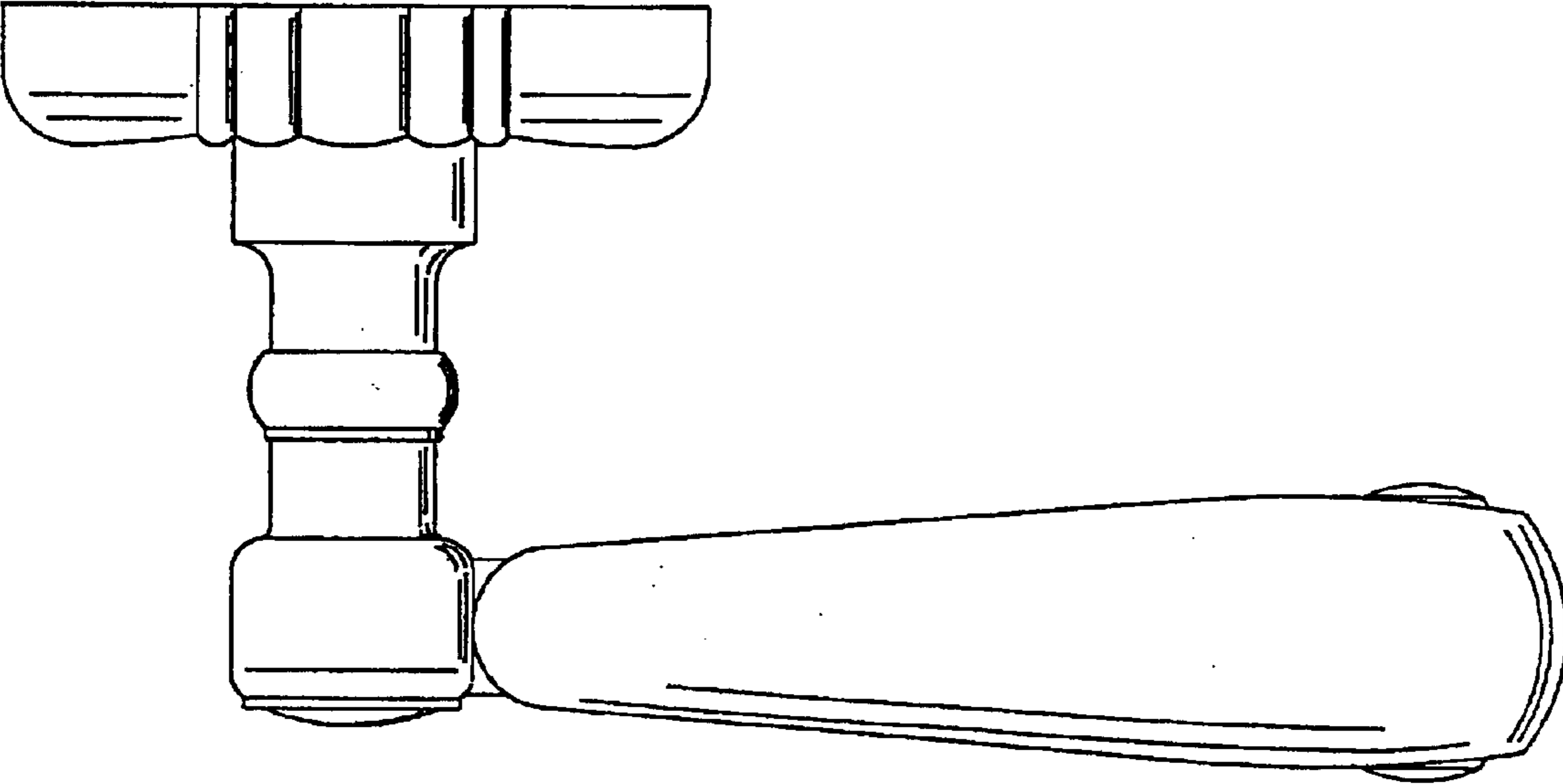


Fig-5

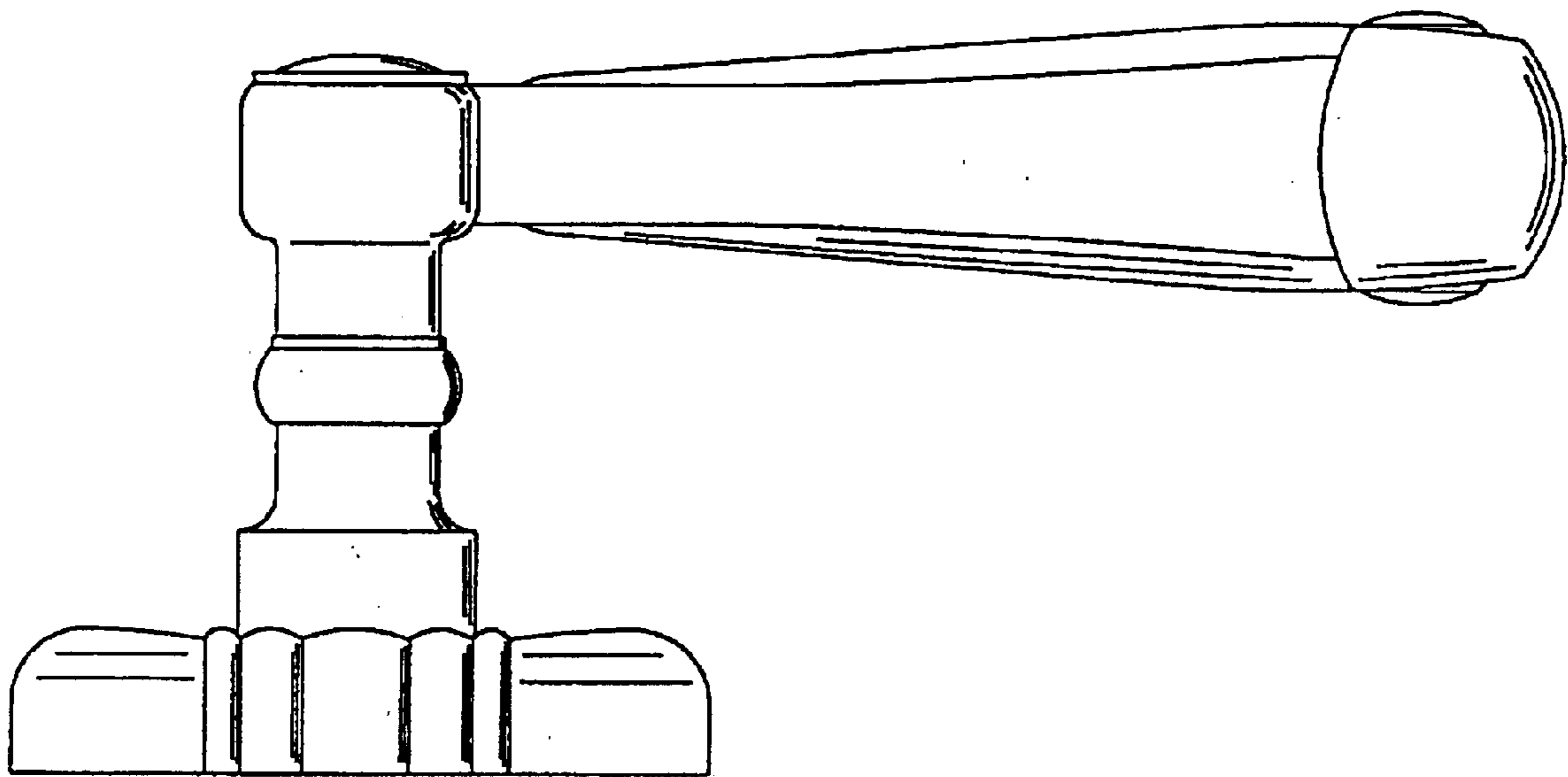


Fig-6