



US00D502080S

(12) **United States Design Patent**  
**Denoual**

(10) **Patent No.:** **US D502,080 S**

(45) **Date of Patent:** **\*\* Feb. 22, 2005**

(54) **DOOR HANDLESET**

D378,984 S \* 4/1997 Carsello ..... D8/308  
D436,454 S \* 1/2001 Moore ..... D6/323

(75) **Inventor:** **Thierry Denoual**, St. Gabriel Brecy (FR)

\* cited by examiner

(73) **Assignee:** **Studio 1884 sarl**, Flers (FR)

*Primary Examiner*—Paula A. Greene  
(74) *Attorney, Agent, or Firm*—Craig M. Stainbrook; Larry D. Johnson; Johnson & Stainbrook, LLP

(\*\*) **Term:** **14 Years**

(57) **CLAIM**

(21) **Appl. No.:** **29/191,225**

The ornamental design for a door handleset, as shown and described.

(22) **Filed:** **Oct. 3, 2003**

(51) **LOC (7) Cl.** ..... **08-06**

**DESCRIPTION**

(52) **U.S. Cl.** ..... **D8/301**

(58) **Field of Search** ..... D8/301–302, 308, D8/310, 350, 352, 353, 404, DIG. 2; D23/250–257; 16/402, 412; 70/207, 209, 450, 452; 292/336.5, 347, 356, 357

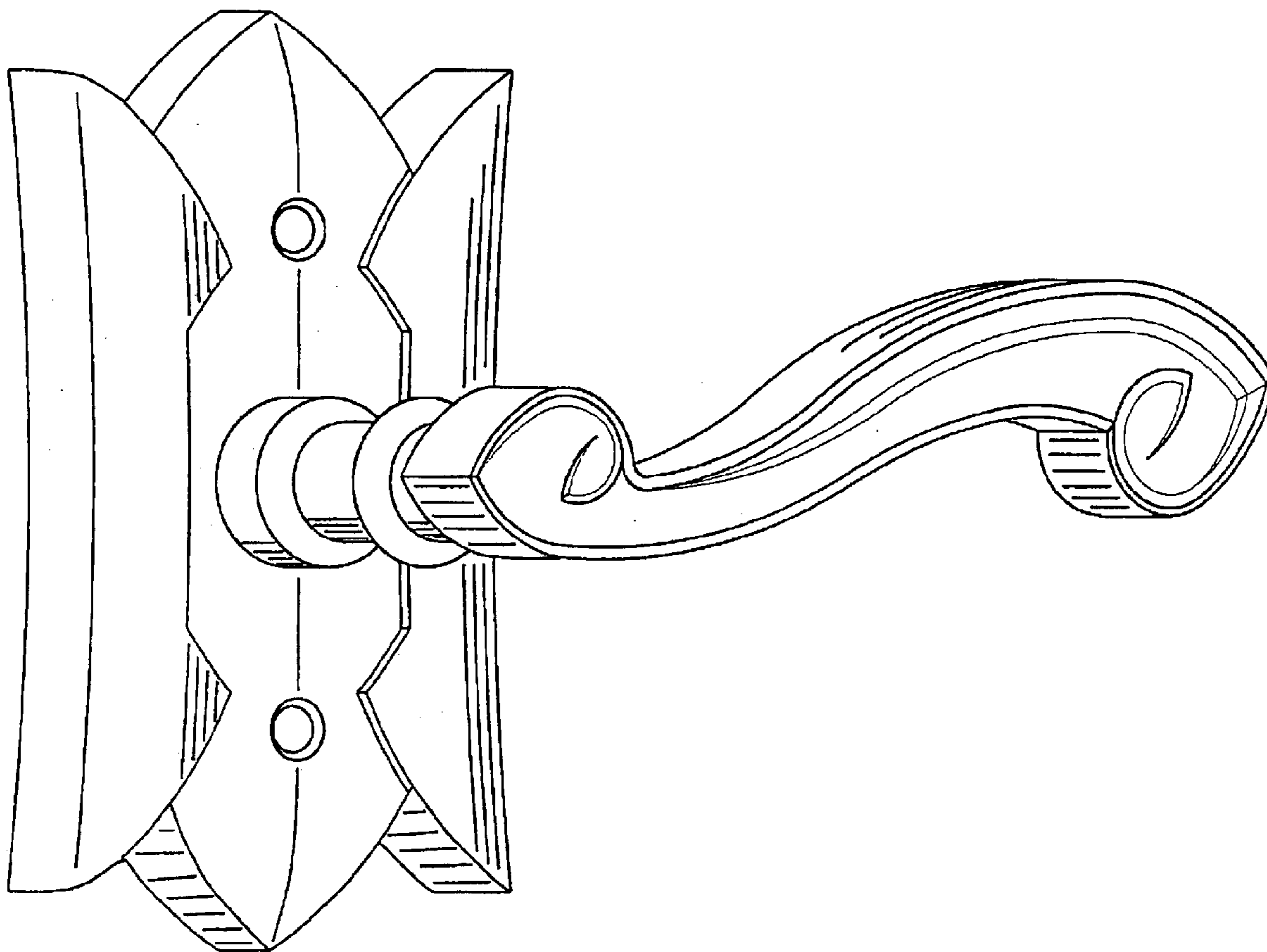
FIG. 1 is a perspective view of a door handleset showing my new design;  
FIG. 2 is a front elevation view thereof, the rear being unornamented;  
FIG. 3 is a right side elevation view thereof;  
FIG. 4 is a left side elevation view thereof;  
FIG. 5 is a top plan view thereof; and,  
FIG. 6 is a bottom plan view thereof.

(56) **References Cited**

**U.S. PATENT DOCUMENTS**

D318,215 S \* 7/1991 Fleming ..... D8/301  
D362,380 S \* 9/1995 Ellis et al. .... D8/301

**1 Claim, 6 Drawing Sheets**



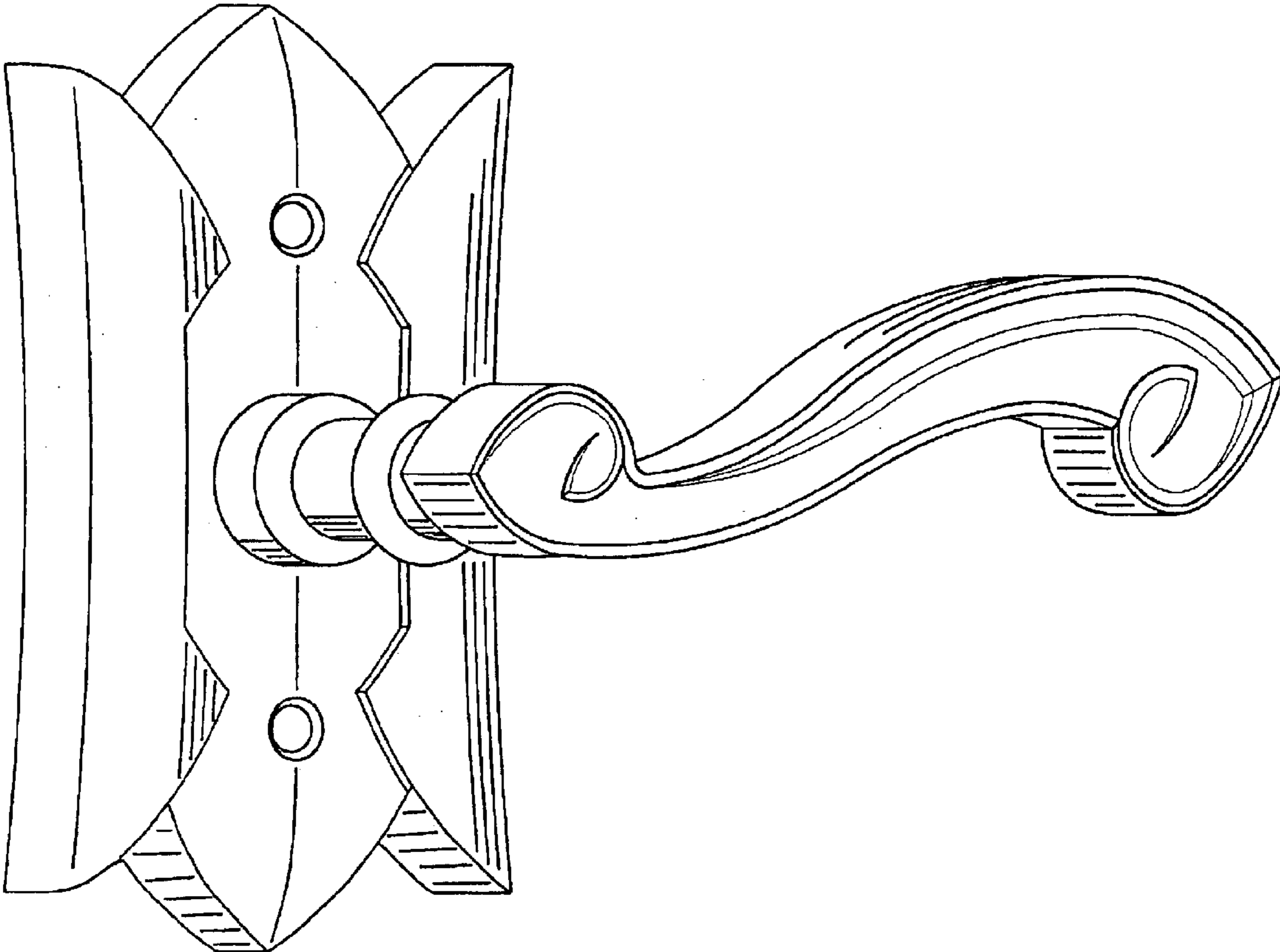


Fig-1

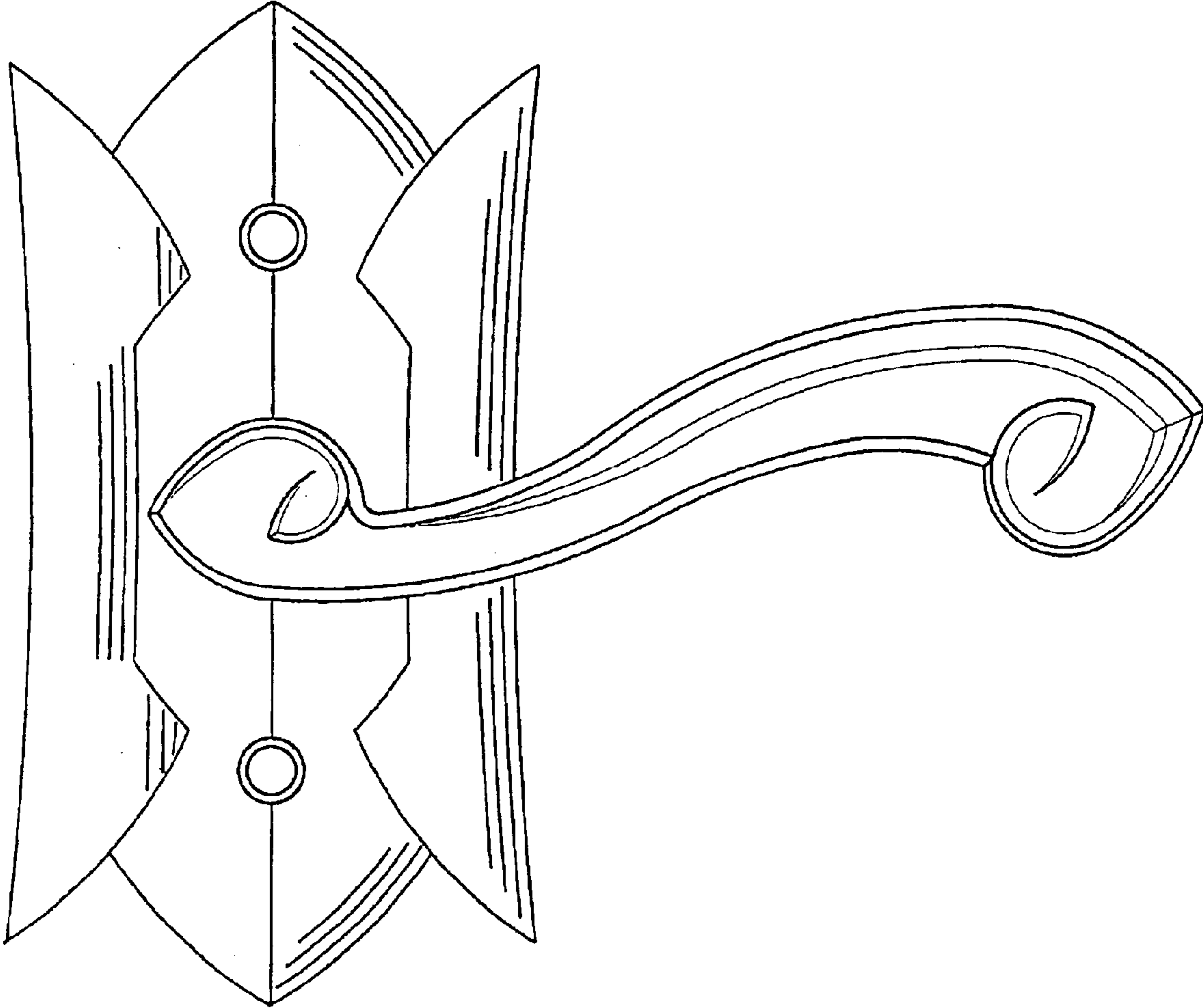


Fig-2

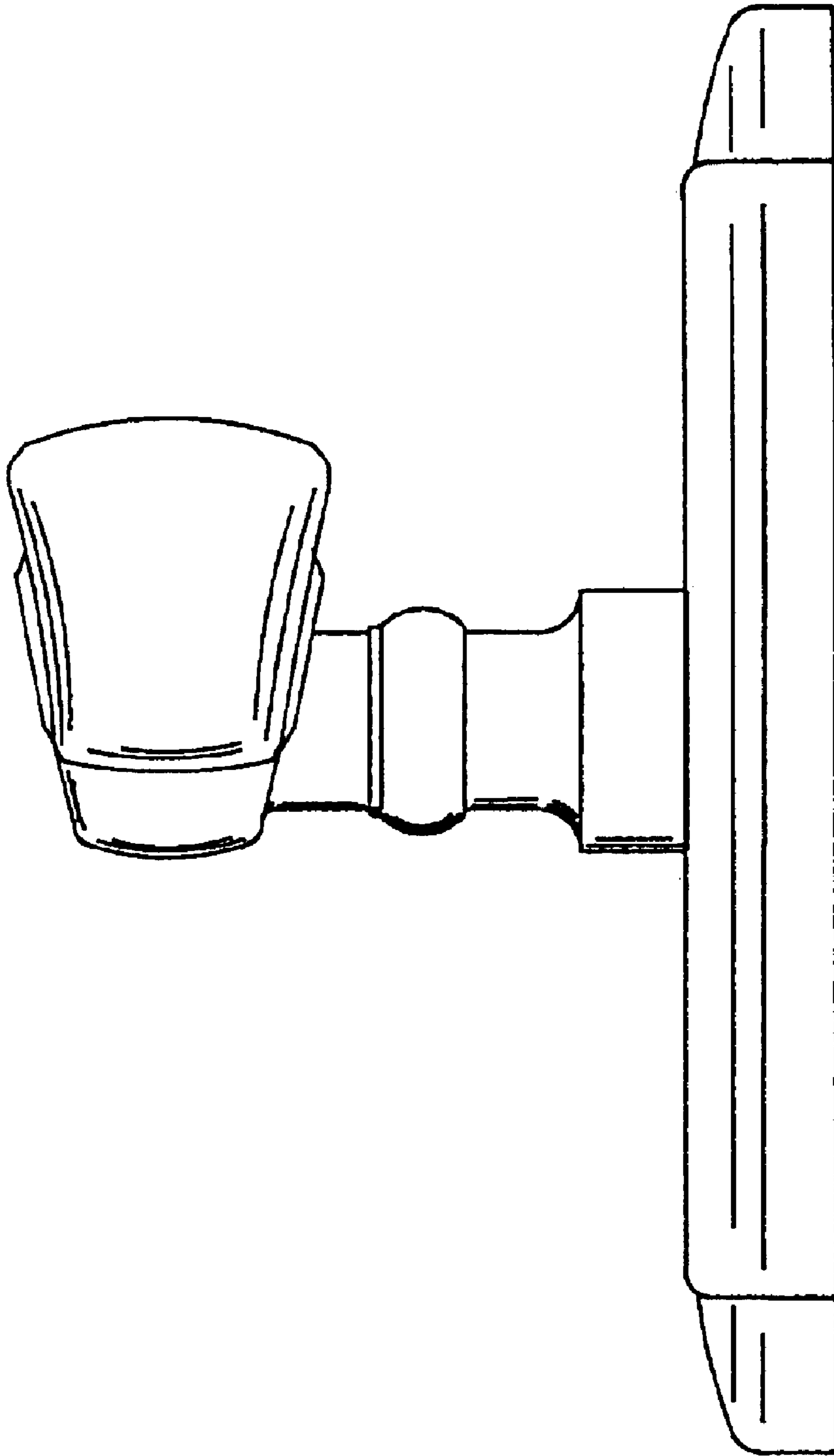


Fig-3

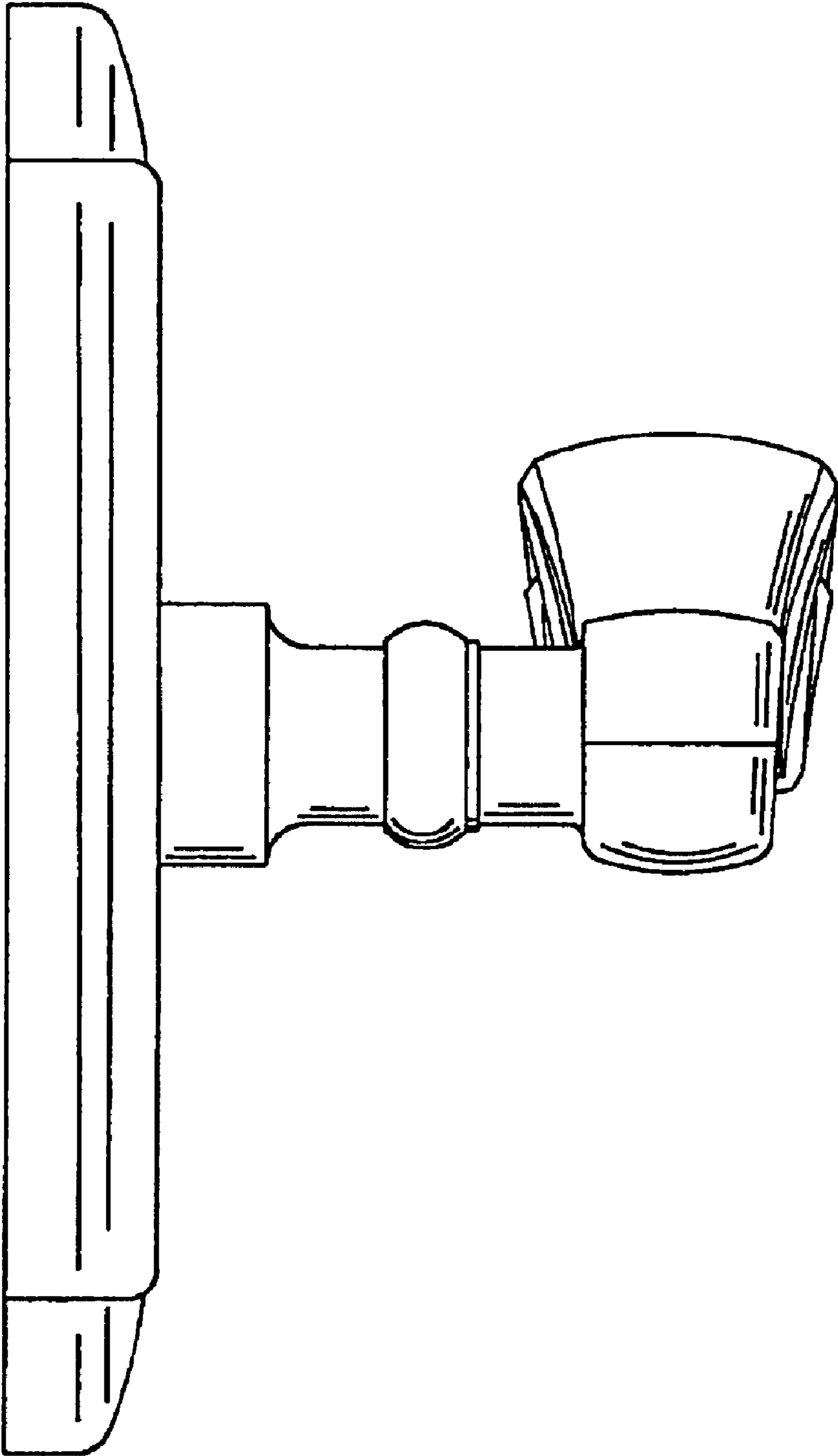


Fig-4

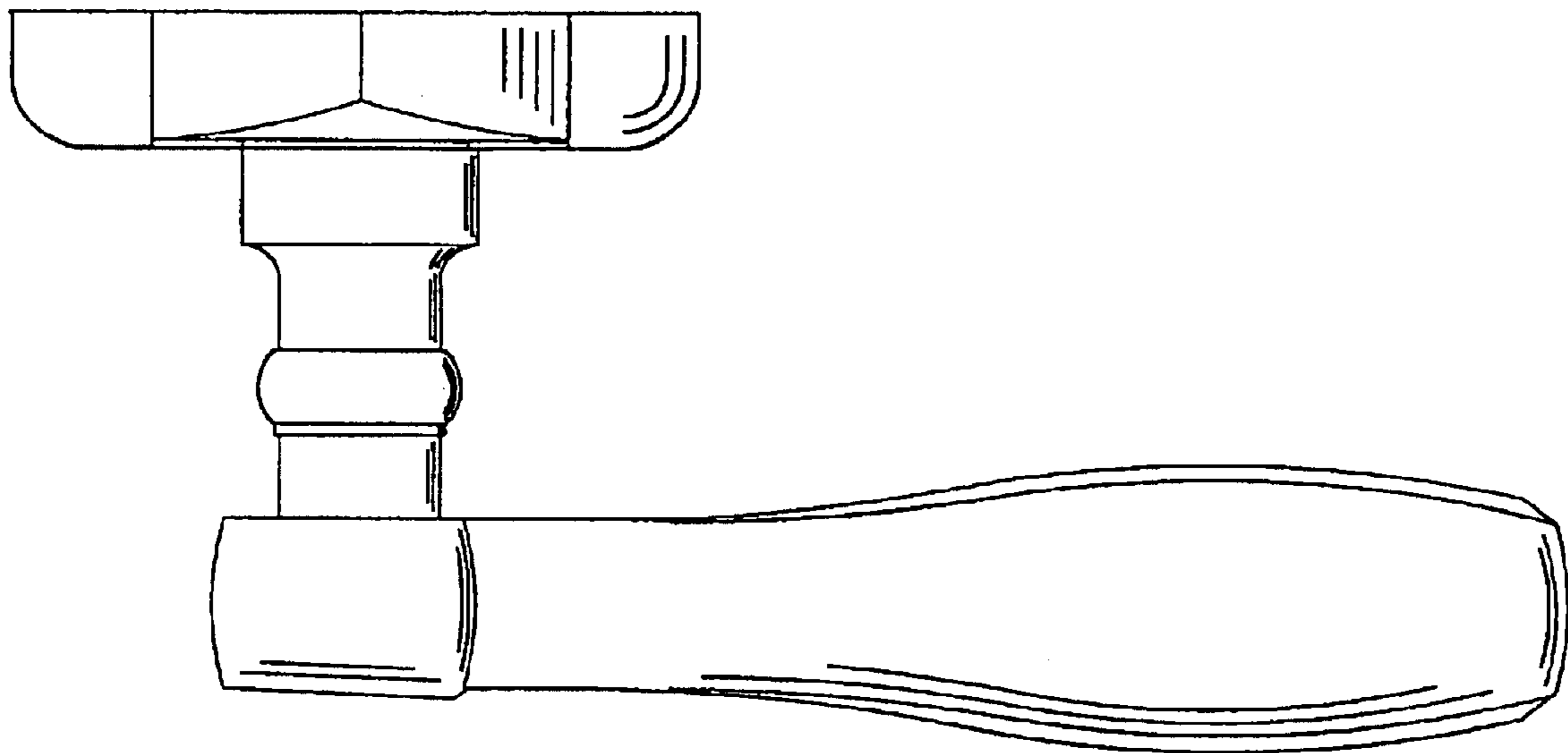


Fig-5

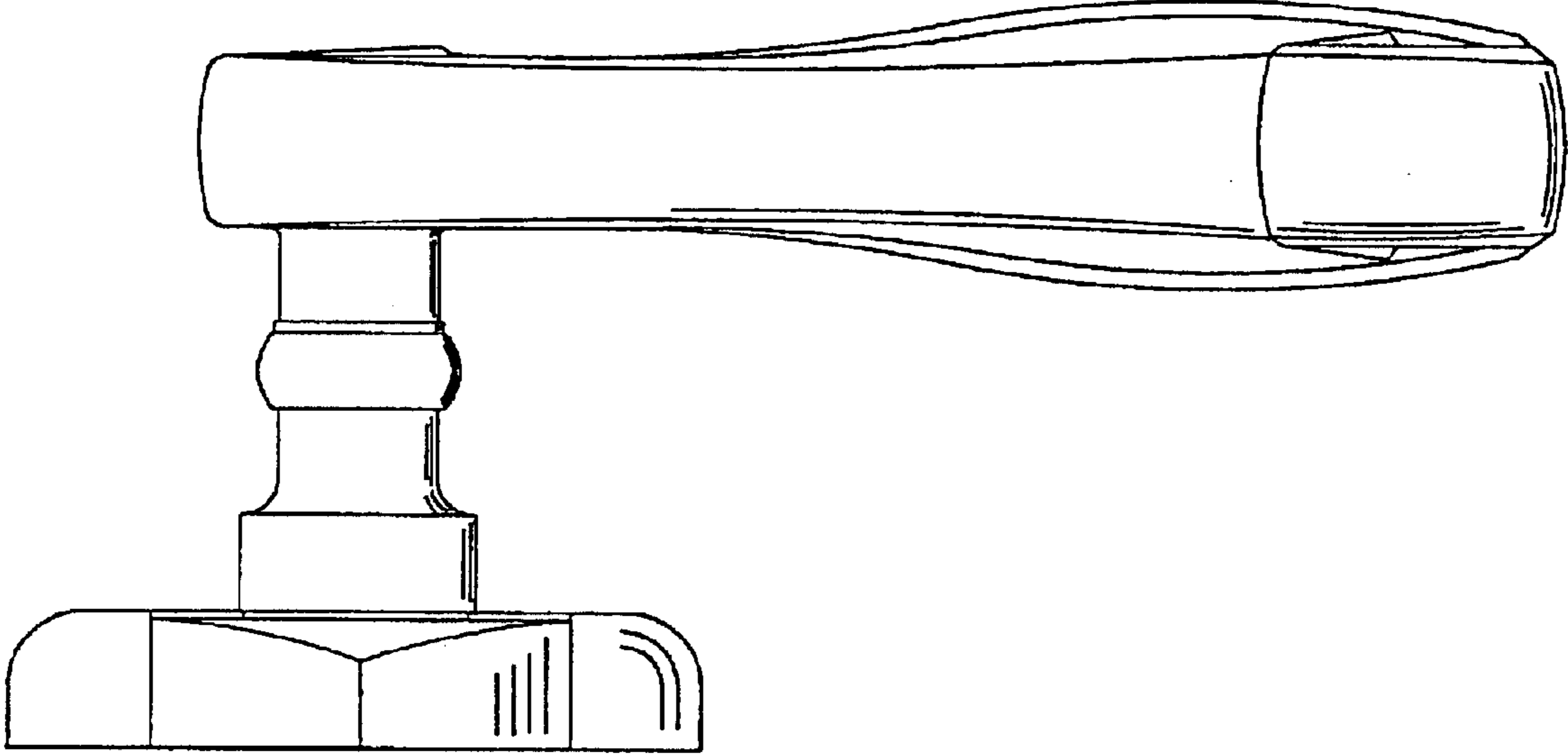


Fig-6