



US00D502079S

(12) **United States Design Patent**
Denoual

(10) **Patent No.:** **US D502,079 S**

(45) **Date of Patent:** **** Feb. 22, 2005**

(54) **DOOR HANDLESET**

(75) **Inventor:** **Thierry Denoual**, St. Gabriel Brecy (FR)

(73) **Assignee:** **Studio 1884 sarl**, Flers (FR)

(**) **Term:** **14 Years**

(21) **Appl. No.:** **29/191,224**

(22) **Filed:** **Oct. 3, 2003**

(51) **LOC (7) Cl.** **08-06**

(52) **U.S. Cl.** **D8/301**

(58) **Field of Search** D8/300, 301, 302, D8/308, 316-317, 338, 341, 352, 353; 16/402, 412; 292/347, 356, 357, 336.3; D23/250-257

(56) **References Cited**

U.S. PATENT DOCUMENTS

D261,726 S * 11/1981 Valli D8/301
D318,214 S * 7/1991 Fleming et al. D8/301

D318,215 S * 7/1991 Fleming D8/301
D471,422 S * 3/2003 Ellis et al. D8/301
D483,440 S * 12/2003 Smith D23/252

* cited by examiner

Primary Examiner—Paula A. Greene

(74) *Attorney, Agent, or Firm*—Craig M. Stainbrook; Larry D. Johnson; Johnson & Stainbrook, LLP

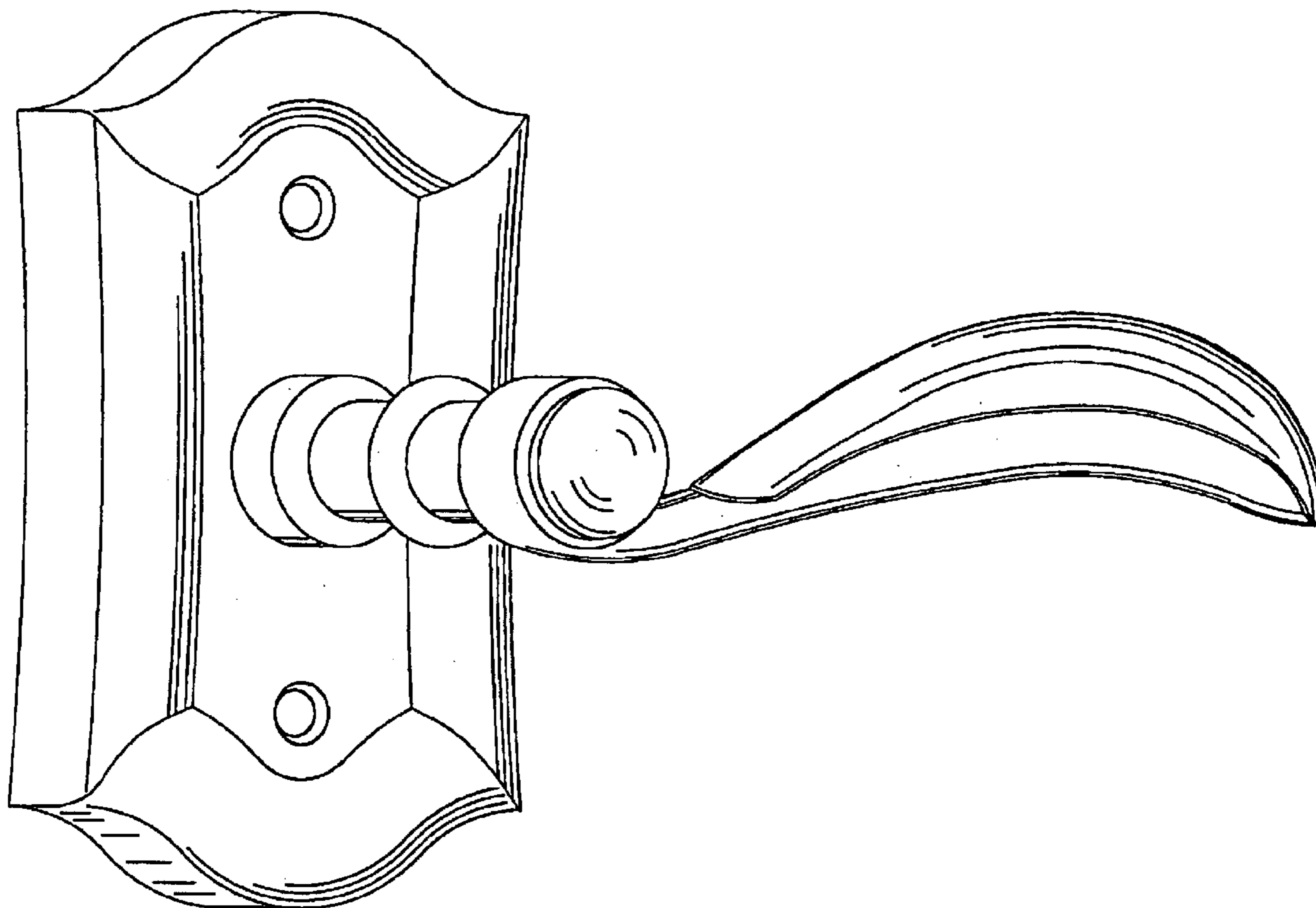
(57) **CLAIM**

The ornamental design for a door handleset, as shown and described.

DESCRIPTION

FIG. 1 is a perspective view of a door handleset showing my new design;
FIG. 2 is a front elevation view thereof, the rear being unornamented;
FIG. 3 is a right side elevation view thereof;
FIG. 4 is a left side elevation view thereof;
FIG. 5 is a top plan view thereof; and,
FIG. 6 is a bottom plan view thereof.

1 Claim, 6 Drawing Sheets



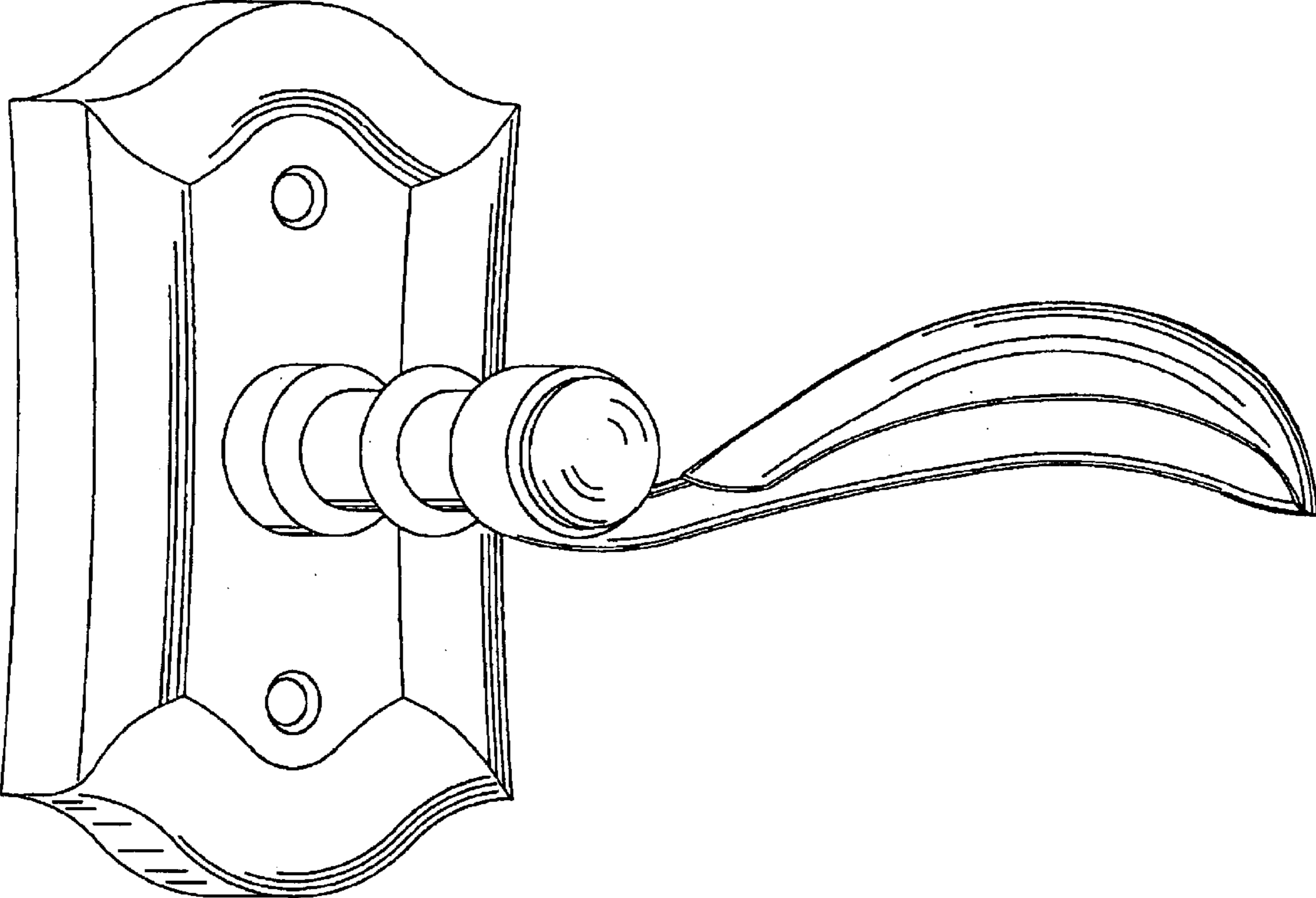


Fig-1

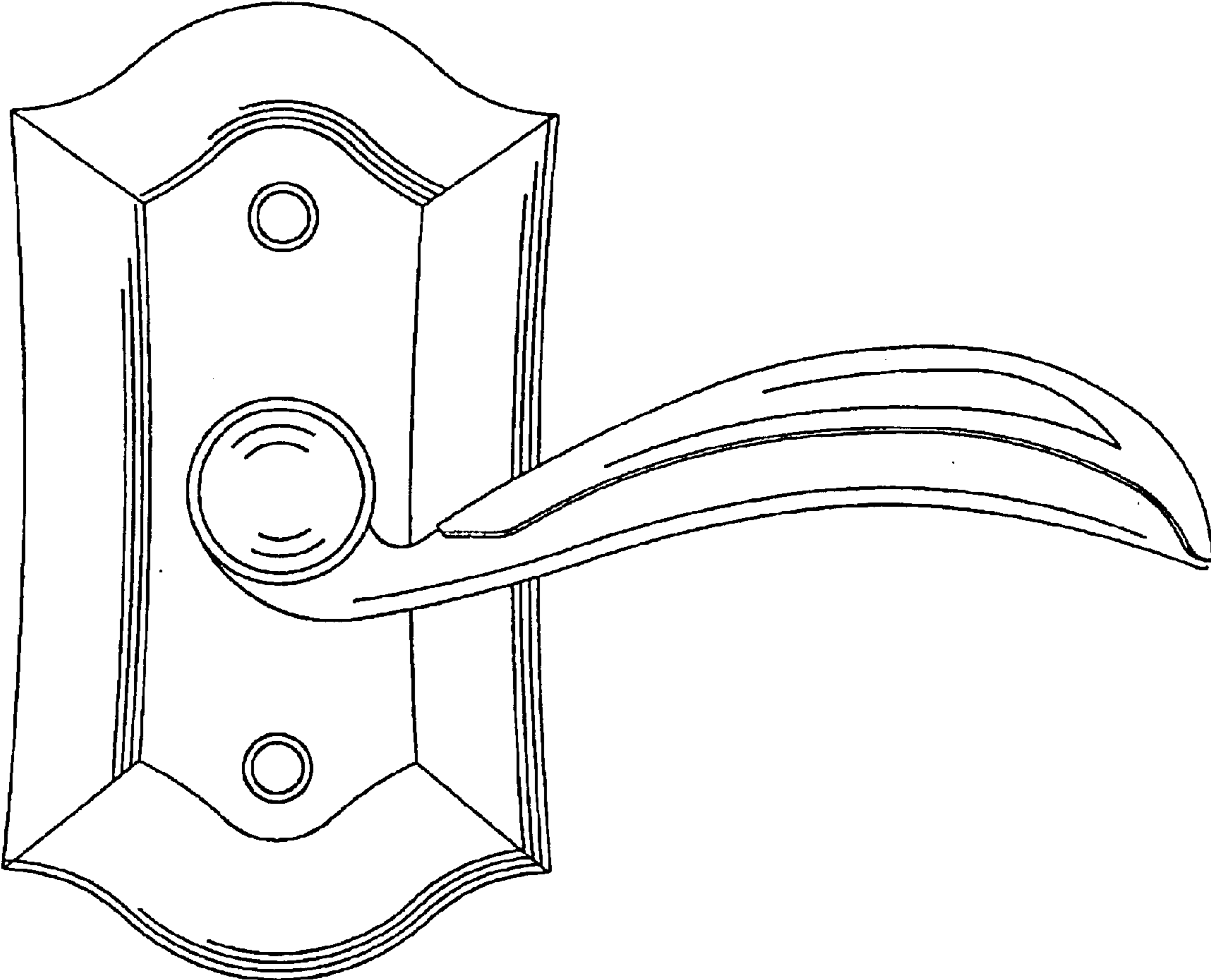


Fig-2

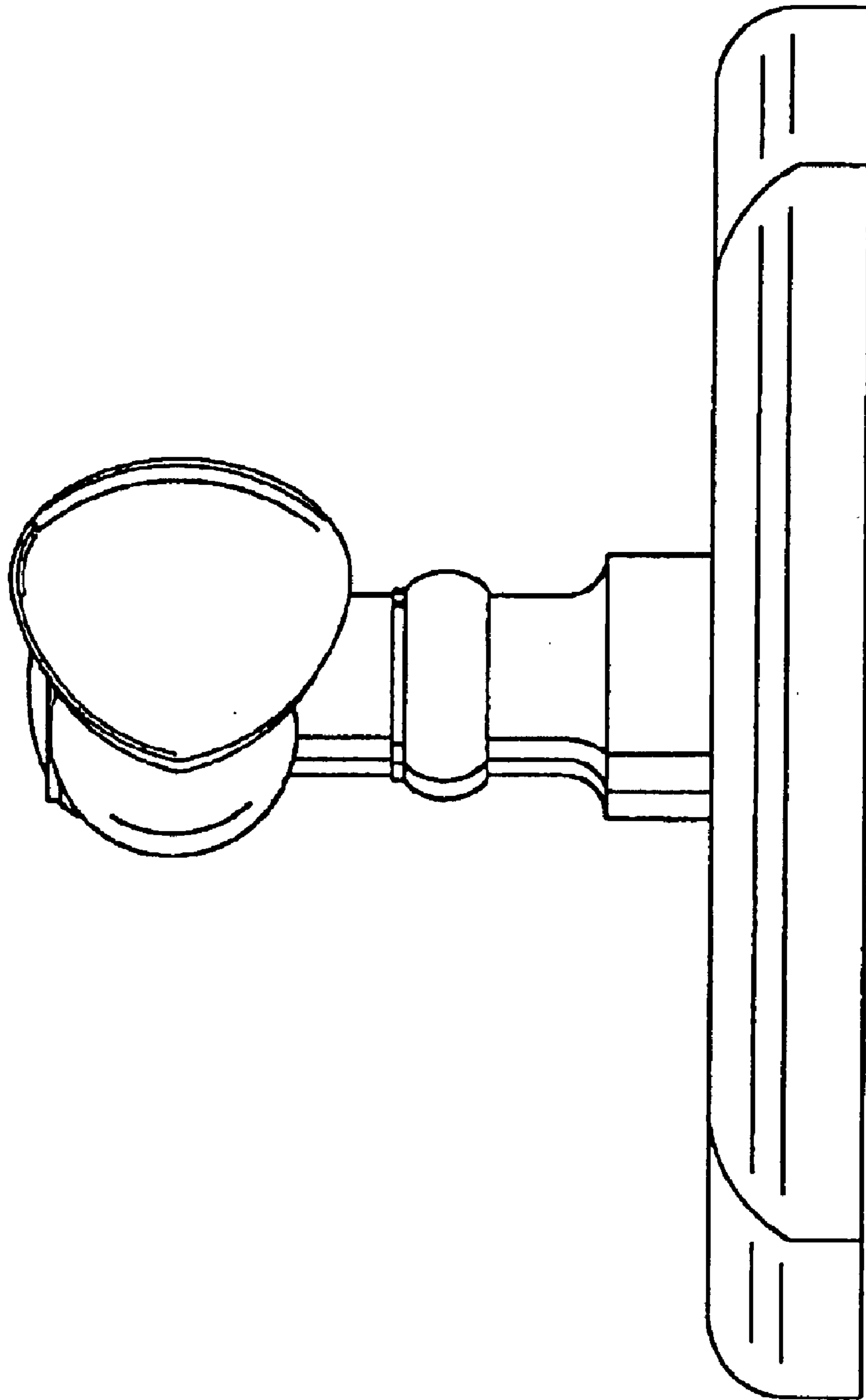


Fig-3

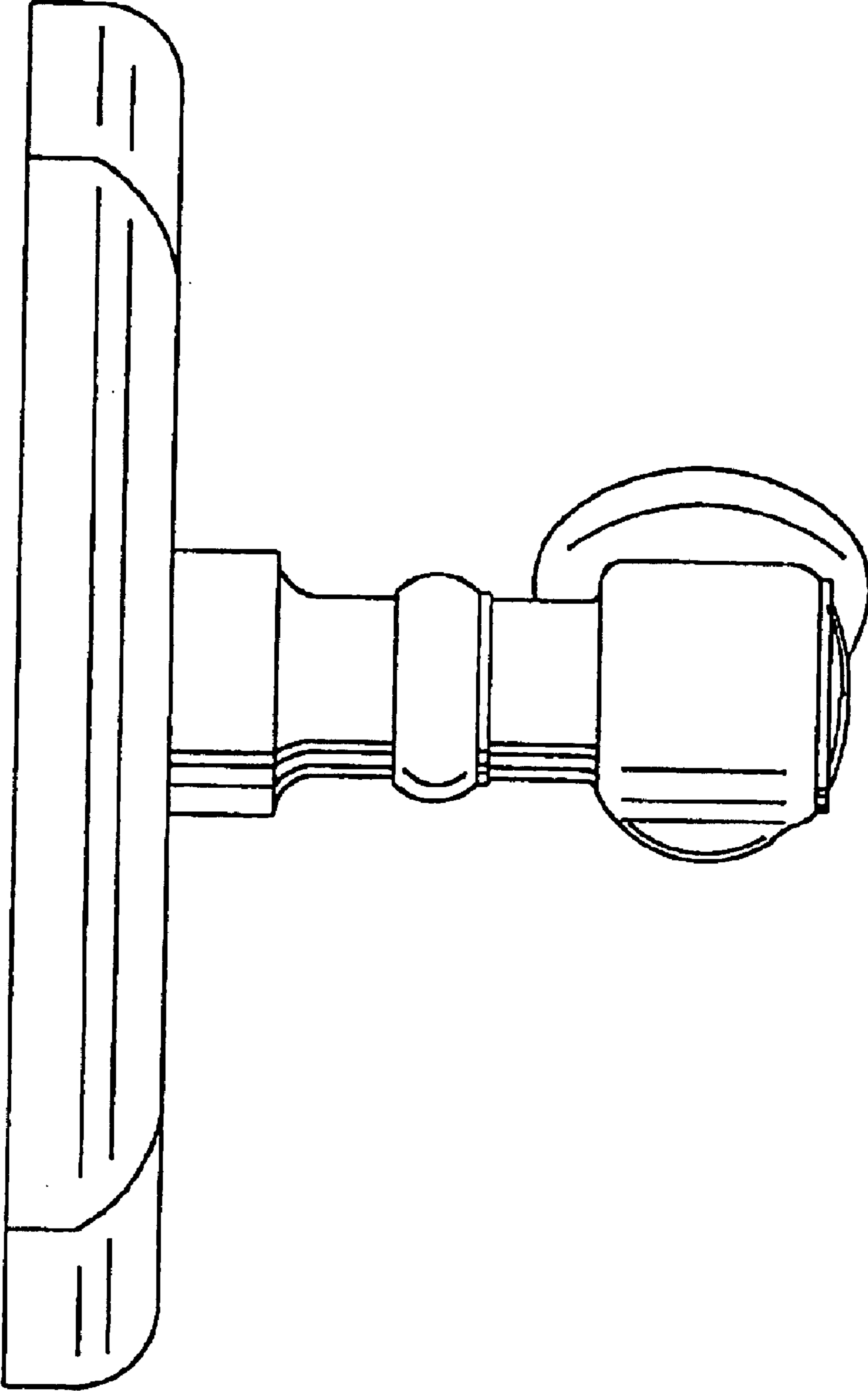


Fig-4

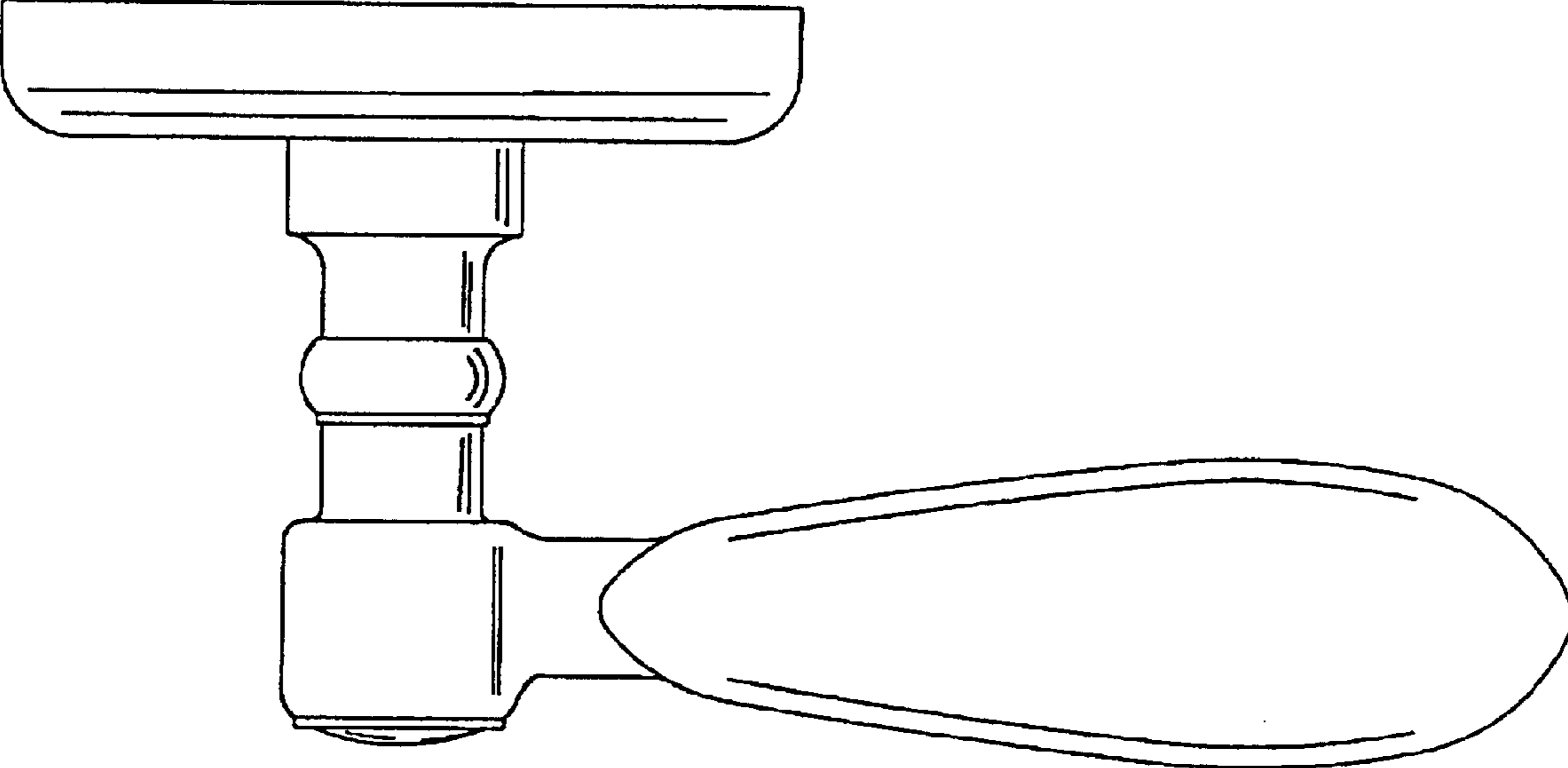


Fig-5

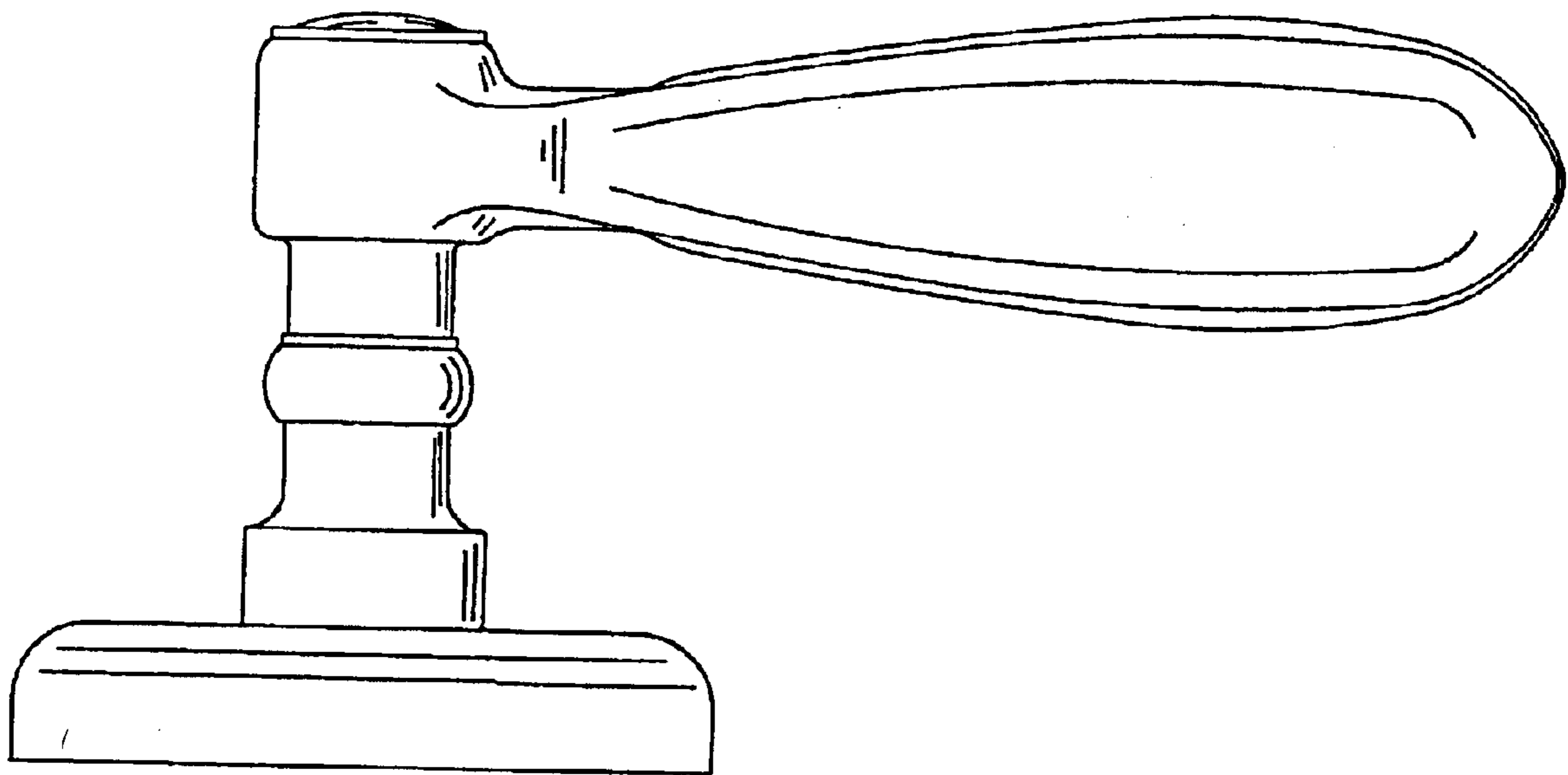


Fig-6