



US00D502078S

(12) **United States Design Patent**  
**Denoual**

(10) **Patent No.:** **US D502,078 S**

(45) **Date of Patent:** **\*\* Feb. 22, 2005**

(54) **DOOR HANDLESET**

(75) **Inventor:** **Thierry Denoual**, St. Gabriel Brecy (FR)

(73) **Assignee:** **Studio 1884 sarl**, Flers (FR)

(\*\*) **Term:** **14 Years**

(21) **Appl. No.:** **29/191,222**

(22) **Filed:** **Oct. 3, 2003**

(51) **LOC (7) Cl.** ..... **08-06**

(52) **U.S. Cl.** ..... **D8/301**

(58) **Field of Search** ..... D8/300, 301, 302, D8/308, 316, 317, 338, 341; 16/402, 412; 70/207, 209, 450, 452; 292/347, 356, 357, 336.3; D23/250-257

(56) **References Cited**

**U.S. PATENT DOCUMENTS**

D261,726 S \* 11/1981 Valli ..... D8/301  
D318,215 S \* 7/1991 Fleming ..... D8/301

D319,000 S \* 8/1991 Pechar ..... D8/301  
D471,422 S \* 3/2003 Ellis et al. .... D8/301  
D475,767 S \* 6/2003 Yegyayan et al. .... D23/252

\* cited by examiner

*Primary Examiner*—Paula A. Greene

(74) *Attorney, Agent, or Firm*—Craig M. Stainbrook; Larry D. Johnson; Johnson & Stainbrook, LLP

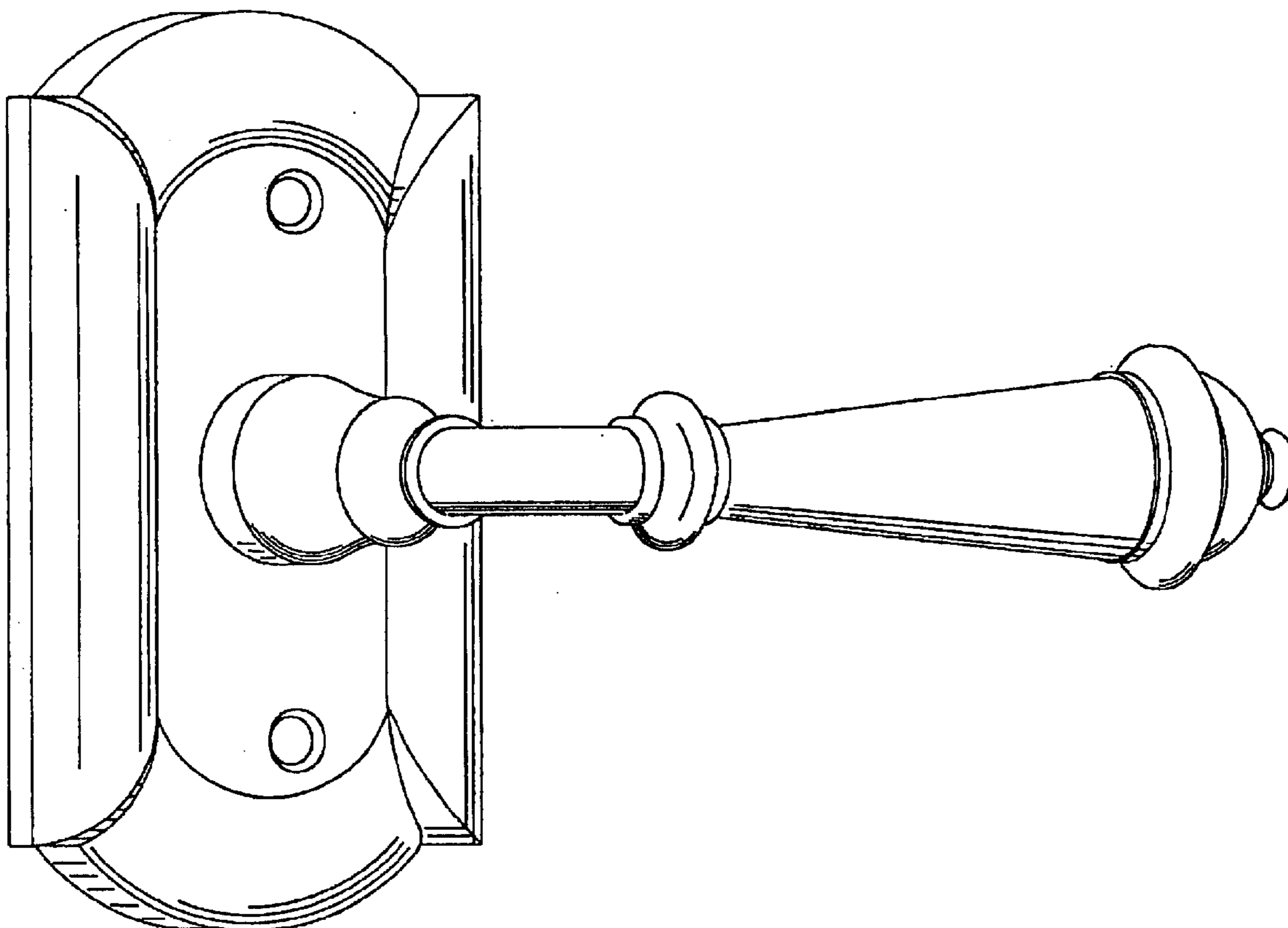
(57) **CLAIM**

The ornamental design for a door handleset, as shown and described.

**DESCRIPTION**

FIG. 1 is a perspective view of a door handleset showing my new design;  
FIG. 2 is a front elevation view thereof, the rear being unornamented;  
FIG. 3 is a right side elevation view thereof;  
FIG. 4 is a left side elevation view thereof;  
FIG. 5 is a top plan view thereof; and,  
FIG. 6 is a bottom plan view thereof.

**1 Claim, 6 Drawing Sheets**



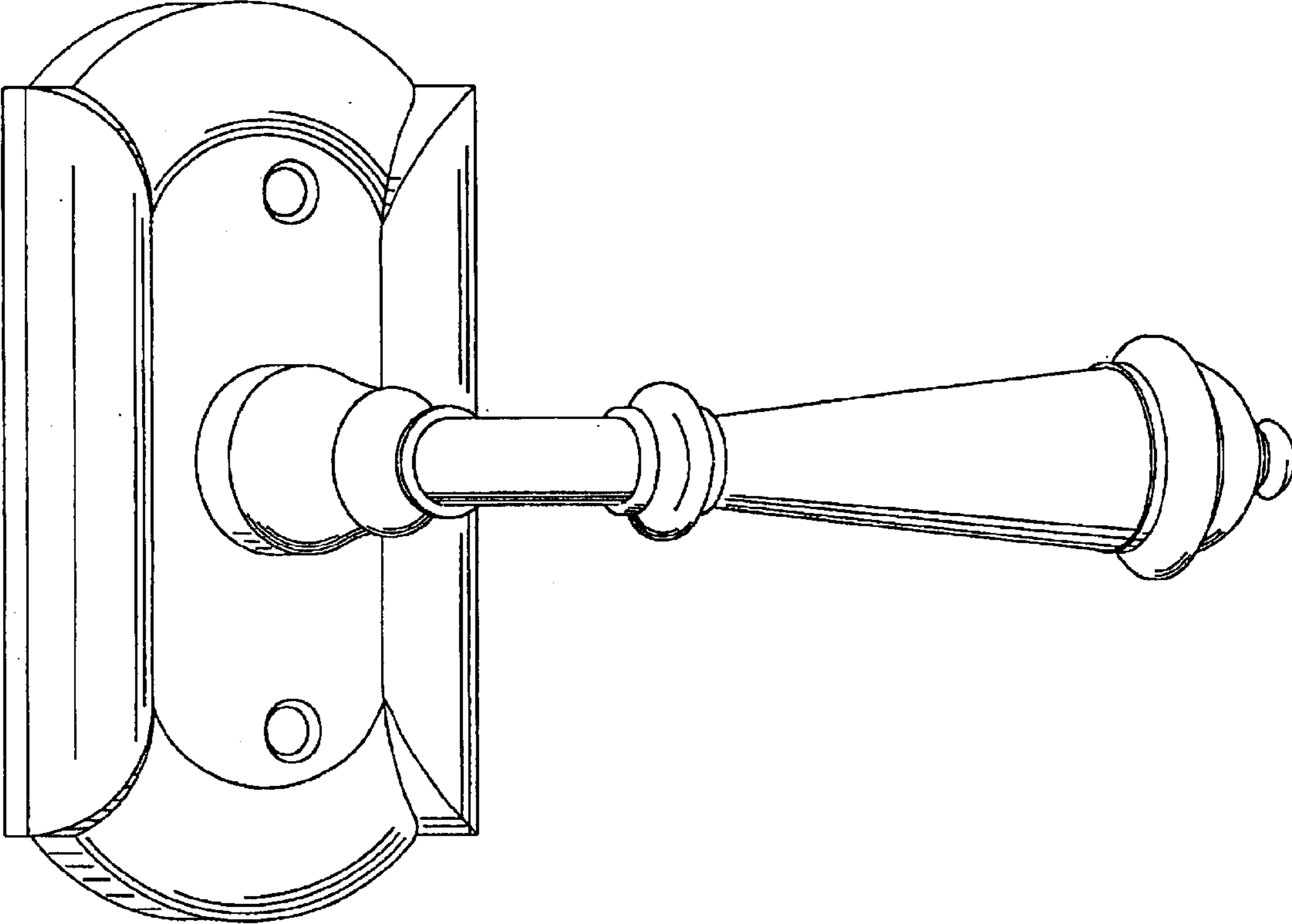


Fig-1

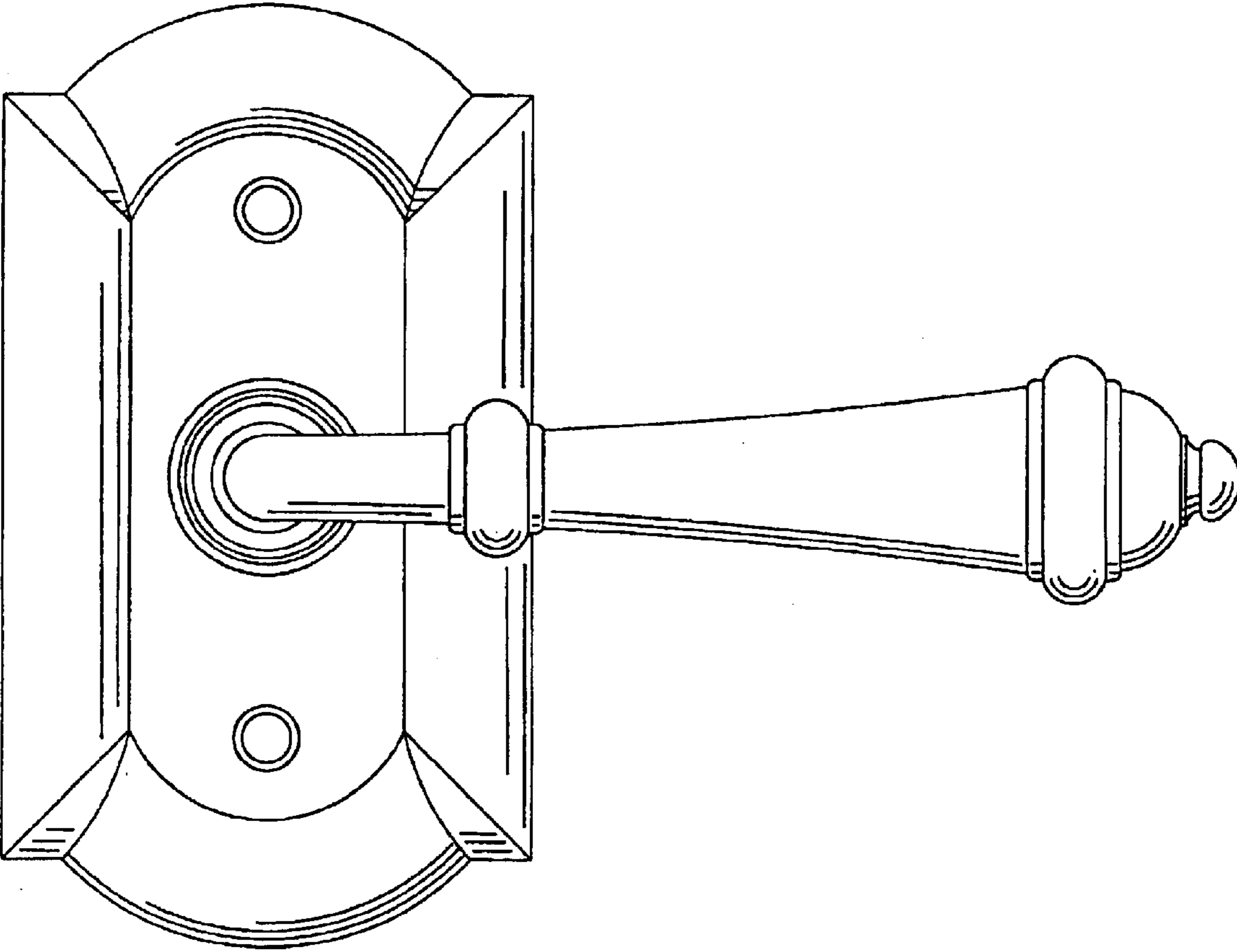


Fig-2

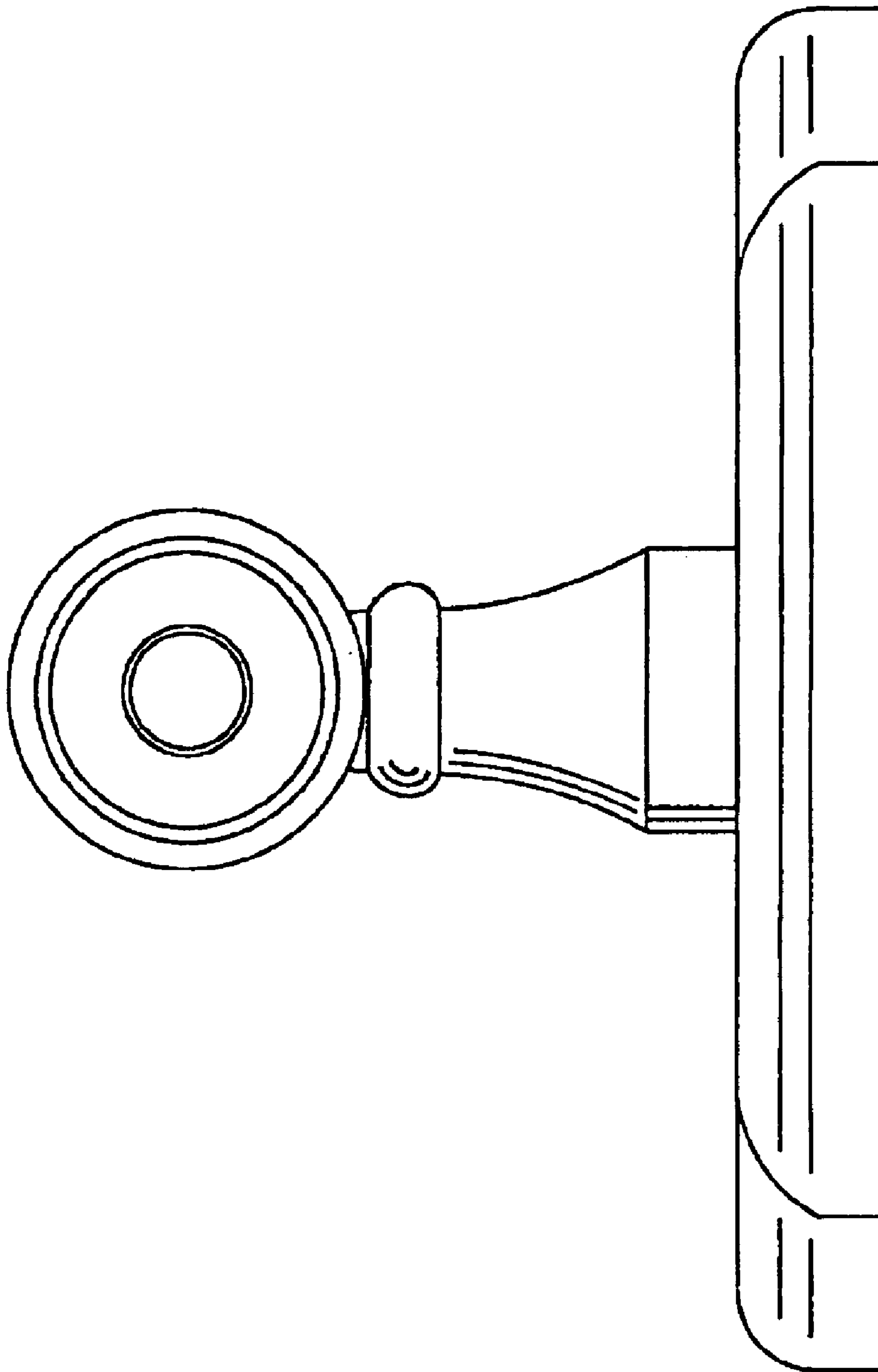


Fig-3

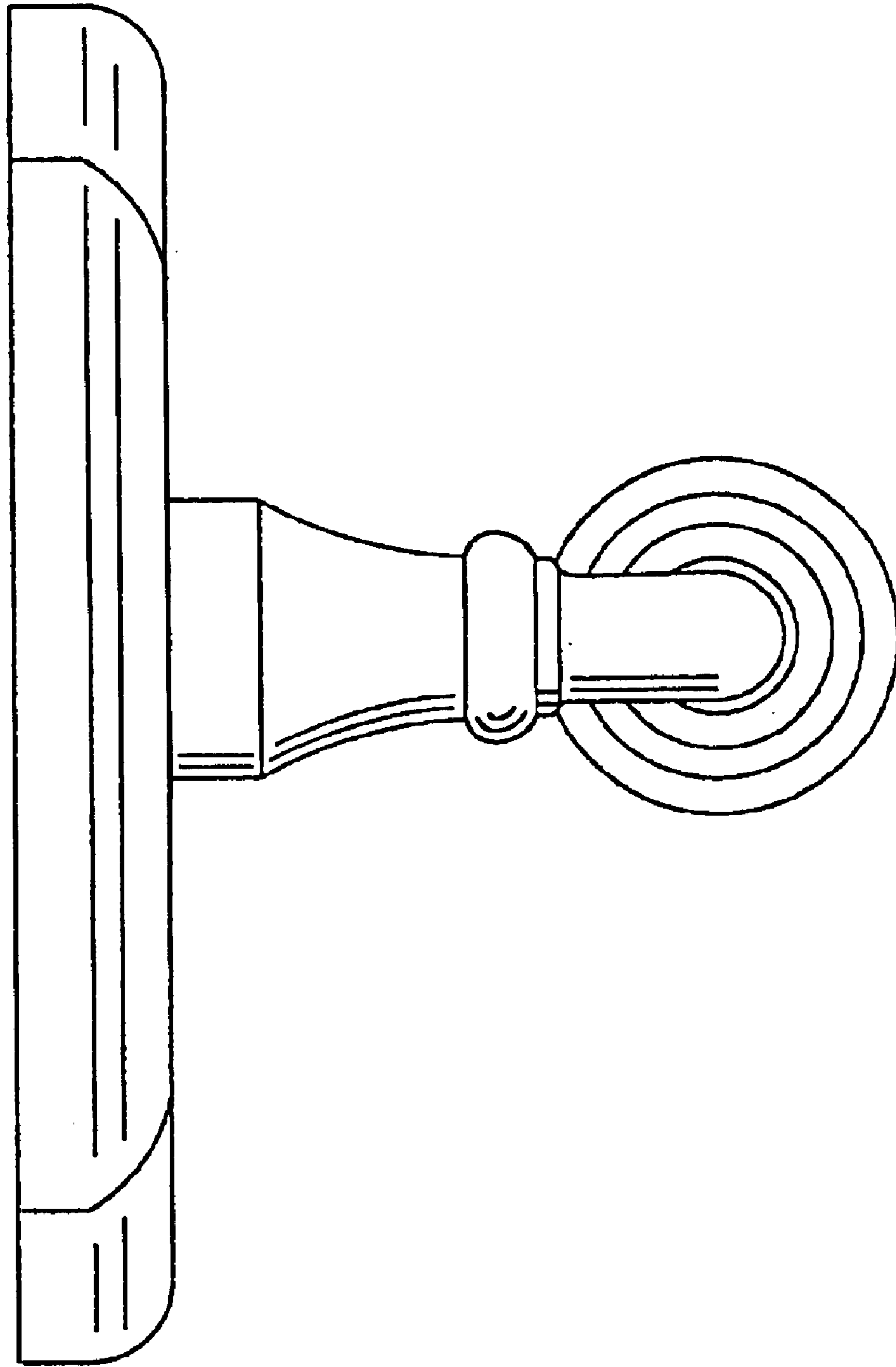


Fig-4

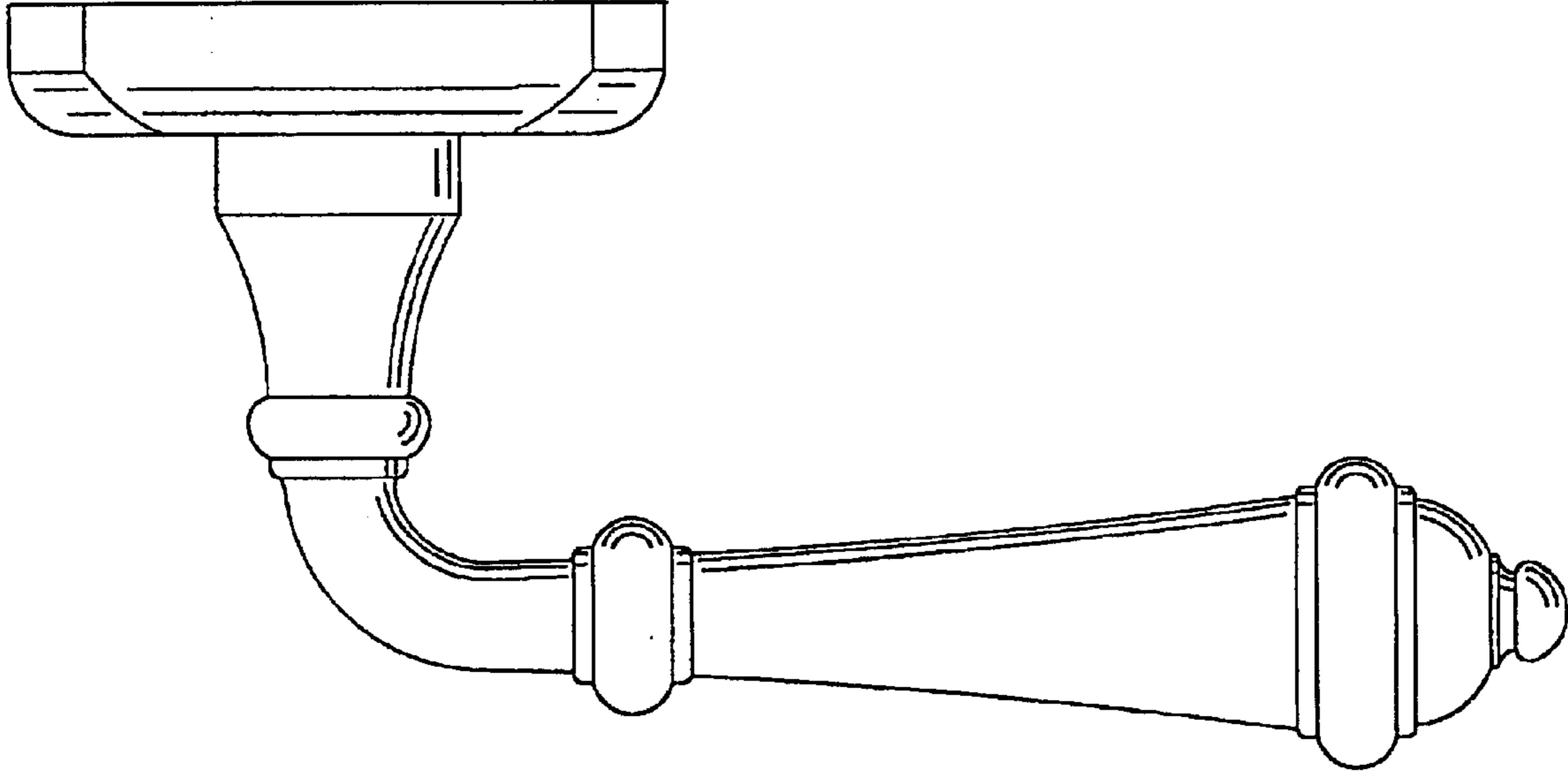


Fig-5

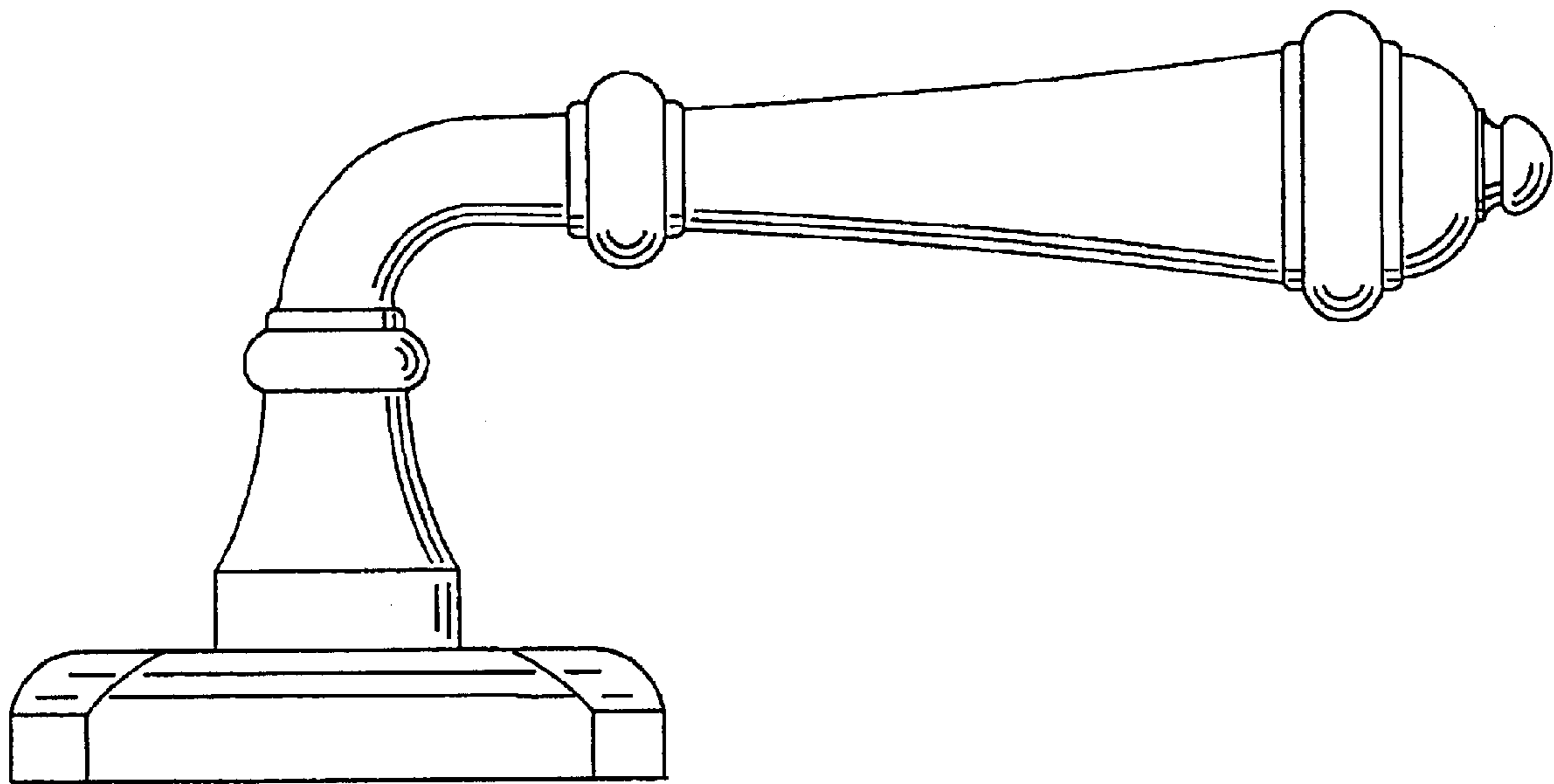


Fig-6