

US00D502075S

(12) **United States Design Patent**
Main

(10) **Patent No.:** **US D502,075 S**

(45) **Date of Patent:** **** *Feb. 22, 2005**

(54) **POWER TOOL**

(75) **Inventor:** **Stacey A. Main**, Baltimore, MD (US)

(73) **Assignee:** **Black & Decker, Inc.**, Newark, DE (US)

(*) **Notice:** This patent is subject to a terminal disclaimer.

(**) **Term:** **14 Years**

(21) **Appl. No.:** **29/149,090**

(22) **Filed:** **Oct. 3, 2001**

(51) **LOC (7) Cl.** **08-05**

(52) **U.S. Cl.** **D8/69**

(58) **Field of Search** D8/61, 62, 63, D8/64, 65, 66, 67, 68, 69, 70; 81/57.11, 429, 464; 173/48, 109, 169, 178; 227/2, 8, 114, 120, 123, 130, 131, 136, 142; 310/50, 124, 241 R

(56) **References Cited**

U.S. PATENT DOCUMENTS

D319,564 S	*	9/1991	Okayasu	D8/61
D364,790 S		12/1995	Duennes		
5,813,805 A		9/1998	Kopras		
5,902,080 A		5/1999	Kopras		
D413,242 S	*	8/1999	Robson	D8/69
D413,244 S	*	8/1999	Robson	D8/69
D415,941 S		11/1999	Lui		

D420,267 S	*	2/2000	Robson	D8/70
6,048,260 A		4/2000	Kopras		
D437,757 S		2/2001	Thomson et al.		
D438,076 S		2/2001	Wikle et al.		
D439,122 S		3/2001	Adler et al.		
D439,484 S		3/2001	Adler et al.		
6,206,107 B1	*	3/2001	Wadge	310/50
6,286,611 B1	*	9/2001	Bone	310/50

* cited by examiner

Primary Examiner—Doris V. Coles

Assistant Examiner—T. Chase Nelson

(74) *Attorney, Agent, or Firm*—Bruce S. Shapiro; Michael P. Leary

(57) **CLAIM**

The ornamental design for a power tool, as shown and described.

DESCRIPTION

FIG. 1 is a front perspective view of a power tool showing my new design.

FIG. 2 is a left side elevational view thereof.

FIG. 3 is a right side elevational view thereof.

FIG. 4 is a front elevational view thereof.

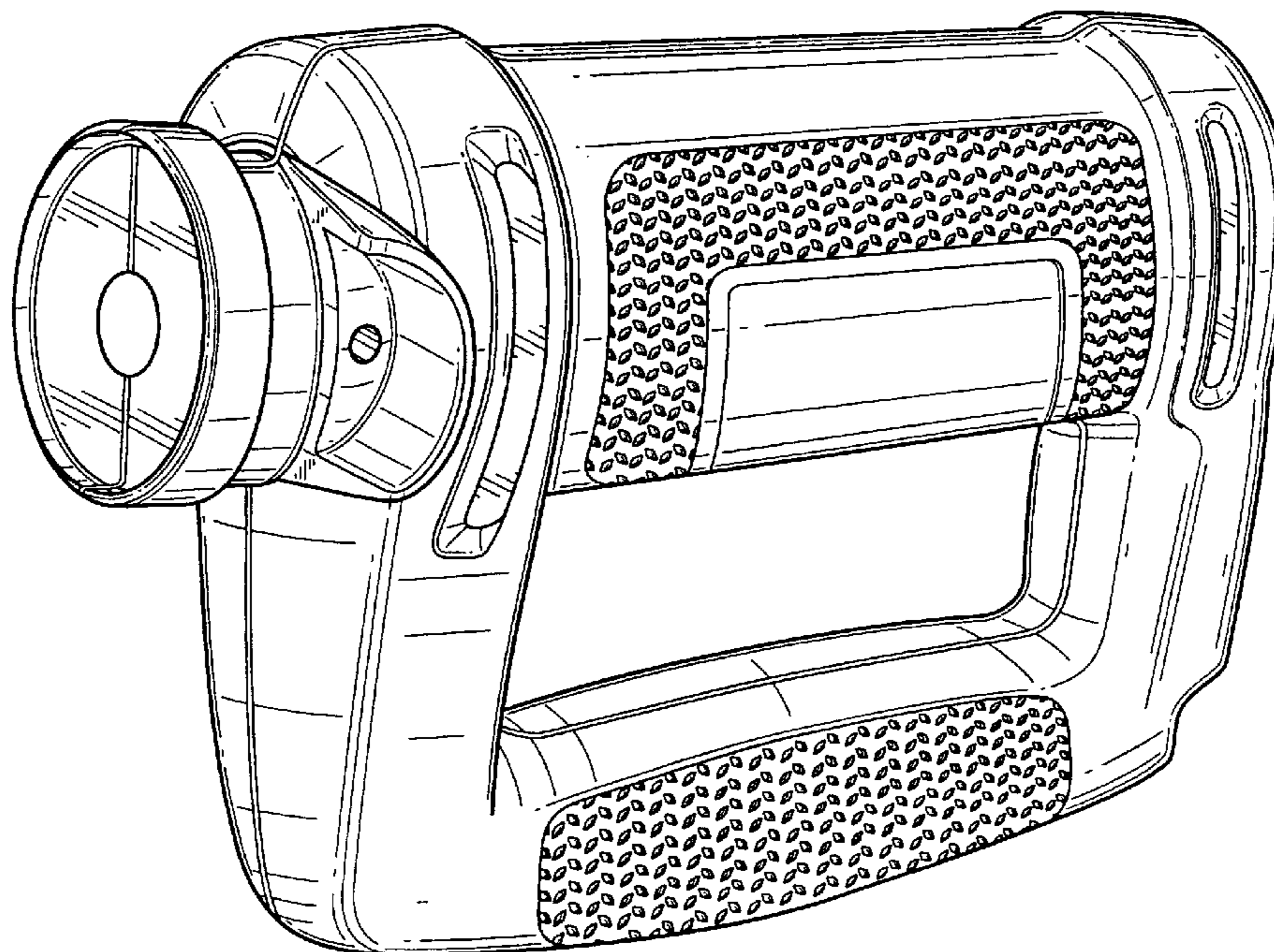
FIG. 5 is a rear elevational view thereof.

FIG. 6 is a top plan view thereof; and,

FIG. 7 is a bottom plan view thereof.

The broken line showing of environmental structure in FIGS. 5 and 7 is for illustrative purposes only and forms no part of the claimed design.

1 Claim, 7 Drawing Sheets



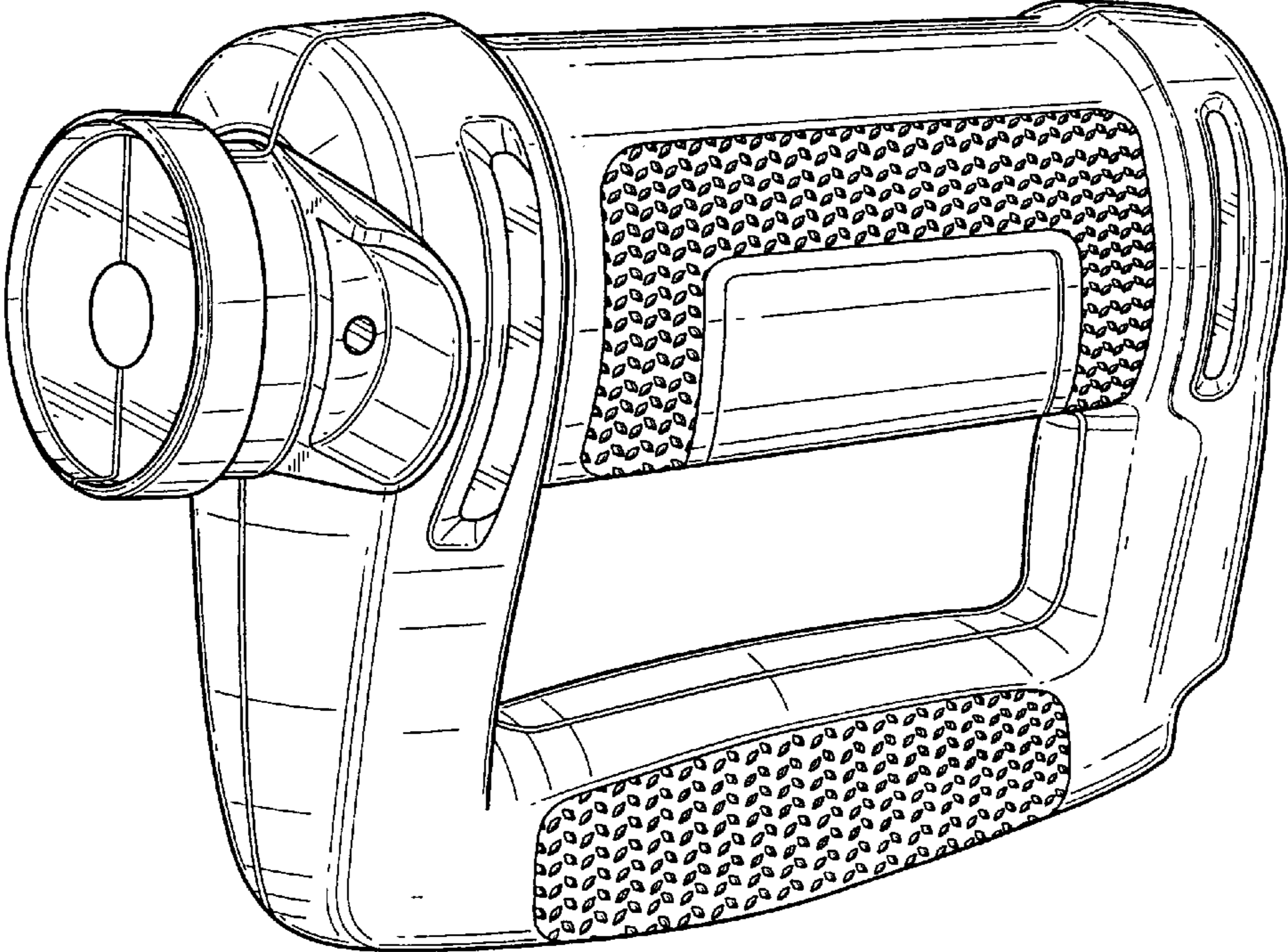


FIG. 1

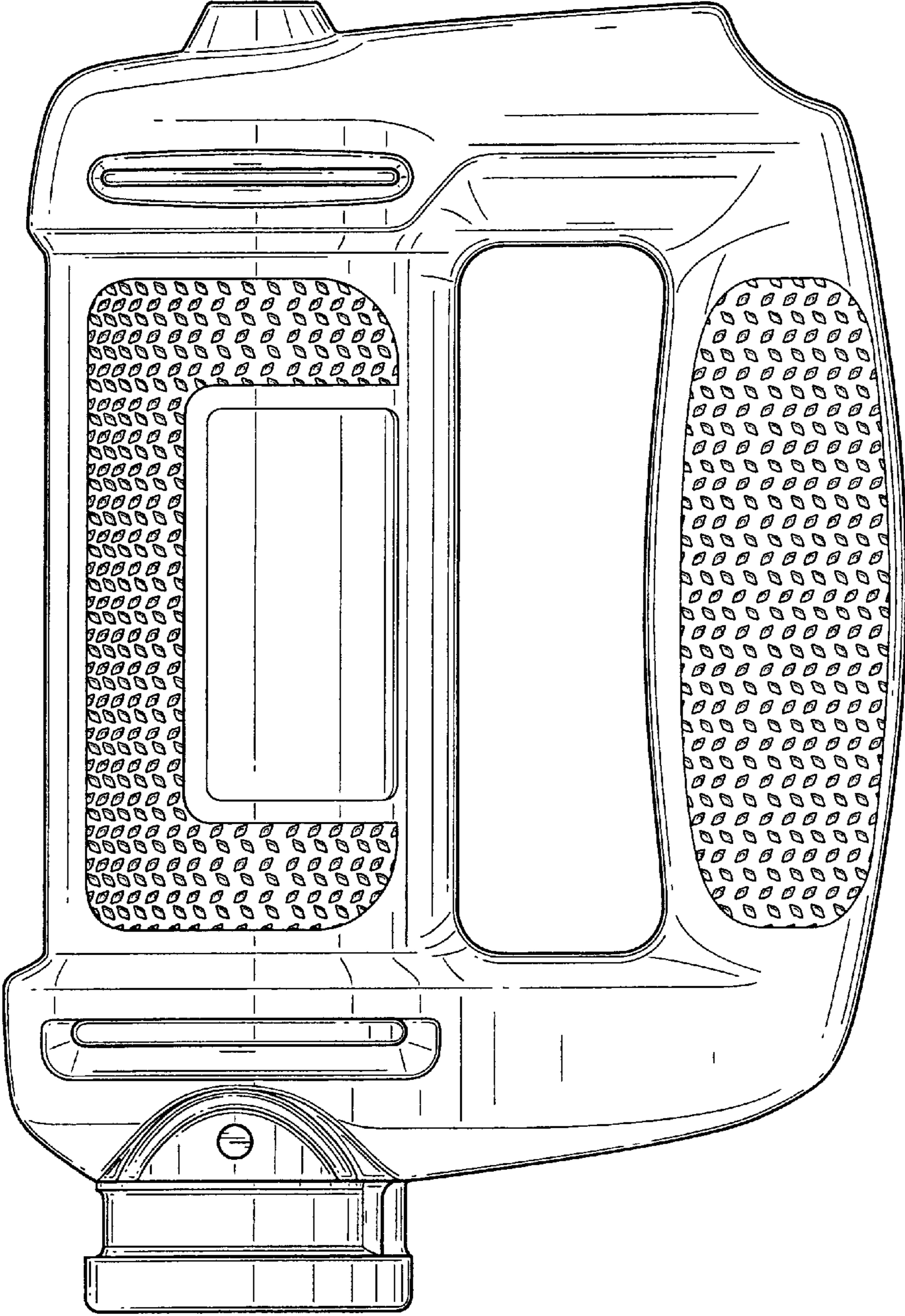


FIG. 2

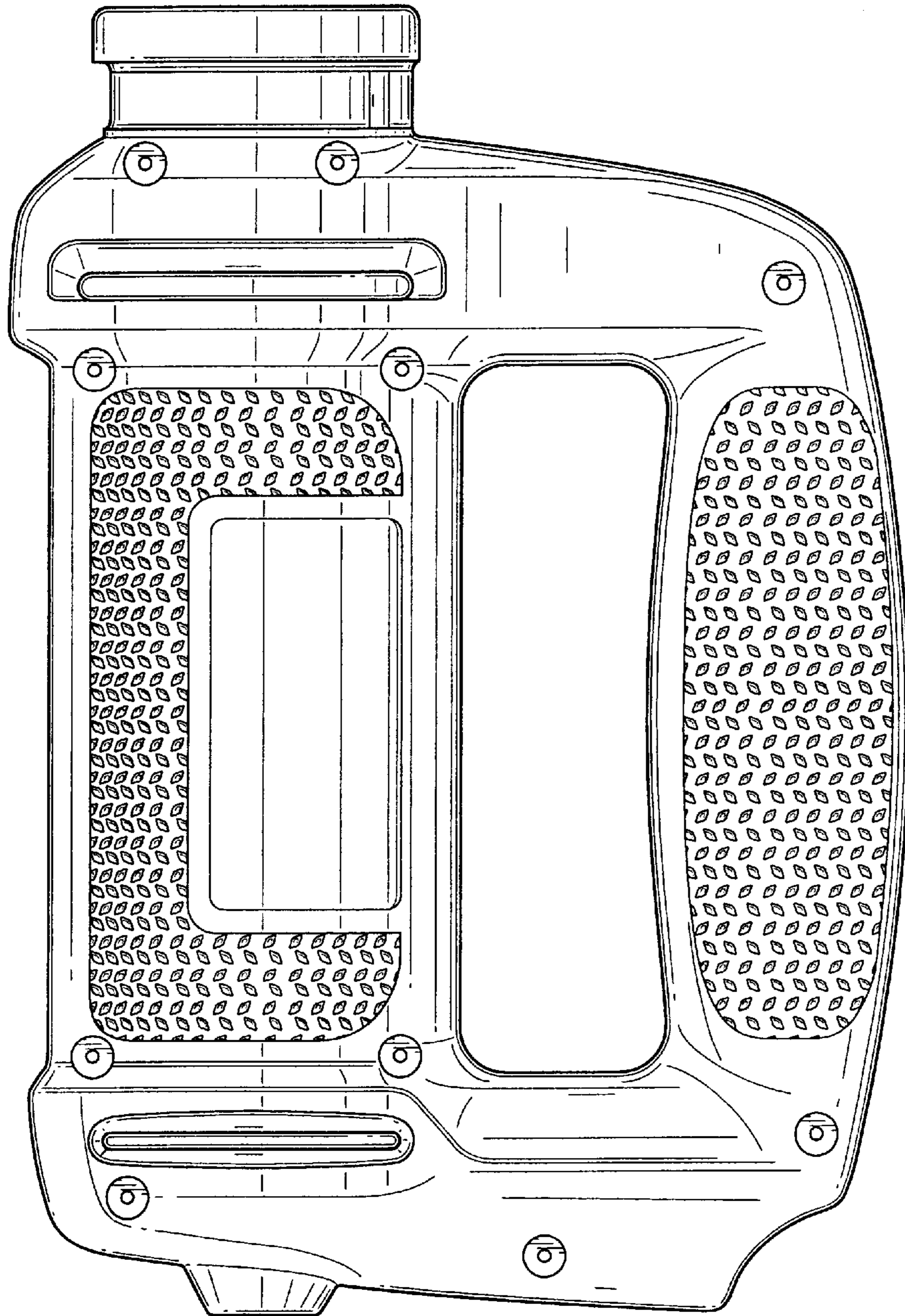


FIG. 3

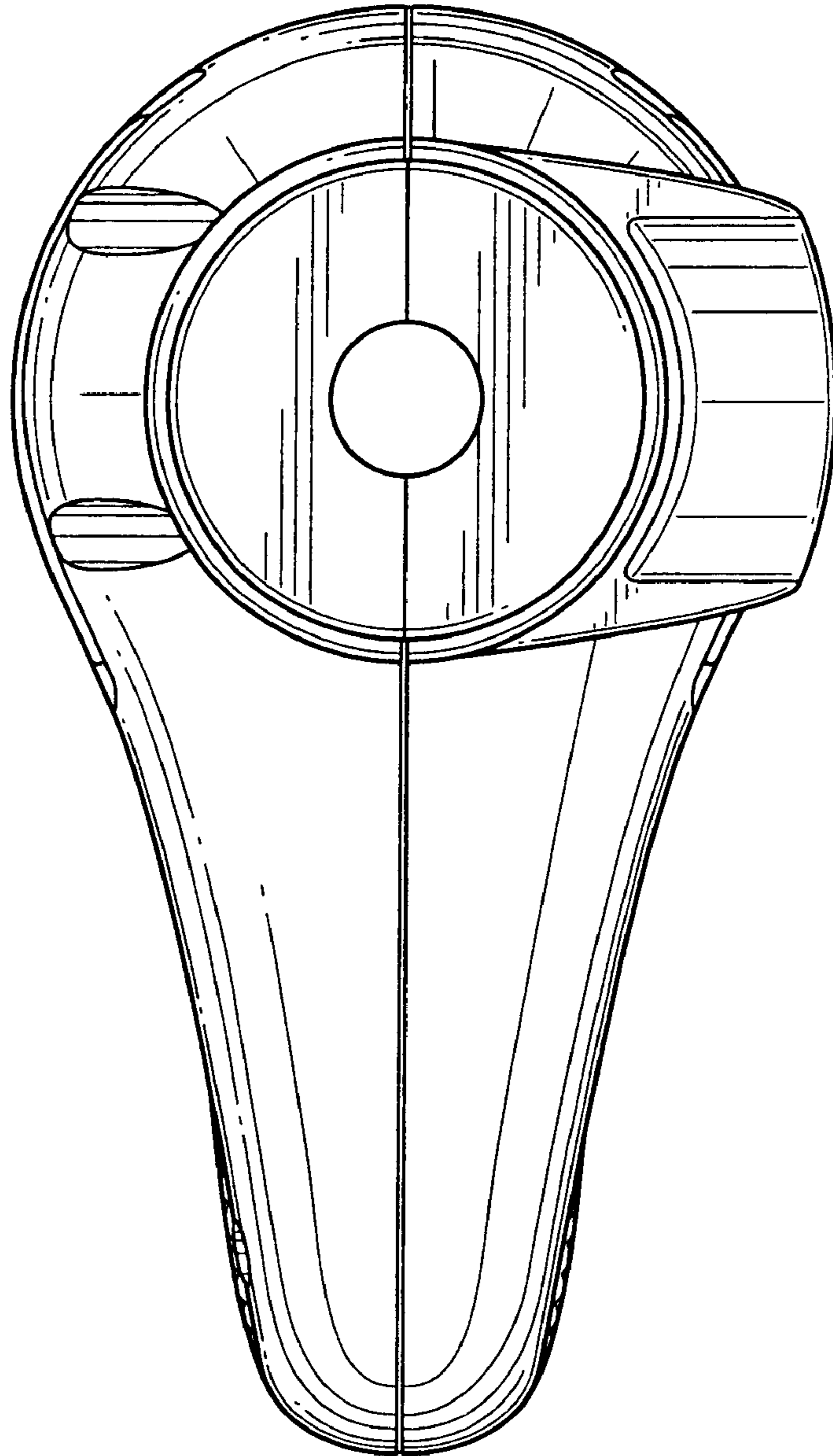


FIG. 4

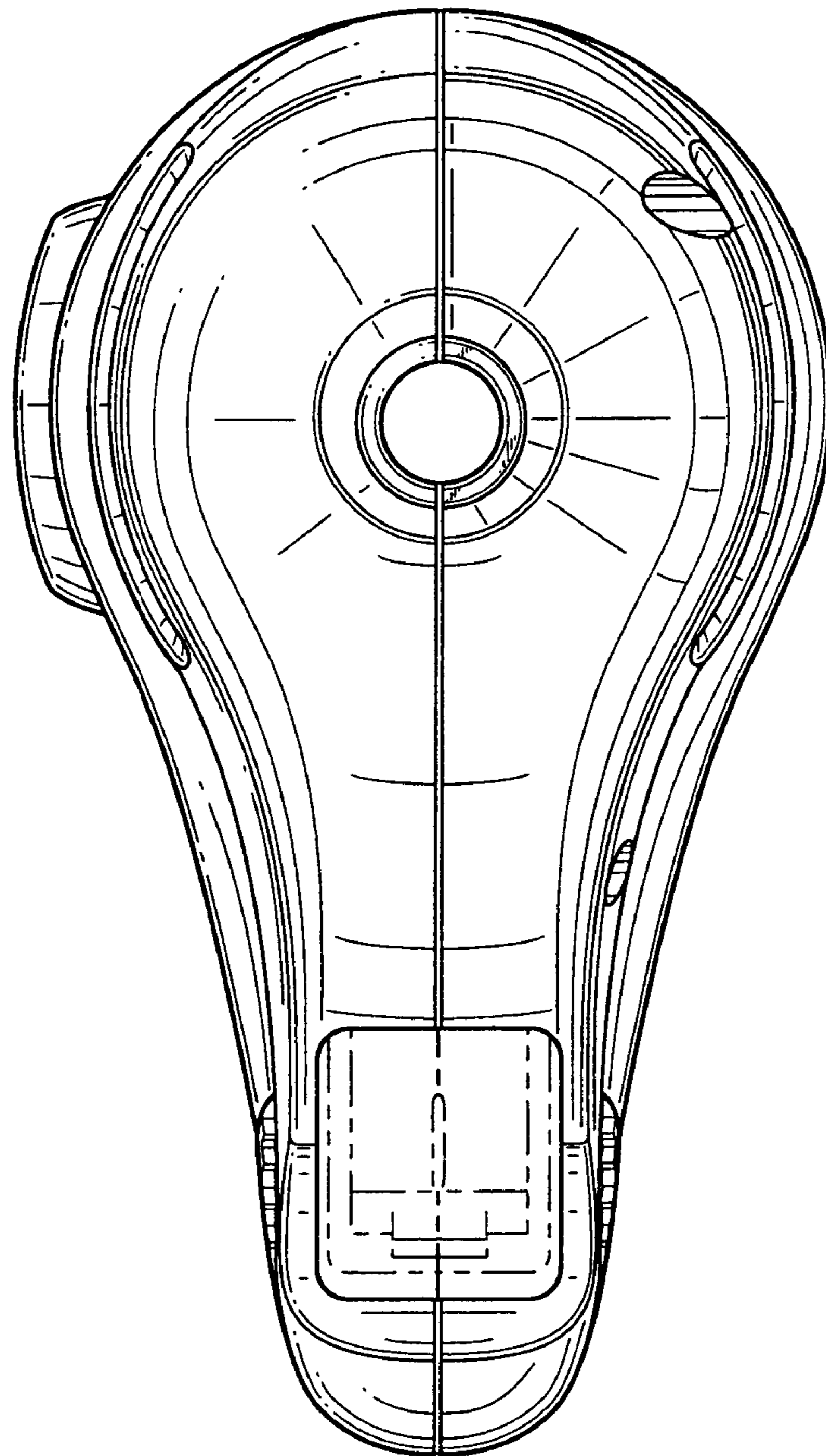


FIG. 5

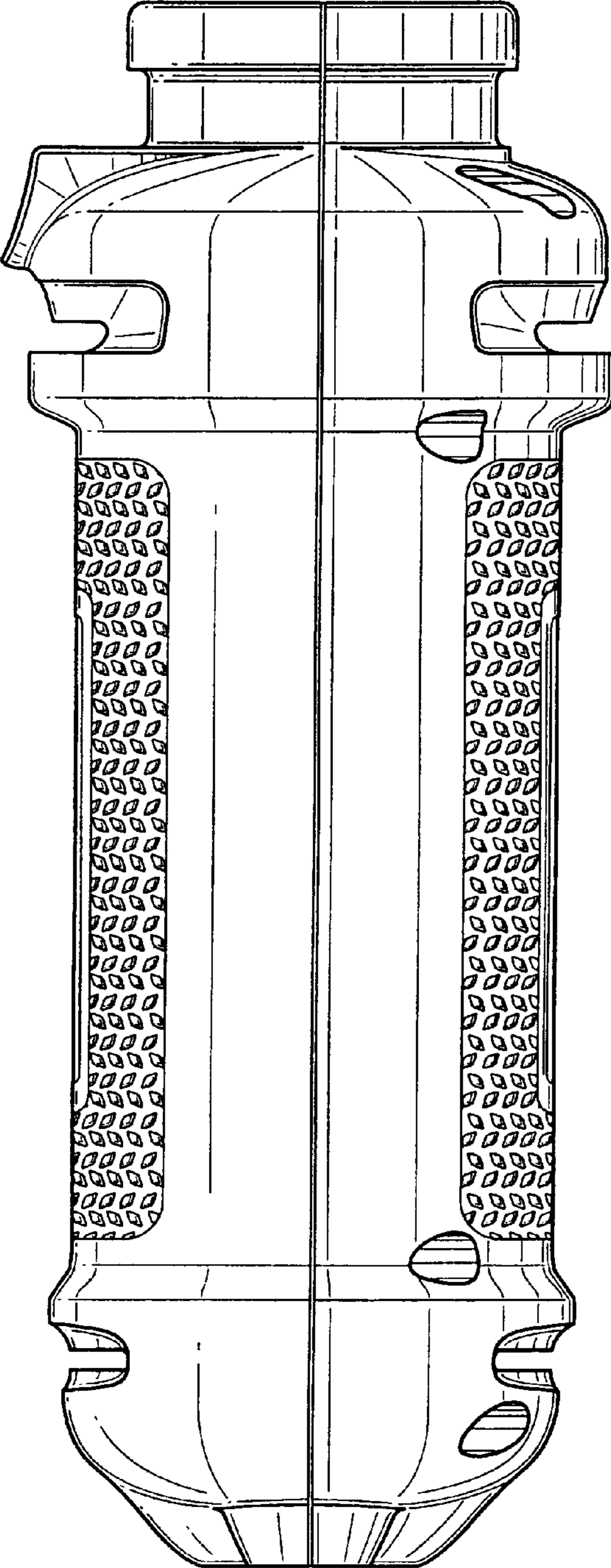


FIG. 6

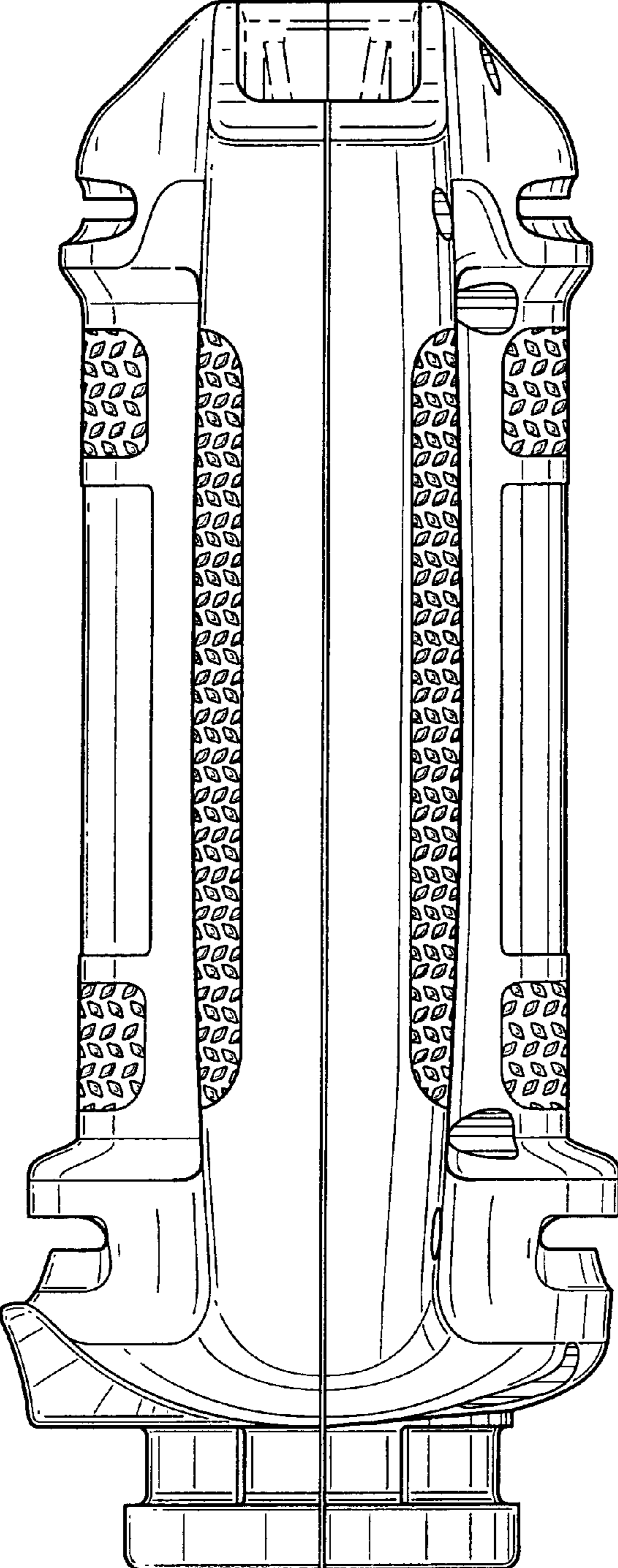


FIG. 7